

# GENUINE SPARE PARTS

## STAR 31D Model Year 2011

- Use GLOBAL GARDEN PRODUCT Genuine Spare Parts specified in the parts list for repair and/or replacement.
- The contents described in the parts list may change due to improvement.
- The drawings of the spare parts are only indicative and might not represent the part in question exactly.
- The indications "right" - "left" - "front" - "rear" refer to the position of the operator when using the machine.
- When placing orders of parts for repair and/or replacement, make sure that the illustrated parts list is the one applying to the machine's year of manufacture, as shown on the identification plate attached to the machine.

COPYRIGHT by GLOBAL GARDEN PRODUCTS

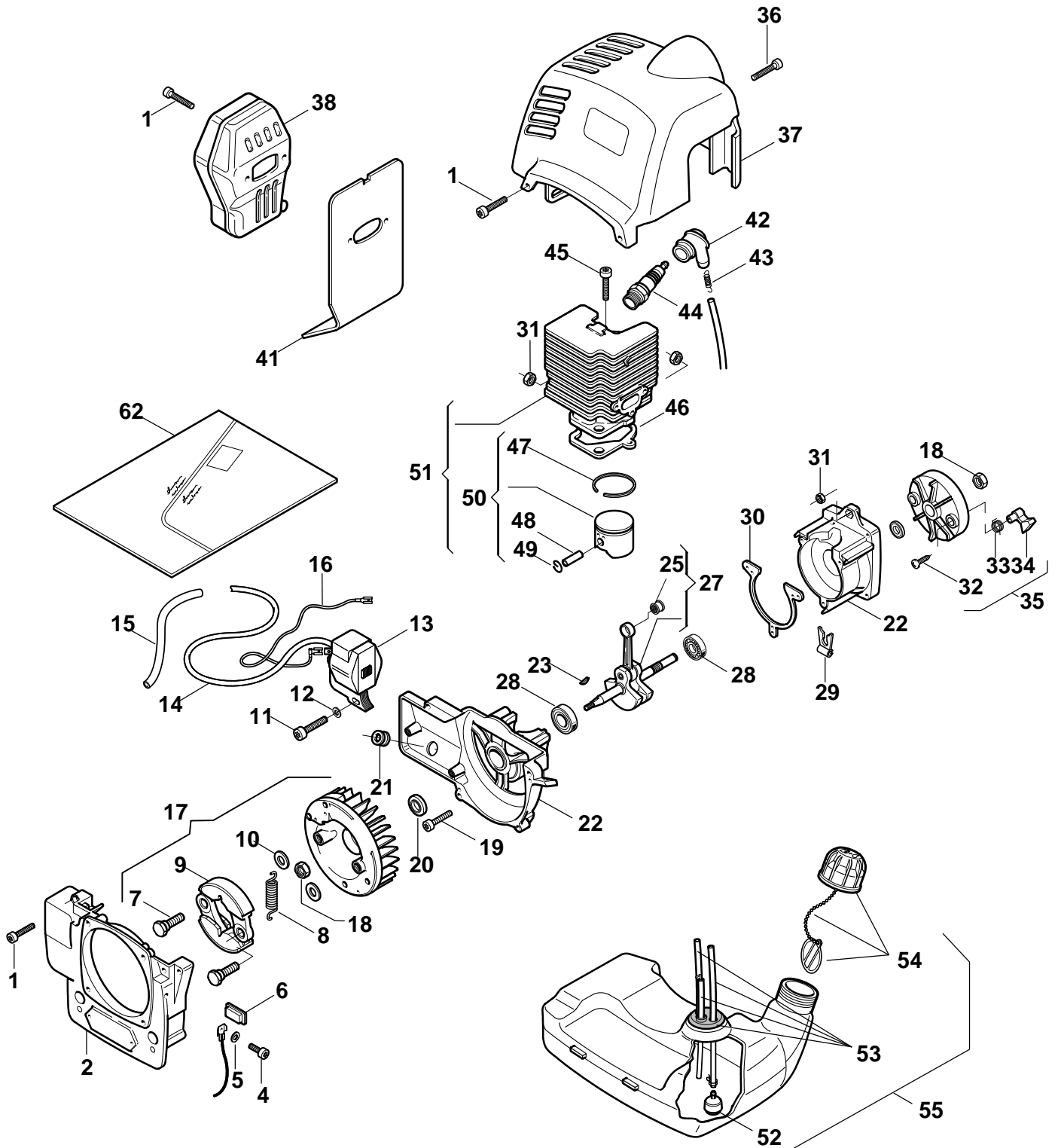
All rights reserved. No part of this material may be reproduced or transmitted, in any form or by any means, electronic or mechanical, including photocopying, recording or by any information storage and retrieval system, without permission in writing from GLOBAL GARDEN PRODUCTS.

...THINKING GREEN





STAR 31D  
Engine





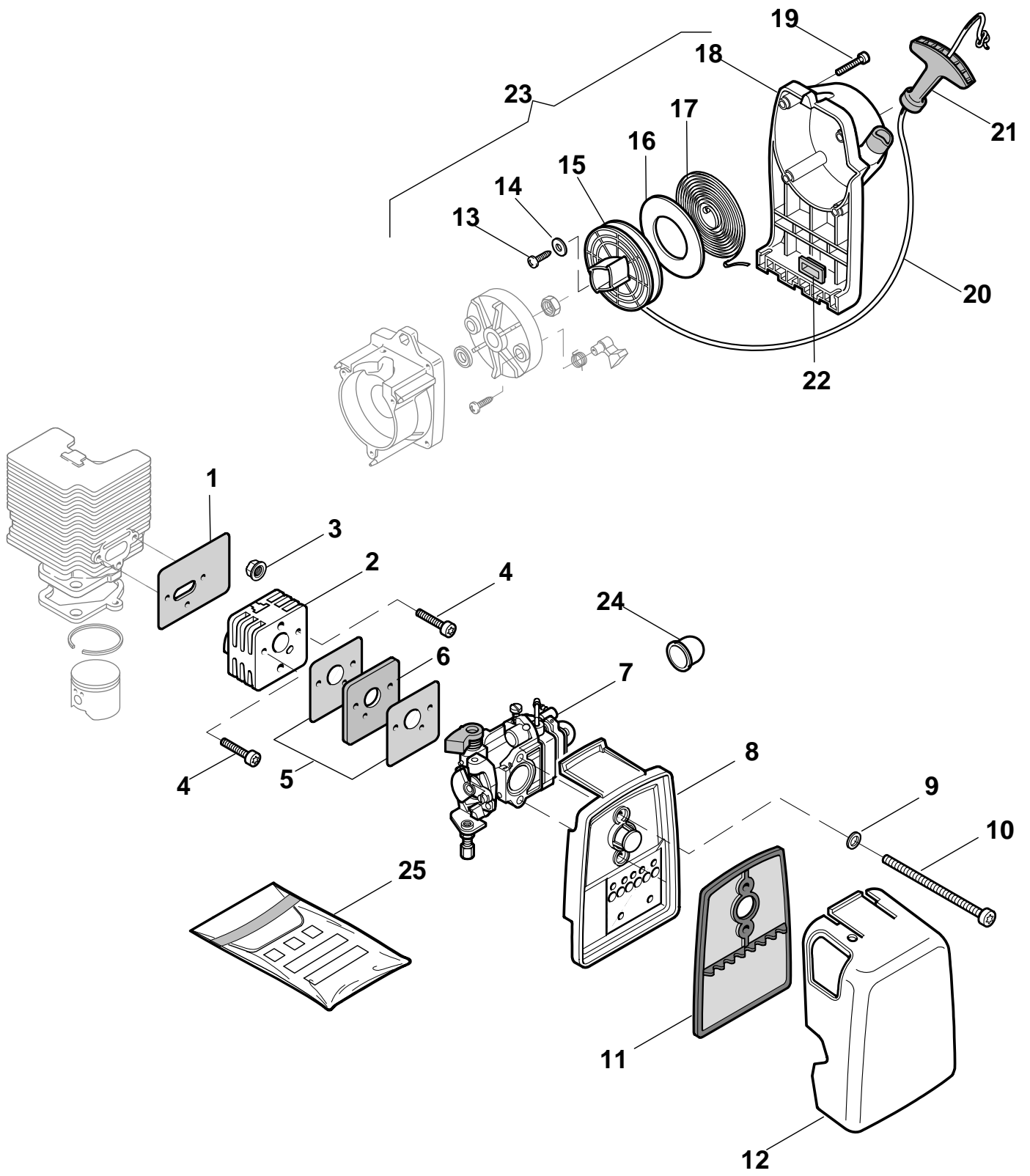
STAR 31D

**Engine**

Pos.	Part no.	Q.ty	Description	Remarks
1	2135040	2	Screw	
2	4540820	1	Transm. Support Case	
4	2132500	1	Screw	
5	2312120	1	Washer	
6	3745530	4	Grommet	
7	2653280	2	Friz.Screw	
8	3654090	1	Spring	
9	3660450	2	Clutch Unit	
10	2321100	2	Washer	
11	2132510	2	Screw	
12	2321050	2	Washer	
13	3210665	1	Electronic Coil	
14	3211080	1	Spark Plug Cable	
15	3782040	1	Wire Jacket	
16	3211410	1	Earth Cable	
17	4251470	1	Flywheel Ass.Y (Incl.7,9,10)	
18	2670120	2	Nut	
19	2135050	3	Screw	
20	3121070	2	Seal Ring	
21	3745130	1	Grommet	
22	8540680	1	Cranckase Ass.Y	
23	3151010	1	Flywheel Key	
24	3614480	2	Washer	
25	3116100	1	Needle Bearing	
26	3614891	2	Washer	
27	8250830	1	Cranckshaft (Incl.25)	
28	3112240	2	Bearing	
29	3750280	1	Massathread Guide	
30	3724031	1	Gasket	
31	2432040	5	Nut	
32	2123100	2	Screw	
33	3654050	2	Spring	
34	3749570	2	Starter Hook	
35	8540810	1	Starter Cup Ass.Y (Incl.32-34)	
36	2135030	1	Screw	
37	4563690	1	Cylinder Cover Ass.Y Yellow	
38	4122140	1	Muffler Assy	
41	3724370	1	Muffler Gasket	
42	3744850	1	Spark Plug Cover	
43	3657530	1	Spark Plug Spring	
44	3210024	1	Spark Plug	
45	2135150	2	Screw	
46	3724250	1	Cylinder Gasket	
47	3123210	1	Piston Ring X Mod. Ø 35	
48	3158220	1	Piston Pin Ø 35	
49	3356050	2	Circlip	
50	8541100/1	1	Mod.31Piston Ass.Y Ø 35 (Incl.26,47-49)	
51	8541090/1	1	D35Cylinder-Piston Ass.Y Ø 35 (Incl.50)	
52	4253290	1	Intake Filter	
53	8745541	1	Grommet Ass.Y	
54	8741370	1	Fuel Cap Ass.Y	
55	4252530	1	Fuel Tank Ass.Y (Incl.52-54)	
62	8724370	1	Gasket Set (Incl.30,41,46)	



STAR 31D  
Engine





STAR 31D

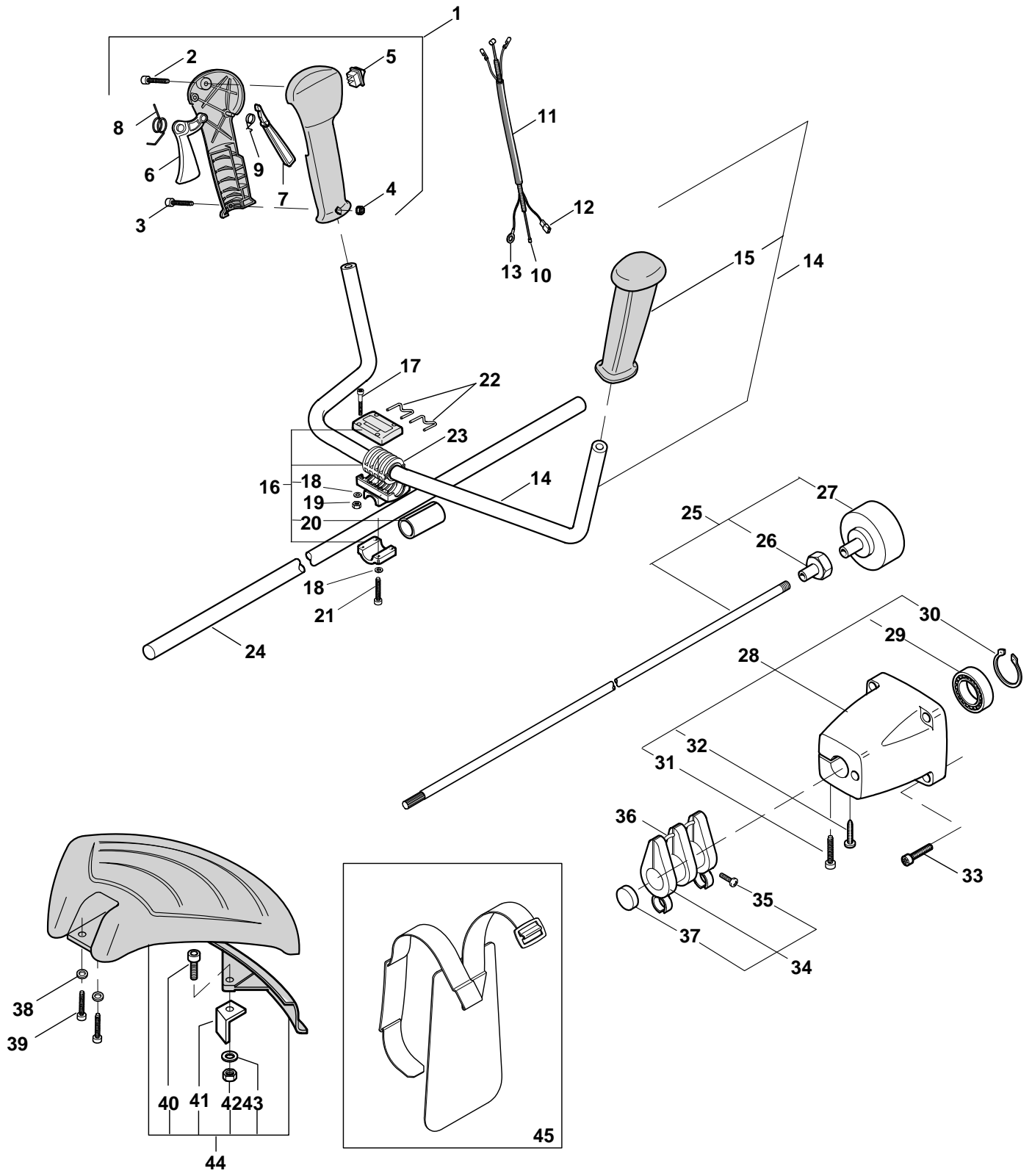
**Engine**

Pos.	Part no.	Q.ty	Description	Remarks
1	3724360	1	Intake Manif-Gasket	
2	3750410	1	Intake Manifold	
3	2670280	2	Nut	
4	2135050	2	Screw	
5	3724400	2	Gasket	
6	3785070	1	Heat Block	
7	23054009/1	1	Carburettor	
7	4353130	1	Carburettor	
8	8750430	1	Air Filter Holder	
9	2312090	3	Washer	
10	2135250	2	Screw	
11	3781630	1	Air Filter	
12	4563710	1	Filter Cover Yellow	
13	2123100	3	Screw	
14	3613420	1	Washer	
15	4562220	1	Starter Pulley	
16	3723640	1	Disc	
17	4611480	1	Spring	
18	8563700	1	Starter Recoil Case	
19	2135040	12	Screw	
20	3784030	1	Starter Cord	
21	3750067	1	Starter Handle	
22	3745530	4	Grommet	
23	4252690	1	Starter Ass.Y (Incl. 13-22)	
24	3744870	1	Primer	
25	4353150	1	Gasket-Diaph. Set	



STAR 31D

# Handle-transmission





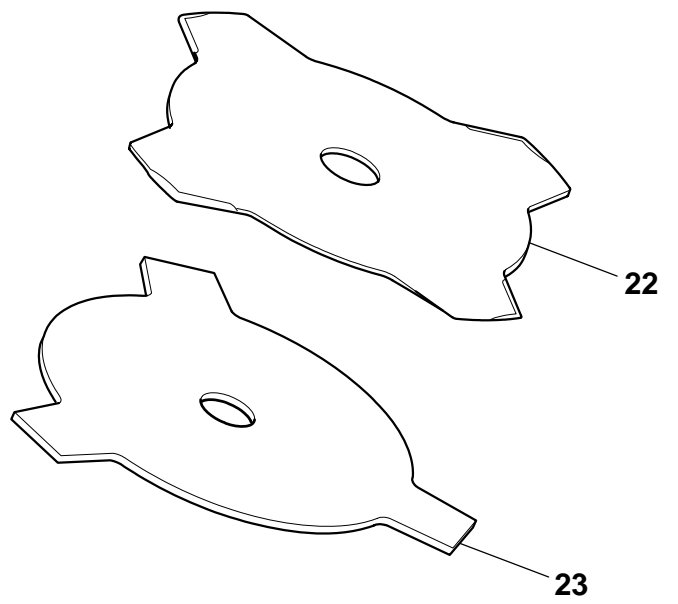
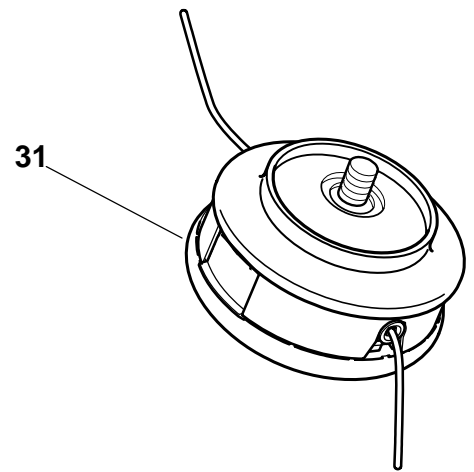
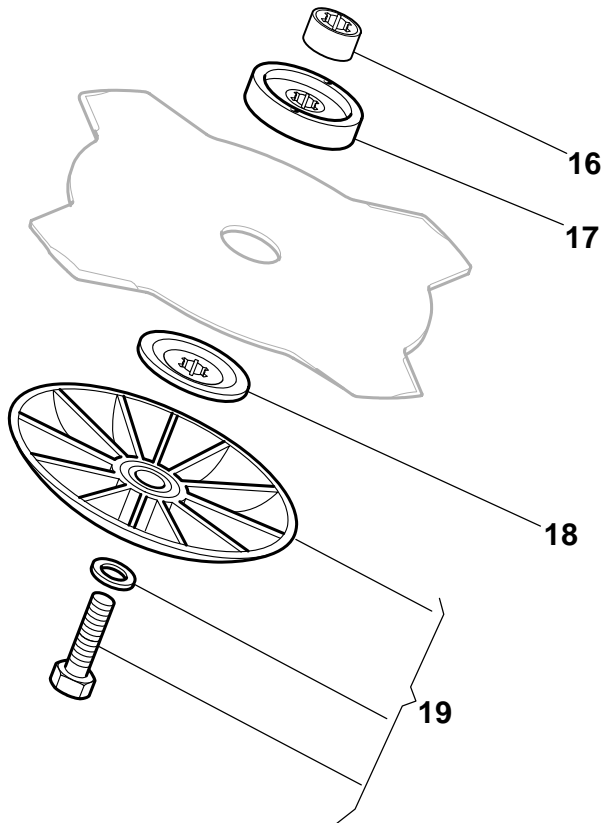
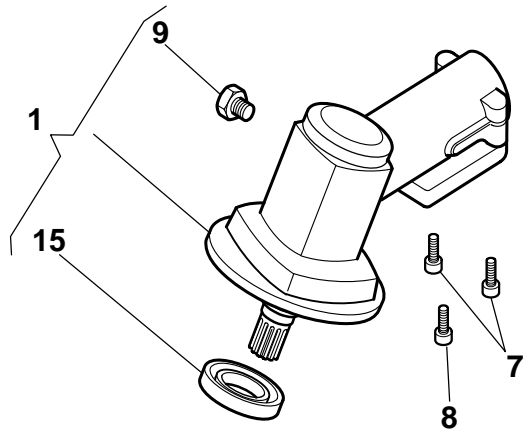
STAR 31D

**Handle-transmission**

Pos.	Part no.	Q.ty	Description	Remarks
1	8563830	1	Handle Ass.Y	
2	2123030	1	Screw	
3	2135050	1	Screw	
4	12154330/0	1	Nut	
5	3210970	1	Stop Switch	
6	3743431/1	1	Throttle Lever	
7	3743441	1	Safety Lever	
8	3654270/1	1	Spring	
9	3654280/1	1	Spring	
10	4252720	1	Wire Ass.Y	
11	3786240	1	Wire Sheath	
12	3211650	1	Coil-Switch Cable	
13	3211660	1	Earth Cable	
14	4252710/1	1	Handle Ass.Y	
15	3744860/1	1	Left Knob	
16	8250397	1	Handgrip Support Ass.Y	
17	2135120	4	Screw	
18	2312090	4	Washer	
19	12154330/0	4	Nut	
20	3721410	1	Rubber Facing	
21	2123110	4	Screw	
22	3657470	2	Handle Lock	
23	3744162	2	Grommet	
24	8251211	1	Transmission Pipe Ass.Y	
25	4251410	1	Transm.Shaft Ass.Y (Incl.26-27)	
26	3642221	1	Bearing Hub	
27	4121881/1	1	Clutch Drum	
28	8561600	1	Supp.Transm.Ass.Y (Incl.29-32)	
29	3112170	1	Bearing	
30	3353080	1	Seeger Ring	
31	2123140	2	Screw	
32	2123150	1	Screw	
33	2135160	4	Screw	
34	8562512	1	Harness Support Ass.Y	
35	2123140	4	Screw	
36	3642530	1	Pin	
37	3721410	2	Rubber Facing	
38	2312150	2	Washer	
39	2135060	2	Screw	
40	2135030	1	Screw	
41	3615000	1	Line Cutter	
42	2432040	1	Nut	
43	2312150	1	Washer	
44	8563570	1	Safety Cover Ass.Y (Incl.40-43)	
45	4253460	1	Harness	



STAR 31D  
Gear case







STAR 31D

**Gear case**

Pos.	Part no.	Q.ty	Description	Remarks
1	4252770/2	1	Gear Case Assy (Incl. 2+21) [Ø24]	
7	2135050	2	Screw	
8	2653090	1	Screw	
9	2653460	1	Screw	
15	3121180	1	Oil Seal	
16	3660680	1	Collar	
17	3641650	1	Upper Ring Nut	
18	3612650	1	Lower Ring Nut	
19	4560610	1	Stabilizer	
20	2321230	1	Washer	
21	2653170	1	Screw	
22	4611880	1	4 Teeth Disc 25 Cm	
23	6031172	1	3 Teeth Disc 25 Cm	
31	4353240/1	1	2 Hedges Nylon Head	