



Reservdelskatalog Parts Catalogue

ST 1145 E

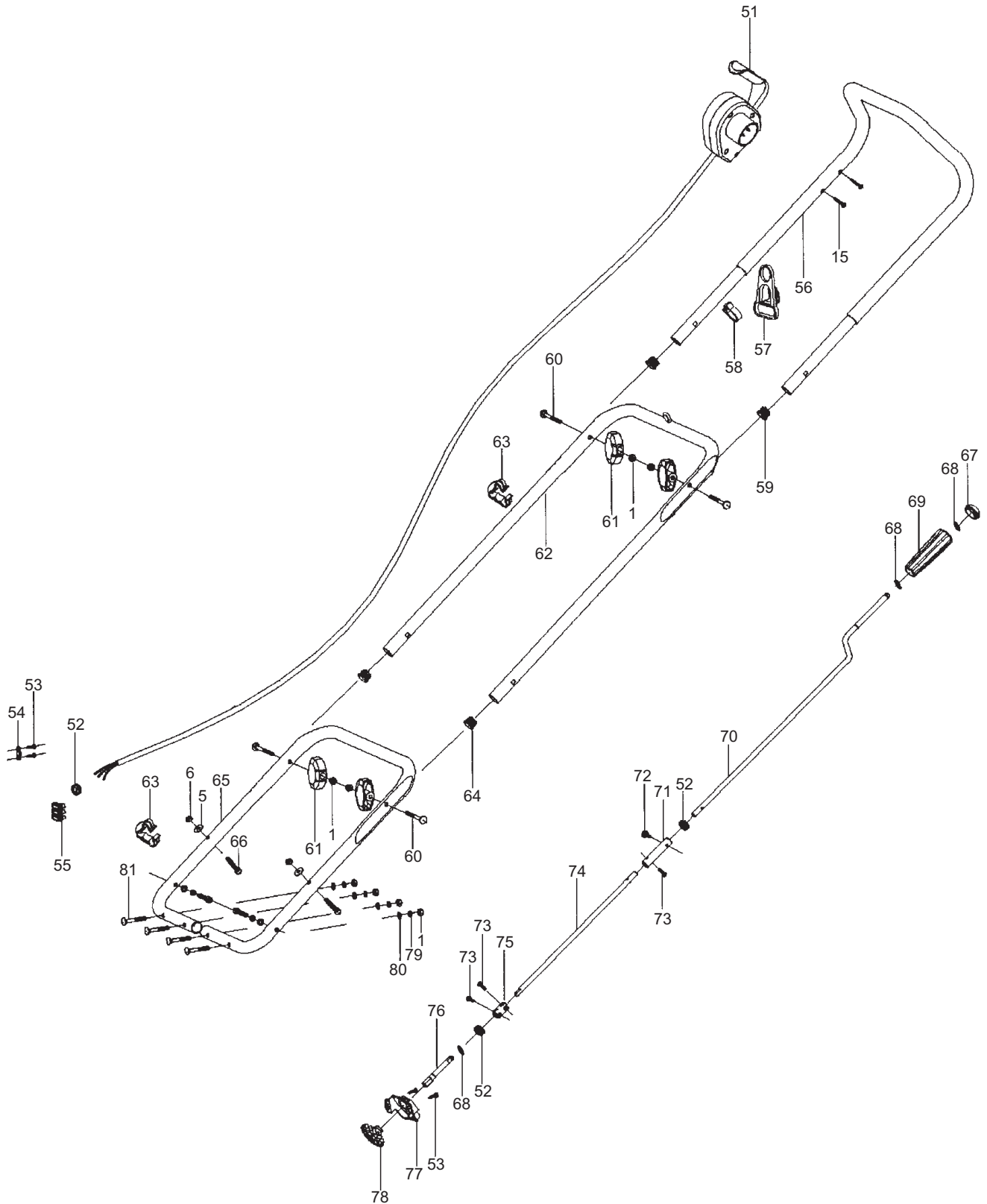
18-2802-33 - Season 2018

- Use STIGA S.p.A. Genuine Spare Parts specified in the parts list for repair and/or replacement.
 - The contents described in the parts list may change due to improvement.
 - The drawings of the spare parts are only indicative and might not represent the part in question exactly.
 - The indications "right" - "left" - "front" - "rear" refer to the position of the operator when using the machine.
- When placing orders of parts for repair and/or replacement, make sure that the illustrated parts list is the one applying to the machine's year of manufacture, as shown on the identification plate attached to the machine.

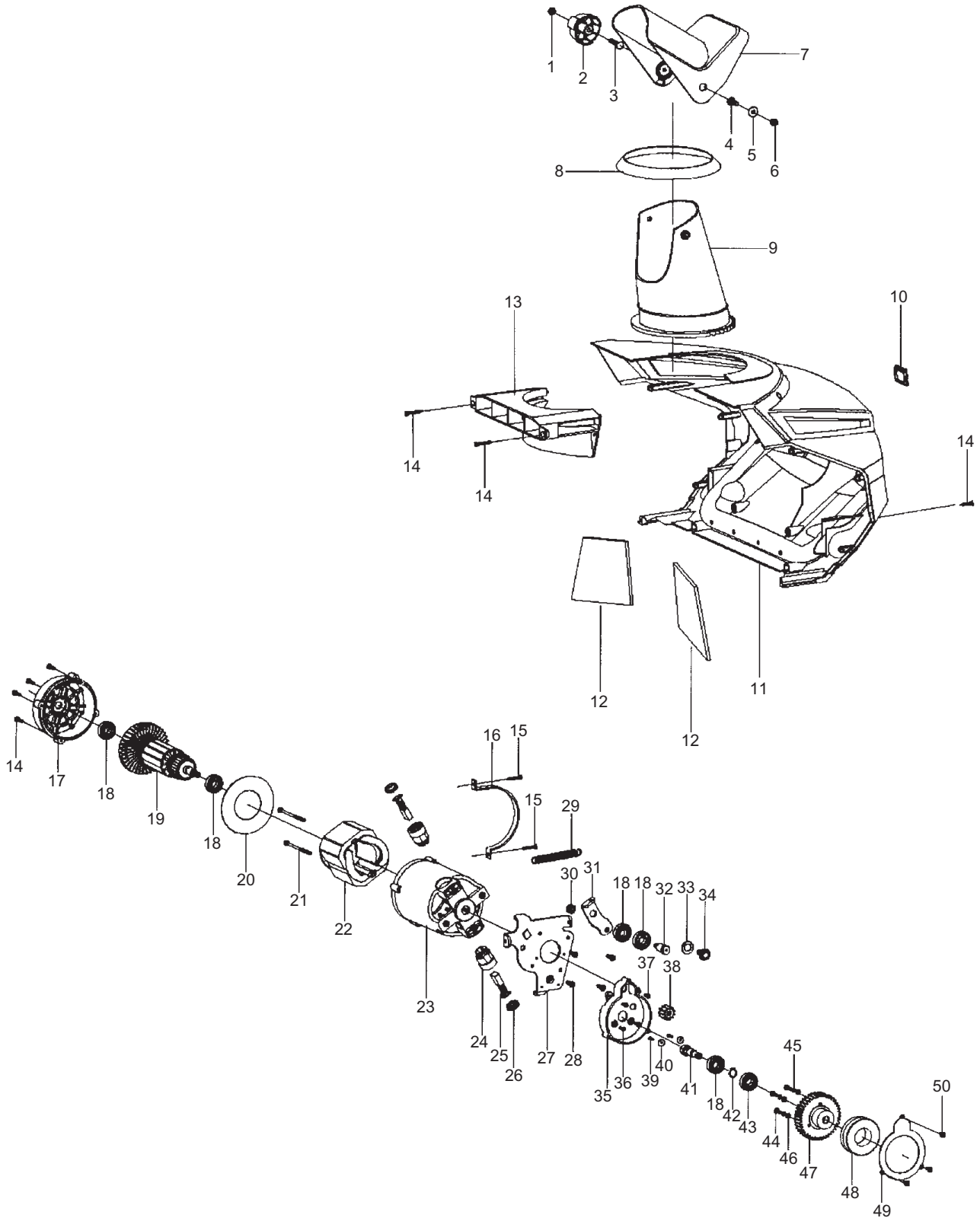
© Copyright 2018 STIGA S.p.A.

All rights reserved. No part of this material may be reproduced or transmitted, in any form or by any means, electronic or mechanical, including photocopying, recording or by any information storage and retrieval system, without permission in writing from STIGA S.p.A.

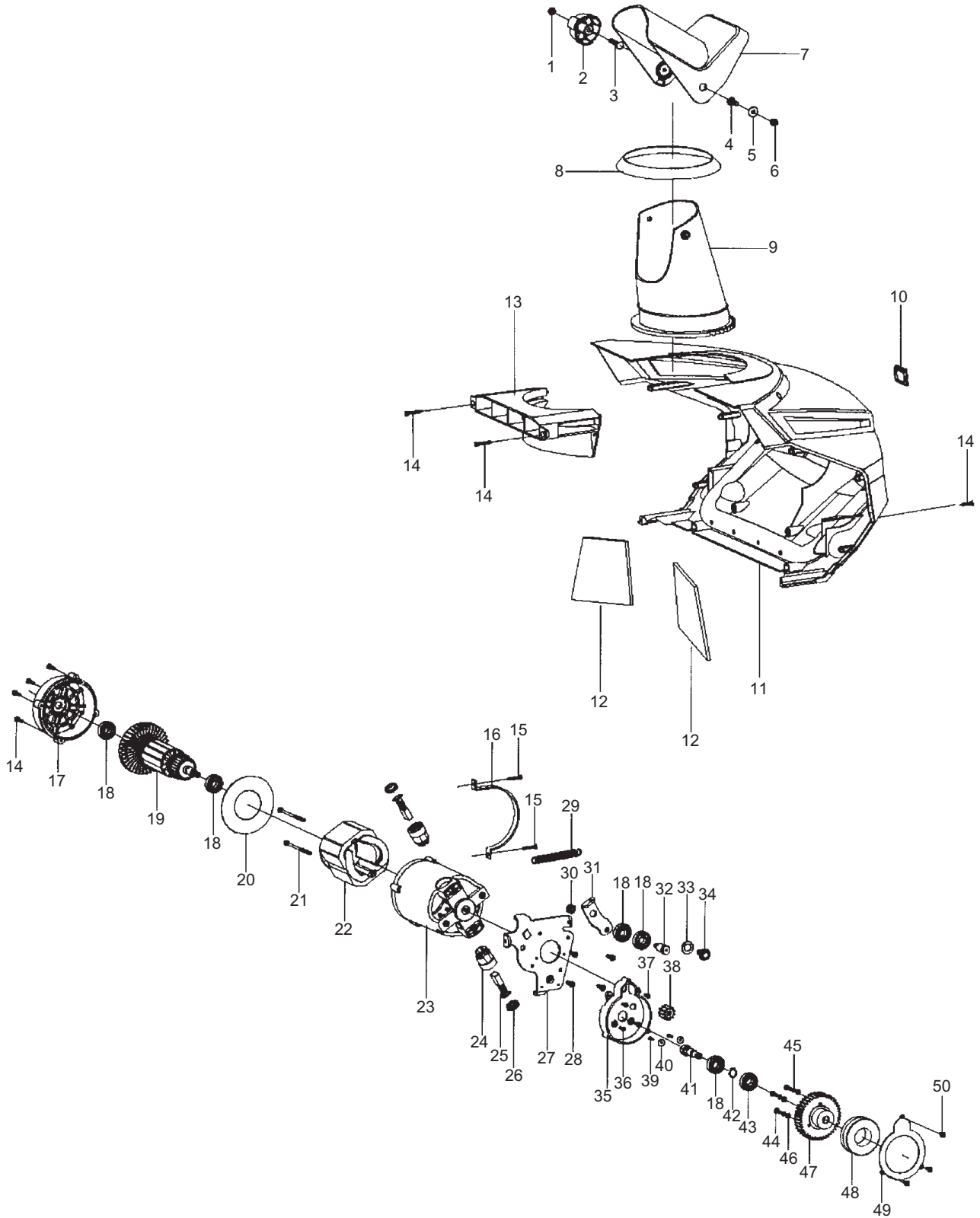
www.stiga.com



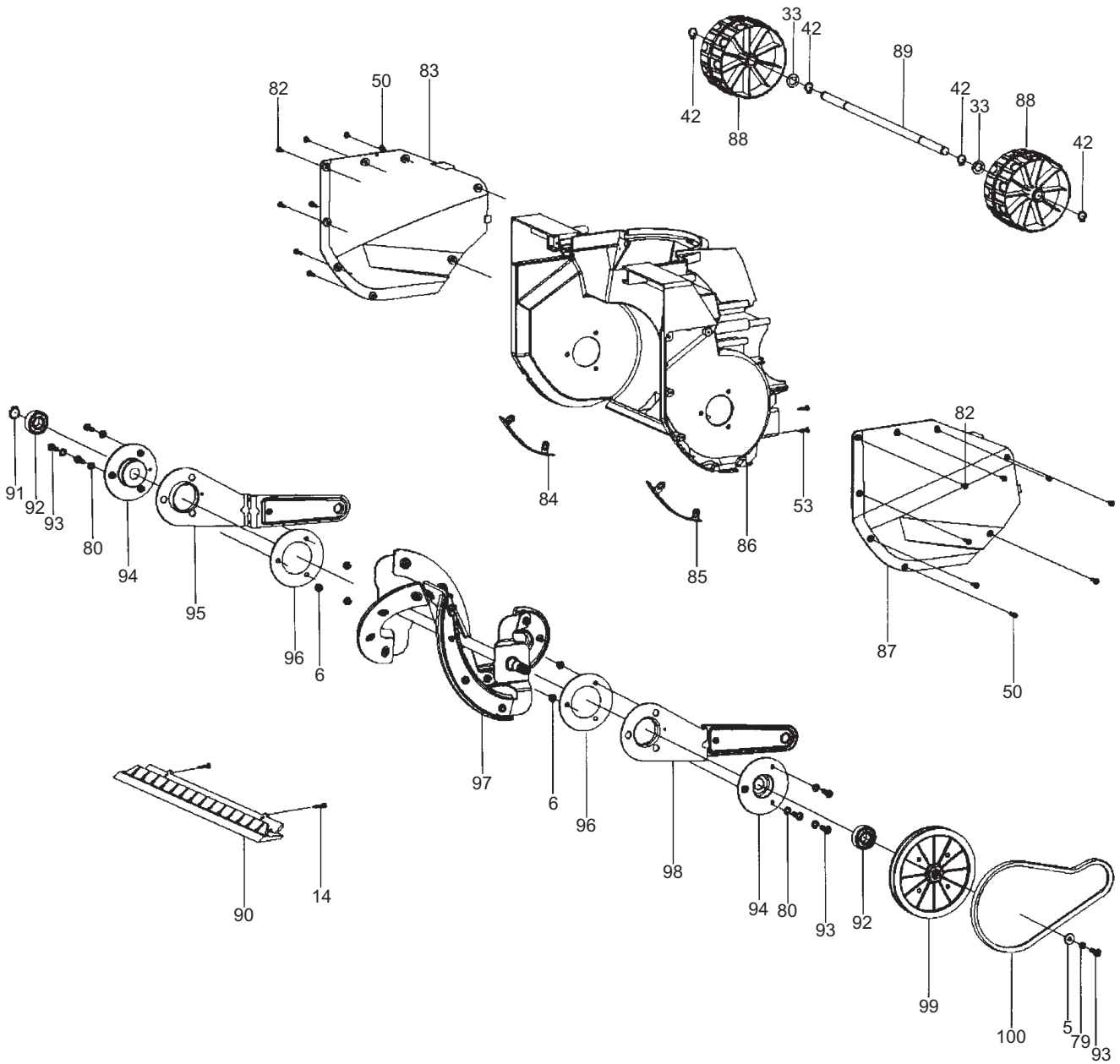
Utgåva Issue 37 - 2017		Styre, reglage		Handle, controls	
Pos. Fig.	Antal Q.ty	Art nr Part No	Benämning	Description	Anmärkning Notes
1	8	9799-0631-02	Mutter	Nut	
5	2	1811-2652-01	Bricka	Washer	
6	2	9799-0631-02	Mutter	Nut	
15	2	9847-7925-16	Skruv	Screw	
51	1	1811-2657-01	Brytare	Wire	
52	3	1811-2611-01	Gummiring	Rubber ring	
53	2	9847-7916-16	Skruv	Screw	
54	1	1811-2665-01	Wireklämma	Wire Clamp	
55	1	1811-2656-01	Anslutningsplint	Terminal	
56	1	1811-2620-02	Handle	Handle	
57	1	1811-2661-01	Dragavlastare-kabel	Cord hook	
58	1	1811-2664-01	Klämring	Clamp ring	
59	2	1811-2663-01	Plugg	Plug	
60	4	1811-2666-01	Vagnsbult	Carriage bolt	
61	4	1811-2658-01	Handtag	Knob	
62	1	1811-2619-02	Styre-mellan	Frame-middle	
63	2	1811-2660-01	Wireklämma	Wire Clamp	
64	2	1811-2662-01	Plugg	Plug	
65	1	1811-2618-02	Styre-nedre	Frame-lower	
66	4	9997-0630-12	Skruv	Screw	
67	1	1811-2617-01	Handtagslock	Rocking handle cover	
68	3	1811-2667-01	Lasring	Circlip for shaft	
69	1	1811-2616-01	Handtag	Rocking handle	
70	1	1811-2615-01	Inställningsvev	Rocking shaft	
71	1	1811-2614-01	Förbindning	Connecting suite	
72	1	1811-2643-01	Skruv	Screw	
73	3	9941-0416-16	Skruv	Screw	
74	1	1811-2613-01	Förbindningsstang	Connecting Rod	
75	1	1811-2612-01	Led	Shaft joint	
76	1	1811-2610-01	Inställningsaxel	Direction turn shaft	
77	1	1811-2609-01	Drevfäste	Gear bracket	
78	1	1811-2608-01	Drev	Gear	
79	4	9683-0025-02	Bricka	Washer	
80	4	9699-0025-02	Bricka	Washer	
81	4	9898-0645-12	Skruv	Screw	



Utgåva Issue 37 - 2017		Kapor, elmotor		Covers, el.motor	
Pos. Fig.	Antal Q.ty	Art nr Part No	Benämning	Description	Anmärkning Notes
1	1	9799-0631-02	Mutter	Nut	
2	1	1811-2601-01	Justerratt	Knob	
3	1	9898-0635-12	Skruv	Screw	
4	1	9898-0620-16	Skruv	Screw	
5	1	1811-2653-01	Bricka	Washer	
6	1	9799-0631-02	Mutter	Nut	
7	1	1811-2600-02	Utkastdeflektor	Discharge chute cover	
8	1	1811-2646-01	Tätningring	Seal ring	
9	1	1811-2599-02	Utkaströr	Discharge chute	
10	1	1811-2597-01	Dekorationsstrip	Decoration strip	
11	1	1811-2602-03	Kapa	Derk	
12	2	1811-2644-01	Dämpning	Sponge	
13	1	1811-2596-01	Fästplatta	Fixed plate	
14	14	9847-7919-16	Skruv	Screw	
15	5	9847-7925-16	Skruv	Screw	
16	1	1811-2641-01	Motorfästbygel	Motor fixed clamp	
17	1	1811-2651-01	Motorgavel	Motor shroud	
18	5	9549-0043-00	Kullager	Ball Bearing	
19	1	1811-2648-01	Rotor	Rotor	
20	1	1811-2645-01	Luftledning	Wind-guide ring	
21	2	1811-2670-01	Skruv	Screw	
22	1	1811-2649-01	Stator	Stator	
23	1	1811-2650-01	Motorhus	Motor shroud	
24	2	1811-2654-01	Borsthallare	Brush holder	
25	2	1811-2647-01	Borste	Brush	
26	2	1811-2655-01	Borsthallarlock	Brush holder cover	
27	1	1811-2628-01	Växelladsplat	Speed changing brkt	
28	4	9847-8016-16	Skruv	Screw	
29	1	1811-2632-01	Fjäder	Spring	
30	1	9799-0831-02	Mutter	Nut	
31	1	1811-2629-01	Spännarm	Tensioning bracket	
32	1	1811-2631-01	Spännhjulsaxel	Tension wheel shaft	
33	1	1811-2626-01	Bricka	Washer	
34	1	1811-2630-01	Bult	Tensioning shaft bolt	
35	1	1811-2637-01	Växellada	Gearbox	
36	2	1811-2668-01	Skruv	Screw	
37	2	9941-0408-16	Skruv	Screw	
38	1	1811-2633-01	Drev-litet	Gear-small	
39	2	9847-7709-16	Skruv	Screw	
40	2	1811-2659-01	Bricka	Washer	
41	1	1811-2636-01	Axel	Shaft	
42	1	9652-0012-04	Circlip	Circlip	
43	1	1811-2671-01	Kullager	Ball Bearing	
44	3	9941-0410-16	Skruv	Screw	
45	3	9683-0010-02	Bricka	Washer	
46	3	9699-0021-02	Bricka	Washer	
47	1	1811-2634-01	Drev-stort	Gear-big	
48	1	1811-2635-01	Remskiva-liten	Belt wheel-big	
49	1	1811-2638-01	Växelladslock	Gearbox cover	



Utgåva Issue 37 - 2017		Kapor, elmotor Covers, el.motor			
Pos. Fig.	Antal Q.ty	Art nr Part No	Benämning	Description	Anmärkning Notes
50	4	1811-2669-01	Skruv	Screw	



Utgåva Issue 37 - 2017		Inmatningshus, snöskruv		Housing, auger	
Pos. Fig.	Antal Q.ty	Art nr Part No	Benämning	Description	Anmärkning Notes
5	1	1811-2653-01	Bricka	Washer	
6	6	9799-0631-02	Mutter	Nut	
14	2	9847-7919-16	Skruv	Screw	
33	2	1811-2626-01	Bricka	Washer	
42	4	9652-0012-04	Circlip	Circlip	
50	11	1811-2669-01	Skruv	Screw	
53	6	9847-7916-16	Skruv	Screw	
79	3	9683-0025-02	Bricka	Washer	
80	8	9699-0025-02	Bricka	Washer	
82	4	9847-7909-16	Skruv	Screw	
83	1	1811-2604-01	Sidoplat-hö	Cover-RH	
84	1	1811-2606-01	Slitskydd-hö	Wearing plate-RH	
85	1	1811-2605-01	Slitskydd-vä	Wearing plate-LH	
86	1	1811-2598-01	Inmatningshus	Snow bucket	
87	1	1811-2603-01	Sidoplat-vä	Cover-LH	
88	2	1811-2627-01	Hjul	Wheel	
89	1	1811-2625-01	Hjulaxel	Wheel Shaft	
90	1	1811-2607-01	Skrapskär	Snow shoveling plate	
91	1	9652-0015-04	Lasring	Circlip	
92	2	9549-0044-00	Kullager	Ball Bearing	
93	7	9947-0616-16	Skruv	Screw	
94	2	1811-2623-01	Lagerhallare	Bearing	
95	1	1811-2622-01	Stödplat-hö	Supporting plate, Right	
96	2	1811-2624-01	Klämmlatta	Clamp plate	
97	1	1811-2642-01	Snöskruv kpl	Auger	
98	1	1811-2621-01	Stödplat-vä	Supporting plate, Left	
99	1	1811-2640-01	Remskiva-stor	Belt wheel-big	
100	1	1811-2639-01	Drivrem	Belt	

code	pos.	q.ty	page				
	99	1	p. 3	1811-2659-01	40	2	p. 5
	13	1	p. 5	1811-2660-01	63	2	p. 3
1811-2596-01	13	1	p. 5	1811-2661-01	57	1	p. 3
1811-2597-01	10	1	p. 5	1811-2662-01	64	2	p. 3
1811-2598-01	86	1	p. 9	1811-2663-01	59	2	p. 3
1811-2599-02	9	1	p. 5	1811-2664-01	58	1	p. 3
1811-2600-02	7	1	p. 5	1811-2665-01	54	1	p. 3
1811-2601-01	2	1	p. 5	1811-2666-01	60	4	p. 3
1811-2602-03	11	1	p. 5	1811-2667-01	68	3	p. 3
1811-2603-01	87	1	p. 9	1811-2668-01	36	2	p. 5
1811-2604-01	83	1	p. 9	1811-2669-01	50	4	p. 7
1811-2605-01	85	1	p. 9	1811-2669-01	50	11	p. 9
1811-2606-01	84	1	p. 9	1811-2670-01	21	2	p. 5
1811-2607-01	90	1	p. 9	1811-2671-01	43	1	p. 5
1811-2608-01	78	1	p. 3	9549-0043-00	18	5	p. 5
1811-2609-01	77	1	p. 3	9549-0044-00	92	2	p. 9
1811-2610-01	76	1	p. 3	9652-0012-04	42	1	p. 5
1811-2611-01	52	3	p. 3	9652-0012-04	42	4	p. 9
1811-2612-01	75	1	p. 3	9652-0015-04	91	1	p. 9
1811-2613-01	74	1	p. 3	9683-0010-02	45	3	p. 5
1811-2614-01	71	1	p. 3	9683-0025-02	79	3	p. 9
1811-2615-01	70	1	p. 3	9683-0025-02	79	4	p. 3
1811-2616-01	69	1	p. 3	9699-0021-02	46	3	p. 5
1811-2617-01	67	1	p. 3	9699-0025-02	80	4	p. 3
1811-2618-02	65	1	p. 3	9699-0025-02	80	8	p. 9
1811-2619-02	62	1	p. 3	9799-0631-02	1	1	p. 5
1811-2620-02	56	1	p. 3	9799-0631-02	1	8	p. 3
1811-2621-01	98	1	p. 9	9799-0631-02	6	1	p. 5
1811-2622-01	95	1	p. 9	9799-0631-02	6	2	p. 3
1811-2623-01	94	2	p. 9	9799-0631-02	6	6	p. 9
1811-2624-01	96	2	p. 9	9799-0831-02	30	1	p. 5
1811-2625-01	89	1	p. 9	9847-7709-16	39	2	p. 5
1811-2626-01	33	1	p. 5	9847-7909-16	82	4	p. 9
1811-2626-01	33	2	p. 9	9847-7916-16	53	2	p. 3
1811-2627-01	88	2	p. 9	9847-7916-16	53	6	p. 9
1811-2628-01	27	1	p. 5	9847-7919-16	14	2	p. 9
1811-2629-01	31	1	p. 5	9847-7919-16	14	14	p. 5
1811-2630-01	34	1	p. 5	9847-7925-16	15	2	p. 3
1811-2631-01	32	1	p. 5	9847-7925-16	15	5	p. 5
1811-2632-01	29	1	p. 5	9847-8016-16	28	4	p. 5
1811-2633-01	38	1	p. 5	9898-0620-16	4	1	p. 5
1811-2634-01	47	1	p. 5	9898-0635-12	3	1	p. 5
1811-2635-01	48	1	p. 5	9898-0645-12	81	4	p. 3
1811-2636-01	41	1	p. 5	9941-0408-16	37	2	p. 5
1811-2637-01	35	1	p. 5	9941-0410-16	44	3	p. 5
1811-2638-01	49	1	p. 5	9941-0416-16	73	3	p. 3
1811-2639-01	100	1	p. 9	9947-0616-16	93	7	p. 9
1811-2640-01	99	1	p. 9	9997-0630-12	66	4	p. 3
1811-2641-01	16	1	p. 5				
1811-2642-01	97	1	p. 9				
1811-2643-01	72	1	p. 3				
1811-2644-01	12	2	p. 5				
1811-2645-01	20	1	p. 5				
1811-2646-01	8	1	p. 5				
1811-2647-01	25	2	p. 5				
1811-2648-01	19	1	p. 5				
1811-2649-01	22	1	p. 5				
1811-2650-01	23	1	p. 5				
1811-2651-01	17	1	p. 5				
1811-2652-01	5	2	p. 3				
1811-2653-01	5	1	p. 5				
1811-2653-01	5	1	p. 9				
1811-2654-01	24	2	p. 5				
1811-2655-01	26	2	p. 5				
1811-2656-01	55	1	p. 3				
1811-2657-01	51	1	p. 3				
1811-2658-01	61	4	p. 3				