



[www.stiga.com](http://www.stiga.com)

# Illustrated Parts List

**for model:**

**ST 3255 P**

**18-2859-32**

- Use GLOBAL GARDEN PRODUCT genuine spare parts specified in the parts list for repair and/or replacement.
- Then contents described in the parts list may change due to improvement.
- The drawings of the spare part are only indicative and might not represent the part in question exactly.
- The indications "right" - "left" - "front" - "rear" refer to the position of the operator when using the machine.
- When placing orders of parts for repair and/or replacement, make sure that the illustrated parts list is the one applying to the machine's year of manufacture, as shown on the identification plate attached to the machine.

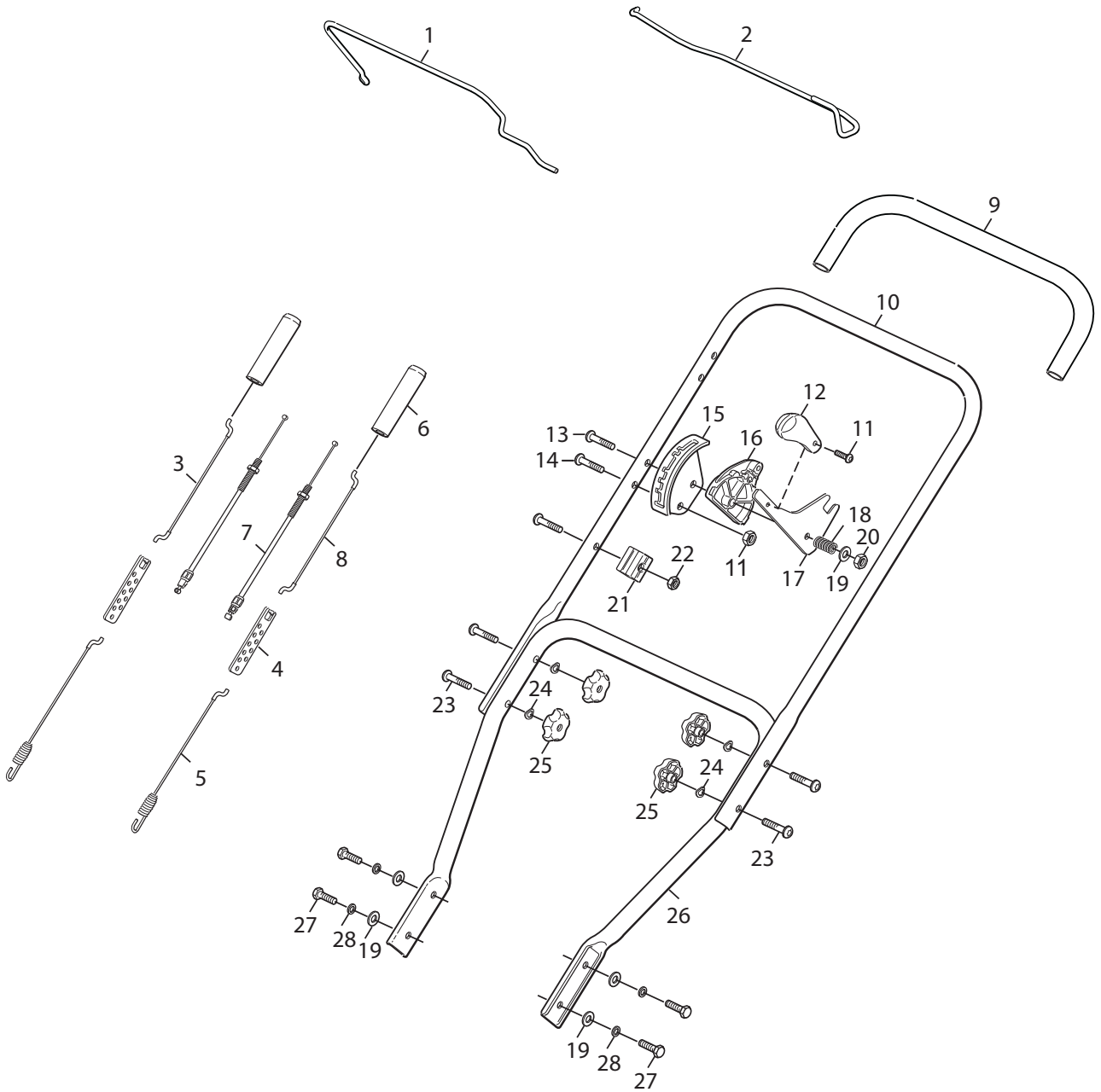
© Copyright 2014 Global Garden Products

All content is subject to copyright by Global Garden Products and may not be reproduced in whole or in part by any means, electronic or otherwise, without prior written approval.

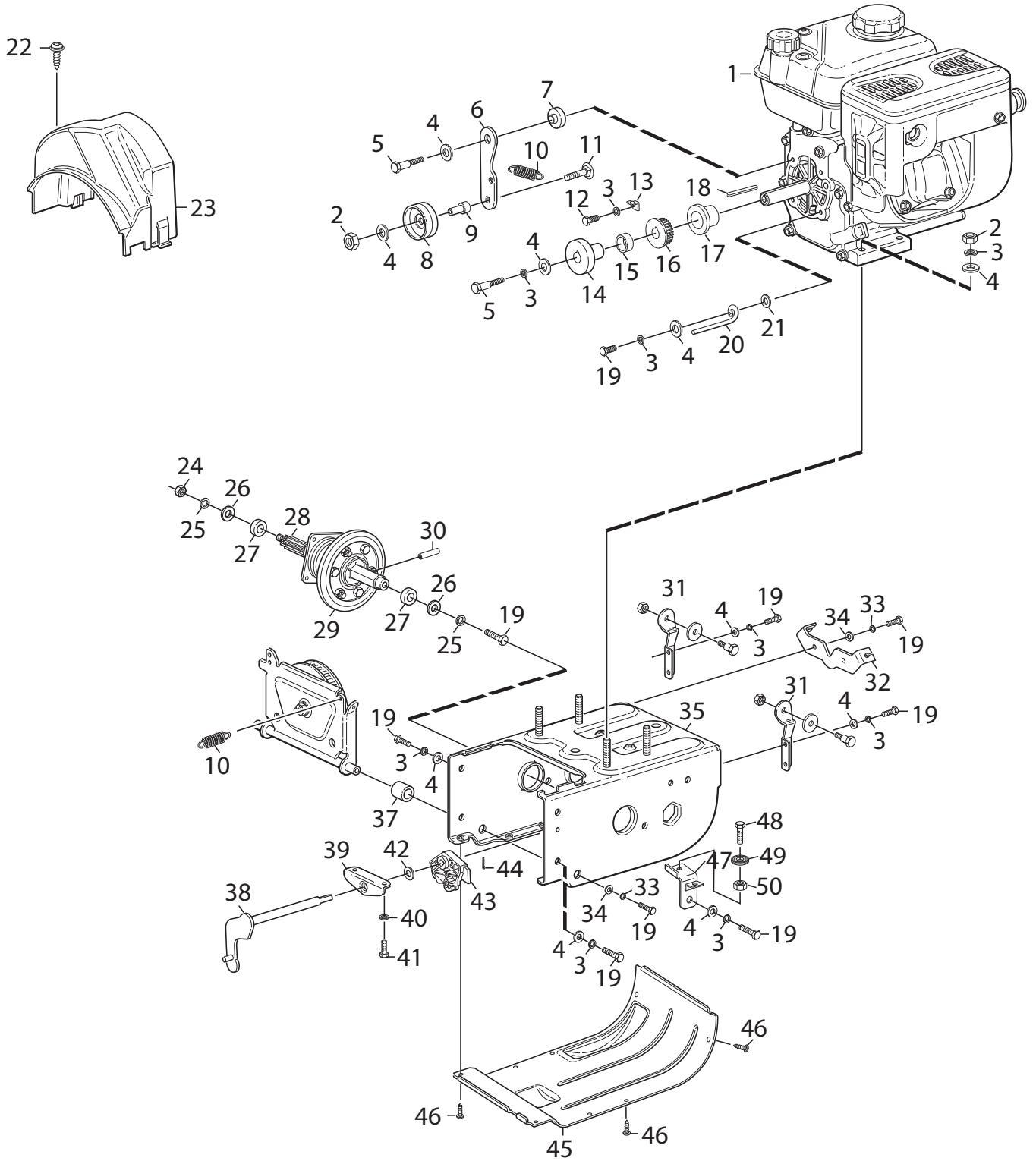
THIS INFORMATION IS NOT INTENDED FOR SALE OR RESALE, AND THIS NOTICE MUST REMAIN ON ALL COPIES.

[www.ggp-group.com](http://www.ggp-group.com)

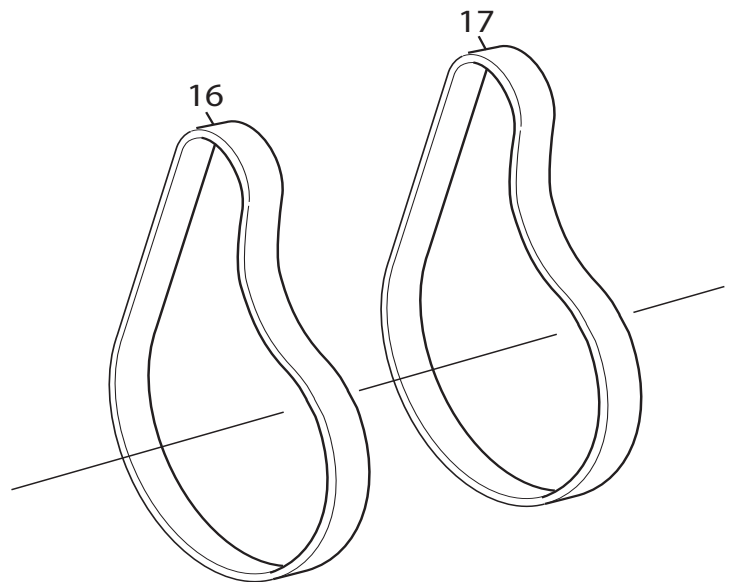
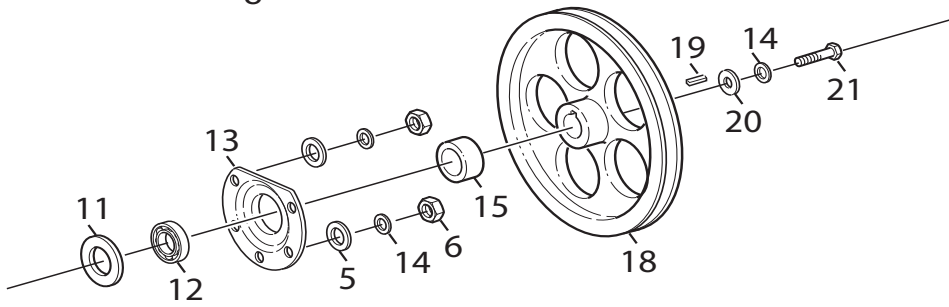
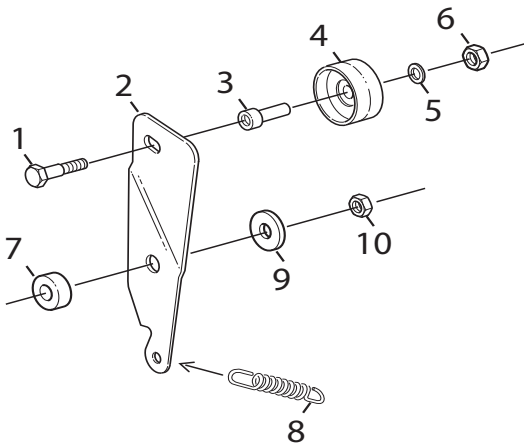




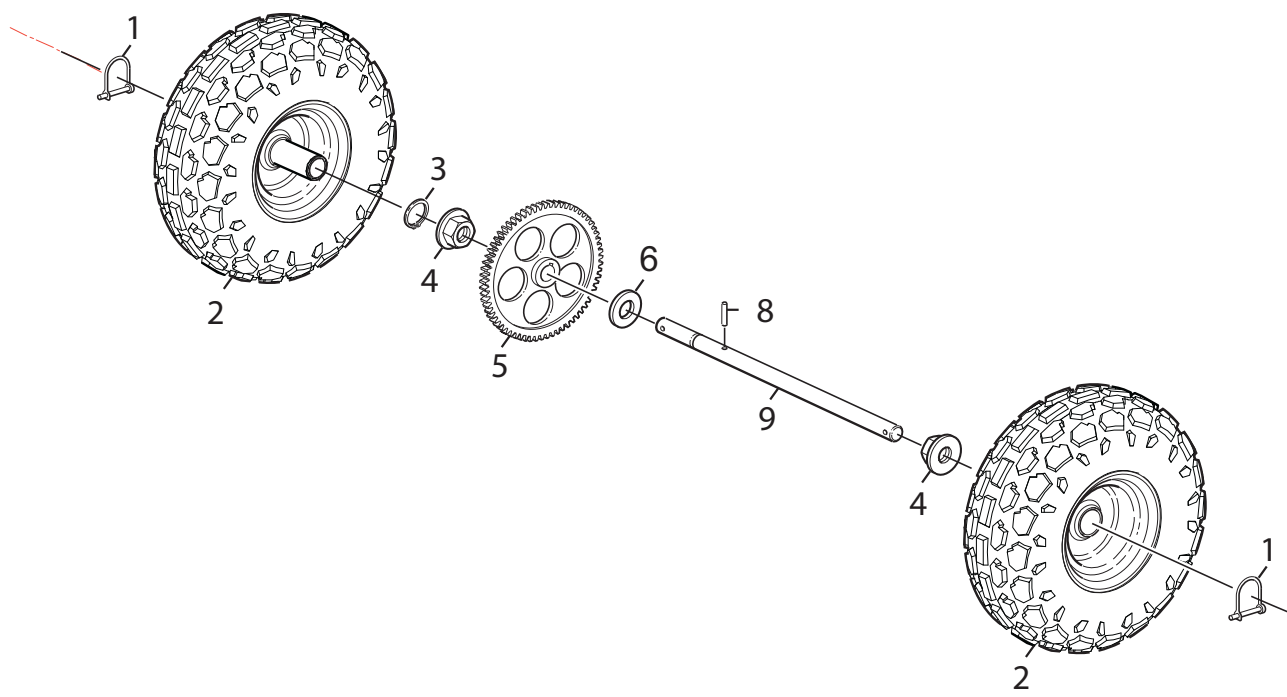
Utgåva Issue 2013-11		Bildnr Picture No 2861Z		ST 3255 P STYRE REGLAGE		ST 3255 P HANDLE CONTROLS		Sida Page 2	
Pos. Fig.	Antal/Quantity				Art nr Part No	Benämning	Description	Sats Kit	Anmärkning Notes
	2859								
1	1				1811-2855-01	Reglagebygel-snöskruv .....	Auger-control .....		
2	1				1811-2856-01	Reglagebygel-motor .....	Drive control .....		
3	1				1811-2851-01	Reglagewire-övre .....	Auger cable-upper.....		
4	2				1811-2850-01	Platta .....	Plate.....		
5	2				1811-2849-01	Reglagewire-undre .....	Control cable-lower .....		
6	2				1811-2854-01	Kabelrör .....	Cable pipe .....		
7	2				1811-2852-01	Växelwire .....	Gear cable .....		
8	1				1811-2853-01	Gaswire .....	Drive control cable.....		
9	1				1811-2857-01	Gummimuff .....	Rubber sleeve.....		
10	1				1811-2858-02	Styre-överdel .....	Handle-upper.....		
11	1				1811-2859-01	Skruv.....	Screw.....		
12	1				1811-2860-01	Handtag.....	Grip .....		
13	1				1811-2861-01	Vagnsbult .....	Bolt.....		
14	1				1811-2862-01	Vagnsbult .....	Bolt.....		
15	1				1811-2864-01	Fäste.....	Bracket .....		
16	1				1811-2865-01	Kabelfäste.....	Cable bracket .....		
17	1				1811-2866-01	Fäste.....	Bracket .....		
18	1				1811-2866-01	Fjäder.....	Spring.....		
19	5				1811-2752-01	Packning .....	Gasket .....		
20	2				1811-2760-01	Mutter .....	Nut.....		
21	1				1811-2863-01	Kabelklämma.....	Cable clamp .....		
22	1				1811-2768-01	Mutter .....	Nut.....		
23	4				1811-2868-01	Vagnsbult .....	Bolt.....		
24	4				1811-2869-01	Bricka .....	Washer.....		
25	4				1811-2781-01	Låsratt .....	Handle knob.....		
26	1				1811-2870-02	Styre-underdel .....	Handle-lower.....		
27	5				1811-2791-01	Skruv.....	Screw.....		
28	4				1811-2751-01	Bricka .....	Washer.....		



Utgåva Issue 2013-11		Bildnr Picture No 2862Z		ST 3255 P RAM MOTOR		ST 3255 P FRAME ENGINE		Sida Page 4	
Pos. Fig.	Antal/Quantity				Art nr Part No	Benämning	Description	Sats Kit	Anmärkning Notes
	2859								
1	1				1811-2836-01	Motor .....	Engine .....		
2	5				1811-2760-01	Mutter .....	Nut .....		
3	10				1811-2751-01	Bricka .....	Washer .....		
4	12				1811-2752-01	Bricka .....	Washer .....		
5	2				1811-2786-01	Ansatsbult .....	Shoulder bolt .....		
6	1				1811-2834-01	Fäste .....	Bracket .....		
7	1				1811-2835-01	Distans .....	Spacer .....		
8	1				1811-2841-01	Spännrulle .....	Idler .....		
9	1				1811-2840-01	Flänslager .....	Flange bearing .....		
10	2				1811-2793-01	Fjäder .....	Spring .....		
11	1				1811-2839-01	Ansatsbult .....	Shoulder bolt .....		
12	1				1811-2838-01	Skruv .....	Screw .....		
13	1				1811-2837-01	Fjäder .....	Spring .....		
14	1				1811-2843-01	Remskiva .....	Pulley .....		
15	1				1811-2844-01	Distans .....	Spacer .....		
16	1				1811-2845-01	Remskiva .....	Pulley .....		
17	1				1811-2846-01	Lager .....	Bearing .....		
18	1				1811-2842-01	Kil .....	Lager .....		
19	6				1811-2791-01	Skruv .....	Screw .....		
20	1				1811-2848-01	Remstyrning .....	Belt guide .....		
21	1				1811-2847-01	Bricka .....	Washer .....		
22	2				1811-2814-01	Skruv .....	Screw .....		
23	1				1811-2833-01	Remskydd .....	Belt cover .....		
24	1				1811-2794-01	Mutter .....	Nut .....		
25	2				1811-2829-01	Bricka .....	Washer .....		
26	2				1811-2785-01	Packning .....	Gasket .....		
27	2				1811-2830-01	Kullager .....	Ball bearing .....		
28	1				1811-2832-01	Drivaxel .....	Wheel drive shaft .....		
29	1				1811-2831-01	Vibrationshjul kpl .....	Friction wheel .....		
30	1				1811-2867-01	Sprint .....	Pin .....		
31	2				1811-2826-01	Fäste .....	Bracket .....		
32	1				1811-2825-01	Hållare .....	Holder .....		
33	1				1811-2807-01	Bricka .....	Washer .....		
34	1				1811-2769-01	Packning .....	Gasket .....		
35	1				1811-2872-01	Ram-svart .....	Frame-black .....		
36	1				1811-2790-01	Friction .....	Friction .....		
37	1				1811-2792-01	Distans .....	Spacer .....		
38	1				1811-2806-01	Stag .....	Rod .....		
39	1				1811-2808-01	Ramfäste .....	Frame bracket .....		
40	2				1811-2807-01	Bricka .....	Washer .....		
41	2				1811-2771-01	Skruv .....	Screw .....		
42	1				1811-2809-01	Lagerdistans .....	Spacer bush .....		
43	1				1811-2810-01	Drev .....	Gear .....		
44	1				1811-2811-01	Saxpinne .....	Cotter pin .....		
45	1				1811-2813-01	Ramkåpa .....	Frame cover .....		
46	8				1811-2814-01	Skruv .....	Screw .....		
47	1				1811-2812-01	Fäste .....	Bracket .....		
48	1				1811-2824-01	Skruv .....	Screw .....		
49	1				1811-2823-01	Hållare .....	Holder .....		
50	1				1811-2768-01	Mutter .....	Nut .....		

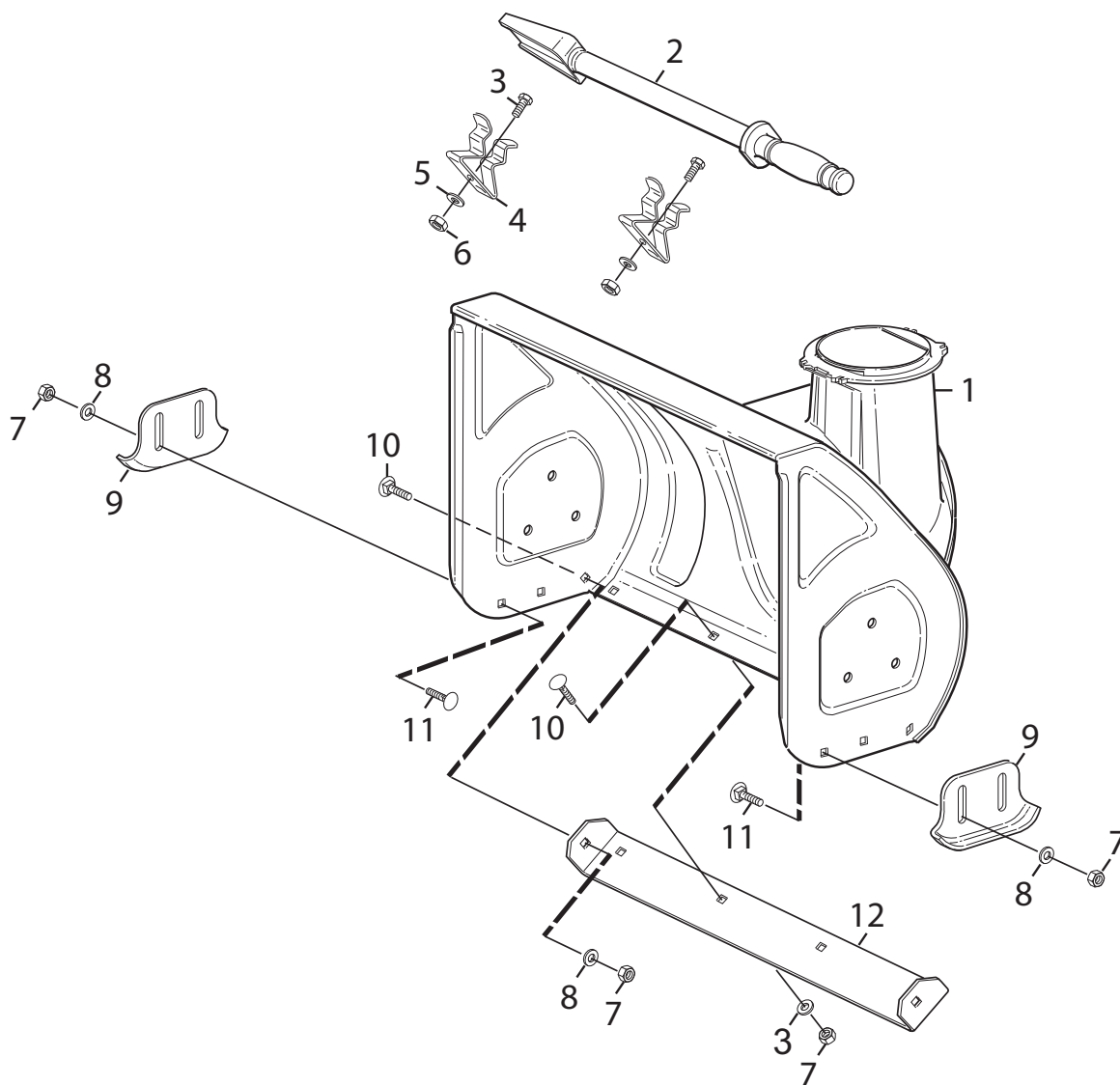


Utgåva Issue 2013-11		Bildnr Picture No 2865Z		ST 3255 P DRIVNING		ST 3255 P TRACTION DRIVE		Sida Page 6	
Pos. Fig.	Antal/Quantity				Art nr Part No	Benämning	Description	Sats Kit	Anmärkning Notes
	2859								
1	1				1811-2786-01	Ansatsbult .....	Shoulder bolt .....		
2	1				1811-2787-01	Stag .....	Strut .....		
3	1				1811-2788-01	Distans .....	Spacer .....		
4	1				1811-2789-01	Spännrulle .....	Idler .....		
5	2				1811-2752-01	Bricka .....	Washer .....		
6	2				1811-2760-01	Bricka .....	Mutter .....		
7	1				1811-2785-01	Distans .....	Spacer .....		
8	1				1811-2796-01	Fjäder .....	Spring .....		
9	1				1811-2795-01	Bricka .....	Washer .....		
10	1				1811-2794-01	Mutter .....	Nut .....		
11	1				1811-2755-01	Bricka .....	Washer .....		
12	1				1811-2798-01	Lager .....	Bearing .....		
13	1				1811-2799-01	Lagerplatta .....	Bearing plate .....		
14	2				1811-2751-01	Bricka .....	Washer .....		
15	1				1811-2800-01	Distans .....	Spacer .....		
16	1				1811-2801-01	Rem .....	Belt .....		
17	1				1811-2802-01	Rem .....	Belt .....		
18	1				1811-2803-01	Remskiva .....	Pulley .....		
19	1				1811-2804-01	Kil .....	Key .....		
20	1				1811-2805-01	Bricka .....	Washer .....		
21	1				1811-2791-01	Skruv .....	Screw .....		

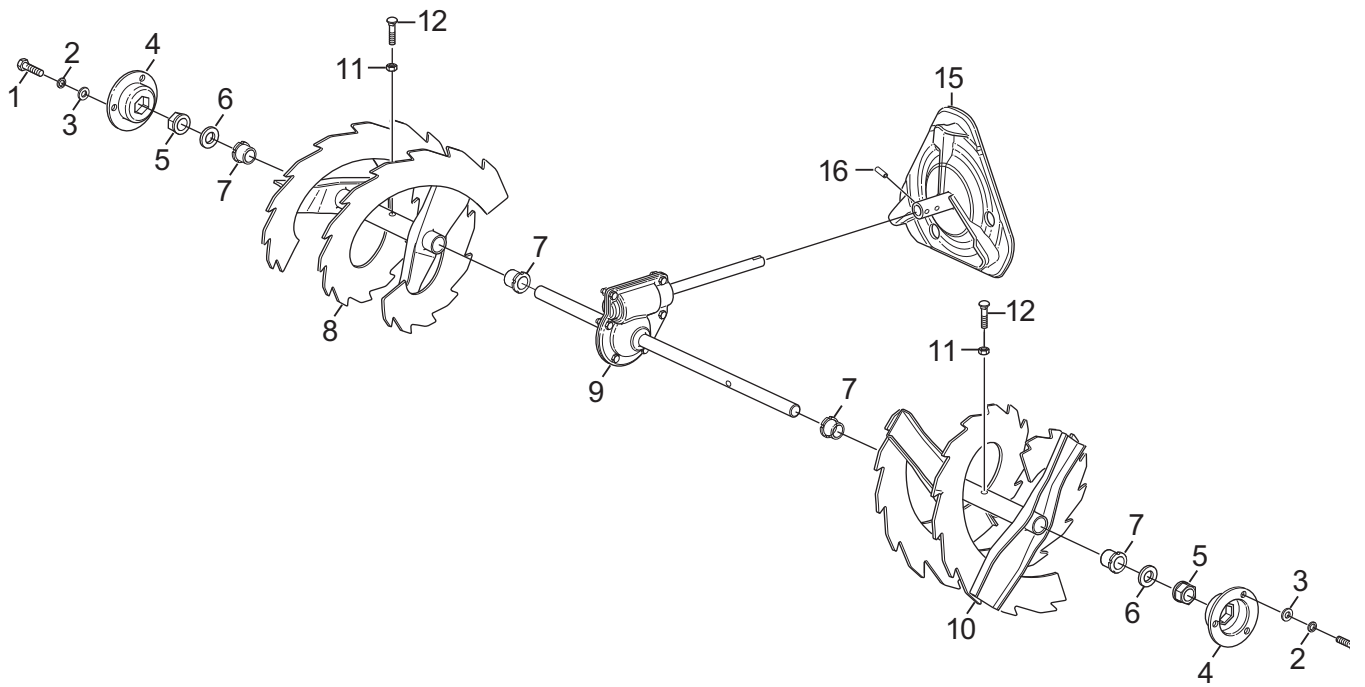




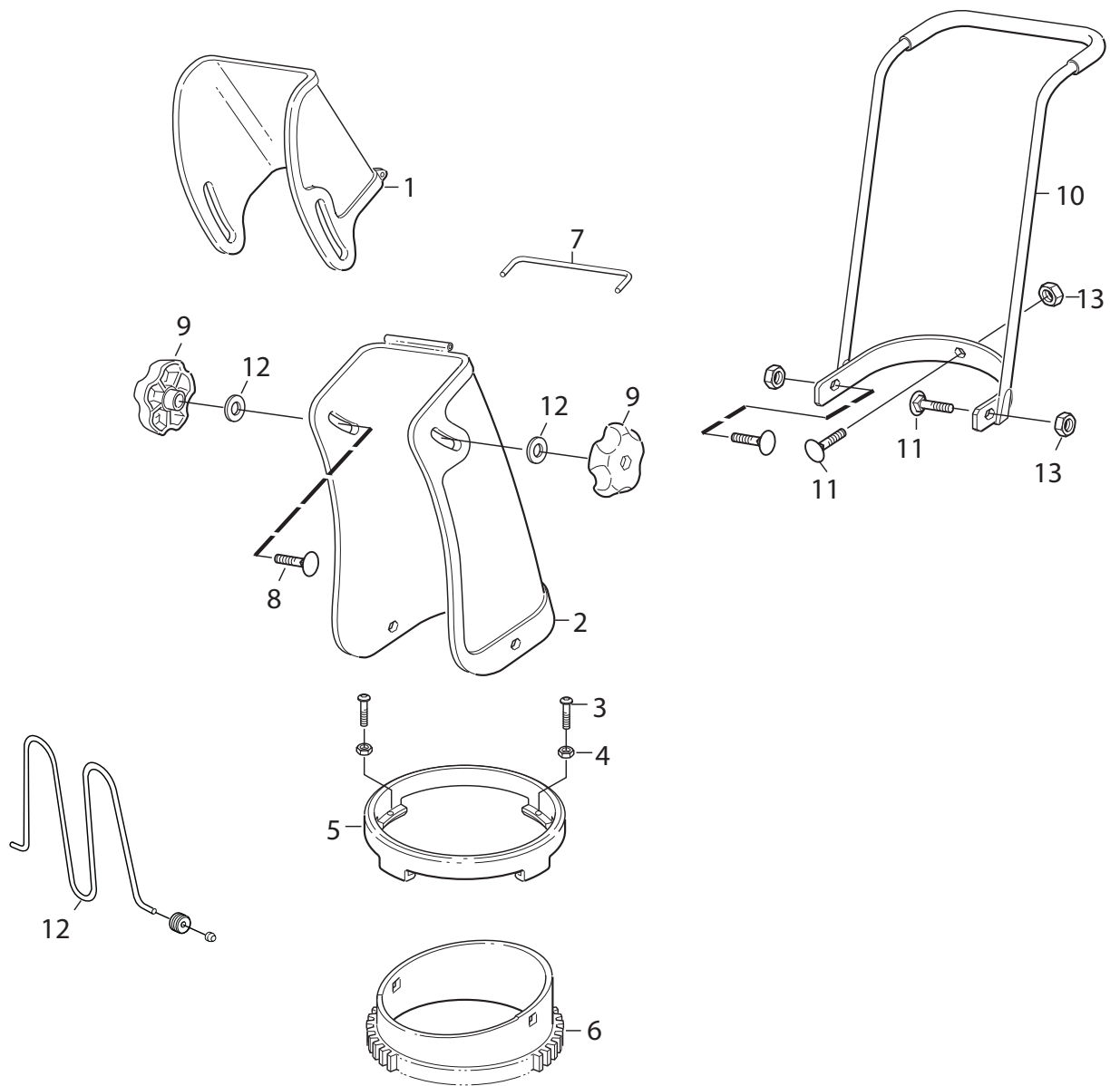
Utgåva Issue 2013-11		Bildnr Picture No 2863		ST 3255 P HJUL		ST 3255 P WHEELS		Sida Page 8	
Pos. Fig.	Antal/Quantity				Art nr Part No	Benämning	Description	Sats Kit	Anmärkning Notes
	2859								
1	2				1811-2822-01	Låsnål .....	Dowel pin.....		
2	2				1811-2821-01	Hjul .....	Wheel .....		
3	1				1811-2820-01	Segersäkring .....	Lock ring.....		
4	2				1811-2819-01	Flänslager .....	Flange bearing.....		
5	1				1811-2818-01	Drev .....	Gear.....		
6	1				1811-2755-01	Bricka .....	Washer.....		
7	1				1811-2817-01	Kil .....	Key.....		
8	1				1811-2816-01	Spännstift.....	Locating pin .....		
9	1				1811-2815-01	Hjulaxel .....	Wheel shaft .....		



Utgåva Issue 2013-11		Bildnr Picture No 2864Z		ST 3255 P INMATNINGSHUS		ST 3255 P AUGER HOUSING		Sida Page 10	
Pos. Fig.	Antal/Quantity				Art nr Part No	Benämning	Description	Sats Kit	Anmärkning Notes
	2859								
1	1				1811-2873-03	Inmatningshus-yellow .....	Auger housing assy-yellow		
2	1				1811-2772-01	Rengörningsverktyg .....	Clear -out tool .....		
3	2				1811-2771-01	Skruv.....	Screw.....		
4	2				1811-2770-01	Fäste.....	Bracket .....		
5	2				1811-2769-01	Bricka .....	Packning.....		
6	2				1811-2768-01	Mutter .....	Nut.....		
7	4				1811-2760-01	Mutter .....	Nut.....		
8	4				1811-2752-01	Bricka .....	Washer .....		
9	2				1811-2767-02	Släpsko .....	Skid shoe .....		
10	4				1811-2762-01	Ansatsbult.....	Shoulder bolt.....		
11	4				1811-2766-01	Ansatsbult.....	Shoulder bolt.....		
12	1				1811-2763-01	Fäste.....	Bracket .....		



Utgåva Issue 2013-11		Bildnr Picture No 2866		ST 3255 P SNÖSKRUV		ST 3255 P AUGER DRIVE		Sida Page 12	
Pos. Fig.	Antal/Quantity				Art nr Part No	Benämning	Description	Sats Kit	Anmärkning Notes
	2859								
1	6				1811-2750-01	Skruv.....	Screw.....		
2	6				1811-2751-01	Bricka .....	Wascher .....		
3	2				1811-2752-01	Bricka .....	Wascher .....		
4	2				1811-2753-01	Lagerhus .....	Bearing housing .....		
5	2				1811-2754-01	Lager.....	Bearing .....		
6	2				1811-2755-01	Bricka .....	Wascher .....		
7	4				1811-2756-01	Lager.....	Bearing .....		
8	1				1811-2757-01	Snöskruv-hö.....	Auger-RH.....		
9	1				1811-2758-01	Snäckväxel.....	Gear case assy .....		
10	1				1811-2759-01	Snöskruv-vä.....	Auger-LH.....		
11	2				1811-2760-01	Mutter .....	Nut.....		
12	2				1811-2761-01	Brytbult.....	Shear bolt .....		
15	1				1811-2764-01	Fläkt.....	Impeller .....		
16	1				1811-2765-01	Spännstift.....	Locating pin .....		



Utgåva Issue 2013-11		Bildnr Picture No 2867Z		ST 3255 P UTKAST		ST 3255 P DISCHARGE CHUTE		Sida Page 14	
Pos. Fig.	Antal/Quantity				Art nr Part No	Benämning	Description	Sats Kit	Anmärkning Notes
	2859								
1	1				1811-2778-02	Utkast-övre .....	Discharge chute-upper .....		
2	1				1811-2777-02	Utkast .....	Discharge chute .....		
3	2				1811-2776-01	Skruv .....	Screw .....		
4	2				1811-2775-01	Mutter .....	Nut .....		
5	1				1811-2774-01	Hållare .....	Holder .....		
6	1				1811-2779-01	Stag .....	Strut .....		
8	2				1811-2780-01	Ansatsbult .....	Shoulder bolt .....		
9	2				1811-2781-01	Lås ratt .....	Handle knob .....		
10	1				1811-2782-01	Utkastkontroll .....	Chute directinal chute .....		
11	2				1811-2783-01	Skruv .....	Screw .....		
12	1				1811-2784-01	Stag .....	Strut .....		
12	2				1811-2752-01	Bricka .....	Washer .....		
13	3				1811-2768-01	Mutter .....	Nut .....		