

Genuine Spare Parts

www.stiga.com

SILEX 360 G

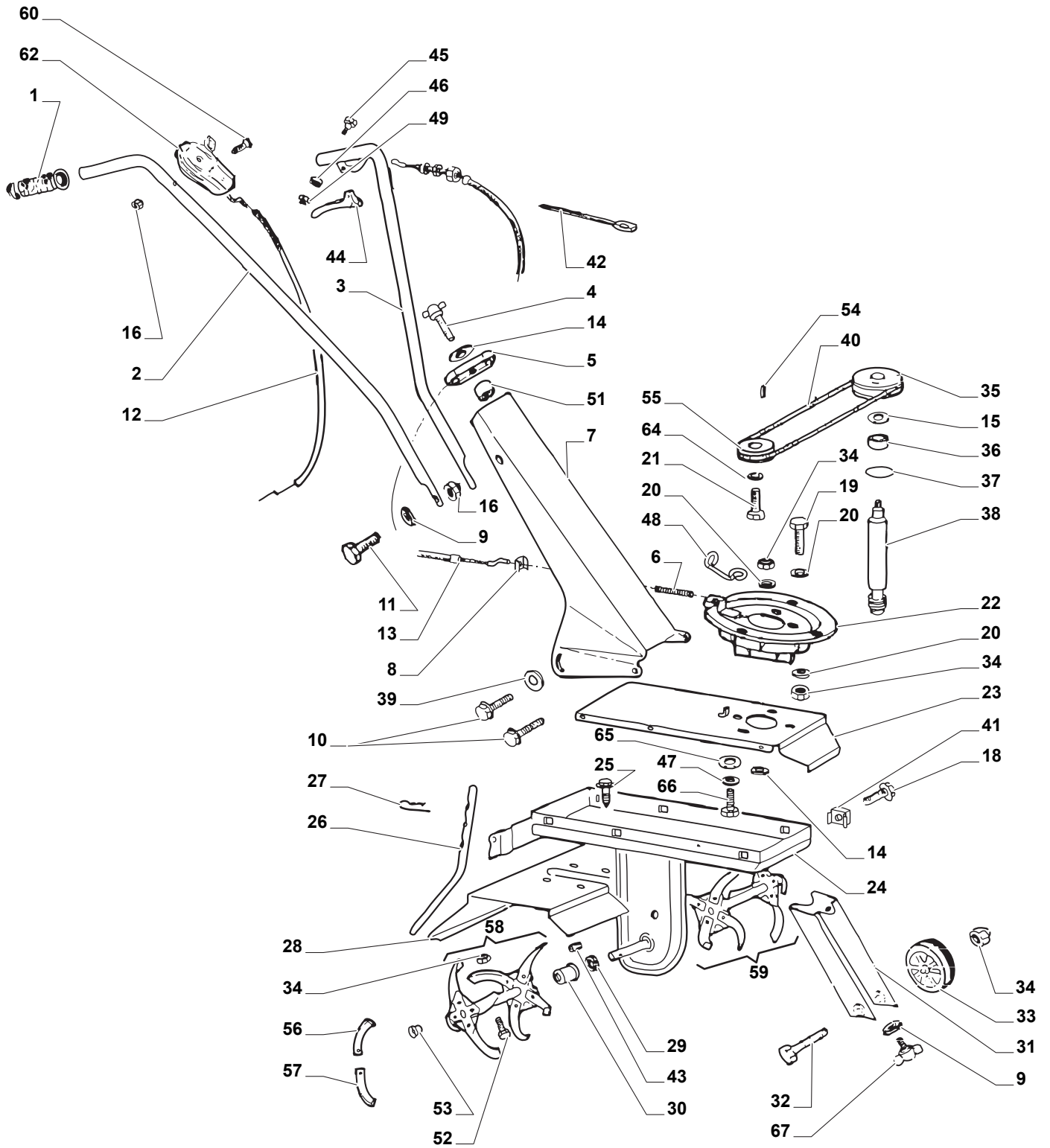
- Use GLOBAL GARDEN PRODUCT Genuine Spare Parts specified in the parts list for repair and/or replacement.
- The contents described in the parts list may change due to improvement.
- The drawings of the spare parts are only indicative and might not represent the part in question exactly.
- The indications "right" - "left" - "front" - "rear" refer to the position of the operator when using the machine.
- When placing orders of parts for repair and/or replacement, make sure that the illustrated parts list is the one applying to the machine's year of manufacture, as shown on the identification plate attached to the machine.

© Copyright 2009 Global Garden Products

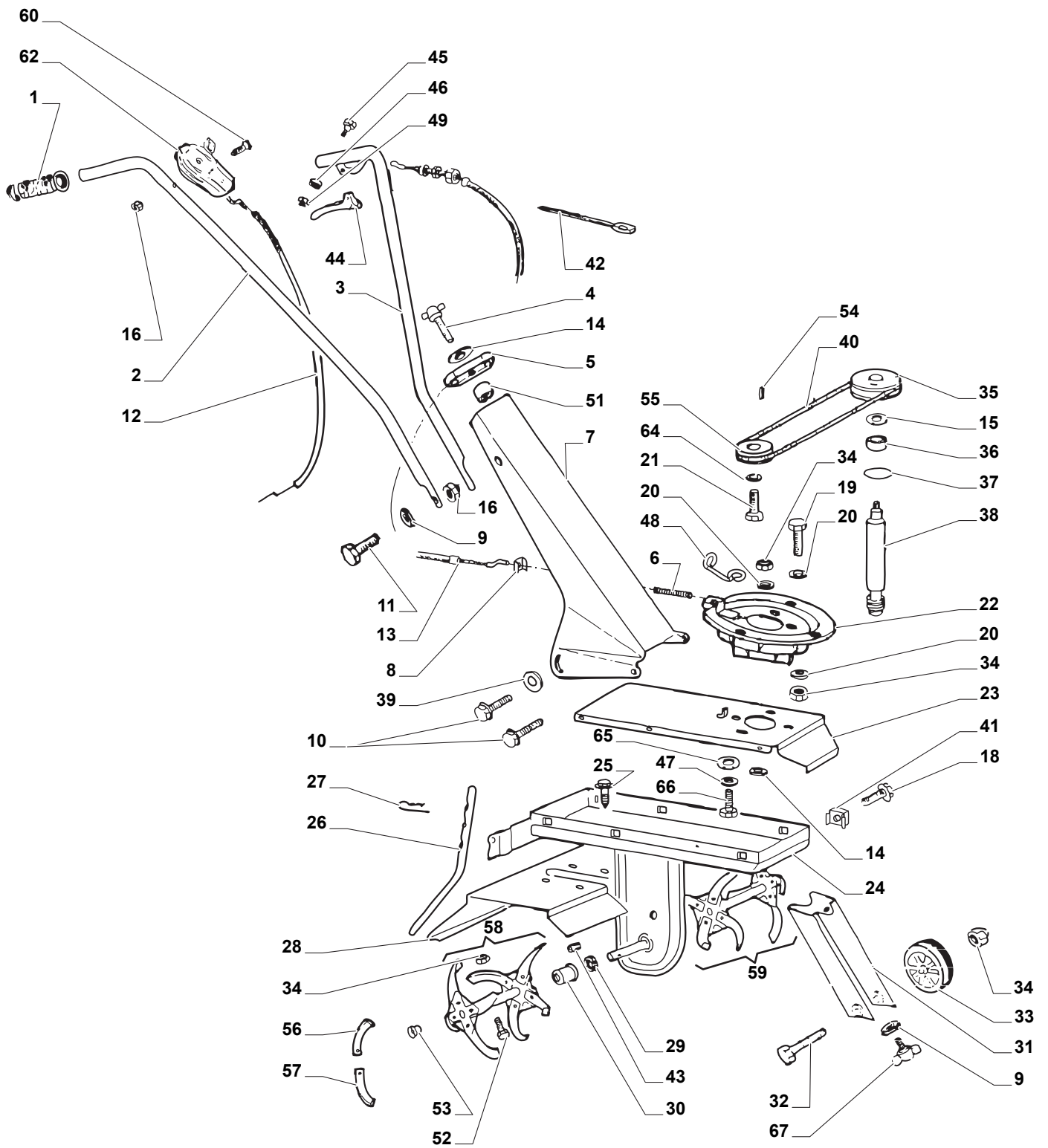
All content is subject to copyright by Global Garden Products and may not be reproduced in whole or in part by any means, electronic or otherwise, without prior written approval.

THIS INFORMATION IS NOT INTENDED FOR SALE OR RESALE, AND THIS NOTICE MUST REMAIN ON ALL COPIES.

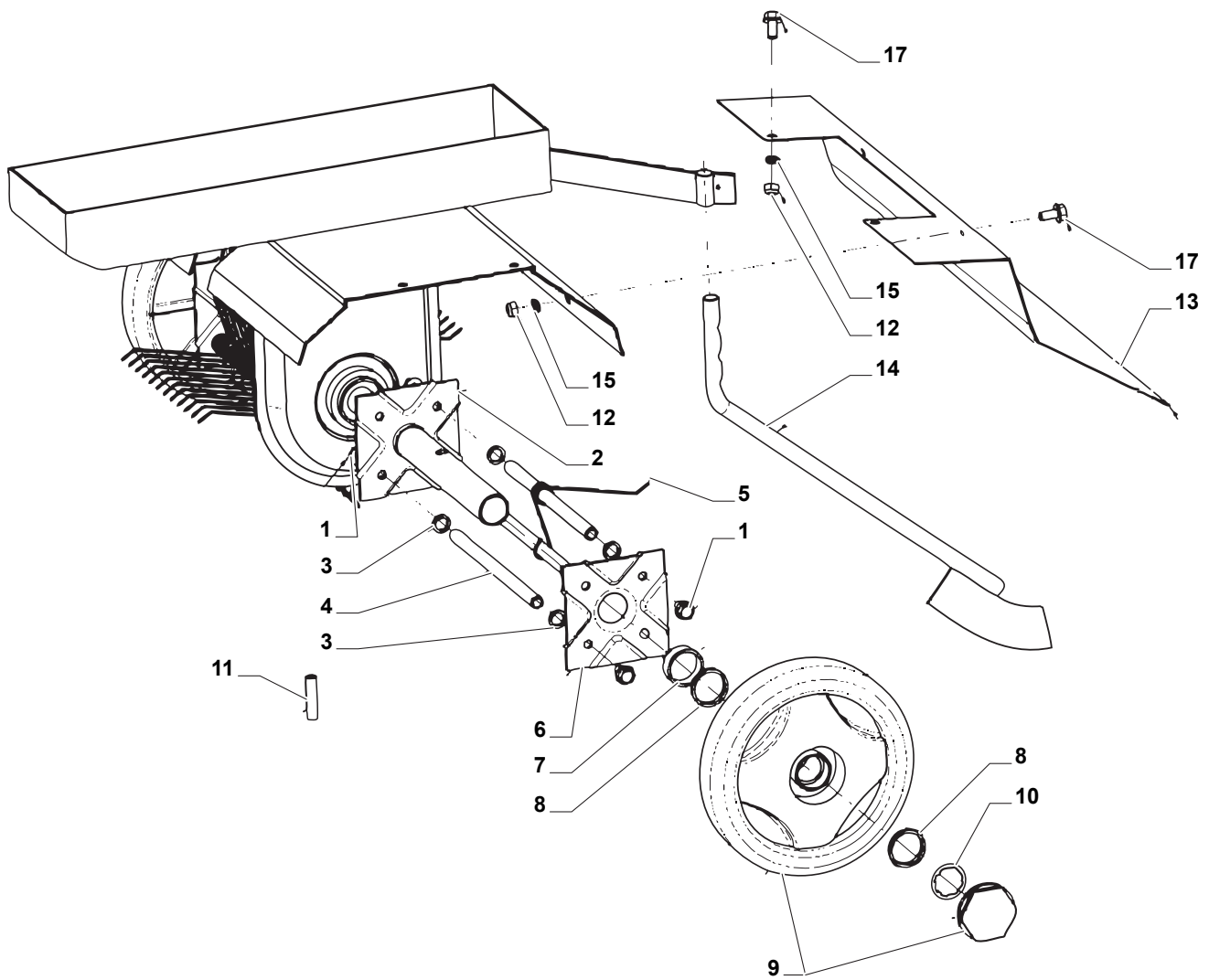




POSITION	PART No.	Q.Ty	DESCRIPTION	NOTES
1	1483-2125-01	2	Handgrip	
2	1483-2127-01	1	Handle	
3	1483-2128-01	1	Handle	
4	1483-2077-01	1	Screw	
5	1483-2129-01	1	Flange	
6	1483-2133-01	1	Spring	
7	1483-2130-01	1	Support Yellow	
8	1483-2134-01	1	Plate	
9	9699-0100-02	5	Washer	
10	9959-0616-16	4	Screw	
11	9997-0625-16	2	Screw	
12	1483-2109-01	1	Wire	
13	1483-2126-01	1	Wire	
14	9699-0122-02	4	Washer	
15	1483-2122-01	1	Spacer	
16	9747-0631-02	3	Nut	
18	9959-0612-16	2	Screw	
19	9997-0840-16	3	Screw	
20	9699-0028-02	10	Washer	
21	9987-5225-16	1	Screw	
22	1483-2135-01	1	Flange	
23	1483-2120-01	1	Cover	
24	1483-2118-01	1	Transmission Unit Yellow	
25	9847-8216-16	4	Screw	
26	1483-2121-01	1	Lever	
27	9598-0003-02	1	Spring pin	
28	1483-2119-01	1	Guard Yellow	
29	1483-2069-01	2	Oil Seal	
30	1483-2012-01	2	Dust Cover	
31	1483-2124-01	1	Support Yellow	
32	9997-0855-12	1	Screw	
33	1483-2123-01	1	Wheel	
34	9747-0831-02	10	Nut	
35	1483-2028-01	1	Pulley	
36	1483-2071-01	1	Bearing	
37	1483-2189-01	1	O Ring	
38	1483-2011-01	1	Endless screw	
39	9699-0085-02	2	Washer	
40	1483-2137-01	1	Belt	
41	1134-3643-01	7	Nut	
42	9579-0003-00	1	Fair Led	
43	1483-2075-01	1	Cap	
44	1483-2008-01	1	Handle	
45	1483-2005-01	1	Pin	
46	9699-0025-02	1	Washer	
47	1483-2020-01	1	Spacer	
48	1483-2139-01	1	Support	
49	9747-0531-02	1	Nut	
51	1483-2108-01	1	Spacer	
52	9997-0835-12	2	Screw	
53	1483-2015-01	2	Cap	
54	12139100/0	1	Feather	
55	1483-2136-01	1	Pulley	
56	1483-2013-01	8	Right Tine	
57	1483-2014-01	8	Left Tine	
58	1483-2132-01	1	Right Tine Assy	
59	1483-2131-01	1	Left Tine Assy	



POSITION	PART No.	Q.Ty	DESCRIPTION	NOTES
60	9948-0650-16	1	Screw	
62	1483-2143-01	1	Accelerator	
64	9699-0035-02	1	Washer	
65	1483-2138-01	4	Washer	
66	9997-0825-16	4	Screw	
67	1483-2199-01	1	Knob	



POSITION	PART No.	Q.Ty	DESCRIPTION	NOTES
1	9959-0816-16	16	Screw	
2	1483-2304-01	2	Clamp	
3	9699-0121-02	16	Washer	
4	1483-2305-01	8	Shaft	
5	1483-2307-01	96	Spring	
6	1483-2300-01	2	Flange	
7	1483-2306-01	2	Spacer	
8	1483-2297-01	4	Spacer	
9	1483-2308-01	2	Wheel	
10	1483-2322-01	2	Crown Fastener	
11	1483-2323-01	2	Pin	
12	9747-0631-02	4	Nut	
13	1483-2299-01	1	Cover	
14	1483-2302-01	1	Rod	
15	9699-0100-02	4	Washer	
17	9959-0616-16	4	Screw	