

Genuine Spare Parts

www.stiga.com

SILEX 75 G

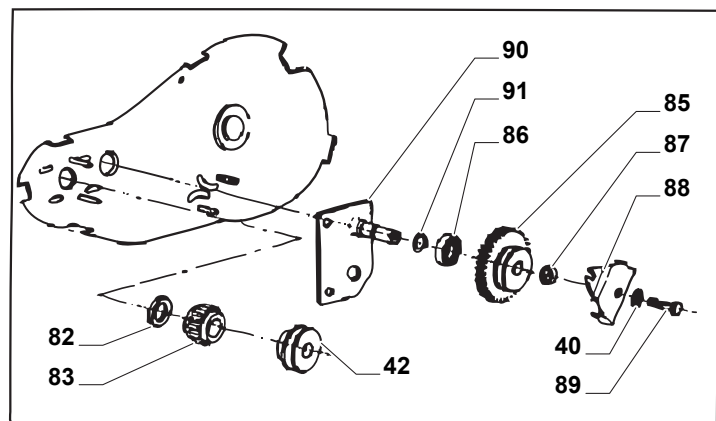
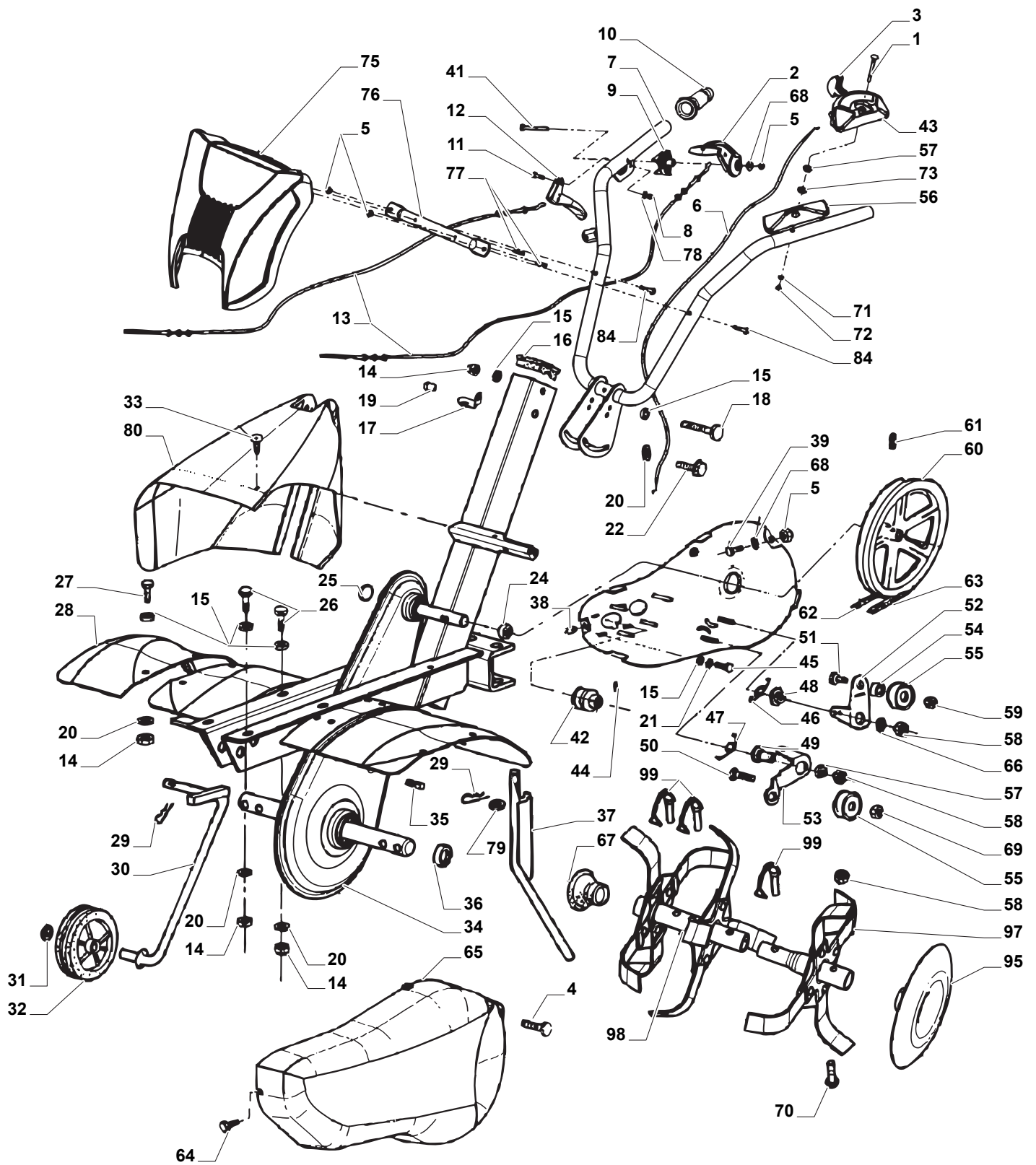
- Use GLOBAL GARDEN PRODUCT Genuine Spare Parts specified in the parts list for repair and/or replacement.
- The contents described in the parts list may change due to improvement.
- The drawings of the spare parts are only indicative and might not represent the part in question exactly.
- The indications "right" - "left" - "front" - "rear" refer to the position of the operator when using the machine.
- When placing orders of parts for repair and/or replacement, make sure that the illustrated parts list is the one applying to the machine's year of manufacture, as shown on the identification plate attached to the machine.

© Copyright 2011 Global Garden Products

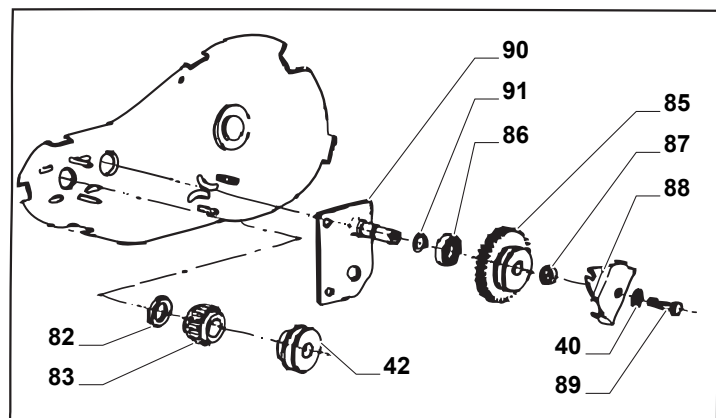
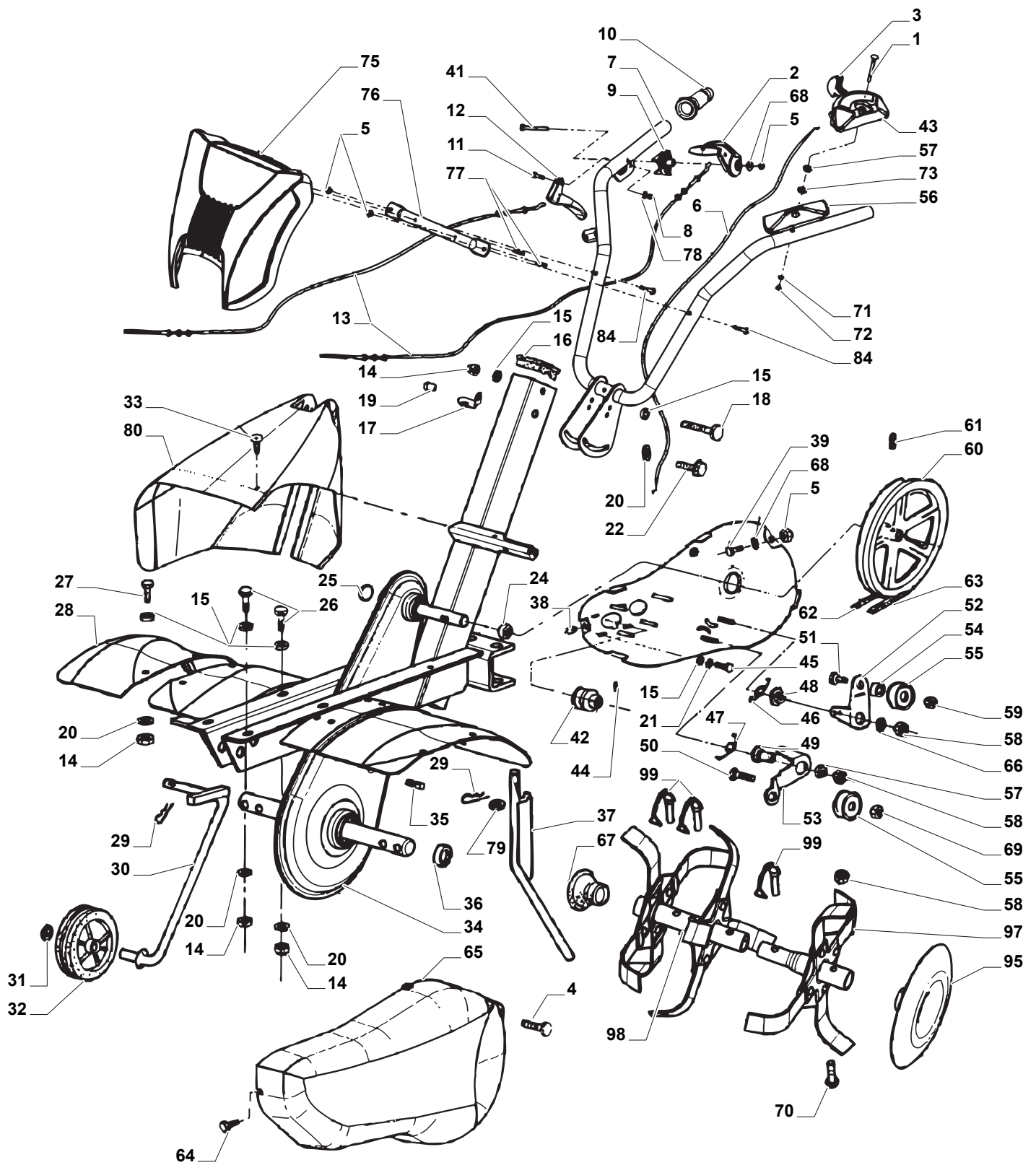
All content is subject to copyright by Global Garden Products and may not be reproduced in whole or in part by any means, electronic or otherwise, without prior written approval.

THIS INFORMATION IS NOT INTENDED FOR SALE OR RESALE, AND THIS NOTICE MUST REMAIN ON ALL COPIES.

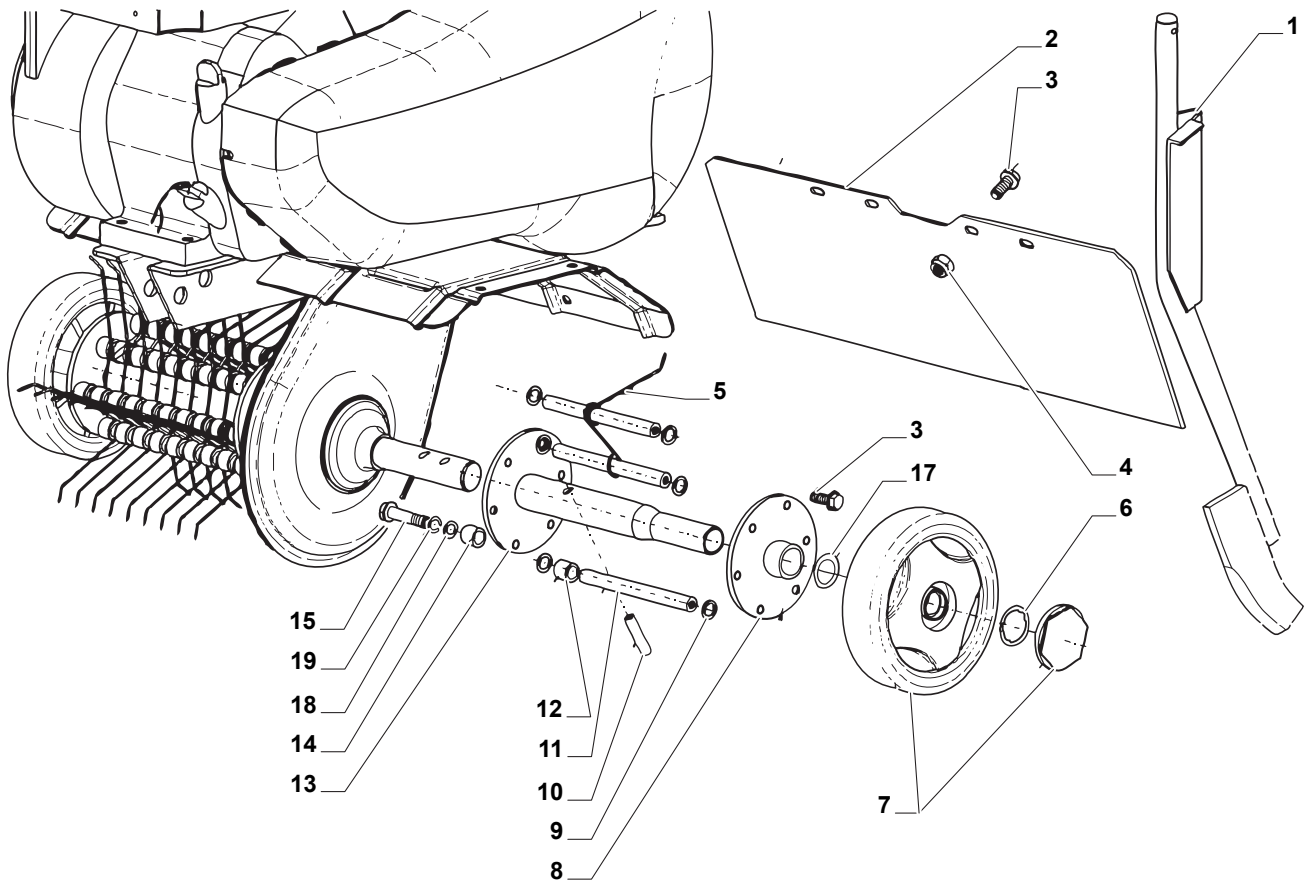




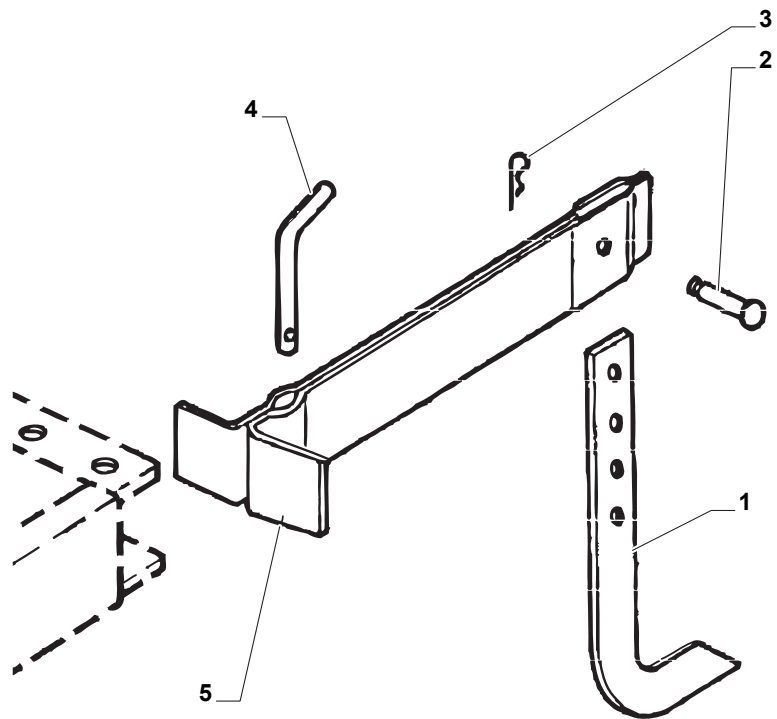
POSITION	PART No.	Q.Ty	DESCRIPTION	NOTES
1	9898-0855-12	1	Screw	
2	1483-2017-01	1	Lever	
3	381007279/1	1	Throttle Lever	
4	9959-0616-16	1	Screw	
5	9747-0631-02	4	Lock nut	
6	1483-2181-01	1	Throttle Cable	
7	1483-2164-01	1	Handle	
8	9747-0531-02	1	Nut	
9	1483-2018-01	1	Support	
10	1483-2079-01	2	Handgrip	
11	1483-2005-01	1	Pin	
12	1483-2008-01	1	Handle	
13	1483-2162-01	1	Cable	
14	9747-0831-02	9	Lock nut	
15	9699-0028-02	16	Flat washer	
16	1483-2166-01	1	Cap	
17	1483-2021-01	1	Support	
18	9997-0865-12	1	Screw	
19	1483-2191-01	2	Nut	
20	9699-0122-02	9	Washer	
21	9699-0028-02	4	Flat washer	
22	9959-0825-16	2	Screw	
24	1483-2187-01	1	Oil Seal	
25	1483-2186-01	1	Cap	
26	9997-0840-16	4	Screw	
27	9997-0820-16	4	Screw	
28	1483-2171-01	1	Plate, Right Yellow	
28	1483-2172-01	1	Plate, Left Yellow	
29	9598-0002-02	2	Elastic Pin	
30	1483-2168-01	1	Support	
31	1483-2195-01	1	Washer	
32	1483-2112-01	1	Support	
33	9943-0625-16	1	Screw	
34	1483-2156-01	1	Transm.Housing-Yellow	
35	1483-2075-01	1	Cap	
36	1483-2070-01	2	Oil Seal	
37	1483-2167-01	1	Lever	
38	1483-2190-01	1	Nut	
39	9997-0616-16	1	Screw	
40	9683-0025-02	1	Lock washer	
41	9997-0660-12	1	Screw	
42	1483-2174-01	1	Pulley	
43	322981740/1	1	Accelerator	
44	9915-0610-15	1	Screw	
45	9987-5116-16	4	Screw	
46	1483-2158-01	1	Spring	
47	1483-2157-01	1	Spring	
48	1483-2153-01	1	Spacer	
49	1483-2152-01	1	Spacer	
50	1483-2076-01	1	Screw	
51	9997-1235-16	1	Screw	
52	1483-2154-01	1	Lever	
53	1483-2155-01	1	Lever	
54	1483-2151-01	1	Spacer	
55	1483-2004-01	1	Pulley	
56	322171006/0	1	Spacer	
57	9699-0035-02	2	Flat washer	



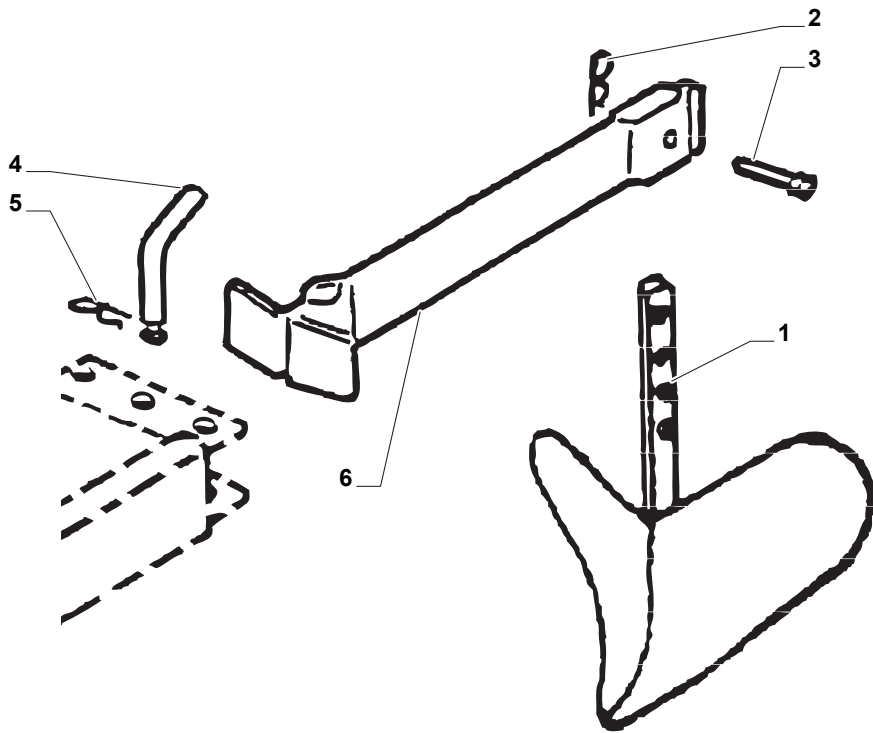
POSITION	PART No.	Q.Ty	DESCRIPTION	NOTES
58	9747-1031-02	4	Lock nut	
59	9747-1231-02	1	Nut	
60	1483-2150-01	1	Pulley	
61	9595-0277-01	1	Pin	
62	1483-2141-01	1	Belt	
63	1483-2149-01	1	Belt	
64	9959-0616-16	1	Screw	
65	1483-2159-01	1	Guard	
66	1483-2020-01	1	Spacer	
67	1483-2173-01	2	Dust Cover	
68	9699-0100-02	2	Washer	
69	1483-2193-01	1	Nut	
70	9997-1050-16	2	Screw	
71	9699-0024-02	1	Flat washer	
72	9799-0531-02	1	Nut	
73	112508100/0	1	Cup Spring	
75	1483-2182-01	1	Mask, Yellow	
76	1483-2180-01	1	Bracket	
77	1483-2200-01	2	Screw	
78	9699-0025-02	1	Washer	
79	9699-0104-02	1	Washer	
80	1483-2160-01	1	Cover Yellow	
82	1483-2117-01	1	Spacer	
83	1483-2176-01	1	Sprocket	
84	9997-0635-12	2	Screw	
85	1483-2175-01	1	Sprocket	
86	9549-0001-00	1	Bearing	
87	1483-2145-01	1	Spacer	
88	1483-2147-01	1	Bracket	
89	9997-0612-16	1	Screw	
90	1483-2146-01	1	Plate	
91	9650-0012-04	1	Circlip	
95	1483-2022-01	2	Disc	
97	1483-2169-01	1	Right Tine Assy	
97	1483-2170-01	1	Left Tine Assy	
98	1483-2023-01	1	Right Tine Assy	
98	1483-2024-01	1	Left Tine Assy	
99	1483-2196-01	2	Pin	



POSITION	PART No.	Q.Ty	DESCRIPTION	NOTES
1	1483-2317-01	1	Rod	
2	1483-2318-01	1	Cover	
3	9959-0816-16	16	Screw	
4	9747-0831-02	4	Lock nut	
5	1483-2307-01	96	Spring	
6	1483-2322-01	2	Crown Fastener	
7	1483-2314-01	2	Wheel	
8	1483-2313-01	2	Flange	
9	9699-0121-02	36	Washer	
10	1483-2324-01	2	Pin	
11	1483-2305-01	12	Shaft	
12	1483-2315-01	96	Spacer	
13	1483-2312-01	2	Clamp	
14	1483-2316-01	12	Spacer	
15	9997-0835-12	12	Screw	
17	1483-2297-01	2	Spacer	
18	9699-0122-02	12	Washer	
19	9699-0028-02	12	Flat washer	



POSITION	PART No.	Q.Ty	DESCRIPTION	NOTES
1	1483-2287-01	1	Rod	
2	1483-2286-01	1	Pin	
3	9599-0052-02	1	Cotter Pin	
4	1483-2292-01	1	Pin	
5	1483-2293-01	1	Bracket	



POSITION	PART No.	Q.Ty	DESCRIPTION	NOTES
1	1483-2294-01	1	Plough	
2	9598-0002-02	1	Elastic Pin	
3	1483-2286-01	1	Pin	
4	1483-2292-01	1	Pin	
5	9599-0052-02	1	Cotter Pin	
6	1483-2293-01	1	Bracket	