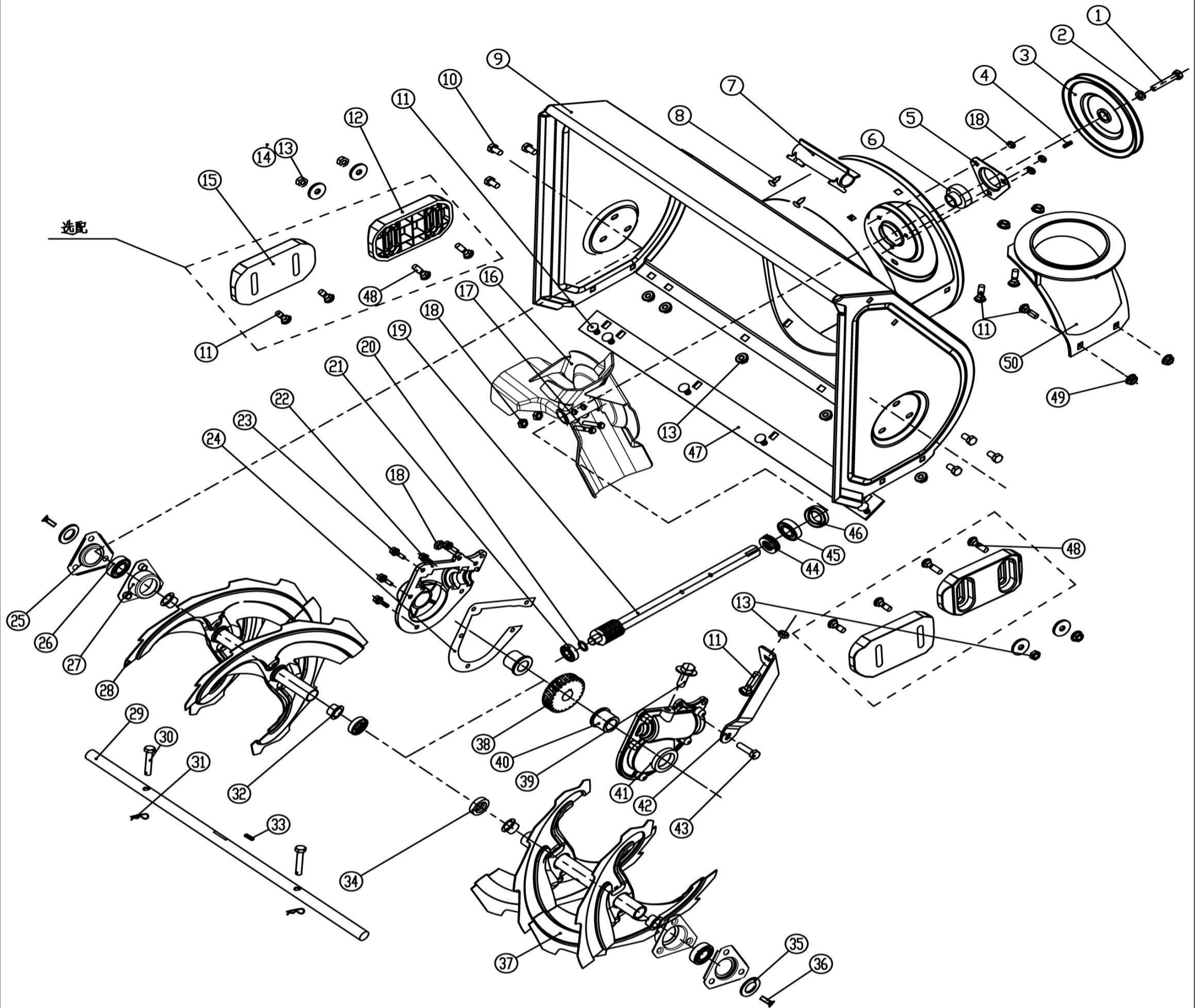
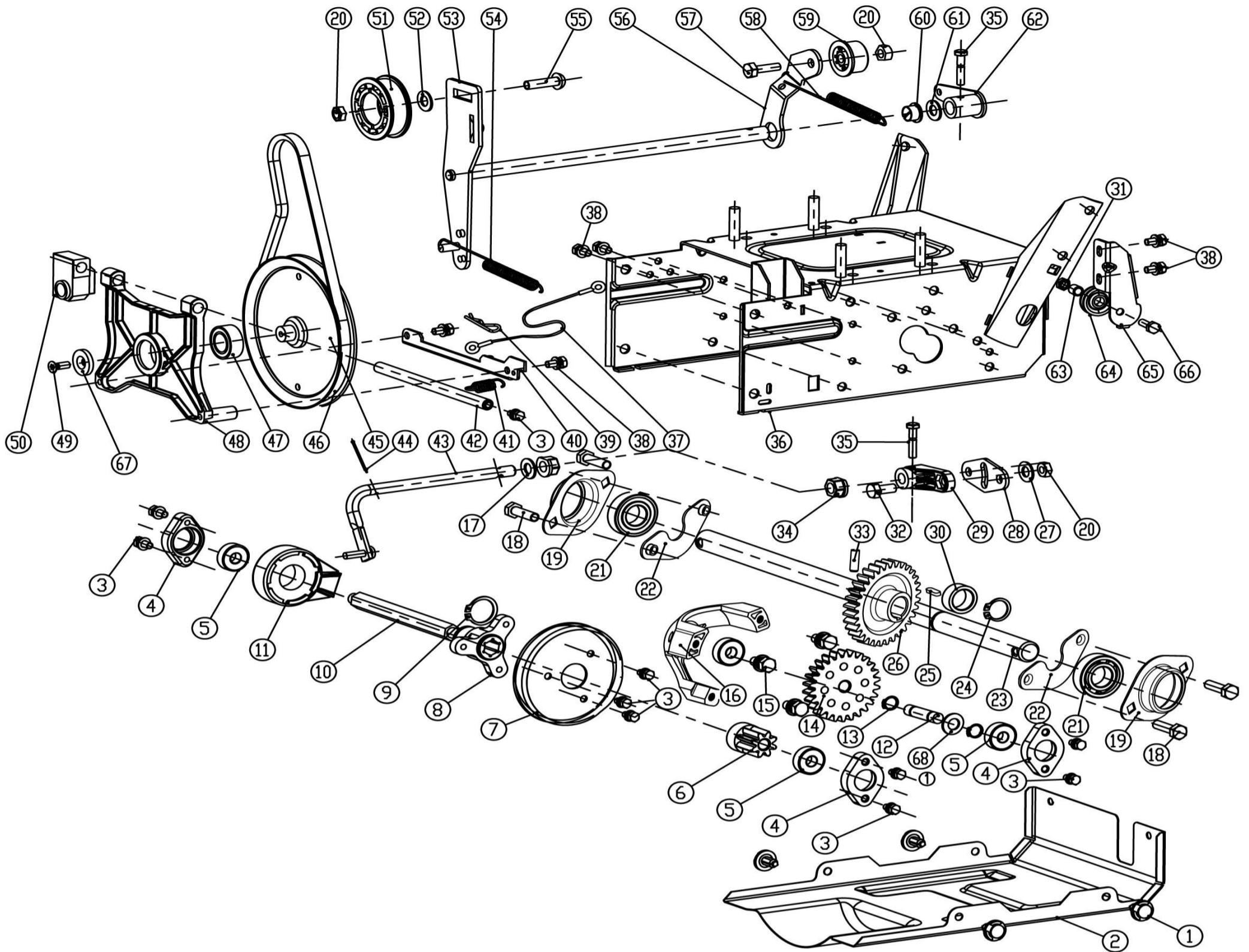


Pos.no.	Part no.	Description	Pos.no.	Part no.	Description
HYS5556-C00-1	KCM24-01	housing	HYS5556-C00-30	GB/T 5780-2000	hex bolt M8X35
HYS5556-C00-2	V10X660	V belt привода шнека	HYS5556-C00-31	KC55-03-06	wire pin
HYS5556-C00-3	KCW-03	D pin 6x40	HYS5556-C00-32	KCM24-04(M4)-2	control lever
HYS5556-C00-4	KC21-02-27	wheel hub	HYS5556-C00-33	SN-210-A	engine
HYS5556-C00-5	13X4.10-6	trye 13x4.10-6	HYS5556-C00-34	KCM24-17	muffler cover
HYS5556-C00-6	GB/T 9074.17-2000	bolt M8X20	HYS5556-C00-35	KCM24-05CA	belt lever
HYS5556-C00-7	KCM24-02	transmission box	HYS5556-C00-36	KCM24-05	belt pulley
HYS5556-C00-8	DIN6927	hex nut M8	HYS5556-C00-37	GB/T 78-2000	locking screw M10X8
HYS5556-C00-9	KCM24-03C	long wire	HYS5556-C00-38	KCM24-06	belt cover
HYS5556-C00-10	KC55-29	B pin	HYS5556-C00-39	KCM24-07	pressing plate
HYS5556-C00-11	GB/T848-2002	small washer C8	HYS5556-C00-40	GB/T 9074.17	hex bolt M6X16
HYS5556-C00-12	KCM24-03	connecting rod	HYS5556-C00-41	KCM24-08	chute handle
HYS5556-C00-13	GB/T12-1988	bolt M8X40	HYS5556-C00-42	KC55-18S	plastic nut
HYS5556-C00-14	S07*00447	washer 8x22x2	HYS5556-C00-43	KC21-16	pin
HYS5556-C00-15	GB/T 889.1-2000	hex lock nut M8	HYS5556-C00-44	KC21-15	chute cap sealed cover
HYS5556-C00-16	GB/T93-1987	elastic washer	HYS5556-C00-45	KC55-20S	chute cap assembly
HYS5556-C00-17	KC21-03-02BL	upper handle,left	HYS5556-C00-46	GB/T12-1988	bolt M6X16
HYS5556-C00-18	GB/T 6183.1-2000	hex lock nut M6	HYS5556-C00-47	KCM24-11C	chute assembly
HYS5556-C00-19	KC21-03C-05	handle bar	HYS5556-C00-48	KCM24-19	safty fence
HYS5556-C00-20	KC21-03-02BR	upper handle,right	HYS5556-C00-49	KCW-04	cap 6
HYS5556-C00-21	KC21-03C-2	handle bolt	HYS5556-C00-50	KC55-26	plastic washer
HYS5556-C00-22	KC21-03C-04A	control lever,right	HYS5556-C00-51	KC21-23	fence washer
HYS5556-C00-23	KC21-03C-08	handle wاهر	HYS5556-C00-52	KCM24-15C	connecting disc
HYS5556-C00-24	KCM24-04C	auger wire	HYS5556-C00-53	KCM22A-17	chute fixed seating 1
HYS5556-C00-25	S03*00493	B pin 1.5x25	HYS5556-C00-54	KCM22A-18	leaf spring
HYS5556-C00-26	KC21-03C-06A	control lever,left	HYS5556-C00-55	KCM22A-19	chute fixed seating
HYS5556-C00-27	GB/T12-1988	bolt M8X40	HYS5556-C00-56	KC55-24	shovel
HYS5556-C00-28	KCM24-04	panel	HYS5556-C00-57	GB/T12-1988	bolt M6X20
HYS5556-C00-29	KC55-03-04	pre-tension spring	HYS5556-C00-58	GB/T845-1985	self-tapping screw ST4.2*16



Pos.no.	Part no.	Description	Pos.no.	Part no.	Description
HYS5556-01C-1	GB/T5780-2000	hex bolt M10x25	HYS5556-01C-26	GB/T276-1994	ball bearing 6203
HYS5556-01C-2	GB/T 5287-2002	big washer 10	HYS5556-01C-27	KCM24-01C-04	bearing seat
HYS5556-01C-3	KCM24-01-22	belt pulley	HYS5556-01C-28	KCM24-01-08A	left auger
HYS5556-01C-4	GB/T 1096-1979	flat key A6x6x14	HYS5556-01C-29	KCM24-01-09A	output shaft
HYS5556-01C-5	KCM24-01-02	bearing cover	HYS5556-01C-30	KC21-01-03	safety bolt
HYS5556-01C-6	GB/T7810-95	ball bearing SB204	HYS5556-01C-31	KC55-29	B pin
HYS5556-01C-7	KC55-01-21	shovel support	HYS5556-01C-32	KC55-01-06	drive shaft sleeve
HYS5556-01C-8	GB/T845-1985	self tapping screw ST4.2x9.5-F	HYS5556-01C-33	GB/T1096-1979	round head flat key 6x18
HYS5556-01C-9	KCM24-01C-03A	housing assembly	HYS5556-01C-34	GB 13871-1992	seal ring FB19x30
HYS5556-01C-10	GB/T6563-1986	hex screw M8x16	HYS5556-01C-35	KCM24-01-21	washer
HYS5556-01C-11	GB/T12-1988	bolt M8x16	HYS5556-01C-36	GB/T70.3-2000	screw M6x16
HYS5556-01C-12	KC26-01-02	skid shoe plastic	HYS5556-01C-37	KCM24-01-13A	right auger
HYS5556-01C-13	GB/T 889.1-2000	jam nut M8	HYS5556-01C-38	KC55-01-13A	worm
HYS5556-01C-14	GB/T96.2-2002	big washer 8	HYS5556-01C-39	GB/T 5787-1987	bolt M10x15
HYS5556-01C-15	KC55-01-02	skid shoe steel (optional)	HYS5556-01C-40	KC55-01-09A	output shaft sleeve φ19
HYS5556-01C-16	KCM24-01C-06	fan	HYS5556-01C-41	KC55-01-08	worm case right
HYS5556-01C-17	GB/T70.1-2000	Inner Hexagonal Bolt	HYS5556-01C-42	KCM24-01-14	support plate
HYS5556-01C-18	GB/T 889.1-2000	jam nut M6	HYS5556-01C-43	GB/T5780-2000	bolt M6x25
HYS5556-01C-19	KCM24-01-05	worm shaft	HYS5556-01C-44	GB/T301-1995	single thrust bearing 51104
HYS5556-01C-20	GB/T955-1987	wave washer	HYS5556-01C-45	GB/T276-1994	ball bearing 6004
HYS5556-01C-21	GB/T276-1994	ball bearing 6001	HYS5556-01C-46	GB 13871-1992	seal ring FB20x35x7
HYS5556-01C-22	KC55-01-14	worm case left	HYS5556-01C-47	KCM24-01-19A	scraper
HYS5556-01C-23	GB/T9074.17	bolt combination M6x20	HYS5556-01C-48	GB/T12-1988	bolt M8x20
HYS5556-01C-24	KC55-01-12	paper washer	HYS5556-01C-49	DIN6927	hexagon locking-nuts with flange M8
HYS5556-01C-25	KCM24-01C-05	bearing inner seat	HYS5556-01C-50	KCM24-01C-07	fixing seat for chute



Pos.no.	Part no.	Description	Pos.no.	Part no.	Description
HYS5556-02C-1	KCW-04	plastic cap ϕ 8	HYS5556-02C-35	GB/T9074.17-2002	bolt M6x20
HYS5556-02C-2	KCM24-02C-01A	box plate	HYS5556-02C-36	KCM24-02C-06A	transmission welding
HYS5556-02C-3	GB/T9074.17-2002	bolt M6x16	HYS5556-02C-37	KCM24-02C-07	short wire
HYS5556-02C-4	KC21-02-33	inner bearing seat	HYS5556-02C-38	GB/T9074.17-2002	bolt M6x12
HYS5556-02C-5	GB/T276-1994	ball bearing 6000	HYS5556-02C-39	S03*00493	B pin ϕ 1.5x25
HYS5556-02C-6	KC21-02-25	gear	HYS5556-02C-40	KCM24-02C-08	fixing seat for disc support
HYS5556-02C-7	KCM24-02C-02A	friction pulley	HYS5556-02C-41	KC21-02-28	spring
HYS5556-02C-8	KC21-02-12B	rubber wheel seat	HYS5556-02C-42	KCM24-02C-10	shaft
HYS5556-02C-9	GB/T894.1-1986	shaft circlip 25	HYS5556-02C-43	KCM24-02-12	fork rod
HYS5556-02C-10	KCM24-02-14	hexagon shaft	HYS5556-02C-44	GB/T91-2000	open pin ϕ 1.6x25
HYS5556-02C-11	KC21-02-13	slide bearing	HYS5556-02C-45	KCM24-02C-11	friction disc
HYS5556-02C-12	KCM24-02-17A	transmission shaft	HYS5556-02C-46	HTD710-5M	belt HTD710-5M
HYS5556-02C-13	GB/T894.1-1986	shaft circlip 10	HYS5556-02C-47	GB/T276-1994	ball bearing 6202
HYS5556-02C-14	KCM24-02-19A	transmission gear	HYS5556-02C-48	KCM24-02C-12	support of friction disc
HYS5556-02C-15	GB/T9074.17-2002	bolt M8X20	HYS5556-02C-49	GB/T70.3-1986	hex screw M8x14
HYS5556-02C-16	KCM24-02-21A	transmission gear seat	HYS5556-02C-50	KCM24-02C-13	fixing seat for shaft
HYS5556-02C-17	GB/T95-2002	flat washer 10	HYS5556-02C-51	KC55-02-21	small tension pulley
HYS5556-02C-18	GB/T6563-1986	hex screw M8x16	HYS5556-02C-52	GB/T95-2002	flat pad10*20*1
HYS5556-02C-19	KCM24-02C-23	bearing seat	HYS5556-02C-53	KCM24-02C-14	tension parts
HYS5556-02C-20	GB/T889.1-2000	hex jam nut M8	HYS5556-02C-54	KCM24-02C-15A	brake spring
HYS5556-02C-21	GB/T276-1994	ball bearing 6004	HYS5556-02C-55	GB/T12-1988	bolt M8x30
HYS5556-02C-22	KCM24-02C-24	splint nut	HYS5556-02C-56	KCM24-02C-16	small tension plate
HYS5556-02C-23	KCM24-02C-22	drive shaft 13"	HYS5556-02C-57	GB/T5780-2000	hex bolt M8x30
HYS5556-02C-24	GB/T894.1-1986	circlip 20	HYS5556-02C-58	KCM24-02C-17	spring 3
HYS5556-02C-25	GB/T1905-2003	flat key A6X6X22	HYS5556-02C-59	KCFT26-05	tension pulley
HYS5556-02C-26	KCM24-02C-21	drive gear	HYS5556-02C-60	KC90-02-07	plastic sleeve
HYS5556-02C-27	GB/T95-2002	flat key 8	HYS5556-02C-61	GB/T95-2002	flat washer 12
HYS5556-02C-28	KCM24-02C-04	shift connecting plate	HYS5556-02C-62	KCM24-02C-18	tension connector
HYS5556-02C-29	KCM24-02C-05	shift connector	HYS5556-02C-63	KC21-02-2	small shaft sleeve
HYS5556-02C-30	KC21-02C-08	shaft sleeve	HYS5556-02C-64	KC40-28	pulley wheel
HYS5556-02C-31	GB/T889.1-2000	jam nut M6	HYS5556-02C-65	KCM24-02C-19	pulley seat
HYS5556-02C-32	GB/T5780-2000	hex bolt M8x16	HYS5556-02C-66	GB/T5780-2000	hex bolt M6x20
HYS5556-02C-33	GB/T879.2-2000	pin ϕ 6X30	HYS5556-02C-67	KCM24-02C-20	washer
HYS5556-02C-34	KCM24-02-23	hex sets	HYS5556-02C-68	GB/T896-1987	gasket 10