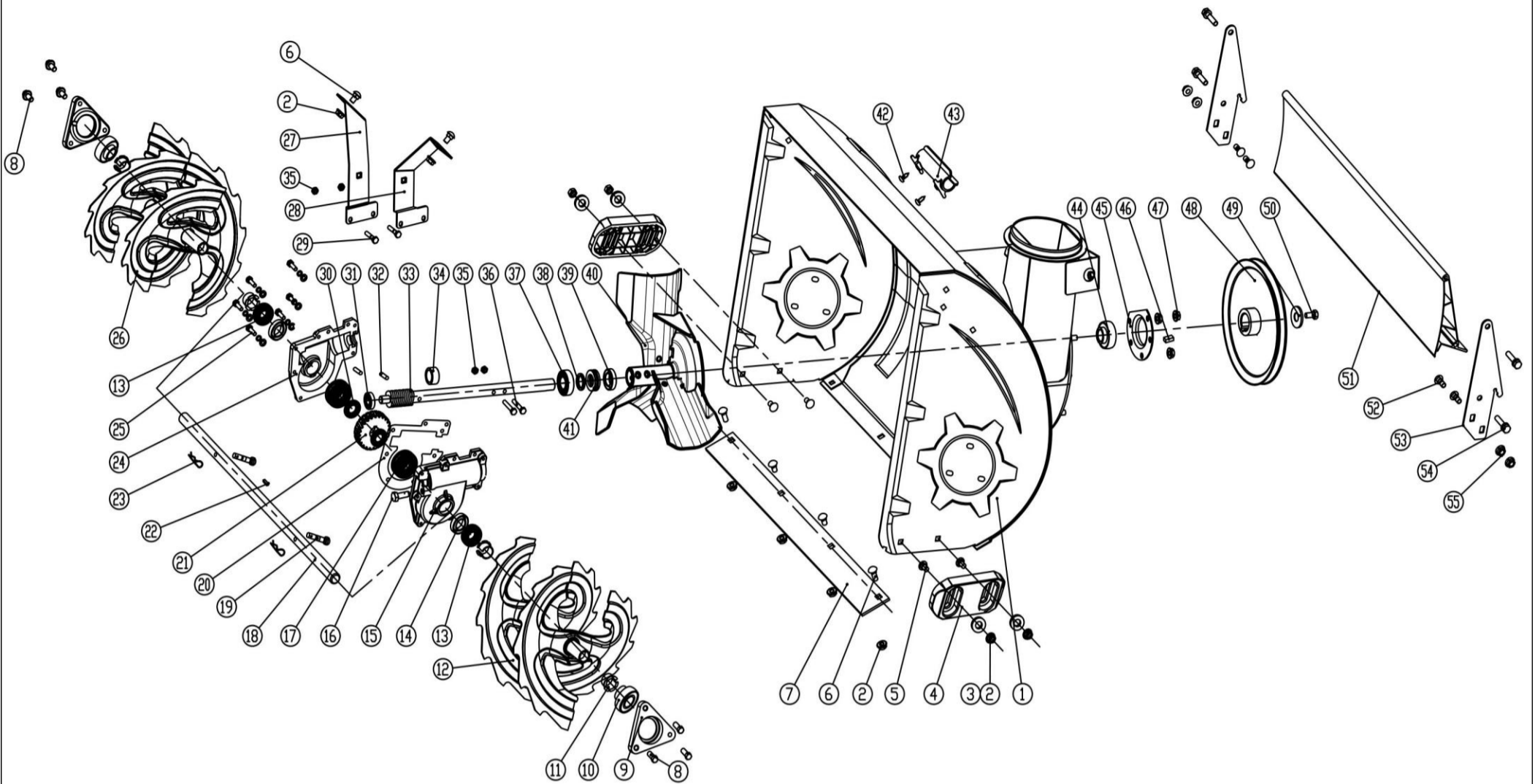
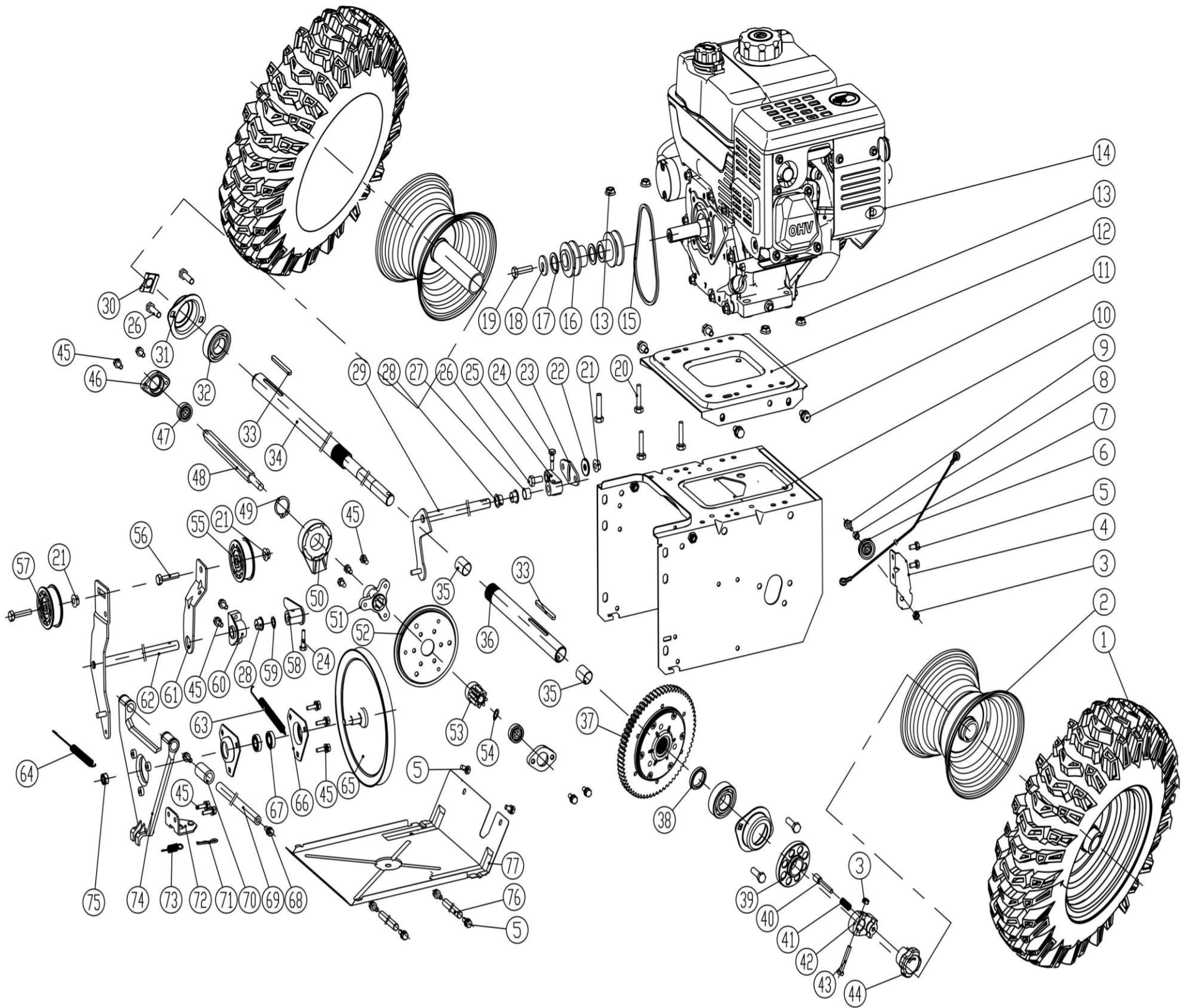


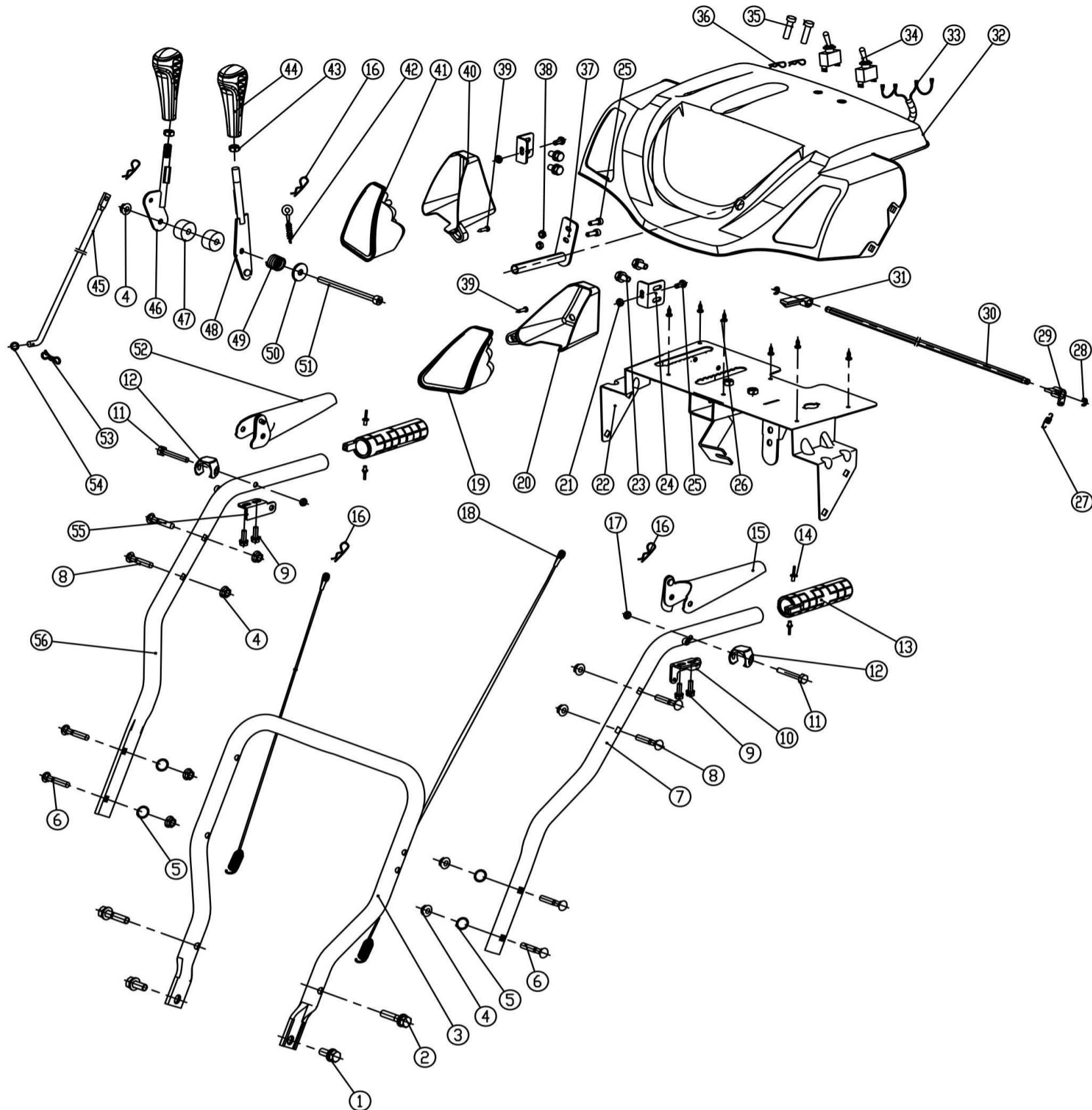
Pos.no.	Part no.	Description	Pos.no.	Part no.	Description
HYS1176-00C-1	KCD26-01A	housing assembly	HYS1176-00C-9	KC21-08C	belt cover
HYS1176-00C-2	GB/T9074.17-1988	bolt M8x20	HYS1176-00C-10	KCD26-02	transmission box
HYS1176-00C-3	3LXP755	belt	HYS1176-00C-11	KCD26-03	handle
HYS1176-00C-4	KC21-12C	side bar left	HYS1176-00C-12	KCD26-04	rotating axle (long)
HYS1176-00C-5	KC21-13C	side bar right	HYS1176-00C-13	KCD26-05	handle
HYS1176-00C-6	KC21-11C	belt rod	HYS1176-00C-14	GB/T5780-2000	bolt M6x12
HYS1176-00C-7	GB/T9074.17-1988	bolt M6x16	HYS1176-00C-15	KCD26-06	chute assembly
HYS1176-00C-8	KC21-15C	washer for belt cover	HYS1176-00C-16	KC55-24	shovel



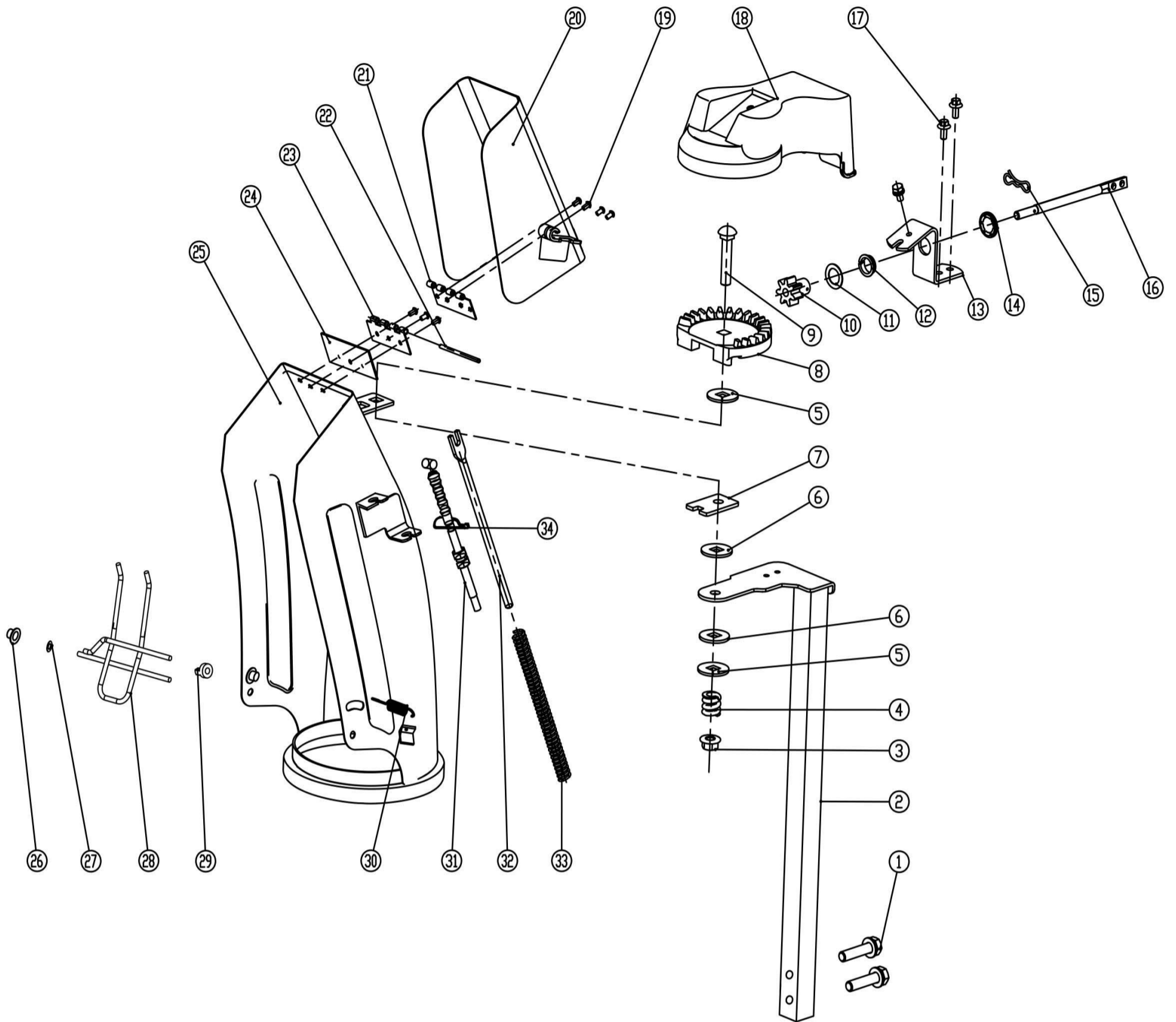
Pos.no.	Part no.	Description	Pos.no.	Part no.	Description
HYS1176-01C-1	KCD26-01-01B	housing	HYS1176-01C-29	GB/T 5780-2000	bolt M6x30
HYS1176-01C-2	GB/T 889.1-2000	jam nut M8	HYS1176-01C-30	KC21-01C-03	washer22
HYS1176-01C-3	GB/T96.1-2002	washer 8	HYS1176-01C-31	GB/T276-1994	bearing 6001
HYS1176-01C-4	KC26-01-02	skid shoe	HYS1176-01C-32	GB/T119-2000	cylindrical pin 6*14
HYS1176-01C-5	GB/T12-1988	bolt M8x20	HYS1176-01C-33	KC21-01-13A	worm shaft
HYS1176-01C-6	GB/T12-1988	bolt M8x16	HYS1176-01C-34	KC21-01-11	sleeve
HYS1176-01C-7	KC21-01-15B	shave plate	HYS1176-01C-35	GB/T6182-2000	jam nut M6
HYS1176-01C-8	GB/T6563-1986	bolt M8x16	HYS1176-01C-36	GB/T 70.1-2000	bolt M6x35
HYS1176-01C-9	KC55-01-04	bearing cover	HYS1176-01C-37	GB/T276-1994	bearing 6004
HYS1176-01C-10	KC55-01-05A	nonstandard bearing	HYS1176-01C-38	KC90-01-17	shaft sleeve
HYS1176-01C-11	KC55-01-06	sleeve	HYS1176-01C-39	GB 13871-1992	sealing ring B20 35
HYS1176-01C-12	KC21-01-02B	right auger	HYS1176-01C-40	KCD26-01-02CA	fan
HYS1176-01C-13	KCA-01-09	plastic washer	HYS1176-01C-41	GB/T301-1995	bearing 51104
HYS1176-01C-14	GB13871-1993	sealing ring 22x30x7	HYS1176-01C-42	GB/T845-1985	screw ST4.2x9.5-F
HYS1176-01C-15	KC21-01C-02	worm case right	HYS1176-01C-43	KC55-01-21	shovel seat
HYS1176-01C-16	GB/T5787-1986	bolt M10x16	HYS1176-01C-44	SB204	bearing SB204
HYS1176-01C-17	KCB31-36	gear box bearing	HYS1176-01C-45	KC55-01-22	round cover
HYS1176-01C-18	KC21-01-07B	output shaft 720	HYS1176-01C-46	GB/T 1096-1979	flat key A6x6x20
HYS1176-01C-19	KC21-01-03	safety bolt	HYS1176-01C-47	DIN6927	jam nut M8
HYS1176-01C-20	KC21-01-09	paper washer	HYS1176-01C-48	KC21-01-6	pulley wheel
HYS1176-01C-21	KC55-01-13	worm gear	HYS1176-01C-49	GB/T5287-2002	super washer 10
HYS1176-01C-22	GB/T 1096-1979	flat key B6x6x18	HYS1176-01C-50	GB/T 5780-2000	bolt M10x25
HYS1176-01C-23	KC55-29	B pin	HYS1176-01C-51	KCD26-01-03B	higher panel 28inch (optional)
HYS1176-01C-24	KC21-01C-04	worm case left	HYS1176-01C-52	GB/T12-1988	bolt M8x20 (optional)
HYS1176-01C-25	GB/T 9074.17	screw M6x25	HYS1176-01C-53	KCD26-01-04C	side plate (optional)
HYS1176-01C-26	KC21-01-05B	left auger	HYS1176-01C-54	GB/T9074.15-1988	bolt M8x20 (optional)
HYS1176-01C-27	KC90-01-06	right support	HYS1176-01C-55	GB/T 889.1-2000	jam nut M8 (optional)
HYS1176-01C-28	KC90-01-07	left support			



Pos.no.	Part no.	Description	Pos.no.	Part no.	Description
HYS1176-02C-1	15X4.8-7	tyre	HYS1176-02C-40	KCD26-02-6	pin
HYS1176-02C-2	KC30A-02-13A	rim	HYS1176-02C-41	KCD26-02-7	spring
HYS1176-02C-3	GB/T899.1-2000	jam nut M6	HYS1176-02C-42	KCD26-02-8	differential seat
HYS1176-02C-4	KCM24-02C-19	pulley seat	HYS1176-02C-43	GB/T5780-2000	bolt M6x40
HYS1176-02C-5	GB/T9074.13-1988	bolt M6x12	HYS1176-02C-44	KC90.02-30	handle
HYS1176-02C-6	KC21-02C-01A	short wire	HYS1176-02C-45	GB/T9074.13-1988	bolt M6x16
HYS1176-02C-7	KC40-28	pulley	HYS1176-02C-46	KC21-02-33	inner bearing seat
HYS1176-02C-8	KC21-02-2	sleeve	HYS1176-02C-47	GB/T276-1994	bearing 6000-ZN
HYS1176-02C-9	GB/T5780-2000	bolt M6x20	HYS1176-02C-48	KC21-02-24	hexagon axis
HYS1176-02C-10	KCD21-02-01A	transmission box	HYS1176-02C-49	GB/T894.1-1986	elastic circlip 25
HYS1176-02C-11	GB/T9074.17-1988	bolt M8x20	HYS1176-02C-50	KC21-02-13	pull bearing
HYS1176-02C-12	KC21-02C-03	engine seat	HYS1176-02C-51	KC21-02-12B	rubber wheel seat
HYS1176-02C-13	DIN6927	jam nut M8	HYS1176-02C-52	KC21-02-11A	rubber wheel
HYS1176-02C-14	LC170FDS	engine	HYS1176-02C-53	KC21-02-25	gear
HYS1176-02C-15	3LXP825	belt	HYS1176-02C-54	GB/T97.1-2002	flat washer φ10Xφ18X2
HYS1176-02C-16	KC21-02C-04	drive pulley	HYS1176-02C-55	KC55-02-21A	small tension pulley
HYS1176-02C-17	KC21-02C-05	washer for drive pulley	HYS1176-02C-56	GB/T5780-2000	bolt M8x30
HYS1176-02C-18	GB/T5287-2002	super washer 8	HYS1176-02C-57	KC55-02-21	small tension pulley
HYS1176-02C-19	GB/T5786-2000	bolt M8x1x30	HYS1176-02C-58	KCM24-02C-18	tension connector
HYS1176-02C-20	GB/T5780-2000	bolt M8x35	HYS1176-02C-59	GB/T955-1987	washer φ12
HYS1176-02C-21	GB/T899.1-200	jam nut M8	HYS1176-02C-60	KC21-02C-09	fixing plate
HYS1176-02C-22	GB/T97.1-2002	flat washer 8	HYS1176-02C-61	KC21-02C-10	small tension plate
HYS1176-02C-23	KC21-02-05	gear adjusting plate	HYS1176-02C-62	KC21-02C-11	big tension assembly
HYS1176-02C-24	GB/T9074.13-1988	bolt M6x20	HYS1176-02C-63	KC90-02-15	spring
HYS1176-02C-25	KC21-02-06A	gear connector	HYS1176-02C-64	KC21-02C-12	brake spring
HYS1176-02C-26	GB/T9074.13-1988	bolt M8x16	HYS1176-02C-65	KC21-02C-13	belt pulley
HYS1176-02C-27	KC21-02-34	washer seat	HYS1176-02C-66	KC90-02-12	triangle bearing seat
HYS1176-02C-28	KC90-02-07	plastic sleeve	HYS1176-02C-67	GB/T276-1997	bearing 6002
HYS1176-02C-29	KC55-02-05	fork	HYS1176-02C-68	GB/T9074.13-1988	bolt M8x16
HYS1176-02C-30	KC90-03-07	elastic plate	HYS1176-02C-69	KC90-02-31	supporting rod
HYS1176-02C-31	KC90-02-11	bearing seat	HYS1176-02C-70	KC55-02-10	sleeve
HYS1176-02C-32	GB/T276-1997	bearing 6205	HYS1176-02C-71	S03*00493	B pin 1.5x25
HYS1176-02C-33	GB/T1095-2003	flat key 6x4x45	HYS1176-02C-72	KC21-02C-14	connecting plate
HYS1176-02C-34	KCD26-02-1	long shaft	HYS1176-02C-73	KC21-02C-17	reset spring
HYS1176-02C-35	KC30A-02-19	bronze sleeve	HYS1176-02C-74	KC21-02C-15	supportor for friction disc
HYS1176-02C-36	KCD26-02-2	short axis	HYS1176-02C-75	GB/T899.1-2000	jam nut M12
HYS1176-02C-37	KCD26-02-3	differential assembly	HYS1176-02C-76	KC55-02-40	support rod
HYS1176-02C-38	KCD26-02-4	washer	HYS1176-02C-77	KC21-02C-16A	bottom plate
HYS1176-02C-39	KCD26-02-5	differential plate			



Pos.no.	Part no.	Description	Pos.no.	Part no.	Description
HYS1176-03C-1	GB/T9074.17-1988	bolt M10x20	HYS1176-03C-29	KC21-03P-13	locking plate
HYS1176-03C-2	GB/T9074.17-1988	bolt M10x45	HYS1176-03C-30	KCD21-03-12	hexagon axis
HYS1176-03C-3	KCD21-03-01	lower handle	HYS1176-03C-31	KC21-03P-11	reset plate
HYS1176-03C-4	GB/T889.1-2000	jam nut M8	HYS1176-03C-32	KCD26-03-05	plastic panel
HYS1176-03C-5	S070047	washer 8	HYS1176-03C-33	KC21-11C	input wire
HYS1176-03C-6	GB/T37-1988	bolt M8x42	HYS1176-03C-34	ASW-07D	switch
HYS1176-03C-7	KCD21-03-02	upper handle welded (left)	HYS1176-03C-35	KC21-01-03	safety bolt
HYS1176-03C-8	GB/T12-1988	bolt M8x40	HYS1176-03C-36	KC55-29	B pin
HYS1176-03C-9	GB/T9074.17-1988	bolt M6x12	HYS1176-03C-37	KCD26-03-06	guiding plate
HYS1176-03C-10	KCD21-03-10	supporter (left)	HYS1176-03C-38	GB/T899.1-2000	jam nut M6
HYS1176-03C-11	KC21-03C-2	handle bolt	HYS1176-03C-39	GB/T845-1985	screw ST4.2x16
HYS1176-03C-12	KC21-03C-08	washer for handle	HYS1176-03C-40	KCD26-03-07	rear cover for light right
HYS1176-03C-13	KC90.04-04	heated handle	HYS1176-03C-41	KCD26-03-08	right light
HYS1176-03C-14	GB/T12618-1990	rivet 4x10	HYS1176-03C-42	KC30A-05-04	deflector wire
HYS1176-03C-15	KC21-03P-09A	left control handle	HYS1176-03C-43	GB/T41-2000	nut M10
HYS1176-03C-16	S03X0493	B pin 1.5x25	HYS1176-03C-44	KC30-03(M1)-2	gear handle
HYS1176-03C-17	GB/T6183.1-2000	jam nut M6	HYS1176-03C-45	KCD21-03-05	gear connector
HYS1176-03C-18	KC21-03C-1	long wire	HYS1176-03C-46	KC30-03-09	walking lever
HYS1176-03C-19	KCD26-03-01	left light	HYS1176-03C-47	KC55-03-05-6	short sleeve
HYS1176-03C-20	KCD26-03-02	rear cover for light left	HYS1176-03C-48	KC30-03-11GGP	deflector lever
HYS1176-03C-21	GB/T899.1-2000	jam nut M6	HYS1176-03C-49	KC55-03-04	preset spring
HYS1176-03C-22	KCD26-03-03	panel support	HYS1176-03C-50	GB/T5287-2002	flat washer $\phi 9 \times \phi 24 \times 2.5$
HYS1176-03C-23	GB/T9074.17-1988	bolt M6x16	HYS1176-03C-51	GB/T70.1-1985	screw M8x120
HYS1176-03C-24	KCD26-03-04	light fixing plate	HYS1176-03C-52	KC21-03P-05A	right control lever
HYS1176-03C-25	GB/T5780-2000	bolt M6x12	HYS1176-03C-53	KC55-29	B Pin
HYS1176-03C-26	GB/T845-1985	screw ST4.2x9-F	HYS1176-03C-54	GB/T97.1-2002	flat washer 8
HYS1176-03C-27	KC21-02-28	stopping spring	HYS1176-03C-55	KCD21-03-11	supporter (right)
HYS1176-03C-28	GB/T896-86	circlip 6	HYS1176-03C-56	KCD21-03-04	upper handle welded (right)



Pos.no.	Part no.	Description	Pos.no.	Part no.	Description
HYS1176-04C-1	GB/T9074.17-1988	bolt M8x40	HYS1176-04C-18	KCD26-06-11	protecting cover
HYS1176-04C-2	KCD26-06-1	chute supporting part	HYS1176-04C-19	GB/T12618-1990	rivet 4x10
HYS1176-04C-3	GB/T6177.1-2000	jam nut M10	HYS1176-04C-20	KC30A-05-9	deflector
HYS1176-04C-4	KCD26-06-2	spring	HYS1176-04C-21	KC30A-05-8	upper hinge
HYS1176-04C-5	KCD26-06-3	pad2	HYS1176-04C-22	KC30A-05-7	axle for hinge
HYS1176-04C-6	KCD26-06-4	pad1	HYS1176-04C-23	KC30A-05-6	lower hinge
HYS1176-04C-7	KCD26-06-5	pad	HYS1176-04C-24	KC30A-05-5	sealing plate
HYS1176-04C-8	KCD26-06-6	rotating seat	HYS1176-04C-25	KCD26-06-12	chute welded
HYS1176-04C-9	GB/T12-1988	bolt M10x60	HYS1176-04C-26	KCW-03	cap
HYS1176-04C-10	KCD26-06-7	gear	HYS1176-04C-27	KC55-26	plastic washer
HYS1176-04C-11	KCD26-06-8	pad3	HYS1176-04C-28	KC30A-05-10	safety railing
HYS1176-04C-12	KCD26-06-9	plastic sleeve 1	HYS1176-04C-29	KC21-23	railing washer
HYS1176-04C-13	KCD26-06-10	fixed plate	HYS1176-04C-30	KC55.03-17	spring 2
HYS1176-04C-14	KCM24D-6-5	bearing clampC15	HYS1176-04C-31	KC30A-05-4	deflector wire
HYS1176-04C-15	KC55-29	B pin	HYS1176-04C-32	KC30A-05-3	support rod
HYS1176-04C-16	KCM24D-6-3	rotating shaft (short)	HYS1176-04C-33	KC30A-05-2	spring
HYS1176-04C-17	GB/T9074.17-1988	bolt M6x12	HYS1176-04C-34		nylon tie 2.5*150