

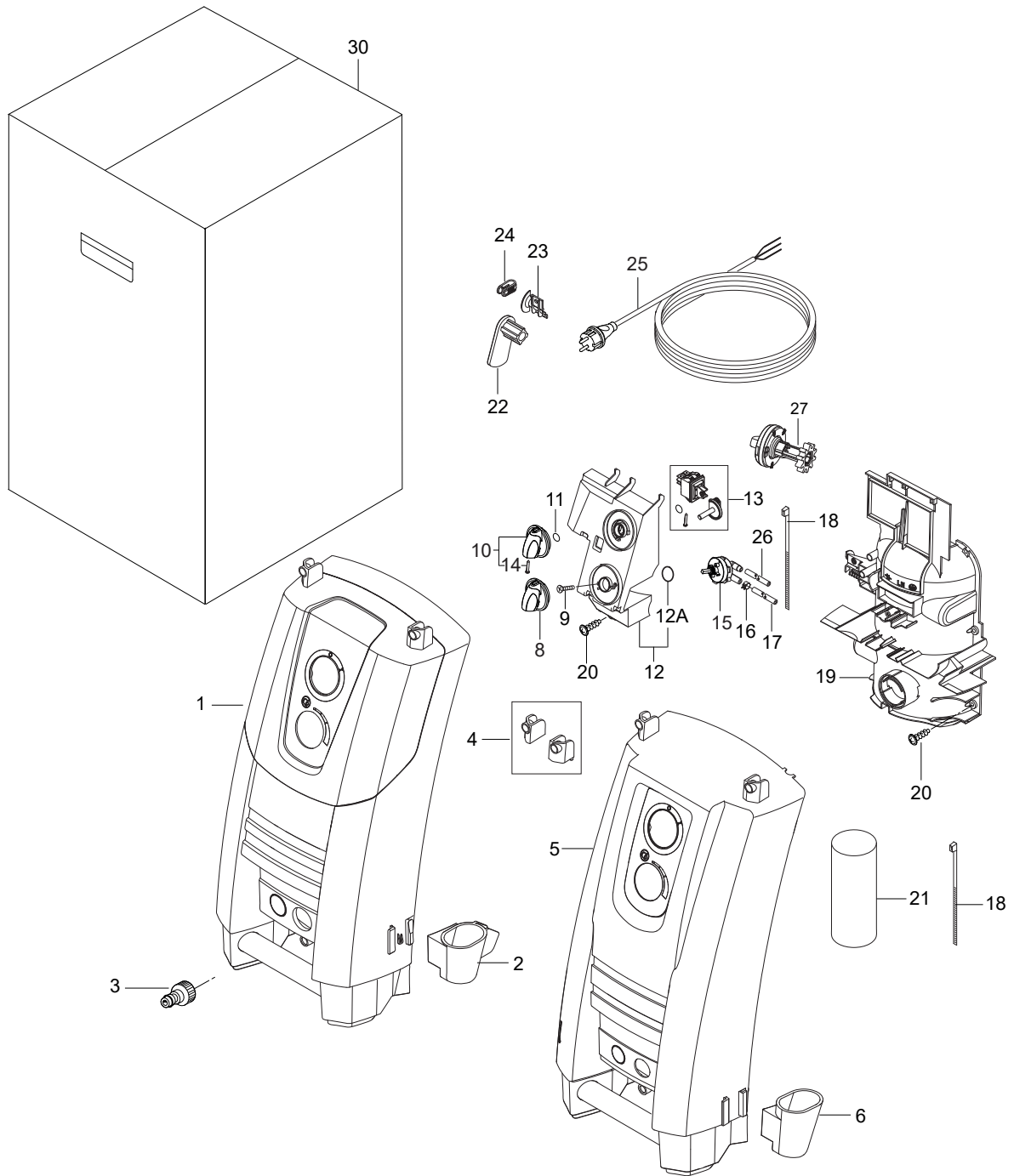
PARTS LIST



2022.01.11

TABLE OF CONTENTS

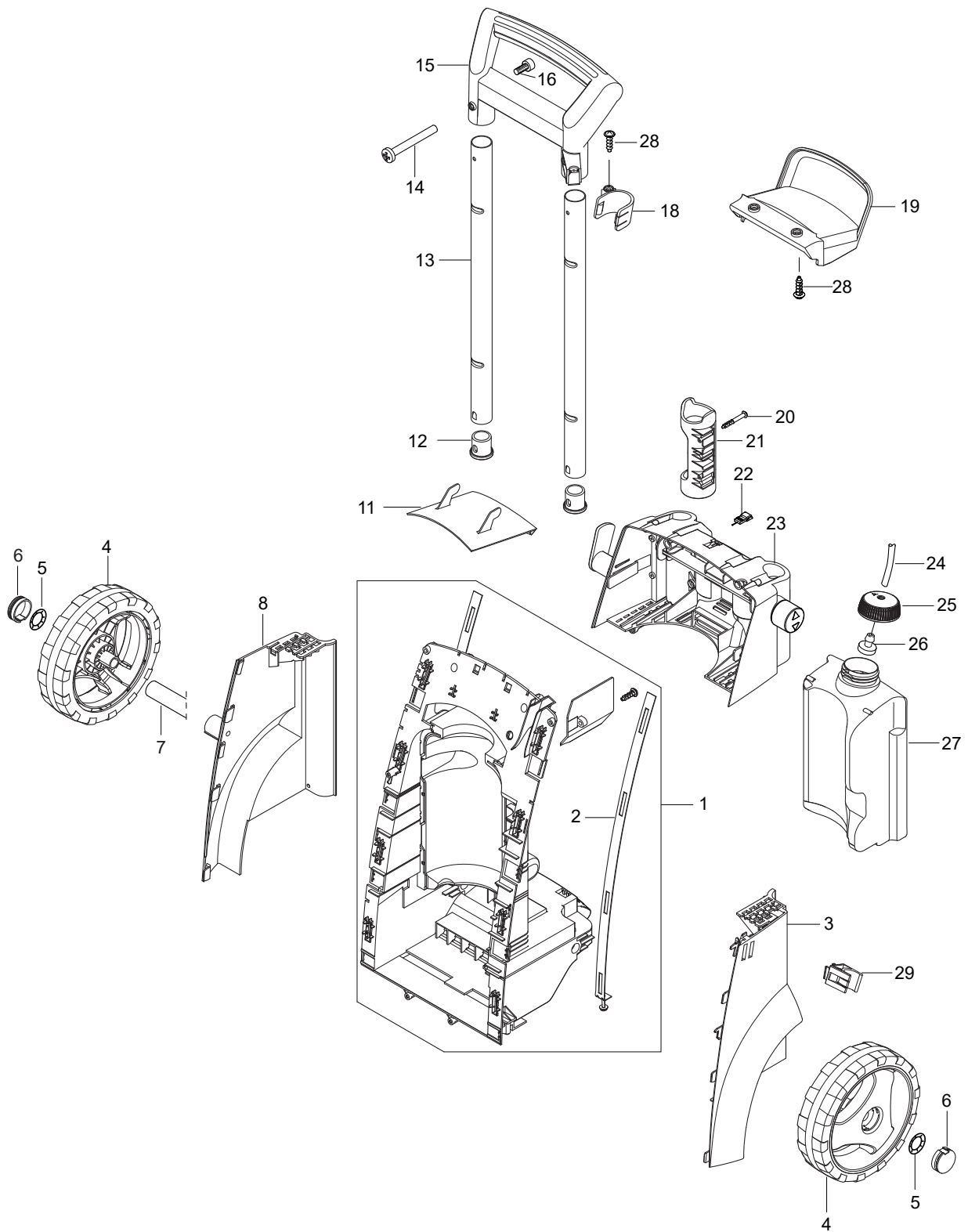
Overview Front.....	1
Overview Back parts.....	3
Motor pump unit.....	5
Hose reel.....	7



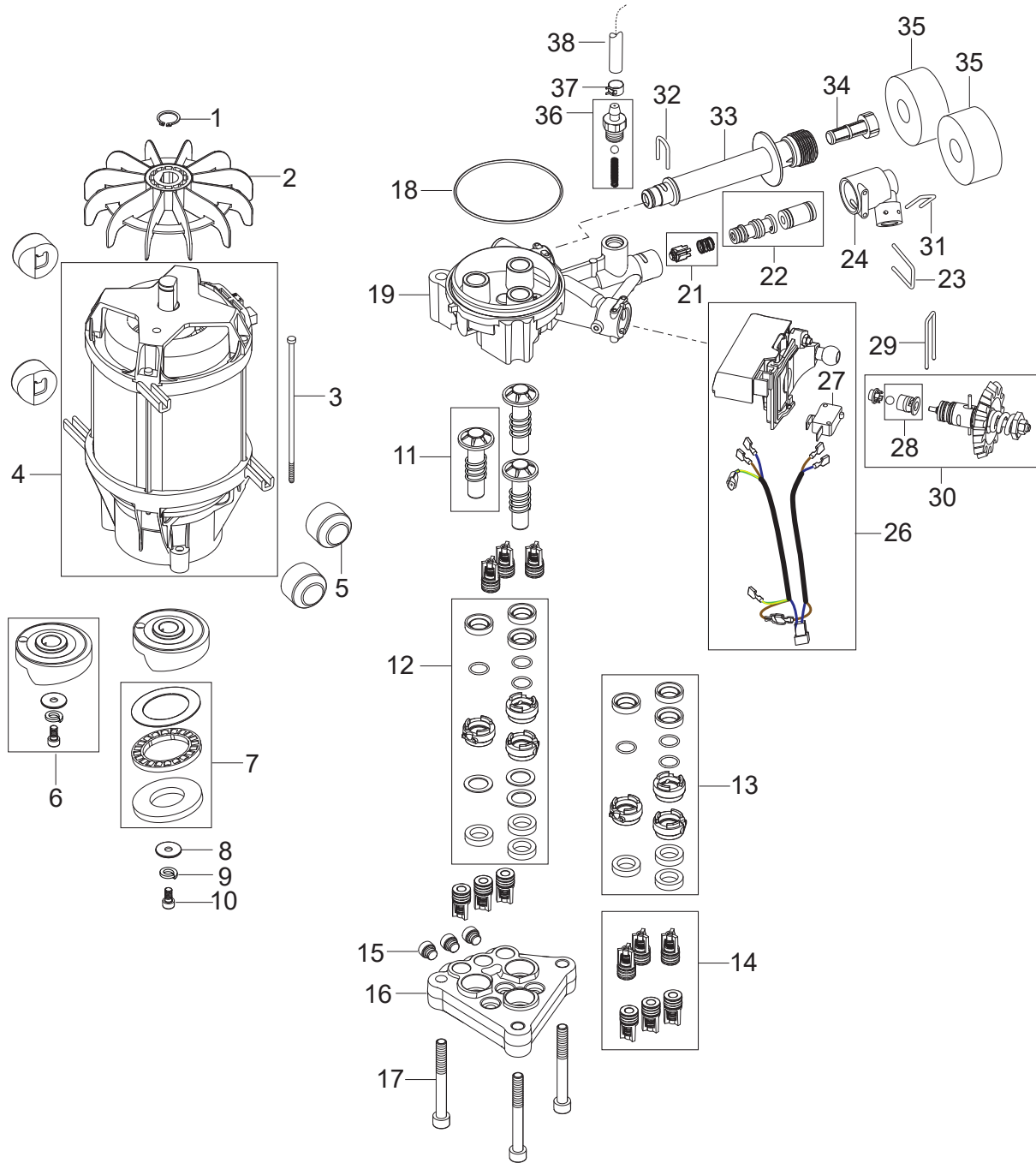
No.	Part No.	Qty.	Description	Part Note
1	128501296	1	FRONT COVER PREMIUM 180	
1	128501297	1	FRONT COVER PREMIUM 190	
2	128500104	1	LOWER LANCE HOLDER SP	
3	1402809	1	GARDENA COMPATIBLE MALE COUPLING 3/4	
4	128500146	1	BRACKET F.HOSEREEL HOLDER SP	
5	128501298	1	FRONT COVER PREMIUM 190 PLUS	
6	128501299	1	LOWER LANCE HOLDER PLUS	
8	909100214	1	ROTARY KNOB GR.1 4KT. 6X6+8X8 BLUE	
9	1814730	2	SCREW 35X10B W1423	
10	909100204	1	ROTARY KNOB 6X5 ALTO BLUE	
11	9868	1	O-RING 10.2X2.5 NBR 70SH	
12	128501271	1	SWITCHBOX SP	
12A	128501278	1	O-RING 16.1 X 1.6 70SH	
13	128500978	1	PRO MAIN SWITCH KIT	
14	32526	1	TREAD-CUTTING SCREW 2.9X19 C ISO 1483 ZN	
15	128500106	1	DOSING VALVE ANGLED SP	
16	1814679	1	HOSE CLIP R12	
17	4973	1	HOSE Ø6X3	
17	101406100	1	HOSE DN 6X3 5M	
18	1814741	1	CABLE TIE	
19	128501276	1	MOTOR SHIELD FRONT SP	
20	107141838	10	SCREW K50X18 WN1451 BLACK TORX20	
21	128500154	1	CAPACITOR 100UF DI.SP	
21	128500148	1	CAPACITOR 50UF 450V DI. SP	
22	128500155	1	ROTARY CABLE HOOK BLACK SP	
23	128500121	1	CABLE RELIEF P12374 SP	
24	128500122	1	CABLE CLIP 16A SP	
25	128500123	1	CABLE W PLUG L.5000 EU SP	
25	128500125	1	CABLE W PLUG L.5000 GB SP	[1]
25	128500157	1	CABLE W.PLUG L.5000 ZA SP	[2]
25	128500158	1	CABLE W.PLUG L.5000 CH SP	
25	128500159	1	CABLE W.PLUG L.5000 JP SP	
25	128500896	1	PVC CABLE W.PLUG EU SP	
25	128500899	1	PVC CABLE W.PLUG 5000 GB SP	
25	128500900	1	PVC CABLE W.PLUG AU/NZ SP	
26	106408241	1	HOSE PVC 1/4INCH TRANSPARENT - 2 METERS	
27	128501300	1	KNOB FLOW REGULATION BLUE	
30	128501301	1	BOX 10PCS P180/P190 X-TRA	
30	128501302	1	BOX 10PCS 4C 190 PREMIUM PLUS	
30	128501310	1	10 PCS 4C BOX PREM 190 W. GOLD STICKER	

Part Notes:

- [1] - STOCK COVERS GUARANTEE
- [2] - GUARANTEE DATE EXPIRED



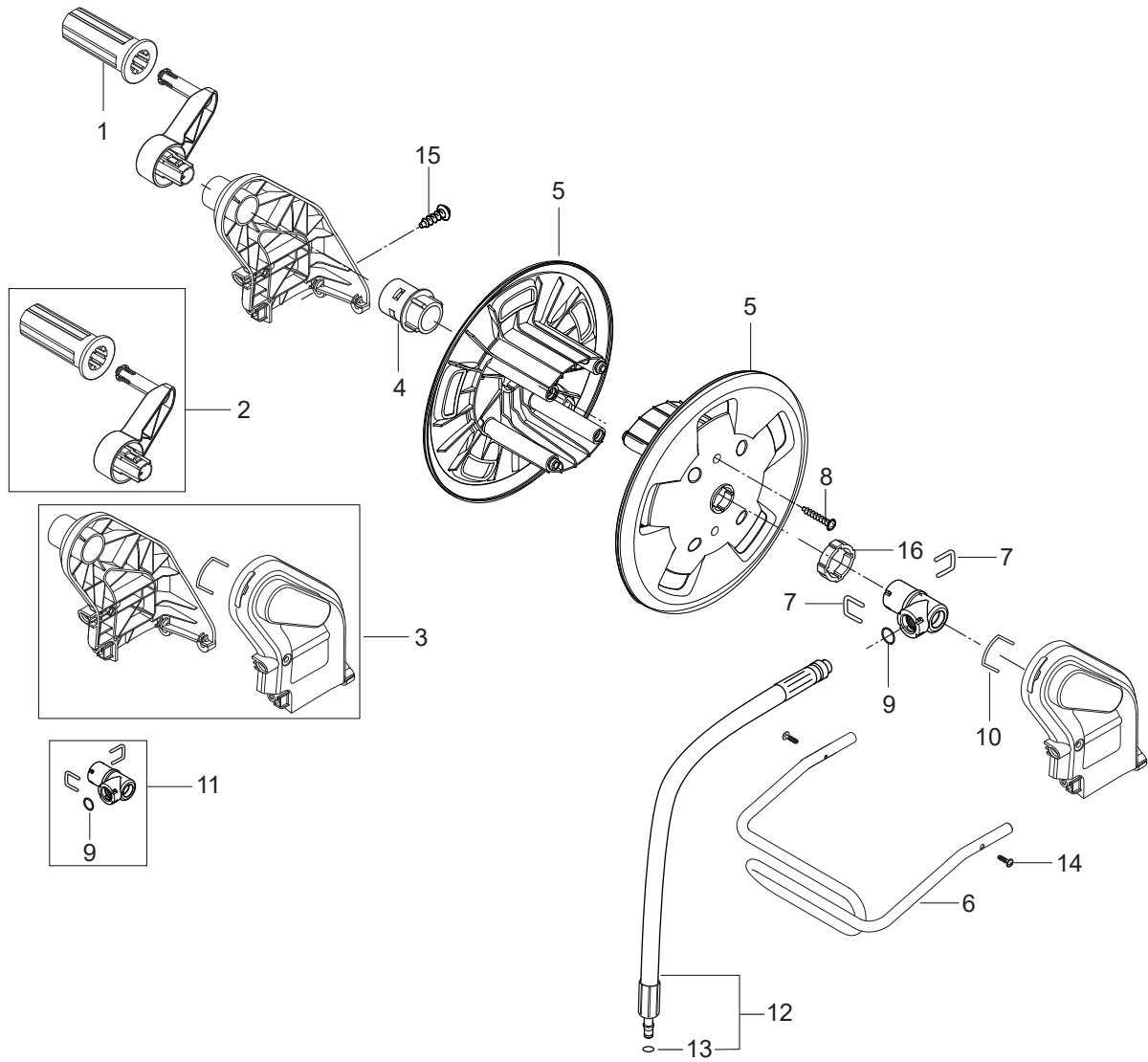
No.	Part No.	Qty.	Description	Part Note
1	128501279	1	CHASSIS BLACK COMPLETE SP	
2	128500128	2	SLIDER COMPLETE SP	
3	128501327	1	SIDE BUMPER LEFT BLACK	
4	128500107	1	NILFISK WHEEL OPEN 200MM SP	
5	11710	2	CLAMPING RING Ø10 1PCS	
6	128500118	2	WHEEL CAP ALU SP	
7	6522842	1	AXLE 15X333 P12476	
8	128500116	1	SIDEBUMBER RIGHT SP	
11	128500135	1	UMBRELLA SP	
12	128500134	2	STOP FOR TELESCOPIHANDLE SP	
13	128500133	2	TELESCOPIC TUBES SP	
14	128500130	1	NUT FOR HANDLE M4X35 SP	
15	128500205	1	HANDLE COMPLETE BLUE SP	
16	128500132	2	SCREW M4X8 DZN7985 TX20 SP	
18	128500143	1	LANCE HOLDER TOP SP	
19	128500144	1	HOSE HOOK SP	
20	128500203	1	SCREW K50X45 WN1451 SP	
21	128500136	1	GUN HOLDER SP	
22	6520844	1	CLEANING TOOL BLACK	
23	128500207	1	ACCESSORYSTORAGE XT BLUE SP	
24	106408241	1	HOSE PVC 1/4INCH TRANSPARENT - 2 METERS	
25	107141664	1	CAP FOR DETERGENT TANK	
26	128500141	1	DETERGENT FILTER SP	
27	128500142	1	DETERGENT TANK SP	
28	1814732	3	SCREW K50X18	
29	128501303	1	MIDDLE LANCE HOLDER BLACK	



No.	Part No.	Qty.	Description	Part Note
1	127500051	1	LOCK RING	
2	127500040	1	NEW FAN	
3	7180924	4	STUD 145 MM	
4	128500169	1	MOTOR 3.3KW SP	
5	128332334	4	RACK FOR MOTOR	
6	128500172	1	WOBBLE DISC 10 DEGREE SP	
7	1119705	1	BEARING REPAIR KIT	
8	127130066	1	WASHER D22XD6.4X1.5	
9	127500050	1	SPRING WASHER	
10	3913	1	SCREW M6X12	
11	6528577	3	PISTON.CERAMIC REP.KIT	[1]
	127440042	1	CERAMIC PISTON KIT 3 PCS	[1]
11	6526016	3	PISTON STAINLESS REP. KIT	[2]
	301000836	1	PISTON STAINLESS REP.KIT 3PCS	[2]
12	128500178	1	REP SEALING SYS CERAMIC SP	[1]
13	128500179	1	REP SEALING SYS STAINLESS SP	[2]
14	6526026	1	VALVE SYSTEM REPAIRE KIT	
15	6528586	3	PLUG WITH O-RING	
16	6528616	1	REP-KIT CYLINDER HEAD PLUS 0.3	
16	127440028	1	CYLINDERHEAD	
17	1814597	3	CYLINDER SCREW M8X70 DIN 912-8.8 ZN	
18	3003654	1	O-RING 80X2 NBR 70SH	
19	128500981	1	CYLINDER BLOCK W/O MANOMETER	
21	128500183	1	NON RETURN VALVE SP	
22	128500184	1	INJECTOR 1.64MM SP	
23	128501328	1	U-PIN 3X20.3X45	
24	128500187	1	DYNAMIC OUTLET XTRA SP	
26	128500188	1	MICRO SWITCH BOX SYSTEM SP	
27	128500196	1	MICROSWITCH SP	
28	128500190	1	EASY START SP	
29	128500191	1	LOCK BRACKET SP	
30	128500192	1	VALVE PISTON COMPLETE SP	
31	6525619	1	LOCK BRACKET. SMALL	
32	128500200	1	LOCK BRACKET SP	
33	128500194	1	WATER INLET SP	
34	128500195	1	INLET FILTER MESH SP	
35	126486792	2	FOAM SEAL FOR OUTLET & INLET	
36	6528615	1	HOSE TAIL	
37	1814679	1	HOSE CLIP R12	
38	4973	1	HOSE Ø6X3	
38	101406100	1	HOSE DN 6X3 5M	

Part Notes:

- [1] - Premium 190
- [2] - Premium 180



No.	Part No.	Qty.	Description	Part Note
1	128501304	1	HANDLE GRIP BLUE	
2	128501305	1	HANDLE FOR HOSE REEL KIT	
3	128501306	1	HOSE REEL SUPPORT KIT	
4	128500869	1	AXLE FOR HOSE REEL	
5	6528570	2	HOSE REEL	
6	128501307	1	HOSE GUIDE	
7	6526487	2	LOCK BRACKET SS	
8	128500595	2	SCREW K50X35 WN1452 BLACK TORX	
9	3002144	1	O-RING 14.3X2.4 NBR 70SH	
10	127440229	1	LOCK BRACKET	
11	127440011	1	ADAPTOR SYSTEM ALTO	
12	128501308	1	CONNECTION HOSE	
13	3004108	1	O-RING 5.28X1.78 NITRIL 90 SH	
14	1814730	2	SCREW 35X10B W1423	
15	107141838	2	SCREW K50X18 WN1451 BLACK TORX20	
16	128500167	1	WASHER FOR HOSE REEL SP	

