

POSEIDON 3

Model:

POSEIDON 3-16
POSEIDON 3-20
POSEIDON 3-24
POSEIDON 3-26
POSEIDON 3-28
POSEIDON 3-30
POSEIDON 3-40



Part List US-English

24-05-2011

Nilfisk
ALTO
works for you

www.nilfisk-alto.com

Table of Contents

POSEIDON 3

Frame	3
Cabinet	5
Motor	7
Pump for single phase machines	9
Pump for three phase-machines	11
Electric box	13
Default accessories	16
Hose reel POSEIDON 3	18
Recommended spare parts	20

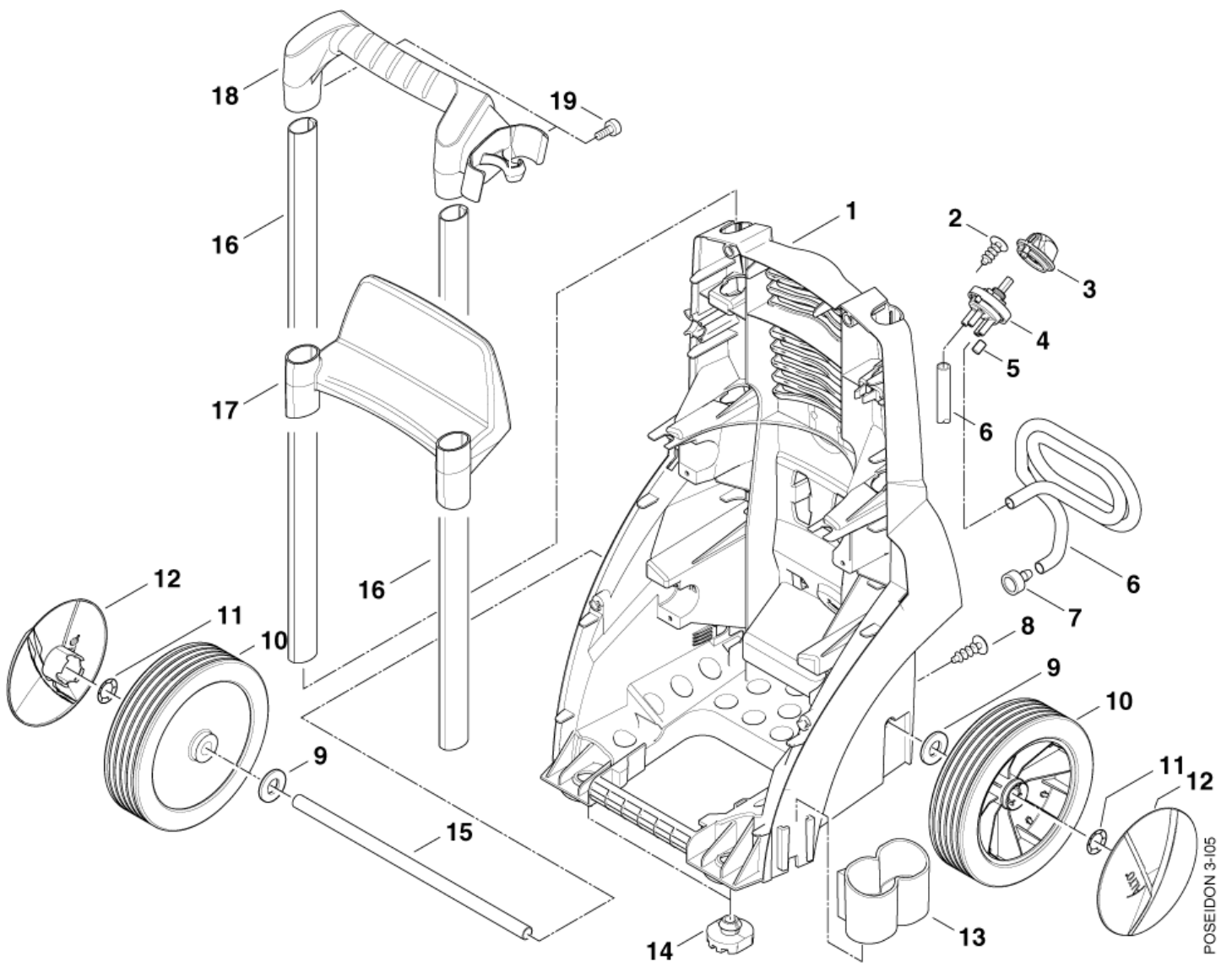
Frame

POSEIDON 3

24-05-2011

Part List ID
POSEIDON305

3



POSEIDON 3-105

Frame

POSEIDON 3

24-05-2011

Part List ID
POSEIDON305

4

Pos	Part no.	Qty	Description		EAN
0	101117819	1	PACKING REP KIT POSEIDON 3	NOT SHOWN	4005337163
1	301002289	1	BASE FRAME POSEIDON 3		4005337158
2	1814730	2	SCREW 30X10B		5701715363
3	909100214	1	ROTARY KNOB GR.1 4KT. 6X6+8X8 BLUE		4005337026
4	301001000	1	VALVE 51X70		4005337028
5	301001906	2	CLOSING CAP Ø12X21.5		4005337068
6	5206636	1	HOSE 6/10	* SEE NOTE	5701715046
7	6400240	1	FILTER		5701715097
8	101814782	2	SCREW K50X18 WN 1451 TORX 20		4005337170
9	909100426	2	WASHER 16 17X30X30 DIN 34815 PA		4005337105
10	6528568	2	WHEEL		5701715379
11	1814643	2	LOCKWASHER		5701715269
12	6522843	2	WHEEL CAP BLUE P12476		5701715378
13	301002300	1	LANCE HOLDER BOTTOM DOUBLE POSEIDON 3		4005337166
14	301002301	2	FOOT POSEIDON 3		4005337089
15	301002304	1	AXLE 15X1.5		4005337089
16	301002305	2	PROFIL 25X35		4005337089
17	301002292	1	HOOK FOR HOSE	PP Standard	4005337089
18	301002290	1	HANDLE POSEIDON 3		4005337089
19	909100425	6	SCREW M6X12 CE T30 DIN 7500 ST/ZN		4005337105
20	301002745	2	HOOK FOR HOSE FRONT	PP	4005337115

* NOTE: PLEASE INDICATE LENGTHS IN METRES WHEN ORDERING

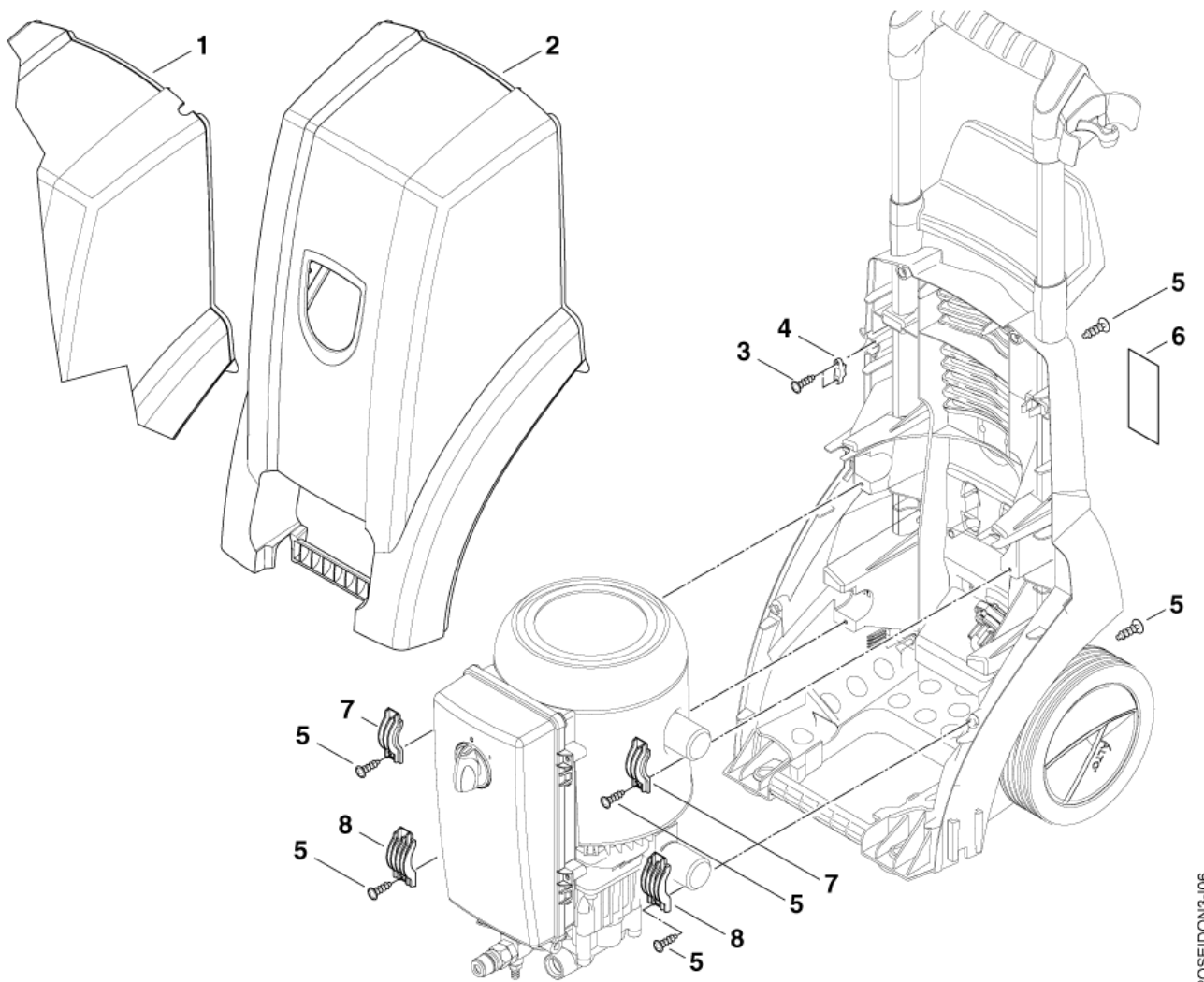
Cabinet

POSEIDON 3

24-05-2011

Part List ID
POSEIDON306

5



Cabinet

POSEIDON 3

24-05-2011

Part List ID
POSEIDON306

6

Pos	Part no.	Qty	Description		EAN
1	301002295	1	COVER PRINTED POSEIDON 3-XT	XT-models	4005337104
2	301002294	1	COVER PRINTED POSEIDON 3	Standard	4005337089
3	909100443	2	SCREW K30X18T12 WN5452		4005337119
4	3806262	1	STRAIN RELIEF BRACKET 27.		5701715042
5	101814782	6	SCREW K50X18 WN 1451 TORX 20		4005337170
6	48083	1	LABEL 40X60 G		4005337480
7	301002296	2	BRACKET FOR MPU SUSPENSION 25X66		4005337103
8	301002297	2	BRACKET FOR MPU SUSPENSION 29X71		4005337089

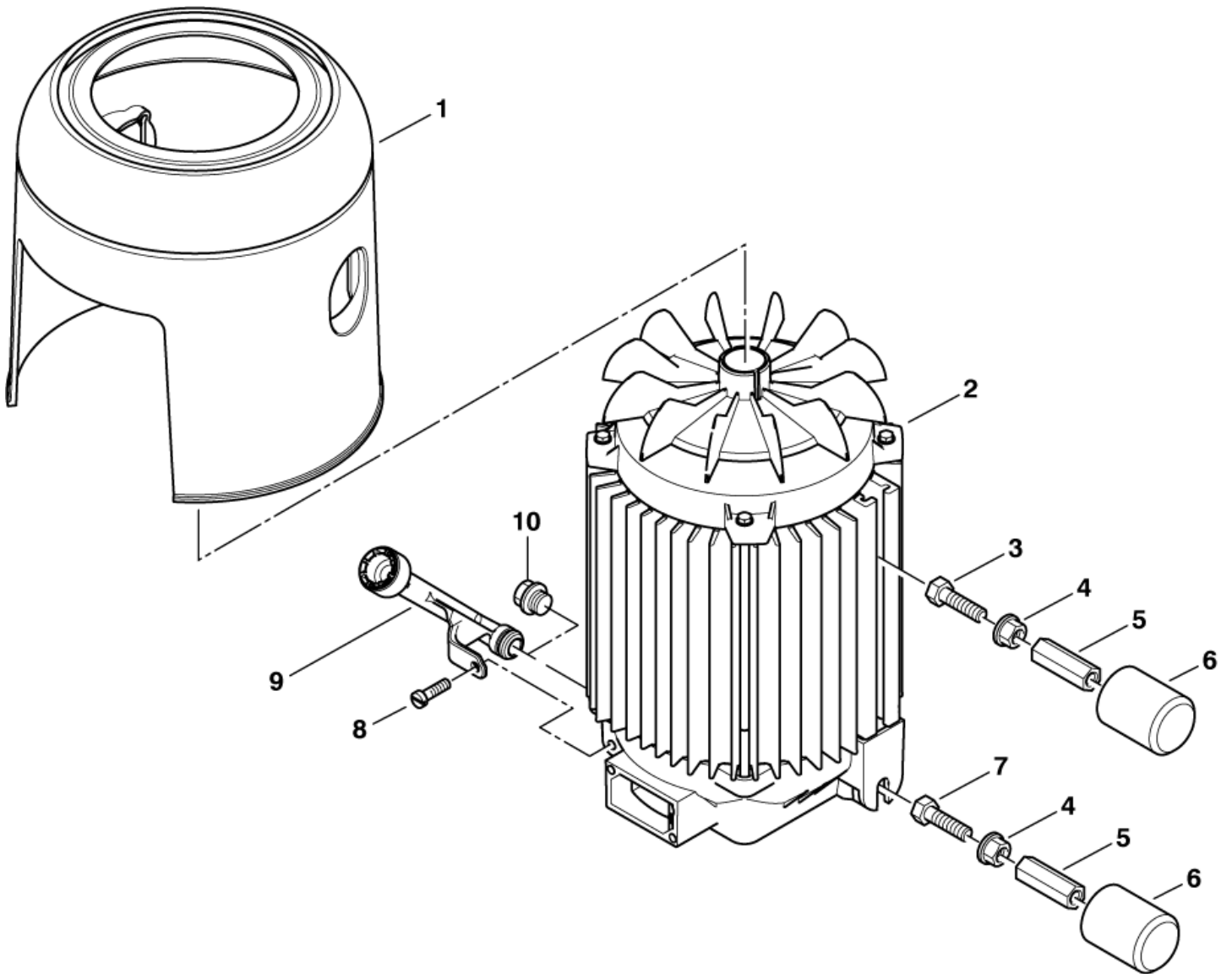
Motor

POSEIDON 3

24-05-2011

Part List ID
POSEIDON301

7



Motor

POSEIDON 3

24-05-2011

Part List ID
POSEIDON301

8

Pos	Part no.	Qty	Description		EAN
1	301002299	1	FAN CAP PP		4005337089
2	301002235	1	MOTOR 200V 3.7KW MEC90 2P	*JP*	
2	301002248	1	Motor 110-120V 1-1,2 kW MEC90 2p	110V UK	4005337101
2	301002250	1	MOTOR 2,6KW/230/1	230/1/50, 220/1/60	4005337089
2	301002251	1	MOTOR 3,7KW/230/400/3	3-	4005337101
3	2753	2	HEX. SCREW M8X20 ISO 4017 ZN		4005337027
4	61467	4	HEXAGON NUT M8		4005337614
5	301002303	4	SPACER		4005337089
6	301002298	4	SUSPENSION		4005337089
7	27372	2	SCREW M8X20 DIN 6921		4005337273
8	909100424	1	SCREW M5X16 CE T25 DIN 7500 ST/ZN	Up to serie no.2009892793/35/09	4005337105
9	301002331	1	EXTENSION OIL PLUG POSEIDON 3	Up to serie no.2009892793/35/09	4005337101
10	101117919	1	OIL PLUG INCL. O-RING	See TSB-PPW-2009-008	5715492055

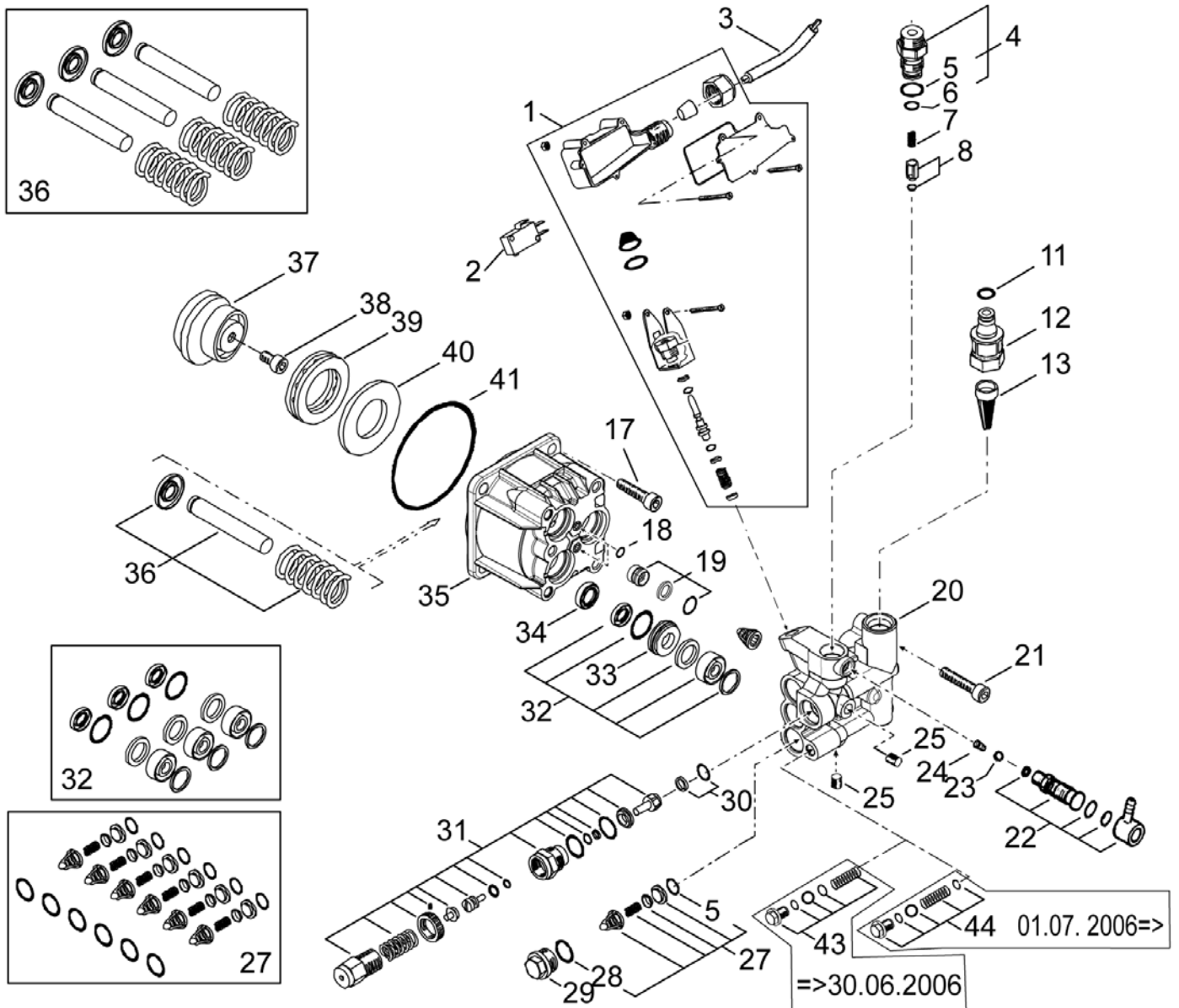
Pump for single phase machines

POSEIDON 3

24-05-2011

Part List ID
POSEIDON303

9



Pump for single phase machines

POSEIDON 3

24-05-2011

Part List ID
POSEIDON303

10

Pos	Part no.	Qty	Description		EAN
-	909100414	1	PUMP OIL ROTH A THT 1LTR	0,18 l	4005337103
1	101117656	1	START/STOP BOX KIT	See TSB: TSB-PPW-2010-023 Start-stop kit	
2	301002325	1	MICRO SWITCH		4005337099
3	301002326	1	CABLE H05VV-F 2X1,5X700		4005337099
4	301002551	1	INJECTOR REPAIR KIT		4005337106
5	3002029	7	O-RING 12.42X1.78 NITRIL 70 SH		5701715038
6	103004325	1	O-RING 15.6X1.78 ARP AS 568 A EPDM70		5701715332
7	909100428	1	SPRING Ø 8X10		4005337106
8	106162556	1	CHECK VALVE KIT		5701715419
11	9146	1	O-RING 10,77X2,62 ARP		4005337091
12	301002549	1	QUICK COUPELER		4005337106
13	301002548	1	FILTER		4005337106
17	8894	4	SCREW M8 X 20 8.8 DIN		4005337088
18	6480272	2	O-RING 2.9x1.78 ARP AS 568 A NBR70		5701715226
19	106162567	3	SUCTION VALVE PLUG KIT		5701715419
20	301002545	1	VALVE BLOCK	Note: Kit Easy Start	4005337106
21	9543	4	CYLINDER SCREW M8X55 ISO 4762 ST 8.8/ZN		4005337095
22	301002547	1	VALVE		4005337106
23	32554	1	BALL Ø5		4005337325
24	909100427	1	SPRING Ø 8X10		4005337106
25	301002546	2	PLUG		4005337106
26	301002550	1	PLUG	*UK* =>30.06.2006]	4005337106
27	301002562	1	KIT VALVE (6X)		4005337106
28	3002045	6	O-RING 17.17X1.78 NITRIL 70 SH		5701715038
29	301002544	3	PLUG		4005337106
30	106162562	1	VALVE SEAT KIT - DISCHARGER		5701715419
31	106162552	1	REGULATION VALVE COMPL.		4005337115
32	301002561	1	KIT THRUST COLLAR		4005337106
33	301002570	3	PACKING RING Ø14/28X11,5		4005337107
34	301002569	3	OIL SEAL		4005337107
35	301002560	1	PUMP HOUSING 1PH		4005337106
36	301002565	1	PISTON KIT FOR GXR STAINLESS STEEL		4005337107
37	301002556	1	WOBBLE DISC 10,5 'E'	230/50 *EU*CN*	4005337106
37	301002567	1	WOBBLE DISC 10	230-240/50 *AU*CH*DK*	4005337106
37	301002595	1	WOBBLE DISC 8,5 DEGREE C GRX	*KR*	
37	301002596	1	WOBBLE DISC 9 'D'	*GB*US*	4005337107
38	8894	1	SCREW M8 X 20 8.8 DIN		4005337088
39	909100432	1	ROLLER BEARING 51109		4005337106
40	301002557	1	PAD		4005337106
41	909100431	1	O-RING 85.0x3.0 SMS 1586 NBR70		4005337106
43	301003094	1	KIT EASY START UP TO JUNE 2006	=>30.06.2006]	4005337123
44	301003095	1	KIT EASY START FROM JULY 2006	[01.07.2006=>	4005337123

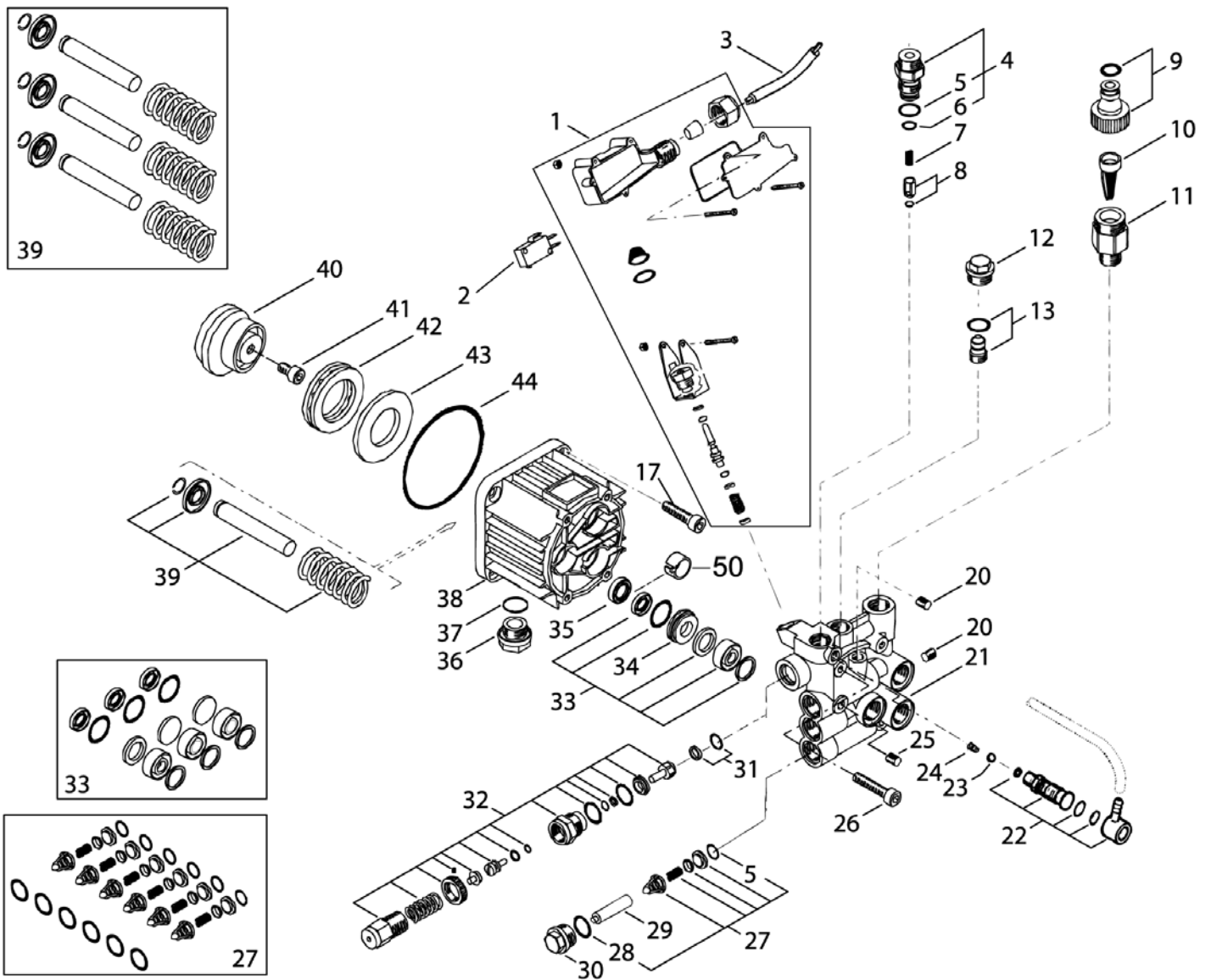
Pump for three phase-machines

POSEIDON 3

24-05-2011

Part List ID
POSEIDON304

11



Pump for three phase-machines

POSEIDON 3

24-05-2011

Part List ID
POSEIDON304

12

Pos	Part no.	Qty	Description		EAN
-	909100414	1	PUMP OIL ROTH A THT 1LTR	0,18 l	4005337103
1	101117656	1	START/STOP BOX KIT	See TSB: TSB-PPW-2010-023 Start-stop kit	
2	301002325	1	MICRO SWITCH		4005337099
3	301002326	1	CABLE H05VV-F 2X1,5X700		4005337099
4	301002579	1	INJECTOR		4005337107
5	3002029	7	O-RING 12.42X1.78 NITRIL 70 SH		5701715038
6	103004325	1	O-RING 15.6X1.78 ARP AS 568 A EPDM70		5701715332
7	909100428	1	SPRING Ø 8X10		4005337106
8	106162556	1	CHECK VALVE KIT		5701715419
9	32541	1	GARDENA MALE 3/4		4005337325
10	301002548	1	FILTER		4005337106
11	301002572	1	Nipple		4005337107
12	301002577	1	PLUG		4005337107
13	301002578	1	PLUG		4005337107
17	8894	4	SCREW M8 X 20 8.8 DIN		4005337088
20	301002546	2	PLUG		4005337106
21	301002575	1	VALVE BLOCK		4005337107
22	301002547	1	VALVE		4005337106
23	32554	1	BALL Ø5		4005337325
24	909100427	1	SPRING Ø 8X10		4005337106
25	301002546	1	PLUG		4005337106
26	1801455	4	HEXAGONAL SCREW M8X50		5701715419
27	301002562	1	KIT VALVE (6X)		4005337106
28	3002045	6	O-RING 17.17X1.78 NITRIL 70 SH		5701715038
29	301002574	2	SPACER SLEEVE Ø 5		4005337107
30	301002544	6	PLUG		4005337106
31	106162562	1	VALVE SEAT KIT - DISCHARGER		5701715419
32	106162552	1	REGULATION VALVE COMPL.		4005337115
33	301002561	1	KIT THRUST COLLAR		4005337106
34	301002586	3	PACKING RING Ø 14/28X11,5		4005337107
35	301002569	3	OIL SEAL		4005337107
36	301002585	1	PLUG 1/2		4005337107
37	3000825	1	O-RING 20.24X2.62 NITRIL 70SH		5701715037
38	301002584	1	PUMP HOUSING 3PH		4005337107
39	301002564	1	PISTON KIT FOR AXR STAINLESS STEEL		4005337107
40	301002566	1	WOBBLE DISC 11	400/50 *EU*	4005337106
40	301002568	1	WOBBLE DISC 9.5	220-440/60 *EXP*	4005337106
41	8894	1	SCREW M8 X 20 8.8 DIN		4005337088
42	909100432	1	ROLLER BEARING 51109		4005337106
43	301002557	1	PAD		4005337106
44	909100435	1	O-RING 92.0x3.0 SMS 1586 NBR70		4005337107
50	31000287	1	SPACER KIT 3 PCS		5715492068

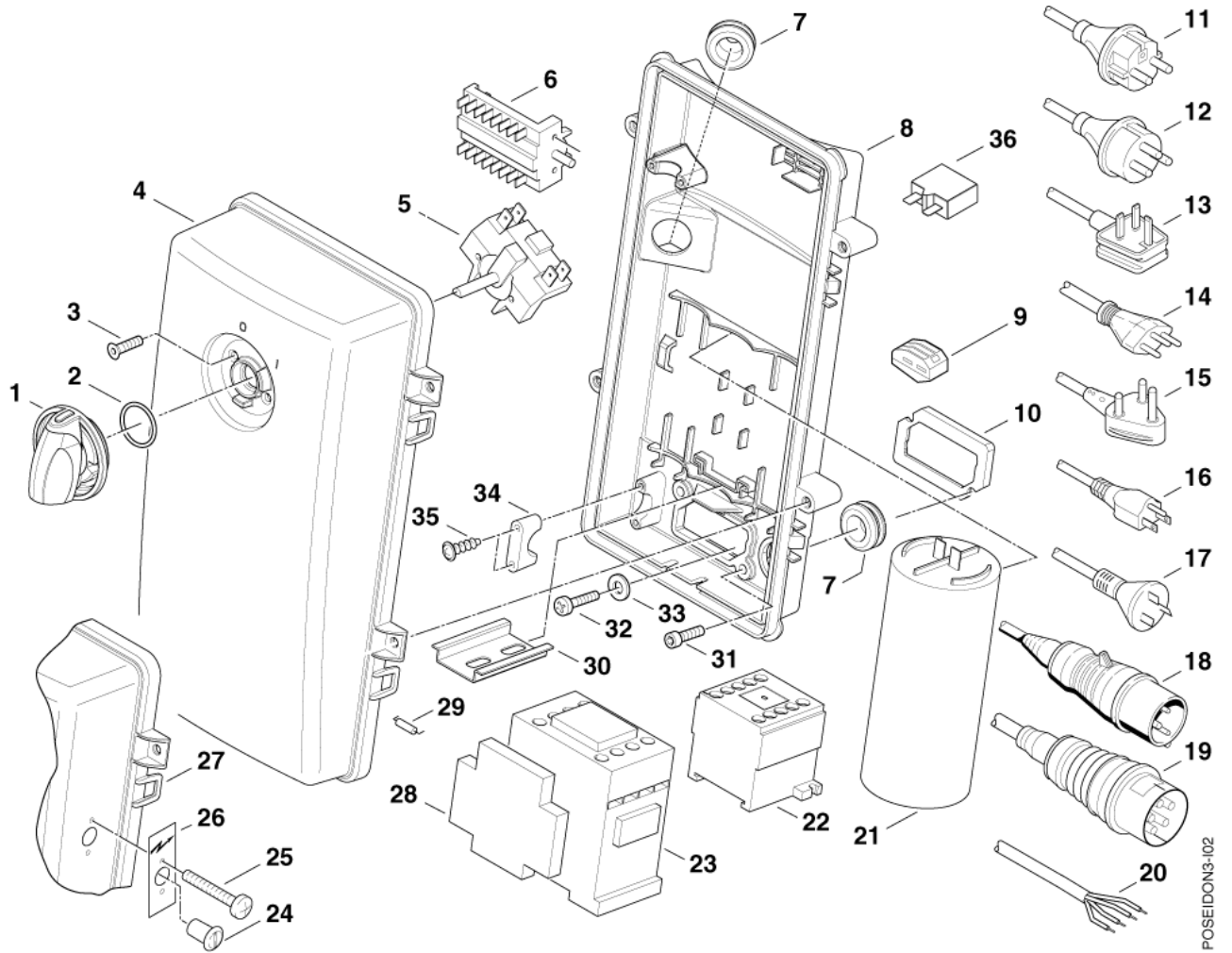
Electric box

POSEIDON 3

24-05-2011

Part List ID
POSEIDON302

13



POSEIDON3-102

Electric box

POSEIDON 3

24-05-2011

Part List ID
POSEIDON302

14

Pos	Part no.	Qty	Description	EAN
1	909100204	1	ROTARY KNOB 6X5 BLUE	4005337689
2	9868	1	O RING DIA 10X2,5	4005337098
3	18274	2	COUNTERSUNK SCREW M4X12	4005337182
4	301002282	1	SWITCH CASE HOUSING UPPER PART	4005337089
5	301001058	1	CAM SWITCH 0-1 10A 400VAC	4005337030
6	64579	1	SWITCH START/TRIANGLE 16A	* SEE NOTE 4005337645
7	301002284	2	GROMMET	4005337089
8	301002281	1	SWITCH CASE HOUSING LOWER PART	4005337089
9	301001229	1	SNAP-ON CLIP 3X4QMM 400V 24A GREY	400/3 4005337038
10	301002283	1	GASKET SWITCHBOX	4005337089
11	7180226	1	POWER CORD RN-F 3G1.5X6M CEE7/VI	*EU*EXP* 5701715137
12	7180228	1	POWER CORD RN-F 3G1.0X6M SRAF	*DK* 5701715234
13	7180225	1	POWER CORD RN-F 3G1.5X6	*GB* 4005337132
14	7180227	1	POWER CORD RN-F 3G1.0X6M SNV	*CH* 5701715413
15	301002337	1	POWER CORD RN-F 3G1.5X6M SABS 164	*ZA* 4005337104
16	3821142	1	POWER CORD SJTWA WG 12/3X11	*US* 5701715008
17	301002336	1	POWER CORD RN-F 3G1.0X6M AS3112	*AU* 4005337104
18	301001992	1	POWER CORD H07BQ-F 3G4X6.0 CEE 32A4H	*GB,110V* 4005337070
19	63499	1	POWER CORD H07RN-F 4G1.5X6M	*EU* 400/3/50 4005337634
20	63501	1	POWER CORD H07RN-F 4G1.5X6M	* SEE NOTE 4005337635
20	7180229	1	POWER CORD VCT 3X2.0X6M	*JP* 4005337134
21	301001017	1	CAPACITOR 60MF 450V W/ FERRULES	110V 60 mF 4005337028
21	301002320	1	CAPACITOR 70MF /450V P0 FSH6.3	230V *EU* 220V *EXP* 4005337099
21	301003179	1	CAPACITOR 50MF/450V WITH WIRE	110V 50 mF 4005337134
22	103822300	1	CONTACTOR CJX2-D12-V7 400V	400/3 4005337165
23	103822304	1	CONTACTOR CJX2-D18-P7 230V	* SEE NOTE 4005337178
23	103822310	1	CONTACTOR CJX2-D25-M7 200V	*JP* 5715492057
23	103822316	1	CONTACTOR CJX2-D32-F7 110V	110V UK 5715492057
24	64580	1	ROTARY KNOB	* SEE NOTE 4005337645
25	3389	2	CYLINDER SCREW M4X20 ISO 1207 ZN	* SEE NOTE 4005337033
26	64586	1	LABEL	230/400/3/50 *BE*NO* 4005337645
26	64787	1	LABEL 220-440V CHANGE-OVER 74X28	220/440/3/60 *EXP* 4005337647
27	301002317	1	SWITCH BOX COVER	* SEE NOTE 4005337106
28	64773	1	AUXILIARY CONTACT 100-SBL11	* SEE NOTE 4005337647
29	301000074	1	RESISTOR 470 OHM 3W	* SEE NOTE 4005337008
30	22290	1	MOUNTING RAIL TS35 ST/ZN	3-, PLS. INDICATE LENGTH IN METRES 4005337222
31	909100424	2	SCREW M5X16 CE T25 DIN 7500 ST/ZN	4005337105
32	909100423	1	SCREW M4X 6 CE T20 DIN 7500 ST/ZN	4005337105
33	4021	1	SERRATED LOCK WASHER A4	4005337040
34	3806262	1	STRAIN RELIEF BRACKET 27.	5701715042
35	909100443	2	SCREW K30X18T12 WN5452	4005337119

* NOTE: 230/400/3/50 *BE*NO*, 220/440/3/60 *EXP*

** NOTE: 3-16 *JP*GB*, 3-26, 3-28, 3-30, 3-30, |20.03.2006=>

Electric box

POSEIDON 3

24-05-2011

Part List ID
POSEIDON302

15

Pos	Part no.	Qty	Description		EAN
36	301002322	1	FUSE 16AMPS TYPE 1658	** SEE NOTE	4005337099
36	301002324	1	FUSE 12AMPS TYPE 1658	3-24 20.03.2006=>	4005337099
36	301002659	1	FUSE 20A TYPE 1658	3-30 *US*,*KO* 20.3.2006 =>	4005337112
99	301003169	1	POWER CORD YZW300/500 3G1.5X6M CCC	*CN* without illustration	4005337132

* NOTE: 230/400/3/50 *BE*NO*, 220/440/3/60 *EXP*

** NOTE: 3-16 *JP*GB*, 3-26, 3-28, 3-30, 3-30, |20.03.2006=>

Default accessories

POSEIDON 3

24-05-2011

Part List ID
POSEIDON309

16

No Drawing For Part List

Default accessories

POSEIDON 3

24-05-2011

Part List ID
POSEIDON309

17

Pos	Part no.	Qty	Description		EAN
-	106402281	1	FLEXOPOWER PLUS 990 BEND W/O NOZ.		4005337167
-	106402290	1	TURBOHAMMER PLUS 1125 STRAIGHT W11 0450		4005337174
-	106402292	1	TURBOHAMMER PLUS 1125 STRAIGHT W11 0550		4005337167
-	106403122	1	ERGO 2000 STANDARD W. HOSE SWIVEL		4005337168
0	101117763	1	HP HOSE DN6 15 FOR HW AND SWIVEL		4005337160
0	101119496	1	ERGO COUPLING KIT		5701715304
0	101119737	1	NOZZLE 0370 INDICATION RING BRONZE	3-26	5701715324
0	101119738	1	NOZZLE 0400 INDICATION RING METAL GREY	3-30	5701715324
0	101119739	1	NOZZLE 0435 INDICATION RING BLUE	3-16, 3-30 US, 3-30 32A 110/1/50 GB	5701715324
0	101119740	1	NOZZLE 0450 INDICATION RING LIGHT BLUE	3-40	5701715324
0	101119742	1	NOZZLE + INDICATION RING 0530	3-24	5701715324
0	102802728	1	TURBO HAMMER 04 W11	3-26,3-30	5701715294
0	301002275	1	10 M WIRE HOSE DN6		4005337089
0	301002343	1	HOSE REEL KIT POSEIDON 3		4005337109
1	106402141	1	FLEXOPOWER 3000 LANCE 920 W/O NOZZLE	Up to 2010	5701715324
1	106402170	1	TURBOHAMMER 0450 W11 3000 LANCE 1070	3-16, 3-40 - up to 2010	5701715324
1	106402175	1	TURBOHAMMER 0550 W11 3000 LANCE 1070	3-24 10A - up to 2010	5701715329
1	301002410	1	ERGO 1000	Up to 2010	4005337088

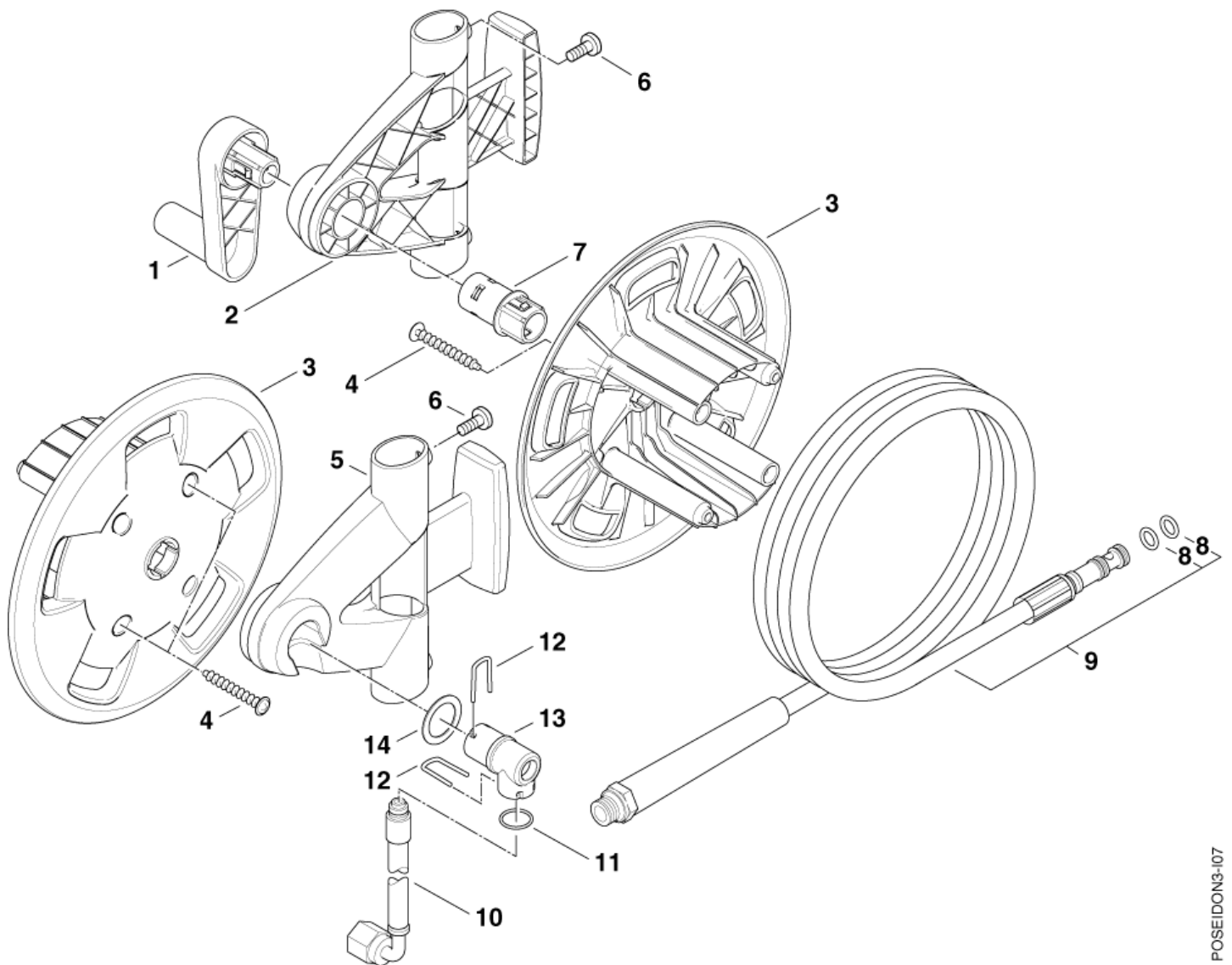
Hose reel POSEIDON 3

POSEIDON 3

24-05-2011

Part List ID
POSEIDON307

18



POSEIDON3-I07

Hose reel POSEIDON 3

POSEIDON 3

24-05-2011

Part List ID
POSEIDON307

19

Pos	Part no.	Qty	Description	EAN
0	301002343	1	HOSE REEL KIT POSEIDON 3	4005337109
1	6528569	1	HOSE REEL HANDL	5701715379
2	301002274	1	HOSE REEL ADAPTOR RH PP	4005337089
3	6528570	2	HOSE REEL	5701715379
4	101814782	4	SCREW K50X18 WN 1451 TORX 20	4005337170
5	301002272	1	HOSE REEL ADAPTOR LH PP	4005337089
6	909100425	4	SCREW M6X12 CE T30 DIN 7500 ST/ZN	4005337105
7	301002273	1	ADAPTOR	4005337089
8	3004321	2	O-RING 10X2 ULTRATHAN	5701715280
9	101117763	1	HP HOSE DN6 15 FOR HW AND SWIVEL	4005337160
10	301002271	1	HOSE Ø6X850	4005337089
11	3002144	1	O-RING 14.3X2.4 NITRIL 70 SH	5701715038
12	6526487	2	LOCK BRACKET SS	5701715239
13	6127990	1	CONNECTOR Ø14/Ø14	5701715419
14	6127995	1	WASHER	5701715280

Recommended spare parts

POSEIDON 3

24-05-2011

Part List ID
POSEIDON312

20

No Drawing For Part List

Recommended spare parts

POSEIDON 3

24-05-2011

Part List ID
POSEIDON312

21

Pos	Part no.	Qty	Description		EAN
A	301002322	1	FUSE 16AMPS TYPE 1658	A	4005337099
A	301002324	1	FUSE 12AMPS TYPE 1658	A	4005337099
A	301002548	1	FILTER	A	4005337106
A	301002561	1	KIT THRUST COLLAR	A	4005337106
A	301002562	1	KIT VALVE (6X)	A	4005337106
A	301002659	1	FUSE 20A TYPE 1658	A	4005337112
A	909100414	1	PUMP OIL ROTH THT 1LTR	A	4005337103
B	106162552	1	REGULATION VALVE COMPL.	B	4005337115
B	301002565	1	PISTON KIT FOR GXR STAINLESS STEEL	B	4005337107
C	101117763	1	HP HOSE DN6 15 FOR HW AND SWIVEL	C	4005337160
C	103822300	1	CONTACTOR CJX2-D12-V7 400V	C	4005337165
C	103822304	1	CONTACTOR CJX2-D18-P7 230V	C	4005337178
C	103822310	1	CONTACTOR CJX2-D25-M7 200V	C	5715492057
C	103822316	1	CONTACTOR CJX2-D32-F7 110V	C	5715492057
C	301001017	1	CAPACITOR 60MF 450V W/ FERRULES	C	4005337028
C	301001058	1	CAM SWITCH 0-1 10A 400VAC	C	4005337030
C	301002235	1	MOTOR 200V 3.7KW MEC90 2P	C	
C	301002248	1	Motor 110-120V 1-1,2 kW MEC90 2p	C	4005337101
C	301002250	1	MOTOR 2,6KW/230/1	C	4005337089
C	301002251	1	MOTOR 3,7KW/230/400/3	C	4005337101
C	301002271	1	HOSE Ø6X850	C	4005337089
C	301002320	1	CAPACITOR 70MF /450V P0 FSH6.3	C	4005337099
C	301002547	1	VALVE	C	4005337106
C	301002556	1	WOBBLE DISC 10,5 'E'	C	4005337106
C	301002557	1	PAD	C	4005337106
C	301002564	1	PISTON KIT FOR AXR STAINLESS STEEL	C	4005337107
C	301002566	1	WOBBLE DISC 11	C	4005337106
C	301002567	1	WOBBLE DISC 10	C	4005337106
C	301002568	1	WOBBLE DISC 9.5	C	4005337106
C	301002595	1	WOBBLE DISC 8,5 DEGREE C GRX	C	
C	301002596	1	WOBBLE DISC 9 'D'	C	4005337107
C	301003179	1	CAPACITOR 50MF/450V WITH WIRE	C	4005337134
C	64773	1	AUXILIARY CONTACT 100-SBL11	C	4005337647
C	909100432	1	ROLLER BEARING 51109	C	4005337106