

# POSEIDON 5 >03.2008I

Model:

POSEIDON 5-21  
POSEIDON 5-28  
POSEIDON 5-31  
POSEIDON 5-32  
POSEIDON 5-43  
POSEIDON 5-51  
POSEIDON 5-54  
POSEIDON 5-58  
POSEIDON 5-62  
POSEIDON 5-63  
POSEIDON FAVORITE



Part List US-English

26-05-2011

**Nilfisk**  
**ALTO**  
works for you

[www.nilfisk-alto.com](http://www.nilfisk-alto.com)

# Table of Contents

POSEIDON 5 >03.2008I

<b>Cabinet</b>	<b>3</b>
<b>Frame</b>	<b>5</b>
<b>Motor</b>	<b>7</b>
<b>Pump, oiltank</b>	<b>10</b>
<b>Pump, kits</b>	<b>12</b>
<b>Cylinder head</b>	<b>14</b>
<b>Control safety block (a)</b>	<b>16</b>
<b>Control safety block (b)</b>	<b>18</b>
<b>Pumps complete</b>	<b>20</b>
<b>Electric box</b>	<b>22</b>
<b>Default accessories</b>	<b>25</b>
<b>Hose reel POSEIDON 5</b>	<b>27</b>
<b>Total check kits, recommended spare parts</b>	<b>29</b>

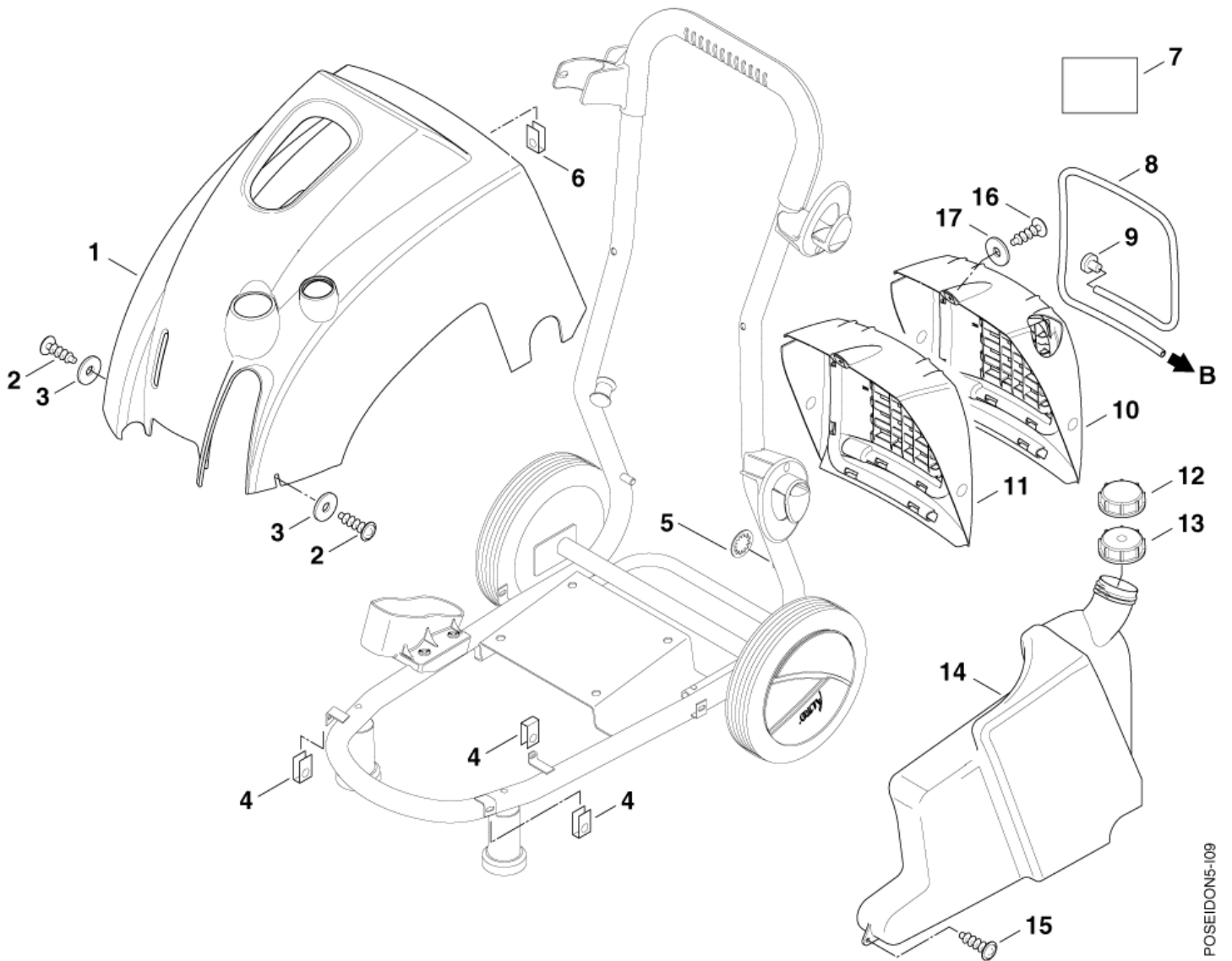
# Cabinet

POSEIDON 5 >03.2008I

26-05-2011

Part List ID  
POSEIDON509

3



# Cabinet

POSEIDON 5 >03.2008I

26-05-2011

Part List ID  
POSEIDON509

4

Pos	Part no.	Qty	Description	EAN
1	301000763	1	COVER BLUE	4005337024
2	40107	2	SCREW 4.8X13	4005337401
3	2763	2	WASHER 5.3X1	4005337027
4	63946	3	SPRING NUT 4.8X3	4005337639
5	5639	1	CLAMPING RING 10X2	4005337056
6	909100161	1	SPRING NUT 3.9X2.5	4005337035
7	48083	1	LABEL 40X60 G	4005337480
8	5206636	1	HOSE 6/10	* SEE NOTE 5701715046
9	6400240	1	FILTER	5701715097
10	301000759	1	REAR COVER BLACK PP	on models with hose reel 4005337024
11	301000838	1	REAR COVER F. MACHINES W/HOSE REEL	on models without hose reel 4005337024
12	80493	1	COVER-CAN 65X22	4005337804
13	301001004	1	CLOSING CAP W.HOLE Ø65X22	4005337028
14	301000761	1	DETERGENT TANK 409X127X312.3 PE	4005337024
15	40107	1	SCREW 4.8X13	4005337401
16	30776	1	SHEET METAL SCREW 3.9X16	4005337307
17	24353	1	WASHER 4.3X1	4005337243

\* NOTE: PLEASE INDICATE LENGTHS IN METRES WHEN ORDERING

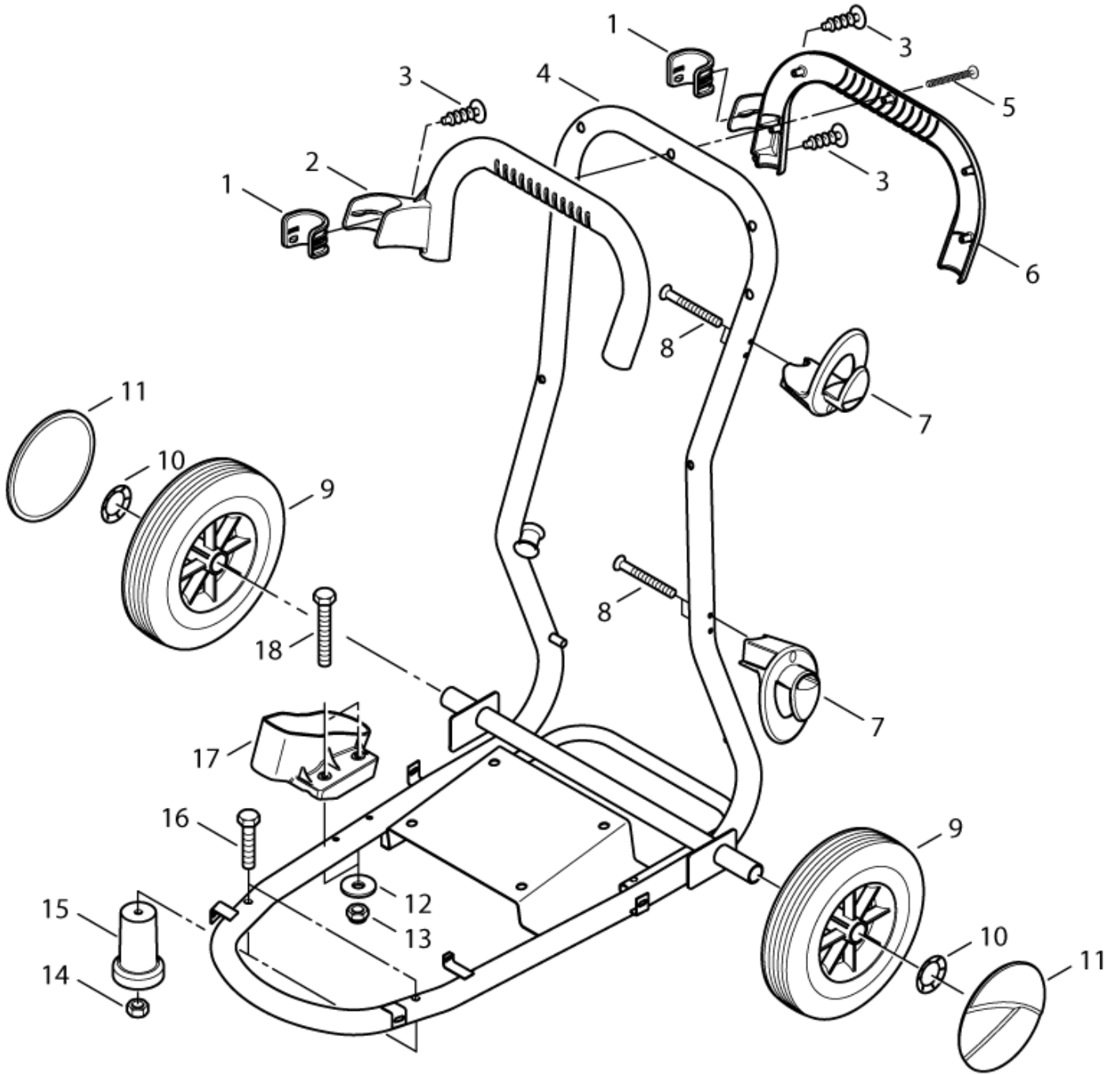
# Frame

POSEIDON 5 >03.2008I

26-05-2011

Part List ID  
POSEIDON508

5



# Frame

POSEIDON 5 >03.2008I

26-05-2011

Part List ID  
POSEIDON508

6

Pos	Part no.	Qty	Description	EAN
1	101117995	2	INSERT FOR HANDLE	4005337182
2	101117962	1	FRONT HANDLE CLAMP	4005337178
3	909100147	3	SCREW 4X12	4005337026
4	301000762	1	BASE FRAME POSEIDON 5 KPL	4005337024
5	909100187	5	SCREW K40X25 T20 WN1452 BLACK-ZN	4005337052
6	101117963	1	REAR HANDLE CLAMP	4005337178
7	301000808	2	HOLDER 121X91X83 FOR HOSE W/O.CABEL PA	4005337024
8	909100149	4	SCREW K50X50 T25 WN1453	4005337026
9	301000989	2	WHEEL Ø250X75	4005337027
10	1813799	2	SPRING PLATE WASHER	5701715031
11	301001076	2	WHEEL CAP Ø180	4005337031
12	2766	2	WASHER 6.4X1.6	4005337027
13	3136	2	HEXAGON NUT M6	4005337031
14	61467	2	HEXAGON NUT M8	4005337614
15	301000979	2	SUSTAINER Ø62X94	4005337026
16	2756	2	SCREW M8X45	4005337027
17	301000774	1	HOLDER 160X100X65 PA	4005337024
18	17749	2	HEXAGON HEAD CAP SCREW	4005337177



# Motor

POSEIDON 5 >03.2008I

26-05-2011

Part List ID  
POSEIDON501

8

Pos	Part no.	Qty	Description		EAN
1	101118018	1	MOTOR ELD112 2.2KW 230V 1PH	5-28, 5-31	4005337183
1	101118019	1	MOTOR 4.5KW 230/400 3 PHASE	5-43 50HZ	4005337183
1	101118020	1	MOTOR 5.5KW 230/400 3PH	5-54, 5-58	4005337183
1	101118021	1	MOTOR 6.7KW/230/400/3	5-62, 5-63	4005337183
1	101118024	1	MOTOR 5.2KW 200/346 3PH	5-46	4005337183
1	101118025	1	MOTOR 5.2KW/220/1 MEC112	5-51	4005337183
1	101118028	1	MOTOR 1.4KW/120/1	5-21	4005337183
2	15045	8	SCREW M6X35	5-21, 5-28, 5-31	4005337150
2	6863	8	SCREW M8X35	5-43, 5-46, 5-51, 5-54, 5-58, 5-62, 5-63	4005337068
3	301001119	1	MOTORFLANGE	5-43, 5-46, 5-51, 5-54, 5-58, 5-62, 5-63	4005337032
3	301001120	1	MOTOR FLANGE	5-21, 5-28, 5-31	4005337032
4	301001121	1	ROTOR MOTOR 2.2KW	5-28, 5-31	4005337032
4	301001122	1	ROTOR MOTOR 4.5KW	5-43	4005337032
4	301001123	1	ROTOR MOTOR 5.5KW	5-46, 5-54, 5-58	4005337032
4	301001124	1	ROTOR MOTOR 6.7KW	5-62, 5-63	4005337032
4	301001662	1	ROTOR MOTOR 1,4KW	5-21	4005337058
4	301001665	1	ROTOR MOTOR 5.2KW	5-51	4005337058
5	5905	1	ROLLER BEARING 6306-2Z-C3	5-43, 5-46, 5-51, 5-54, 5-58, 5-62, 5-63	4005337059
5	6367	1	ROLLER BEARING 6206-2Z-C3	5-21, 5-28, 5-31	4005337063
6	301001093	1	FASTENING CLIP D50.8X16	5-21, 5-28, 5-31, 5-51	4005337031
7	3376	1	SERRATED LOCK WASHER	5-21, 5-28, 5-31, 5-51	4005337033
8	3348	1	SCREW M5X10	5-21, 5-28, 5-31, 5-51	4005337033
9	301001017	1	CAPACITOR 60MF 450V W/ FERRULES	5-28, 5-31	4005337028
9	301001465	2	CAPACITOR	5-51	4005337046
9	301001595	1	CAPACITOR	5-21	4005337055
10	301001113	1	REAR BEARING COVER	5-43, 5-46, 5-51, 5-54, 5-58, 5-62, 5-63	4005337032
10	301001114	1	REAR BEARING COVER	5-21, 5-28, 5-31	4005337032
11	301001117	1	IMPELLER	5-43, 5-46, 5-51, 5-54, 5-58, 5-62, 5-63	4005337032
11	301001118	1	IMPELLER	5-21, 5-28, 5-31	4005337032
12	301001112	1	FASTENING RING		4005337032
13	301001115	1	FAN HOUSING	5-43, 5-46, 5-51, 5-54, 5-58, 5-62, 5-63	4005337032
13	301001116	1	FAN HOUSING	5-21, 5-28, 5-31	4005337032
14	8822	4	TREAD-CUTTING SCREW 3.5X9.5 C-H ISO 7049		4005337088
15	32964	4	SCREW M10X30		4005337329
16	4827	4	WASHER 10.5X2.5		4005337048
17	301001126	2	MOTOR FOOT H45MM	5-43, 5-46, 5-51, 5-54, 5-58, 5-62, 5-63	4005337033
17	301001127	2	MOTOR FOOT H51MM	5-21, 5-28, 5-31	4005337033
18	8952	4	HEXAGON NUT M10		4005337089
19	6052	4	HEXAGON NUT M8		4005337060
20	27372	4	SCREW M8X20 DIN 6921		4005337273
21	2767	4	WASHER 10.5 X 20 X 2		4005337027
22	103822210	2	START CAPACITOR 60X120 100UF		5701715457



# Motor

POSEIDON 5 >03.2008I

26-05-2011

Part List ID  
POSEIDON501

9

Pos	Part no.	Qty	Description	EAN
24	101117839	1	TERMINAL PLUG AND TERMINAL PINS	4005337179

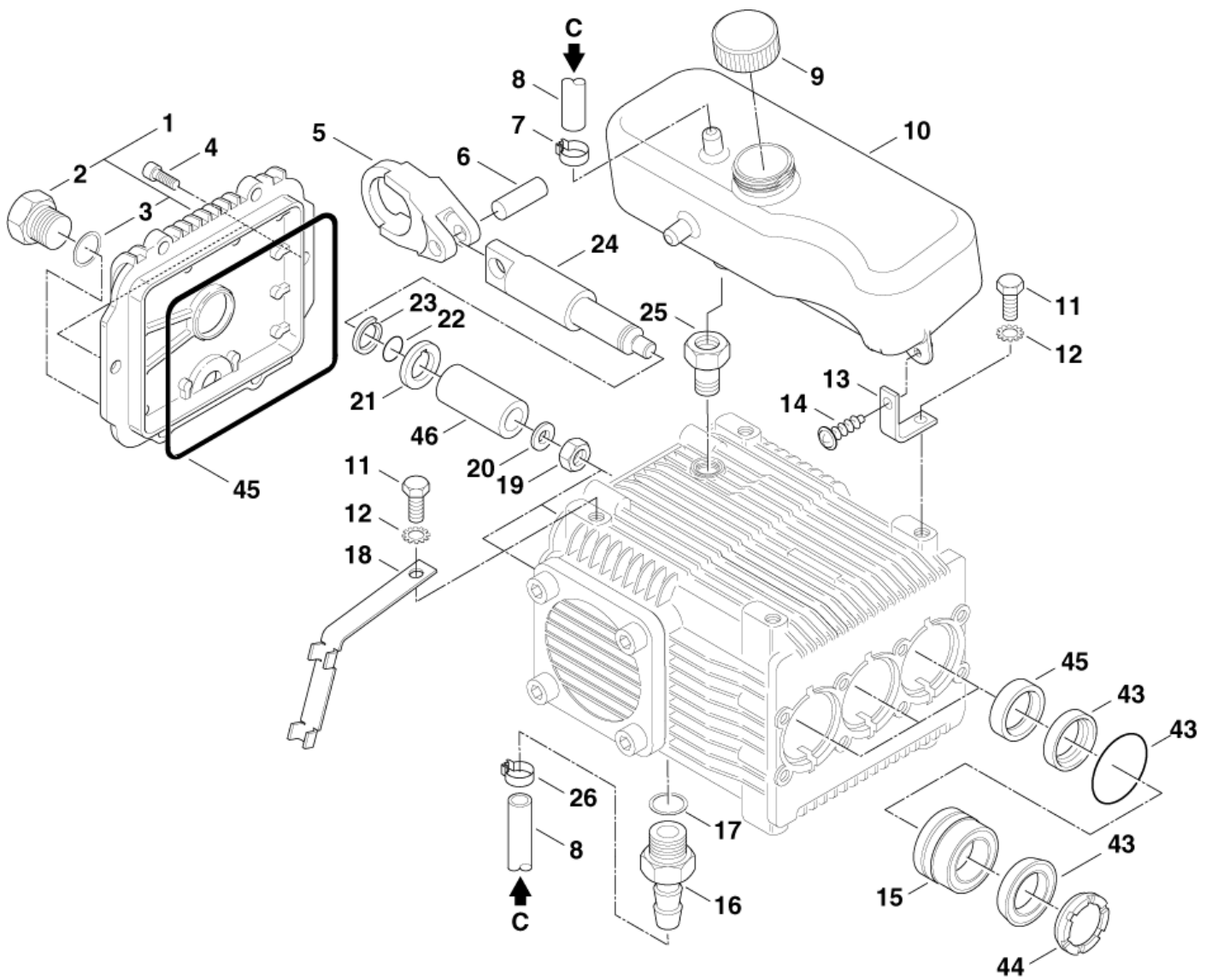
# Pump, oiltank

POSEIDON 5 >03.2008I

26-05-2011

Part List ID  
POSEIDON505

10



# Pump, oiltank

## POSEIDON 5 >03.2008I

26-05-2011

Part List ID  
POSEIDON505

11

Pos	Part no.	Qty	Description	EAN
-		1	NOTE COMMENT Pump oil SAE 15W 40, 045 l	5701715456
1	301001158	1	COVER	4005337034
2	301001135	1	PLUG G3/8	4005337033
3	56554	1	O-RING 14.0x1.78 ARP AS 568 A NBR70	4005337565
4	909100158	6	SCREW M6X14	4005337035
5	301001168	3	CONNECTING ROD * SEE NOTE	4005337034
5	301001169	3	CONNECTING ROD ALUMINIUM: 5-21, 5-28, 5-31	4005337034
6	301001138	3	BOLT	4005337033
7	11654	1	HOSE CLAMP DIA 11,5	4005337116
8	5206636	1	HOSE 6/10 ** SEE NOTE	5701715046
9	301001005	1	CAP 33X10X11.5	4005337028
10	301000765	1	OIL TANK	4005337024
11	8919	2	SCREW M8X12	4005337089
12	2803	2	WASHER A 8.2 DIN6797 ZN FORM J	4005337028
13	301000975	1	BRACKET 2.0X51X20	4005337026
14	1814585	1	PT-SCREW K30X12 WN1452 - BLACK TORX	5701715121
15	301001154	3	THRUST COLLAR Ø18 NP5- *** SEE NOTE	4005337034
15	301001155	3	THRUST COLLAR Ø20 NP5- 5-62 50HZ, 5-63	4005337034
16	2580	1	HOSE LINER Ø 6 G3/8	4005337025
17	56554	1	O-RING 14.0x1.78 ARP AS 568 A NBR70	4005337565
18	301000807	1	BRACKET 2.0X122X15X10	4005337024
19	909100167	3	HEXAGON NUT M8	4005337038
20	909100165	3	PACKING RING Ø8X17	4005337038
21	301001139	3	DISTANCE SPACER	4005337033
22	3001740	3	O-RING 7.66X1.78 NITRIL 70SH	5701715038
23	49900	3	SUPPORTING RING 8X11X1	4005337499
24	301001156	3	PISTON ROD	4005337034
25	909100150	1	FITTING GE15LR 3/8	4005337028
26	301001133	1	HOSE CLAMP 10/7	4005337033
43	301001148	1	KIT PISTON SEALING Ø18 *** SEE NOTE	4005337033
43	301001149	1	KIT PISTON SEALING Ø 20 5-62 50HZ, 5-63	4005337033
44	301001151	1	KIT SUPPORT RING Ø18 *** SEE NOTE	4005337034
44	301001152	1	KIT SUPPORT RING Ø20 5-62 50HZ, 5-63	4005337034
45	301001150	1	KIT OIL SEALING	4005337034
46	301001146	1	PISTON KIT Ø 18MM *** SEE NOTE	4005337033
46	301001147	1	KIT PISTON 20 5-62 50HZ, 5-63	4005337033

\* NOTE: BRONZE: 5-43, 5-46, 5-51, 5-54, 5-58, 5-62, 5-63

\*\* NOTE: PLEASE INDICATE LENGTHS IN METRES WHEN ORDERING

\*\*\* NOTE: 5-21, 5-28, 5-31, 5-43, 5-46, 5-51, 5-54, 5-58, 5-62 60HZ

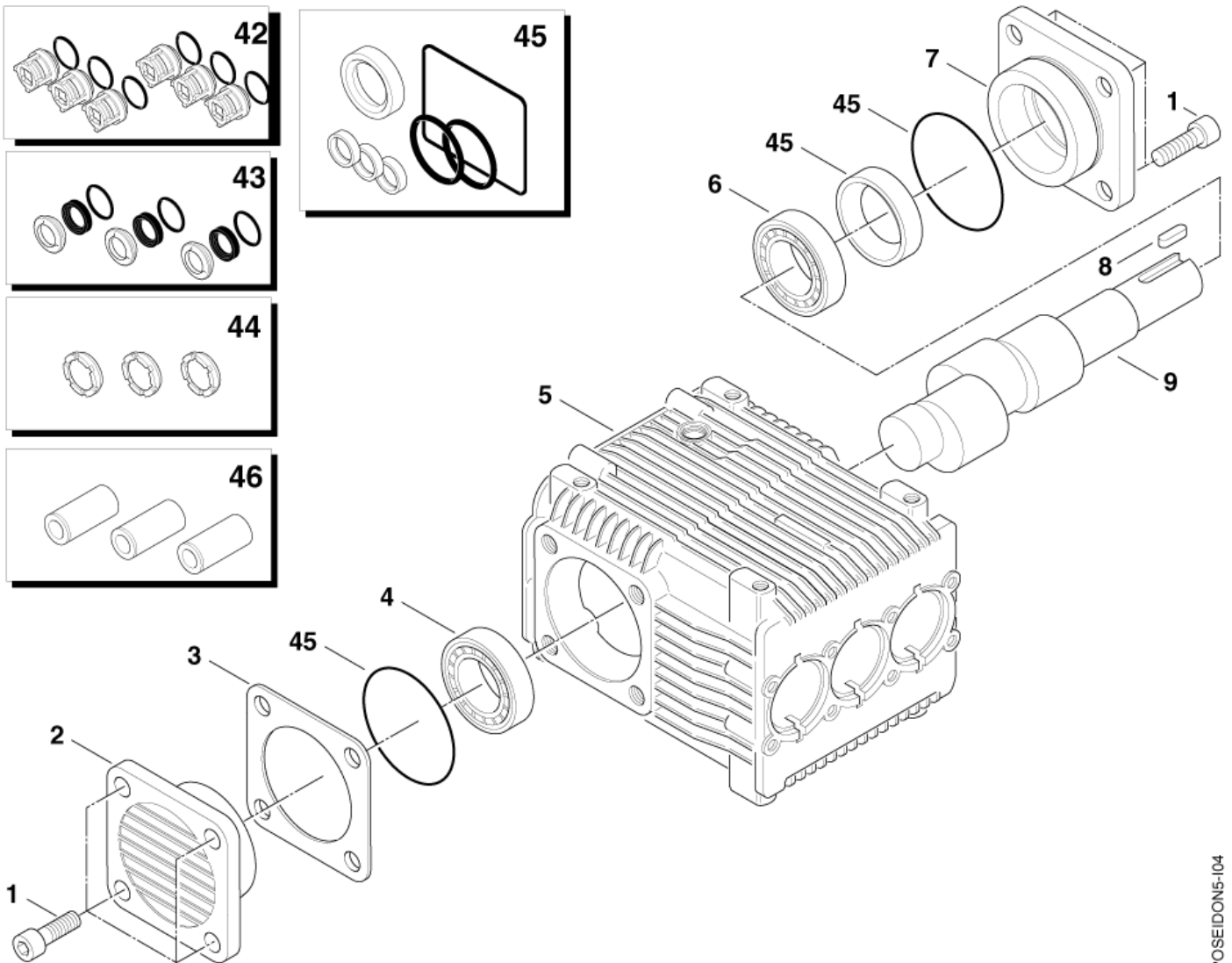
# Pump, kits

POSEIDON 5 >03.2008I

26-05-2011

Part List ID  
POSEIDON504

12



# Pump, kits

POSEIDON 5 >03.2008I

26-05-2011

Part List ID  
POSEIDON504

13

Pos	Part no.	Qty	Description	EAN
1	2788	8	CYLINDER SCREW M8X16 ISO 4762 ST 8.8/ZN	4005337027
2	301001166	1	BEARING LID 80X80X8 CLO	4005337034
3	301001140	1	ADJUSTING WASHER 80x80x0.05	4005337033
3	301001141	1	ADJUSTING WASHER 80x80x0.10	4005337033
3	301001142	1	ADJUSTING WASHER 80X80X0.20	4005337033
3	301001143	1	ADJUSTING WASHER 80X80X0.25	4005337033
4	909100163	1	ROLLER BEARING 30304	4005337036
5	301001157	1	HOUSING	4005337034
6	909100162	1	ROLLER BEARING 30205	4005337036
7	301001167	1	BEARING LID 80X80X8 OPE	4005337034
8	19639	1	PARALLEL KEY A 8X7X25	4005337196
9	301001161	1	CRANKSHAFT NO.6	5-28 50HZ 4005337034
9	301001162	1	CRANKSHAFT NO.5	5-31, 5-46 60Hz 4005337034
9	301001163	1	CRANKSHAFT NO.3	5-43, 5-46 50Hz, 5-62 50HZ 4005337034
9	301001164	1	CRANKSHAFT NO.2	5-62 60HZ 4005337034
9	301001165	1	CRANKSHAFT NO.1	5-51, 5-54 50HZ, 5-63 4005337034
9	301001657	1	CRANKSHAFT NO.7	5-21 4005337058
9	301001658	1	CRANKSHAFT NO.11	5-28 60HZ 4005337058
9	301001659	1	CRANKSHAFT NO.4	5-54 60HZ, 5-58 4005337058
42	301001153	1	KIT VALVE 6X	4005337034
43	301001148	1	KIT PISTON SEALING Ø18	* SEE NOTE 4005337033
43	301001149	1	KIT PISTON SEALING Ø 20	5-62 50HZ, 5-63 4005337033
44	301001151	1	KIT SUPPORT RING Ø18	* SEE NOTE 4005337034
44	301001152	1	KIT SUPPORT RING Ø20	5-62 50HZ, 5-63 4005337034
45	301001150	1	KIT OIL SEALING	4005337034
46	301001146	1	PISTON KIT Ø 18MM	* SEE NOTE 4005337033
46	301001147	1	KIT PISTON 20	5-62 50HZ, 5-63 4005337033

\* NOTE: 5-21, 5-28, 5-31, 5-43, 5-46, 5-51, 5-54, 5-58, 5-62 60HZ

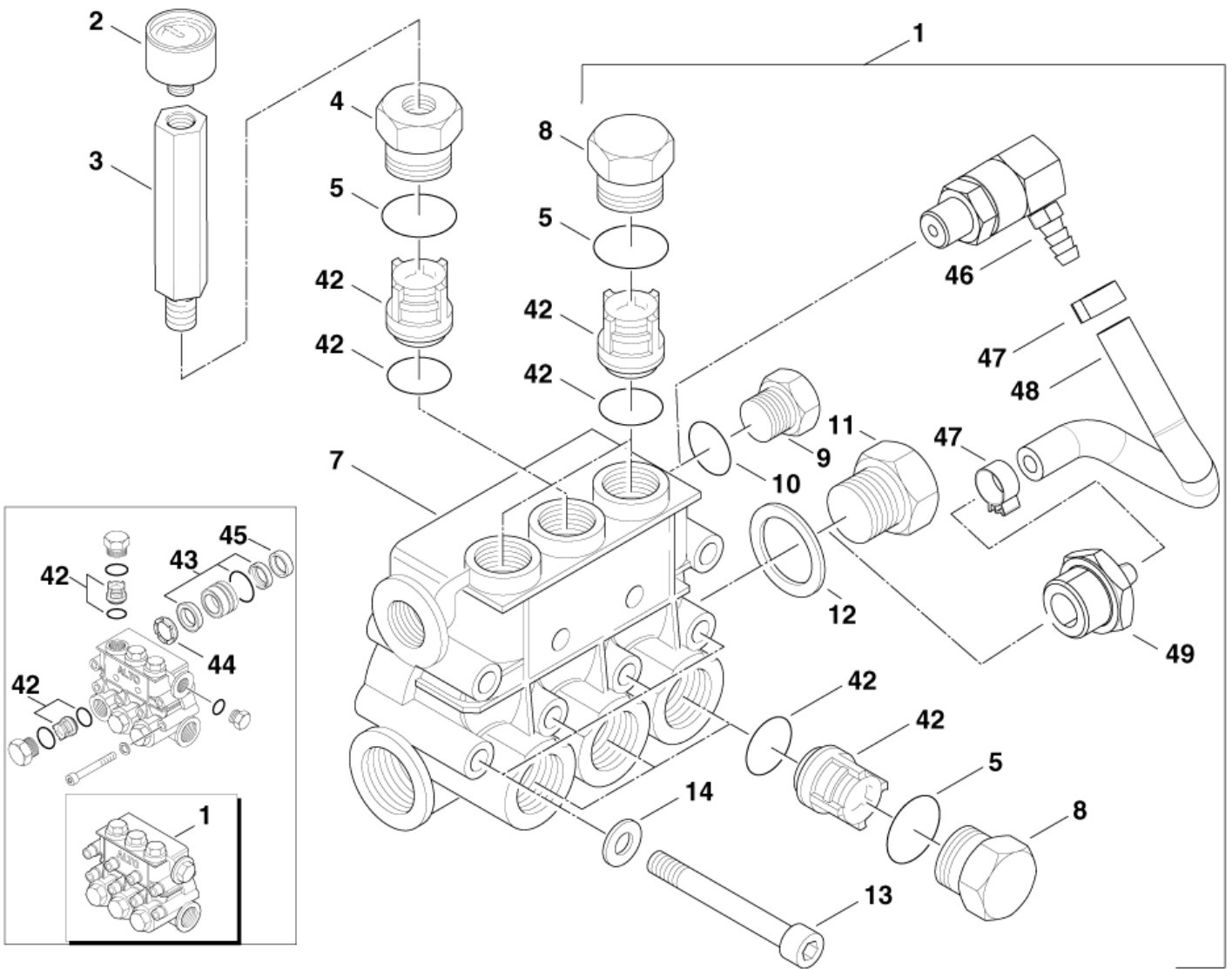
# Cylinder head

POSEIDON 5 >03.2008I

26-05-2011

Part List ID  
POSEIDON503

14



POSEIDON5-103

# Cylinder head

## POSEIDON 5 >03.2008I

26-05-2011

Part List ID  
POSEIDON503

15

Pos	Part no.	Qty	Description		EAN
1	301001170	1	VALVE BLOCK COMPL. Ø 18MM	* SEE NOTE	4005337034
1	301001171	1	VALVE BLOCK COMPL. Ø 20MM	5-62 50HZ, 5-63	4005337034
2	301000246	1	MANOMETER 0-300 BAR		4005337671
3	301000982	1	EXTENSION G1/8 I-A X76		4005337026
4	301000981	1	.LUG M22X1.5 1/8		4005337026
5	103004342	6	JOINT TORQUE 17,86X2,62		5701715296
7	301001172	1	VALVE BLOCK		4005337034
8	301001137	5	PLUG M22 SW24X21		4005337033
9	301001134	1	PLUG G3/8		4005337033
10	1409	1	PACKING RING Ø 17X23		4005337014
11	301001136	1	PLUG G1/2/SW24X17		4005337033
12	5127	1	PACKING RING D21X26		4005337051
13	1814597	8	SCREW M8X70 DIN 912-8.8		5701715124
14	909100168	8	SAFETY WASHER Ø8		4005337038
42	301001153	1	KIT VALVE 6X		4005337034
43	301001148	1	KIT PISTON SEALING Ø18	** SEE NOTE	4005337033
43	301001149	1	KIT PISTON SEALING Ø 20	5-62 50HZ, 5-63	4005337033
44	301001151	1	KIT SUPPORT RING Ø18	** SEE NOTE	4005337034
44	301001152	1	KIT SUPPORT RING Ø20	5-62 50HZ, 5-63	4005337034
45	301001150	1	KIT OIL SEALING		4005337034
46	301002483	1	EASY START VALVE NEPTUNE	5-51, not included in Pos. 1	4005337102
47	7239	2	HOSE CLIP D14,5	5-51, not included in Pos. 1	4005337072
48	9175	1	HOSE	5-51, not included in Pos. 1, *** SEE NOTE	4005337091
49	107120313	1	SOCKET FOR OILHOSE	5-51, not included in Pos. 1	5701715296

\* NOTE: 5-21, 5-28, 5-31, 5-43, 5-46, 5-51, 5-54, 5-58, 5-62 60HZ, Pos. 46-49 not included

\*\* NOTE: 5-21, 5-28, 5-31, 5-43, 5-46, 5-51, 5-54, 5-58, 5-62 60HZ

\*\*\* NOTE: Lengths in metres - Please indicate required length when or

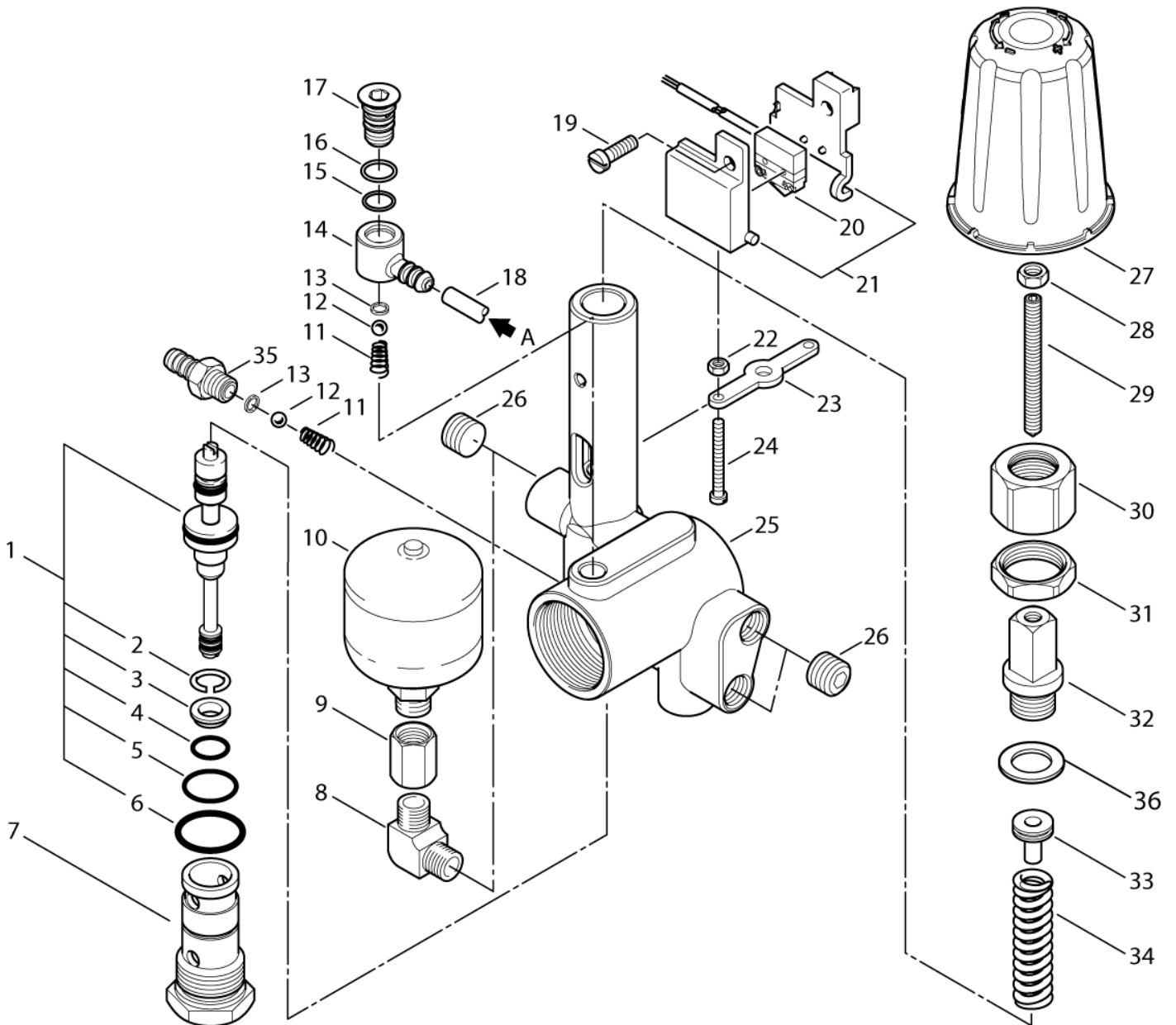
# Control safety block (a)

POSEIDON 5 >03.2008I

26-05-2011

Part List ID  
POSEIDON506

16





# Control safety block (a)

POSEIDON 5 >03.2008I

26-05-2011

Part List ID  
POSEIDON506

17

Pos	Part no.	Qty	Description		EAN
1	64314	1	REPAIR KIT		4005337643
2	909100001	1	RING Ø14		4005337003
3	62708	1	VALVE SEAT Ø8,5/Ø11,4/Ø1		4005337627
4	49461	1	O-RING 11.0x1.5 NBR90		4005337494
5	9523	1	O-RING 17.0x1.5 NBR70		4005337095
6	32091	1	O-RING 21.0x2.0 DIN 3770 NBR70		4005337320
7	64301	1	HOLLOW SCREW M24X1.5		4005337643
8	1618	1	SCREW ASSEMBLY GL10 R1/4	5-21, 5-51, 5-58, 5-63	4005337016
9	63136	1	MUFFE M16X1.5 SW 19X24	5-21, 5-51, 5-58, 5-63	4005337631
10	63090	1	PRESSURE ACCUMULATOR	5-21, 5-51, 5-58, 5-63	4005337630
11	41132	1	SPRING 0.3X4.7		4005337411
12	9580	1	BALL Ø 5,5		4005337095
13	301001216	1	GASKET SEAT 6,6X4X1,7		4005337036
14	301001200	1	RING BUSH Ø 7 Ø 12/11	=>28.12.2003]	4005337035
15	3001740	1	O-RING 7.66X1.78 NITRIL 70SH	=>28.12.2003]	5701715038
16	7424	1	O-RING 8.76x1.8 DIN 3771 NBR70	=>28.12.2003]	4005337074
17	301001199	1	HOLLOW SCREW M10X1	=>28.12.2003]	4005337035
18	5206636	1	HOSE 6/10	* SEE NOTE	5701715046
19	3349	1	640EW M5X16		4005337033
20	101118011	1	END SWITCH 250V 5A W.WIRE FSH/FS 6.3 KIT	MTHOUT, OHNE ELECTRONICS	4005337184
20	301000952	1	END SWITCH 250V 0.1A W. WIRE 2X0.25 JST	WITH, MIT ELECTRONICS	4005337026
21	62401	1	HOUSING FOR MICRO SWITCH		4005337624
22	2759	1	HEXAGON NUT M4		4005337027
23	62717	1	CONTACT STUD		4005337627
24	5076	1	SCREW M4X25		4005337050
25	301000787	1	HOUSING		4005337025
26	6262	3	CLOSURE STUD R1/4 DIN 906 ZN		4005337062
27	301000804	1	ROTARY KNOB		4005337024
28	3136	1	HEXAGON NUT M6		4005337031
29	62711	1	HEADLESS SCREW M6X60 DIN 914 ST/ZN		4005337627
30	62710	1	UNION NUT M24X1,5X21		4005337627
31	62696	1	HEXAGON NUT M24X1.5X6		4005337626
32	62712	1	HOLLOW SCREW M16X1X9		4005337627
33	62695	1	SPRING SUPPORT		4005337626
34	40972	1	SPRING 3,5X10,5X54		4005337409
35	301001392	1	HOSE LINER Ø 8/M10X1	[29.12.2003=>	4005337041
36	103004451	1	VULCAN FIBRE WASHER Ø16X20X1.5 DIN 7737		5715492081
99	301000904	1	CONTROL SAFETY BLOCK POSEIDON5 250BAR		4005337023

\* NOTE: PLEASE INDICATE LENGTHS IN METRES WHEN ORDERING

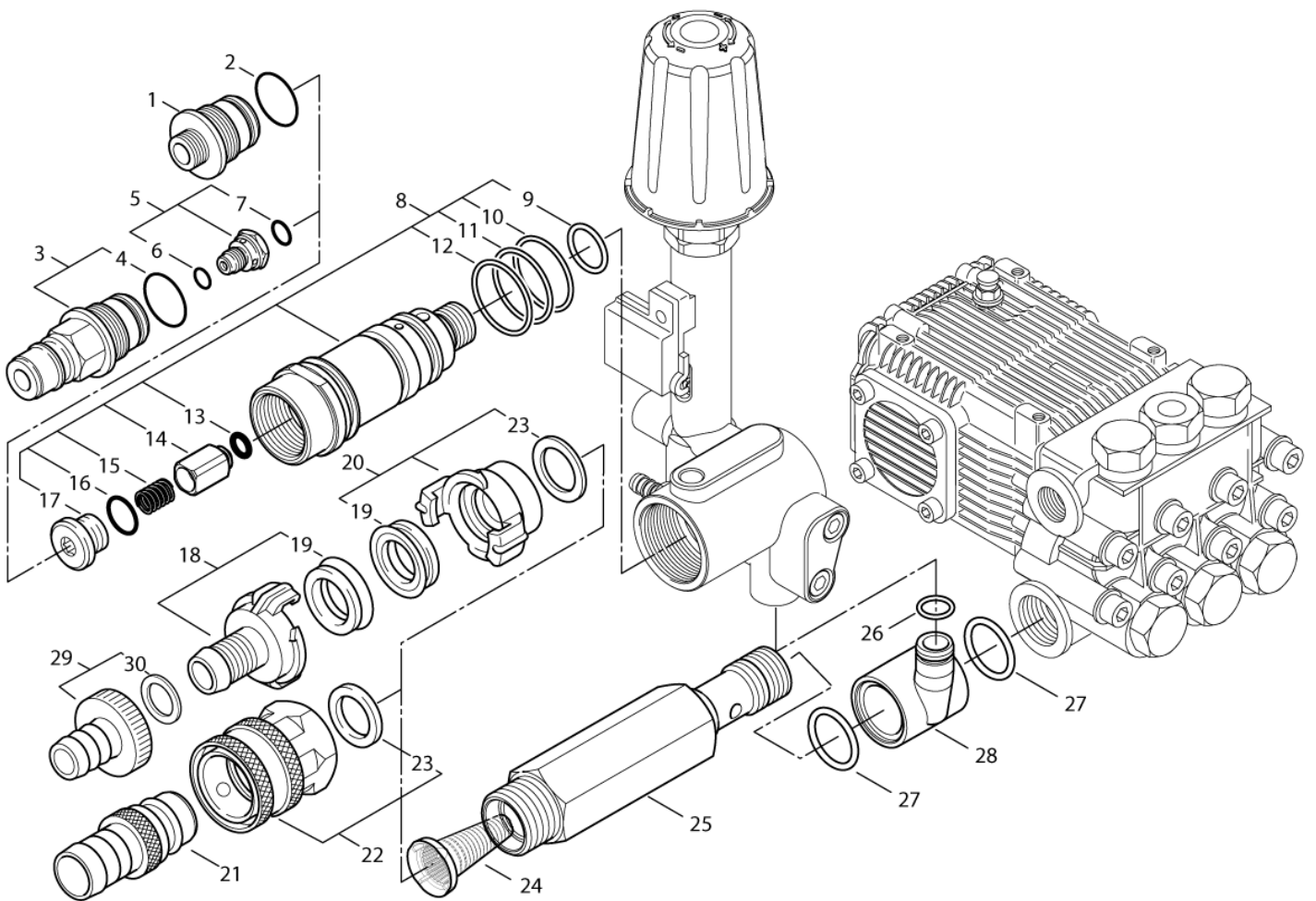
# Control safety block (b)

POSEIDON 5 >03.2008I

26-05-2011

Part List ID  
POSEIDON507

18



# Control safety block (b)

POSEIDON 5 >03.2008I

26-05-2011

Part List ID  
POSEIDON507

19

Pos	Part no.	Qty	Description	EAN
1	64224	1	ADAPTOR HP-OUTPUT	4005337642
2	32091	1	O-RING 21.0x2.0 DIN 3770 NBR70	4005337320
3	64236	1	CONVERTER M27X1.5	4005337642
4	32091	1	O-RING 21.0x2.0 DIN 3770 NBR70	4005337320
5	62155	1	INJECTION NOZZLE 1.8X2.6	5-21, 5-28, 5-31, 5-43 4005337621
5	62156	1	CHEMICAL INJECTOR-POWERCLASS	5-51, 5-54, 5-46, 5-58, 5-62 4005337621
5	62157	1	INJECTOR NOZZLE	5-63 4005337621
6	16925	1	O-RING 8.0x2.0 DIN 3770 NBR70	4005337169
7	1381	1	O-RING 14.0x2.0 DIN 3770 NBR70	4005337013
8	64304	1	HOLLOW SCREW	4005337643
9	16443	1	O-RING 17.0x2.0 DIN 3770 NBR70	4005337164
10	64307	1	O-RING Ø 23,47X2,62	4005337643
11	64306	1	O-RING 25.07x2.62 NBR70	4005337643
12	64305	1	O-RING 28.24x2.62 NBR70	4005337643
13	9858	1	O-RING 6.0x3.0 SMS 1586 NBR90	4005337098
14	6187135	1	PISTON	5701715290
15	14522	1	SPRING 0,7X9,7X14,5	4005337145
16	16998	1	O-RING 14.0x1.5 NBR70	4005337169
17	64309	1	PLUG M16X1	4005337643
18	1311	1	GEKA COUPLING HOSE END 3/4	=>31.01.2005  4005337013
19	6502	1	MOULDED GASKET GEKA COUPE	=>31.01.2005  4005337065
20	1718	1	GEKA COUPLING INT THREAD 3/4	=>31.01.2005  4005337017
21	1600659	1	LP NIPPLE F. Q.-COUPLING 3/4IN	5701715023
21	1605872	1	QUICK COUPLING NIPPLE	*US* 5701715026
22	1602945	1	QUICK COUPLING 3/4 W/GASKET	5701715024
23	3001237	1	GASKET 24.5X 16X3	5701715037
24	101117926	1	FILTER	4005337177
25	301000980	1	HOLLOW SCREW G1/2-G3/4	4005337026
26	13739	1	O-RING 10X2 DIN 3770 NBR70	4005337137
27	24347	2	O-RING 21.0x2.5 DIN 3770 FPM80	4005337243
28	301000778	1	RETURN LINE 30.9X34 PA	4005337025
29	61369	1	HOSE NOZZLE 20R3/4	4005337613
30	46487	1	PACKING RING 21X29X2,5	4005337464

# Pumps complete

POSEIDON 5 >03.2008I

26-05-2011

Part List ID  
POSEIDONSPUMP

20

No Drawing For Part List

# Pumps complete

POSEIDON 5 >03.2008I

26-05-2011

Part List ID  
POSEIDON5PUMP

21

Pos	Part no.	Qty	Description		EAN
	301000789	1	PUMP NP5 11.14 N 11L/MIN 140BAR ALTO	5-31	4005337020
	301000790	1	PUMP NP5 13.20 N 13L/MIN 200BAR ALTO	5-43, 5-46 50HZ	4005337020
	301000791	1	PUMP NP5 15.20 N 15L/MIN 200BAR ALTO	5-51, 5-54 50HZ	4005337020
	301000792	1	PUMP NP5 17.20 N 17L/MIN 200BAR ALTO	5-62 50HZ	4005337020
	301000793	1	PUMP NP5 19.20 N 18L/MIN 200BAR ALTO	5-63	4005337020
	301000994	1	PUMP NP5 10.12 N 10L/MIN 120BAR ALTO	5-28	4005337027
	301000995	1	PUMP NP5 11.2L/1450RPM 22.5L/2800RPM	5-46 60HZ	4005337027
	301001462	1	PUMP NP5 4G30 N 15L/MIN 200BAR ALTO	5-54 60HZ, 5-58	4005337045
	301001463	1	PUMP NP5 45G20N 17L/MIN 200BAR ALTO	5-62 60HZ	4005337045
	301001580	1	PUMP NP5 28G22 N 10L/MIN 150BAR ALTO	5-28 60HZ	4005337052
0	301001619	1	PUMP NP5 2.5G22N 9.4L/MIN 150BAR ALTO	5-21	4005337055

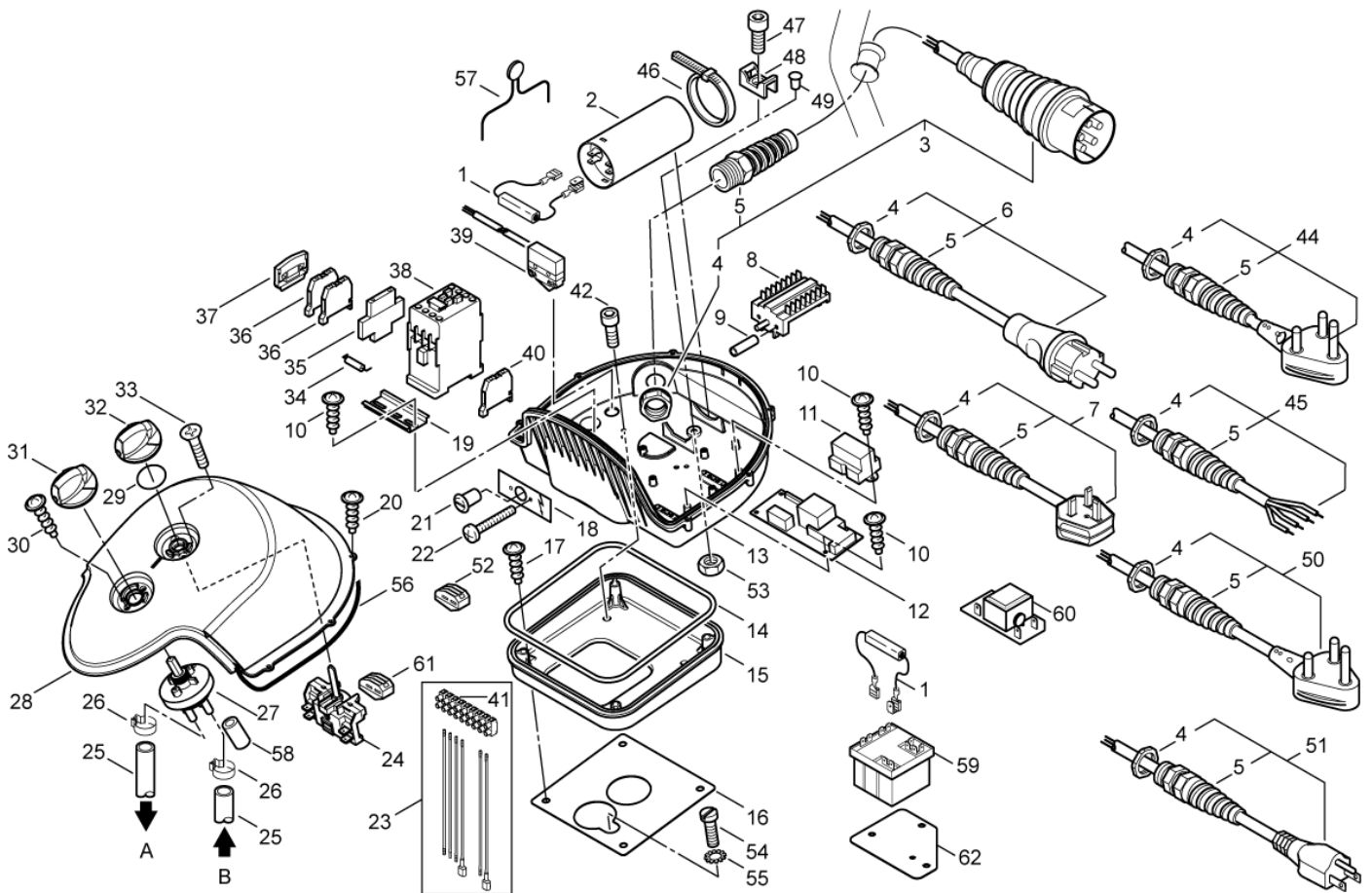
# Electric box

POSEIDON 5 >03.2008I

26-05-2011

Part List ID  
POSEIDON502

22



# Electric box

POSEIDON 5 >03.2008I

26-05-2011

Part List ID  
POSEIDON502

23

Pos	Part no.	Qty	Description		EAN
-	107140162	1	CONVERSION KIT POSEIDON 5-51 1 PH US	US, for machines produced before 18.09.08	4005337158
1	301000402	1	RESISTANCE 15KOHM7W	5-21, 5-28, 5-31, 5-51	4005337680
2	301001056	1	STARTING CAPACITOR 98MF 330V W/O BOLT	5-21, 5-28, 5-31	4005337030
3	301000834	1	POWER CORD H07RN-F4G1.5X6	400/3/50 *EU*	4005337021
4	909100019	1	HEXAGON THIN NUT M20X1.5 EN 50262 PA		4005337016
4	909100020	1	HEXAGON THIN NUT M25X1.5 EN 50262 PA	5-46, 5-51, 5-58	4005337017
5	909100043	1	CABLE SCREWING W. ANTIBUC. M20X1.5		4005337679
5	909100198	1	SCREWED CABLE GLAND M25X1.5	5-46, 5-51, 5-58	4005337056
6	301000829	1	POWER CORD H07RN-F 3G1.5X6.0	230/1/50 *EU*, 220/1/60*TW*KR*	4005337021
7	301000912	1	POWER CORD H07RN-F 3G1.5X6.0	230/1/50 *GB*	4005337023
8	301000293	1	SWITCH START/TRIANGLE 16	220/440/3/60 *US*KR*TW*	4005337672
8	64579	1	SWITCH START/TRIANGLE 16A	230/400/3/50 *BE*NO*	4005337645
9	64581	2	PIPE D10XD4X20 BLACK POM	* SEE NOTE	4005337645
10	909100046	2	SCREW 4X8		4005337679
11	101117996	1	START RELAY RVA 4N3D SPAREPART	UK, AU	4005337187
11	11060	1	STARTER RELAY 220V AC	5-21, 5-28, 5-31	4005337110
12	301001104	1	ELECTRONICS F. COLD WATER W. MICROSWITCH	** SEE NOTE	4005337032
12	301001660	1	ELECTRONIC CONTROL UNIT 120V	5-21	4005337058
13	301000768	1	EL-BOX BASE POSEIDON 5 PA		4005337024
14	101406054	1	SPONGE RUBBER 4 1M		5701715457
15	301000769	1	ADAPTER PLATE ALTO 5.5 KW PA6	5-21, 5-28, 5-31	4005337024
16	301001183	1	GASKET 101.5X101.5X2 BLACK EPDM		4005337034
17	11565	4	SCREW 5X18		4005337115
18	64586	1	LABEL	230/400/3/50 *BE*NO*	4005337645
18	64787	1	LABEL 220-440V CHANGE-OVER 74X28	220/440/3/60*US*KR*TW*	4005337647
19	22290	1	MOUNTING RAIL TS35 ST/ZN	*** SEE NOTE	4005337222
20	1814585	6	PT-SCREW K30X12 WN1452 - BLACK TORX		5701715121
21	64580	1	ROTARY KNOB	***** SEE NOTE	4005337645
22	40045	2	PAN HEAD SCREW M4X30	***** SEE NOTE	4005337400
23	101117855	1	POSEIDON MOTOR CABLE 7-WIRE 1PH 1.5MM2	230/1/50,60, 120/1/60	4005337185
23	101117856	1	POSEIDON MOTOR CABLE 9-WIRE 3PH 1.5MM2	400/3/50	4005337185
23	101117857	1	POS. MOTOR CABLE 9-WIRE 3PH 1.5MM2 NO	***** SEE NOTE	4005337185
23	101117858	1	POSEIDON MOTOR CABLE 9-WIRE 3 PH 2.5MM2	200/3/50,60, 220/1/60*US*	4005337185
24	301001058	1	CAM SWITCH 0-1 10A 400VAC		4005337030
25	5206636	1	HOSE 6/10	*** SEE NOTE	5701715046
26	301001133	2	HOSE CLAMP 10/7		4005337033
27	301001000	1	VALVE 51X70		4005337028
28	301000767	1	EL-BOX COVER PP		4005337024
29	9868	1	O RING DIA 10X2,5		4005337098
30	1814730	2	SCREW 30X10B		5701715363

\* NOTE: 230/400/3/50 \*BE\*NO\*, 220/440/3/60 \*US\*KR\*TW\*

\*\* NOTE: 5-28, 5-31, 5-46, 5-51, 5-54\*KR\*TW\*, 5-58, 5-62\*KR\*TW\*, DSS

\*\*\* NOTE: PLEASE INDICATE LENGTHS IN METRES WHEN ORDERING

\*\*\*\* NOTE: 230/400/3/50 \*BE\*NO\*, 220/440/3/60 \*US\*KR\*TW\*

# Electric box

POSEIDON 5 >03.2008I

26-05-2011

Part List ID  
POSEIDON502

24

Pos	Part no.	Qty	Description		EAN
31	909100214	1	ROTARY KNOB GR.1 4KT. 6X6+8X8 BLUE		4005337026
32	909100204	1	ROTARY KNOB 6X5 BLUE		4005337689
33	18274	2	COUNTERSUNK SCREW M4X12		4005337182
34	301000074	1	RESISTOR 470 OHM 3W	***** SEE NOTE	4005337008
35	64773	1	AUXILIARY CONTACT 100-SBL11	***** SEE NOTE	4005337647
36	301000687	2	WIRE TERMINAL 2X2.5MM	5-21, 5-28, 5-51	4005337691
37	301000689	1	END PLATE GREY 4MM TYP 264	5-21, 5-28, 5-31	4005337691
38	103822303	1	CONTACTOR CJX2-1810 N7 400V	400/3/50	4005337185
38	103822304	1	CONTACTOR CJX2-D18-P7 230V	220,230/1/50,60	4005337178
38	103822309	1	CONTACTOR CJX2-D25-P7 230V	**** NOTE	4005337178
38	103822310	1	CONTACTOR CJX2-D25-M7 200V	200/3/50,60	5715492057
38	103822311	1	CONTACTOR CJX2-D25-F7 110V	120/1/60	5715492057
38	103822315	1	CONTACTOR CJX2-D32-M7 220V	220/1/60	4005337185
39	101118011	1	END SWITCH 250V 5A W.WIRE FSH/FS 6.3 KIT	MTHOUT, OHNE ELECTRONICS	4005337184
39	301000952	1	END SWITCH 250V 0.1A W. WIRE 2X0.25 JST	WITH, MIT ELECTRONICS	4005337026
40	14506	1	WIRE TERMINAL 10QMM	5-51	4005337145
40	3817483	1	TERMINAL STRIP EARTH. WK4 SL/U		5701715043
41	101117839	1	TERMINAL PLUG AND TERMINAL PINS		4005337179
42	10369	4	SCREW M5X25	5-21, 5-28, 5-31	4005337103
42	32535	4	SCREW M5X16	5-43, 5-46, 5-51, 5-54, 5-58, 5-62, 5-63	4005337325
44	301000407	1	POWER CORD SJOW AWG10/3X9.0	220/1/60*US*	4005337680
45	301000833	1	POWER CORD H07RN-F 4G2.5X6.0	**** SEE NOTE	4005337021
45	301001384	1	POWER CORD VCT 4X3.5X6	200/3/50,60 *JP*	4005337041
45	301001466	1	POWER CORD SJOW AWG12/4X11	220,460/3/60*US*	4005337045
46	15884	1	CABLE STRAP 4,7X1,3X350	5-21, 5-28, 5-31, 5-51	4005337158
47	3288	1	SCREW M4X8	5-21, 5-28, 5-31, 5-51	4005337032
48	1814621	1	BRACKET	5-21, 5-28, 5-31, 5-51	
49	301001219	1	PLUG Ø6XØ8X5.4 PE BLACK	5-43, 5-46, 5-51, 5-54, 5-58, 5-62, 5-63	4005337037
50	301001390	1	POWER CORD H07RN-F 3G1.5X6.0 SABS164	230/1/50*ZA*	4005337041
51	3821316	1	POWER CORD AWG12/3X11 SJTOW	120/1/60 *US*	4005337115
52	301001229	1	SNAP-ON CLIP 3X4QMM 400V 24A GREY	400/3/50, 220/1/60	4005337038
53	15319	1	HEXAGON NUT M4	5-21, 5-28, 5-31	4005337153
54	1804699	1	SCREW M5 X 6 ISO 7045 ZN		5701715029
55	3376	1	SERRATED LOCK WASHER		4005337033
56	101406054	1	SPONGE RUBBER 4 1M	*** SEE NOTE	5701715457
57	301002353	1	INRUSH CURRENT LIMITER 5 OHM / 5W	5-28, 5-31, 5-51	4005337083
58	301001906	1	CLOSING CAP Ø12X21.5		4005337068
59	103822212	1	STARTER RELAY COLDWATER RVAH4AH0D	5-51	5701715457
60	301002462	1	TRANSFORMER BOARD 230V/24V 2VA	5-51	4005337101
61	301002165	1	CAGE CLAMP TERMINAL 5POL	5-51	4005337080

\* NOTE: 230/400/3/50 \*BE\*NO\*, 220/440/3/60 \*US\*KR\*TW\*

\*\* NOTE: 5-28, 5-31, 5-46, 5-51, 5-54\*KR\*TW\*, 5-58, 5-62\*KR\*TW\*, DSS

\*\*\* NOTE: PLEASE INDICATE LENGTHS IN METRES WHEN ORDERING

\*\*\*\* NOTE: 230/400/3/50 \*BE\*NO\*, 220/440/3/60 \*US\*KR\*TW\*



# Default accessories

POSEIDON 5 >03.2008I

26-05-2011

Part List ID

POS522

25

No Drawing For Part List

# Default accessories

POSEIDON 5 >03.2008I

26-05-2011

Part List ID  
POS522

26

Pos	Part no.	Qty	Description		EAN
-	106402291	1	TURBOHAMMER PLUS 1125 STRAIGHT W11 0500		4005337167
-	106402292	1	TURBOHAMMER PLUS 1125 STRAIGHT W11 0550		4005337167
-	106403010	1	TORNADO PLUS 1120 BEND W/O NOZZLE		4005337167
-	106403122	1	ERGO 2000 STANDARD W. HOSE SWIVEL		4005337168
-	106403123	1	ERGO 2000 VARIO PRESS W. HOSE SWIVEL		4005337168
0	101119484	1	REP. KIT SWIVEL JOINT	5-41, 5-47, 5-55, 5-61	5701715295
0	101119738	1	NOZZLE 0400 INDICATION RING METAL GREY	5-41 5-41	5701715324
0	101119741	1	NOZZLE 0500 INDICATION RING YELLOW	5-47, 5-55	5701715324
0	101119742	1	NOZZLE + INDICATION RING 0530	5-61	5701715324
0	101119743	1	NOZZLE + INDICATION RING 0550	5-31, 5-32	5701715324
0	101119749	1	NOZZLE 0750 INDICATION RING RED	5-63	5701715329
0	101405770	1	10 M WIRE HOSE 5/16 DN8	5-31, 5-32, 5-41, 5-47, 5-55, 5-61	5701715330
0	301001100	1	HP-HOSE DN8X15M	5-31XT, 5-32XT, 5-41XT, 5-55XT, 5-61XT, 5-63XT	4005337031
0	301001310	1	HOSE REEL KIT	5-31XT, 5-32XT, 5-41XT, 5-55XT, 5-61XT, 5-63XT	4005337040
1	106402120	1	TORNADO 3000 LANCE 1040 W/O NOZZLE	5-41, 5-47, 5-55, 5-61	5701715324
1	106402140	1	FLEXOPOWER 3000 LANCE 1070 W/O NOZZLE		5701715324
1	106402172	1	TURBOHAMMER 0700 W11 3000 LANCE 1070	5-63 XT	5701715324
1	106402175	1	TURBOHAMMER 0550 W11 3000 LANCE 1070	5-31XT, 5-61XT	5701715329
1	106402291	1	TURBOHAMMER PLUS 1125 STRAIGHT W11 0500	5-41XT, 5-55XT	4005337167
1	301002410	1	ERGO 1000	5-31	4005337088
1	301002411	1	SPRAY GUN ERGO 1000 VARIOPRESS	5-41, 5-55, 5-61	4005337090

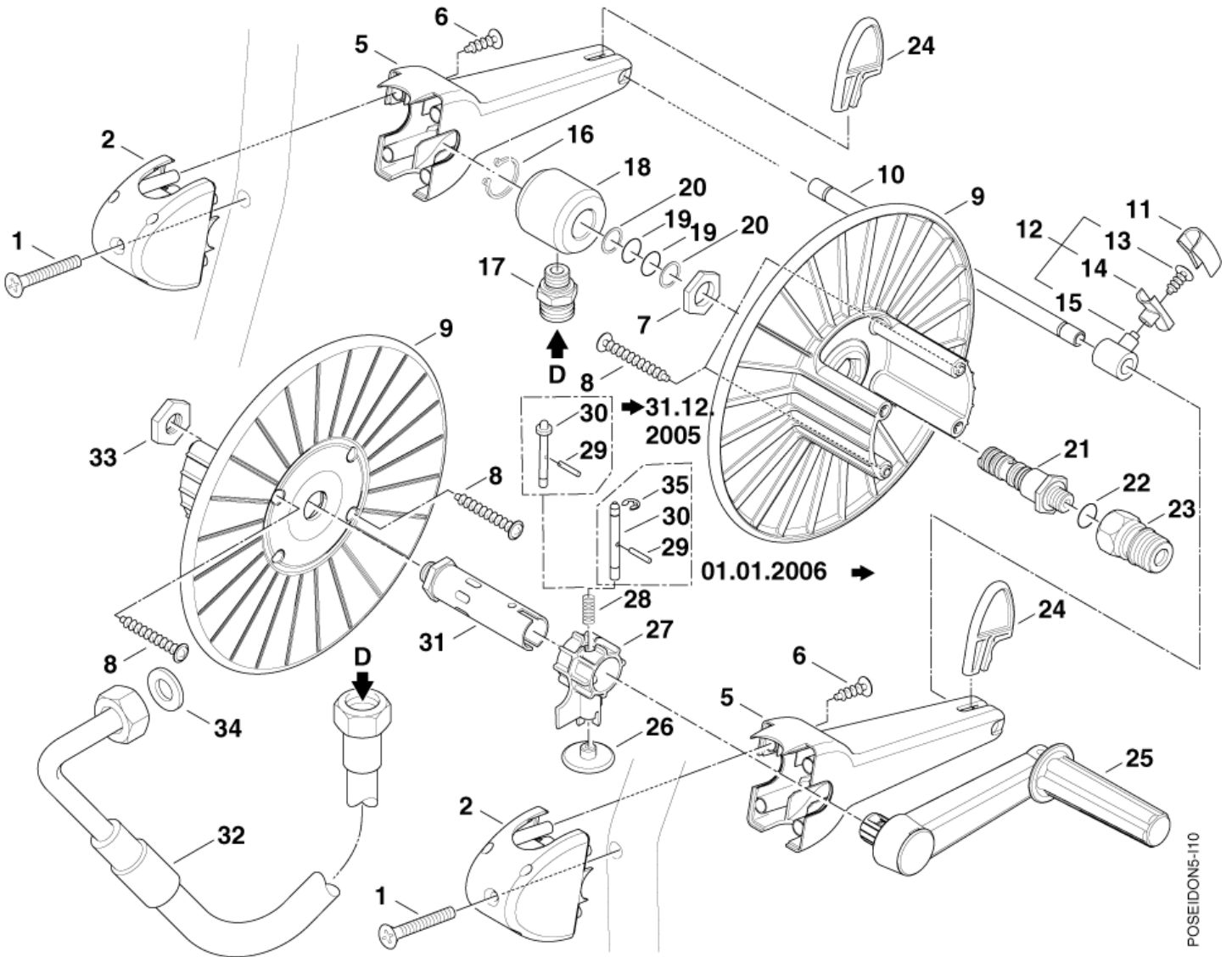
# Hose reel POSEIDON 5

POSEIDON 5 >03.2008I

26-05-2011

Part List ID  
POSEIDON510

27



POSEIDON5-110

# Hose reel POSEIDON 5

POSEIDON 5 >03.2008I

26-05-2011

Part List ID  
POSEIDON510

28

Pos	Part no.	Qty	Description	EAN
0	301001310	1	HOSE REEL KIT	4005337040
1	909100154	2	SCREW M6X45 ISO 7047	4005337033
2	301000809	2	BRACKET 106X94X60 F. HOSE REEL W. RECOIL	4005337024
5	301000929	2	BRACKET 224X94X60 F. HOSE REEL W. RECOIL	4005337025
6	1814641	4	SCREW SELF TAPPING 4.9X30	5701715268
7	62696	1	HEXAGON NUT M24X1.5X6	4005337626
8	909100153	4	SCREW 6X40	4005337032
9	301000775	2	HOSE DRUM SECTION	4005337024
10	107140355	1	GUIDE PIPE Ø12X315	4005337157
11	301000674	1	HOSE GUIDE SECTION - UPPER 70X31.7X28.5	4005337021
12	301000780	1	HOSE GUIDE 70X40	4005337022
13	10028	1	SCREW 5X14	4005337100
14	301000676	1	HOSE GUIDE SECTION LOWER	4005337021
15	301000672	1	HOSE GUIDE SLEEVE 33,2X2	4005337021
16	32524	1	RETAINING RING 20X1.2	4005337325
17	54590	1	FITTING XGE12L 1/4NPT	4005337545
18	301000977	1	BEARING BUSH	4005337026
19	19620	2	O-RING 15.54x2.62 DIN 3771 NBR70	4005337196
20	63792	2	SUPPORTING RING Ø16.26X2.18	4005337637
21	301000976	1	HOLLOW SCREW G3/8	4005337026
22	1801075	1	PACKING RING Ø 23,8X Ø 17,2	5701715027
23	1600493	1	NIPPLE F. Q-COUPL. 3/8IN HP	5701715023
24	301000927	2	BRACKET 64X40X9 FOR CORD	4005337025
25	301000733	1	CRANK 190X175X45	4005337022
26	301001008	1	Knob Ø40x18 M6	4005337028
27	301001010	1	HOUSING	4005337028
28	909100151	1	SPRING 1.0 X 9.0 X19	4005337028
29	16067	1	PIN 3X14	4005337160
30	301001009	1	INDEXING BOLT Ø12X60	4005337028
31	301001007	1	AXLE 28X116	4005337028
32	301001092	1	HP HOSE 8X1175	4005337031
33	909100145	1	HEXAGON NUT G 3/8X6	4005337026
34	65466	1	PACKING RING 8X15X1	4005337654
35	1806538	1	LOCK WASHER	4005337112

# Total check kits, recommended spare parts

POSEIDON 5 >03.2008I

26-05-2011

Part List ID  
POSEIDON5REC

29

No Drawing For Part List

# Total check kits, recommended spare parts

POSEIDON 5 >03.2008I

26-05-2011

Part List ID  
POSEIDON5REC

30

Pos	Part no.	Qty	Description	EAN
	301001961	1	TOTAL CHECK P5-28/43	4005337069
	301001962	1	TOTAL CHECK P5-54/62	4005337069
	301001963	1	TOTAL CHECK P5-63	4005337069
	301001964	1	TOTAL CHECK P5-28/43	4005337069
	301001965	1	TOTAL CHECK P5-54	4005337069
	301001966	1	TOTAL CHECK P5-54 XT	4005337069
	301001967	1	TOTAL CHECK P5-62	4005337069
	301001968	1	TOTAL CHECK P5-63	4005337069