

*Cleaning  
Equipment*



**portotecnica**

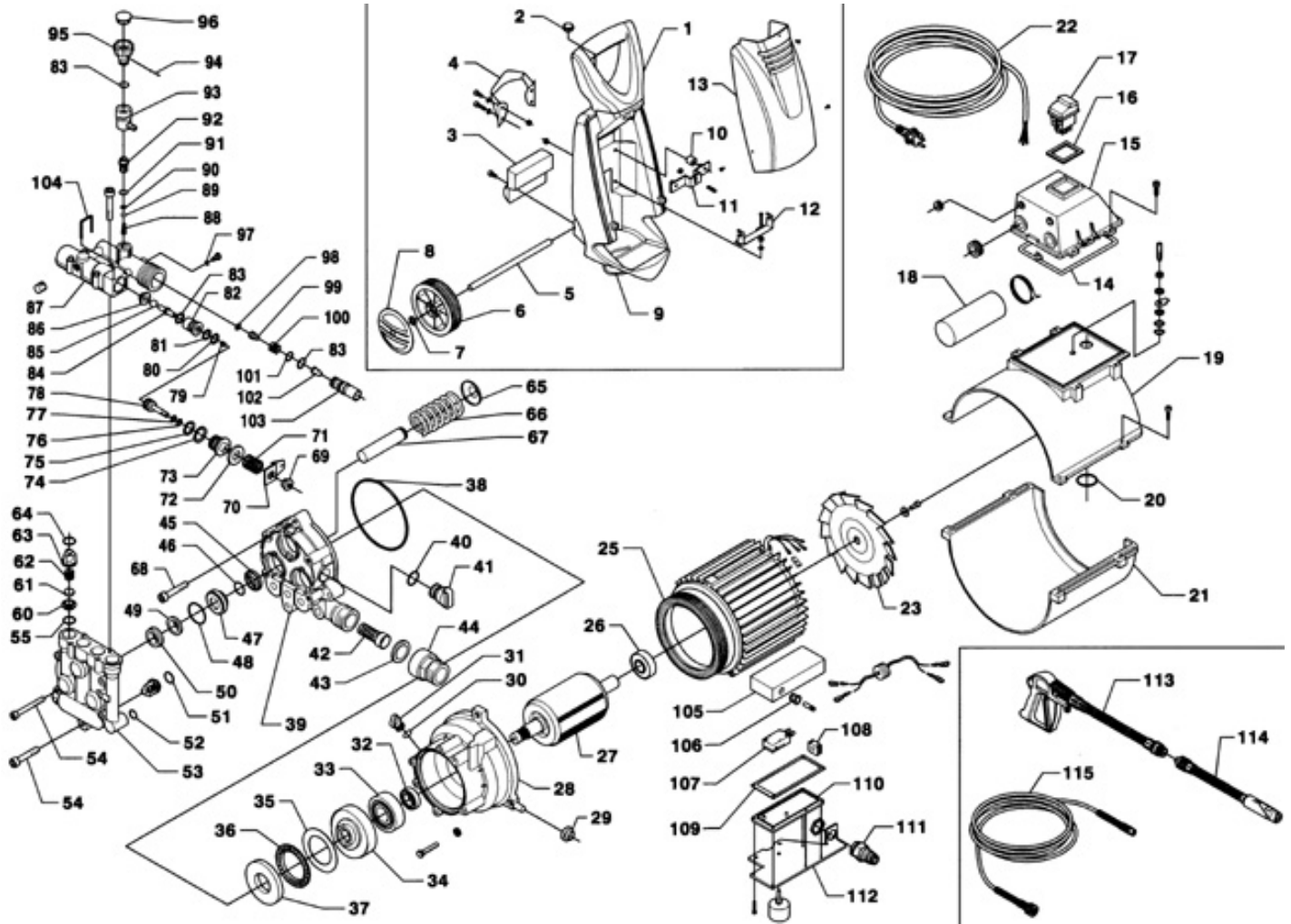
*www.portotecnica.com*

## **Spare Parts List**

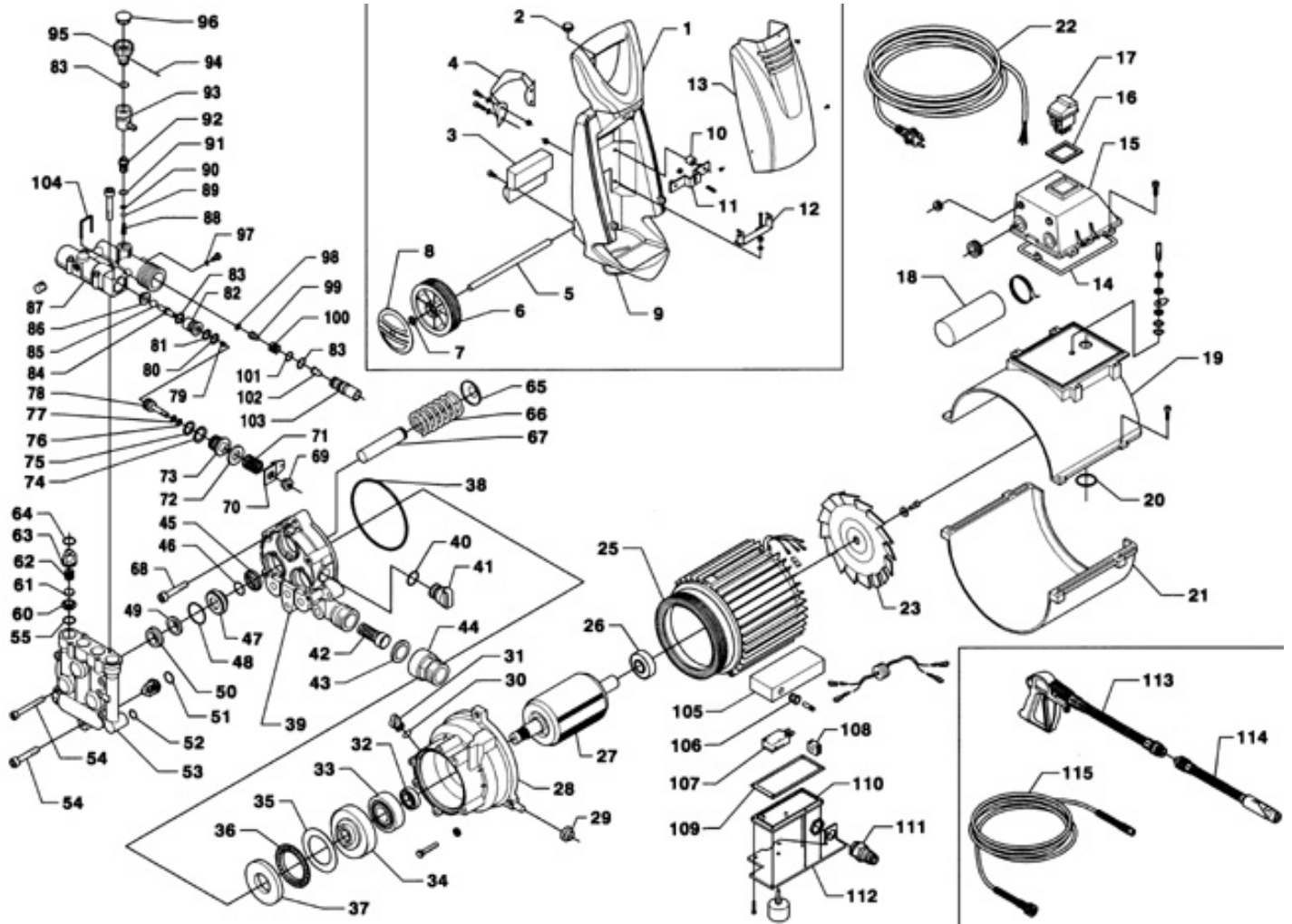
**ENTUZIAST**

**Ref: IDAF38933**

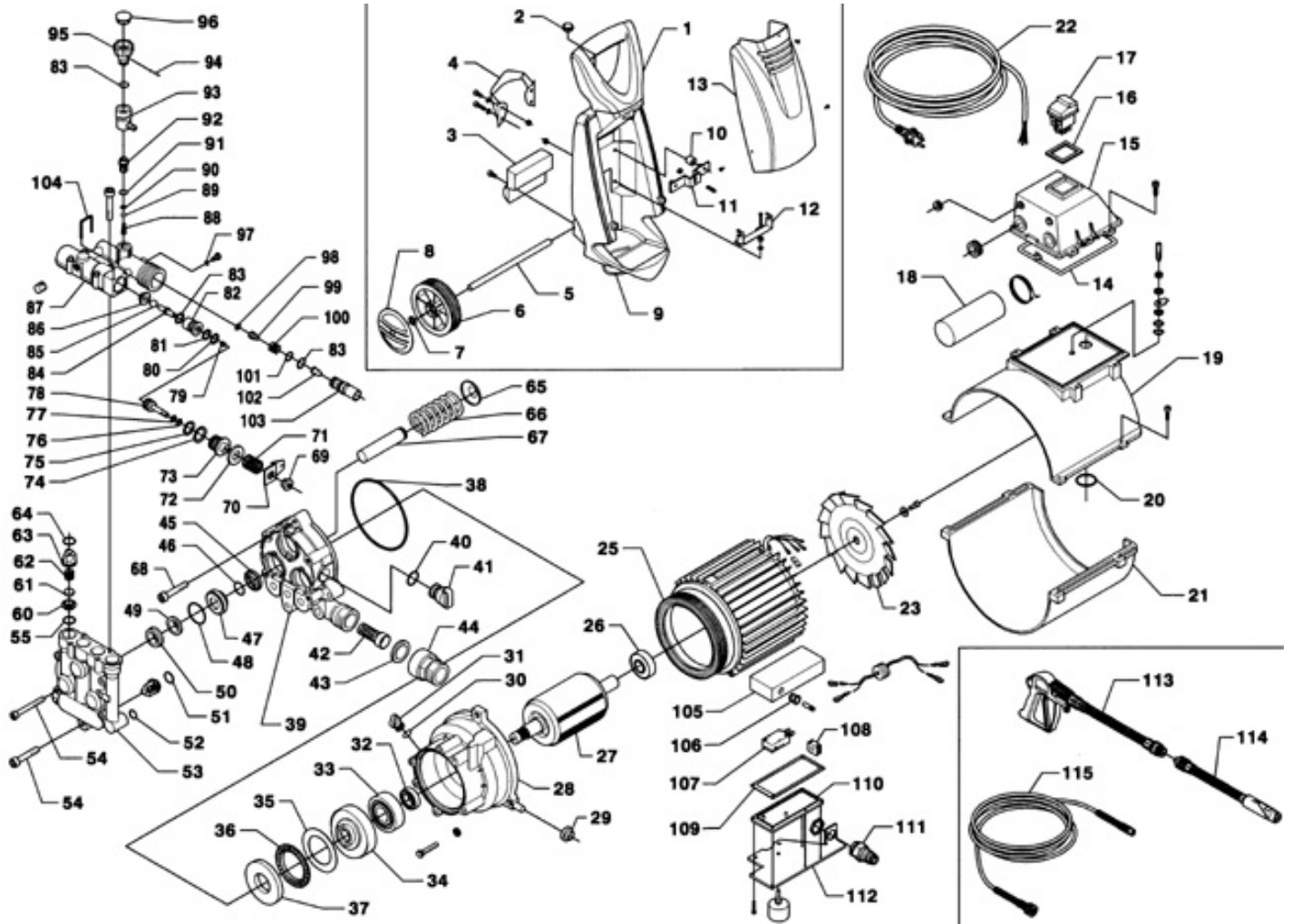
**Model: IDROP ONE DS 2000 M 23-240/50 3-01PRT**



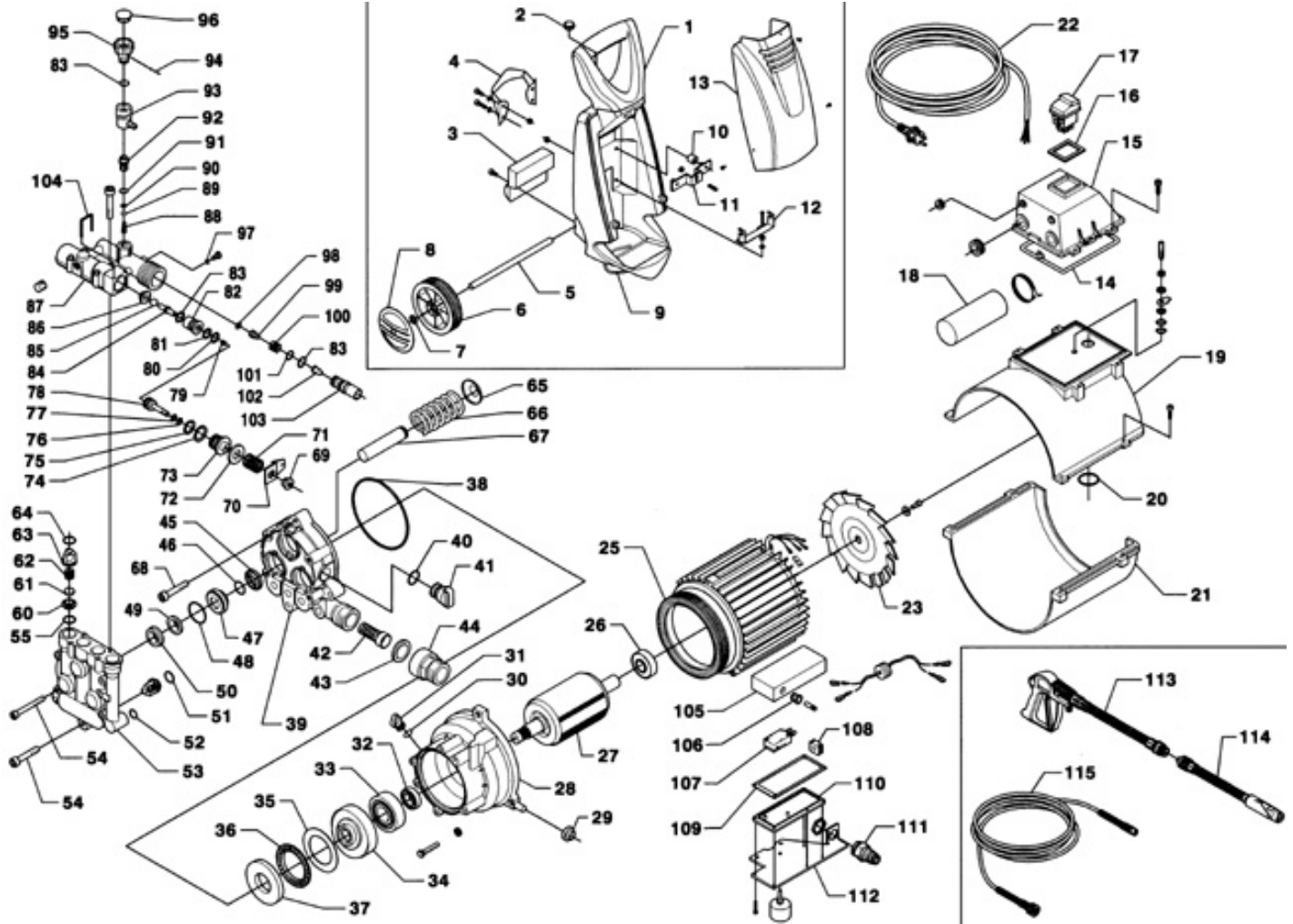
Ref.	K	Part N.	Customer Part N.	Description	Qty	Validity:		Price
						From	To	
0001		MPVR82282		TANK F150 OT	1,00			--
0002		MPVR40137		TANK CAP BOX	1,00			--
0003		MPVR60561		HOSE SUPPORT F 150	1,00			--
0004		MPVR40133		HOSE SUPPORT ONE F140	1,00			--
0005		LAFN40135		WHEELS AXLE D.15 ONE F150	1,00			--
0006		RTRT40136		WHEEL D.175-D.15 SPI-2	2,00			--
0007		VTRS12320		WASHER D.16	2,00			--
0008		MPVR40142		HUB CAP D. 145 F140	2,00			--
0009		TBBP04917		L.P. HOSE D. 6- 9	1,00			--
0010		MPVR40139		RUBBER D. 12-30 L=35	2,00			--
0011		LAFN40140		BRACKET F140	1,00			--
0012		LAFN59050		SUPPORT F140	1,00			--
0013		MPVR39532		RED COVER ONE PP	1,00			--
0014		GUVR82555		JOINT D. 4	0,50			--
0015		MPVR40144		CONTROL BOX ONE AX140	1,00			--
0016		GUGO40147		GASKET SLX FP	1,00			--
0017		MECI61586		SWITCH SLX 16A O-I A44	1,00			--
0018		MECO61715		CAPACITOR 40 MF D. 45X 95 FASTON	1,00			--
0019		MPVR40145		BOX COVER A.700	1,00			--
0020		GUGO63500		O-RING D. 19 X 2 NBR 70SH	1,00			--
0021		MPVR40146		CONVEYOR A.700	1,00			--
0022		MECB81327		CABLE H07 RNF 3X1.5 MT 5.5 S2	1,00			--
0023		VEVR40161		IMPELLER A.700 D.140	1,00			--
0025		MOST80297		EL.MOT. STATOR CPL 125X 65 H110 230/50 I	1,00			--
0026		CUVR34501		BALL BEARING 6003 2Z	1,00			--
0027		MORT80378		EL.MOT. ROTOR CPL 65X 20 H110 G6	1,00			--
0028		MFVR82468		SHIELD AQUA 700 S3	1,00			--
0029		MPVR40150		BUSHING D. 20X12.5	2,00			--
0030		GUGO40149		O-RING D. 11 X 2 NBR 70SH	1,00			--
0031		PVVR40148		OIL CAP A.700	1,00			--
0032		GUGO40156		OIL SEAL 17X 28X 7 NBR70	1,00			--
0033		CUVR53307		BALL BEARING 7303 B	1,00			--
0034		MFVR58080		CAP 8° 30" HOBBY 90	1,00			--
0035		CUVR40153		FLANGE D. 40X60-1 AS4060	1,00			--
0036		CUVR40152		ROLLER BEARING AXK 4060	1,00			--
0037		CUVR40151		FLANGE D.60 H.90	1,00			--
0038		GUGO40199		O-RING D. 80.60 X 2.62 NBR 70SH	1,00			--
0039		MFVR80255		CRANKCASE 14 LG H3 S/SP.	1,00			--
0040		GUGO41606		O-RING D. 13 X 3 NBR 70SH	1,00			--



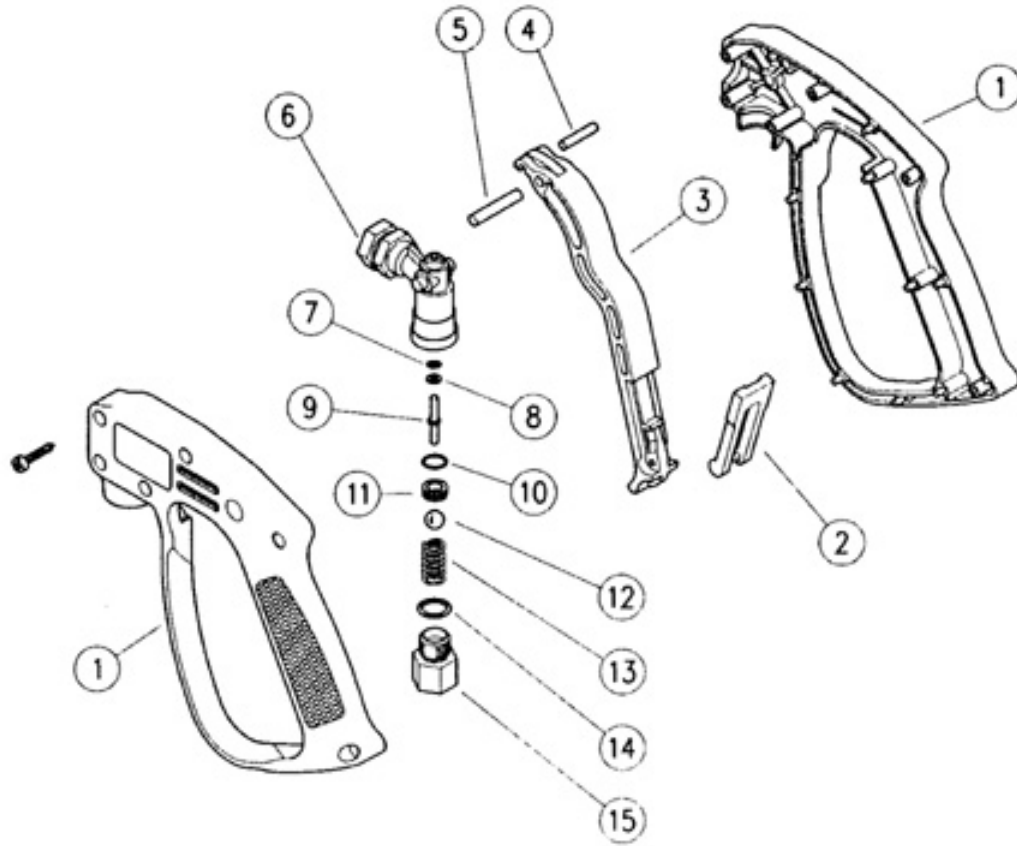
Ref.	K	Part N.	Customer Part N.	Description	Qty	Validity: From To	Price
0041		PVVR34503		CAP D. 14 CBX	1,00		--
0042		FTAC28338		FILTER HBX	1,00		--
0043		GUGO40205		GASKET D. 15- 22	1,00		--
0044		PVVR40204		CONNECTOR H.90	1,00		--
0045	S	GUGO40197		OIL SEAL 14X 22X 5-L.CM -NOK	3,00		--
0046	S	GUGO19194		O-RING D. 11.11 X 1.78 NBR 70SH	3,00		--
0047	S	PVVR40196		PACKING RETAIN.D. 14 H.90	3,00		--
0048	S	GUGO19290		O-RING D. 23.52 X 1.78 NBR 70SH	3,00		--
0049	S	PVVR81773		HEAD RING 14X22X1.5	3,00		--
0050	S	GUVR40194		PACKING D. 14 W214	3,00		--
0051		GUGO40192		O-RING D. 12 X 2 NBR 90SH	3,00		--
0052		GUGO12490		O-RING D. 8.74 X 1.78 NBR 70SH	1,00		--
0053		MFVR40203		PUMP HEAD HOBBY 90 AL.	1,00		--
0054		VTVT01117		SCREW TCEI 6X35 UNI 5931 12.9	5,00		--
0055		GUGO21841		O-RING D. 12.42 X 1.78 NBR 90SH	3,00		--
0060	S	PVVR40191		VALVE SEAT "TH"	6,00		--
0061	S	PVVR40190		CAP A.700 INX	6,00		--
0062	S	MLML40189		SPRING D. 5.5 "TH"	6,00		--
0063	S	PVVR40188		VALVE GUIDE "TH"	6,00		--
0064		GUGO40193		O-RING D. 15 X 2 NBR 70SH	4,00		--
0065		PVVR40201		SPRING PLATE H.90	3,00		--
0066		MLML59285		SPRING 5 SP	3,00		--
0067		PIVR40202		PISTON D.14 H.90 INOX	3,00		--
0068		VTVT01116		SCREW TCEI 6X30 UNI5931	3,00		--
0069		VTDD40171		NUT E.START	1,00		--
0070		LAFN40186		PLATE A.700	1,00		--
0071		MLML67104		SPRING 130 BAR D. 3.4	1,00		--
0072		LAFN58903		SPACER D.12 BY-PASS	1,00		--
0073		PVVR40164		VALVE BODY BY-PASS B	1,00		--
0074		GUGO09720		O-RING D. 14 X 1.78 NBR 70SH	1,00		--
0075		GUGO11652		O-RING D. 12.42 X 1.78 NBR 70SH	1,00		--
0076		GUVR40170		ANTI-EXTR.RING D. 6 X 9	1,00		--
0077		GUGO12489		O-RING D. 6.07 X 1.78 NBR 70SH	1,00		--
0078		PVVR80703		SMALL PISTON E.START LG.	1,00		--
0079		MLML40169		SPRING E.START	1,00		--
0080		GUGO12490		O-RING D. 8.74 X 1.78 NBR 70SH	1,00		--
0081		GUVR24818		ANTI-EXTR.RING D. 12 X 9 X 1.5	1,00		--
0082		PVVR81275		VALVE SEAT D. 5.6 B POL.	1,00		--
0083		GUGO03496		O-RING D. 9.25 X 1.78 NBR 70SH	3,00		--



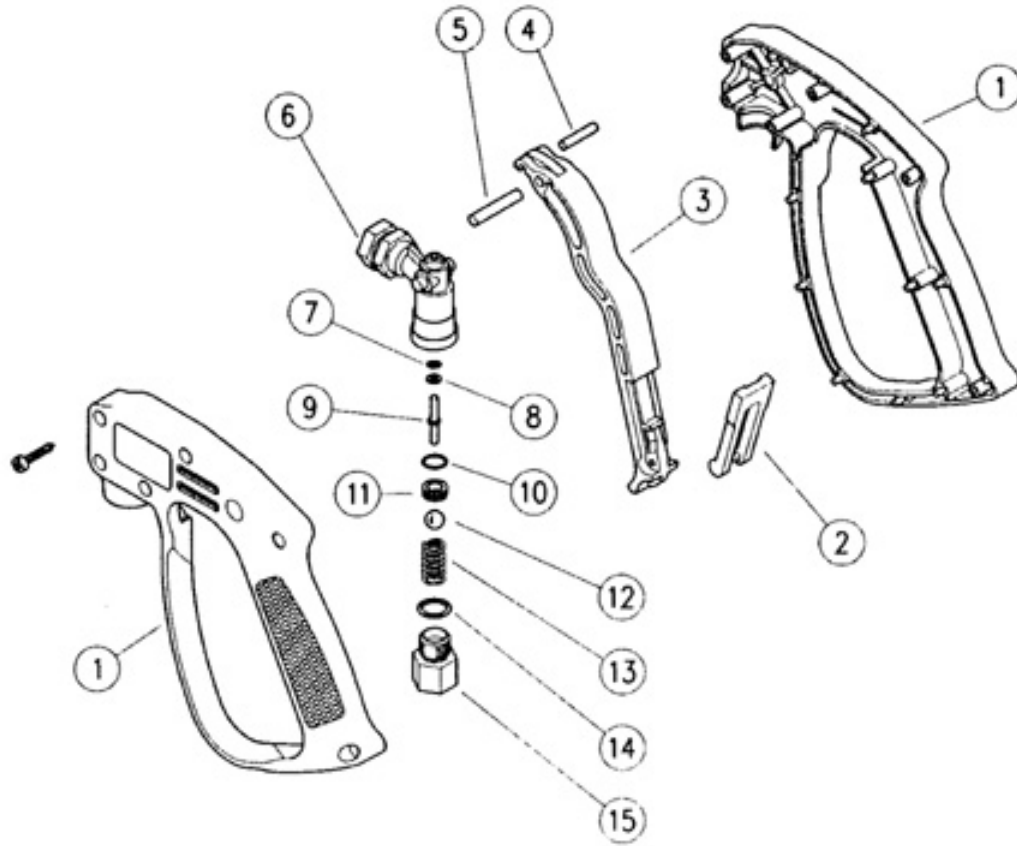
Ref.	K	Part N.	Customer Part N.	Description	Qty	Validity:		Price
						From	To	
0084		PVVR40165		CONTROL PISTON E.START	1,00			--
0085		SFVR19399		BALL D. 7	1,00			--
0086		PVVR40167		CAP B12	1,00			--
0087		MFVR57888		MANIFOLD H 94 AL ML	1,00			--
0088		MLML40172		SPRING D. 3.5	1,00			--
0089		SFVR40173		BALL D. 3/16" AISI 420	1,00			--
0090		GUGO01062		O-RING D. 3.69 X 1.78 NBR 70SH	1,00			--
0091		GUGO06988		O-RING D. 7.66 X 1.78 NBR 70SH	1,00			--
0092		RCDS40187		NIPPLE A.700	1,00			--
0093		PVVR40174		BODY A.700	1,00			--
0094		VTVR40176		PLUG 2X22 UNI 1707 INX	1,00			--
0095		PVVR40177		KNOB AX14	1,00			--
0096		MPVR40175		PROTECTION AX14	1,00			--
0097		GUGO08636		O-RING D. 4 X 2 EPDM70SH	1,00			--
0098		GUGO40181		O-RING D. 5 X 2 NBR 90SH	1,00			--
0099		VVSF40182		VALVE H90 PLS	1,00			--
0100		MLML40183		SPRING D. 9,4 X 10,2 L=10 V.NR.	1,00			--
0101		GUGO40179		O-RING D. 8 X 2 NBR 70SH	1,00			--
0102		UGEI40178		NOZZLE D. 1.8 HOBBY	1,00			--
0103		MPVR81152		NIPPLE H90 S3	1,00			--
0104		LAFN82147		PLUG ARR.CART BY-PASS BUR S2	1,00			--
0105		MPVR40206		SHELL T-STOP S/2	1,00			--
0106		MPVR41620		PROTECTOR S.T-STOP FP	1,00			--
0107		MECI80639		MICROSWITCH 20A F.S/L	1,00			--
0108		MPVR40207		FAIR-LEAD COND.D.5.5 55 SHORE	1,00			--
0109		GUVR40208		GASKET T-ST. S/2	1,00			--
0110		MPVR40209		COVER S.T-STOP S/2	1,00			--
0111		MEVR40210		FAIR-LEAD D. 10 HMM	1,00			--
0112		LAFN40211		BRACKET SIST.T-STOP S/2	1,00			--
0113		IPPR40669		GRIP RL 20 - P 300 - 1/4M	1,00	05/1999	04/2001	--
0113		IPPR43857		GRIP G 2100 +PR.320 +1/4 M HBY	1,00	04/2001		--
0114		LCPR39285		EXTENSION P 220 - HL 1.3 MR	1,00		05/2001	--
0114		LCPR43860		EXTENSION P 330 - I.JET D.1.10 BI	1,00	06/2001		--
0115		TBAP20264		H.P. HOSE SAE MT 8 D.6 IRV F - 1/4F	1,00			--



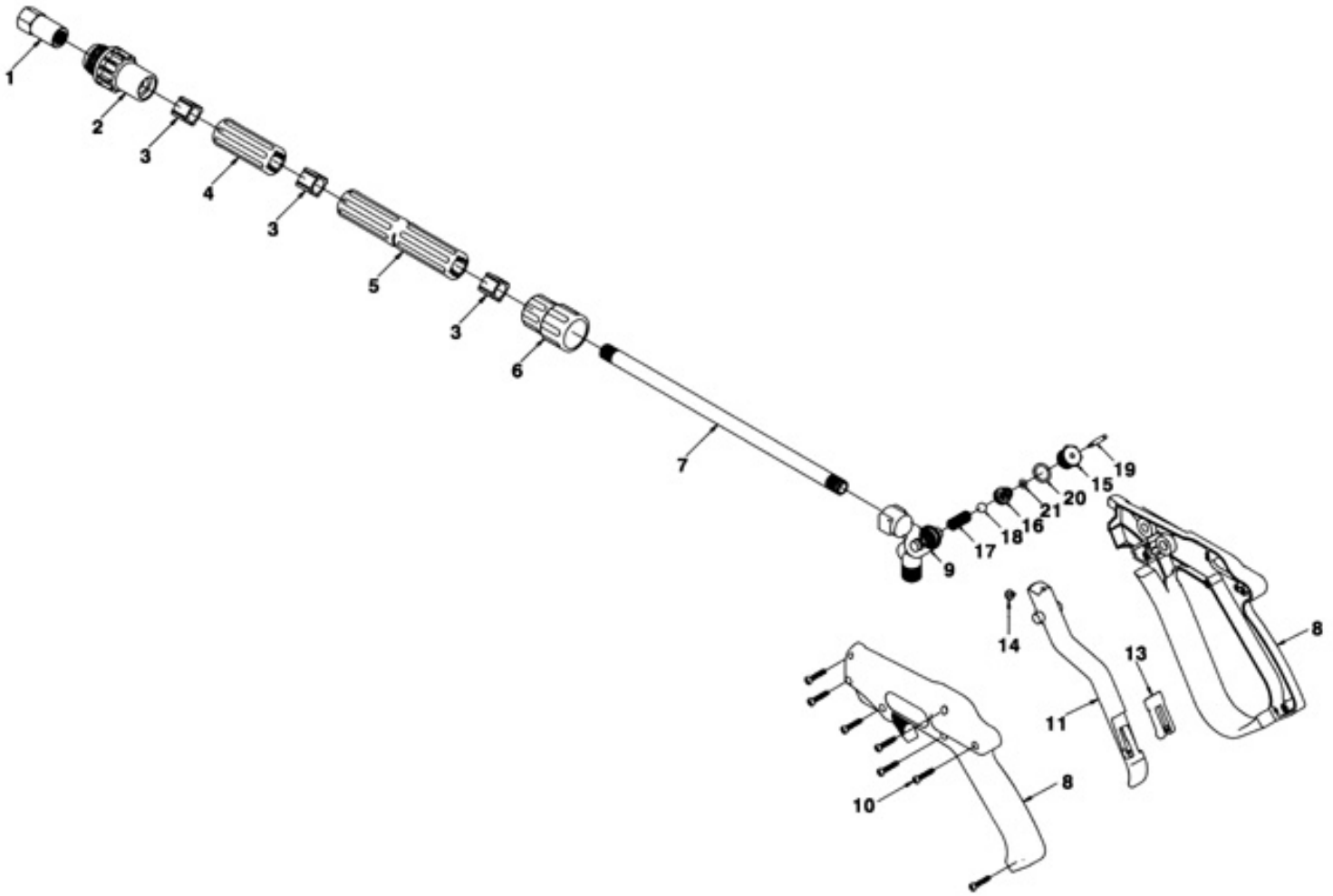
Ref. Part N.	Cust. Part N.	Description	Reference	Price
KTRI40252		KIT P 15-400 F140	0060 0061 0062 0063	--
KTRI40253		KIT P 15-401 F140	0046 0047 0048 0049 0050	--
KTRI40254		KIT P 15-402 F140	0045	--



Ref. K	Part N.	Customer Part N.	Description	Qty	Validity: From	To	Price
0001	MPVR41687		LANCE SHELL RL20 2PZ.	1,00			--
0002	MPVR38722		SAFETY-DEVICE RL25	1,00			--
0003	MPVR41688		TRIGGER RL20	1,00			--
0004	VTVR41689		PLUG D. 4X16 INX	1,00			--
0005	VTVR21843		PLUG D.5X24.5	1,00			--
0006	PVVR41690		GUN BODY RL20 G1/4	1,00			--
0007	S GUVR27719		ANTI-EXTR.RING D. 3.2X 6 X1.5	1,00			--
0008	S GUGO19189		O-RING D. 2.90 X 1.78 NBR 70SH	1,00			--
0009	S PVVR41691		SMALL PISTON RL20	1,00			--
0010	S GUGO41692		O-RING D. 9 X 1 NBR 70SH	1,00			--
0011	S PVVR41693		BALL SEAT D.6 RL20 + OR	1,00			--
0012	S SFVR28581		BALL D. 5/16" P 3	1,00			--
0013	MLML41694		SPRING D. 6 RL 20	1,00			--
0014	S GUGO01036		O-RING D. 10.82 X 1.78 NBR 70SH	1,00			--
0015	RCDS42023		NIPPLE G 1/4 -G1/4 RL 20	1,00			--

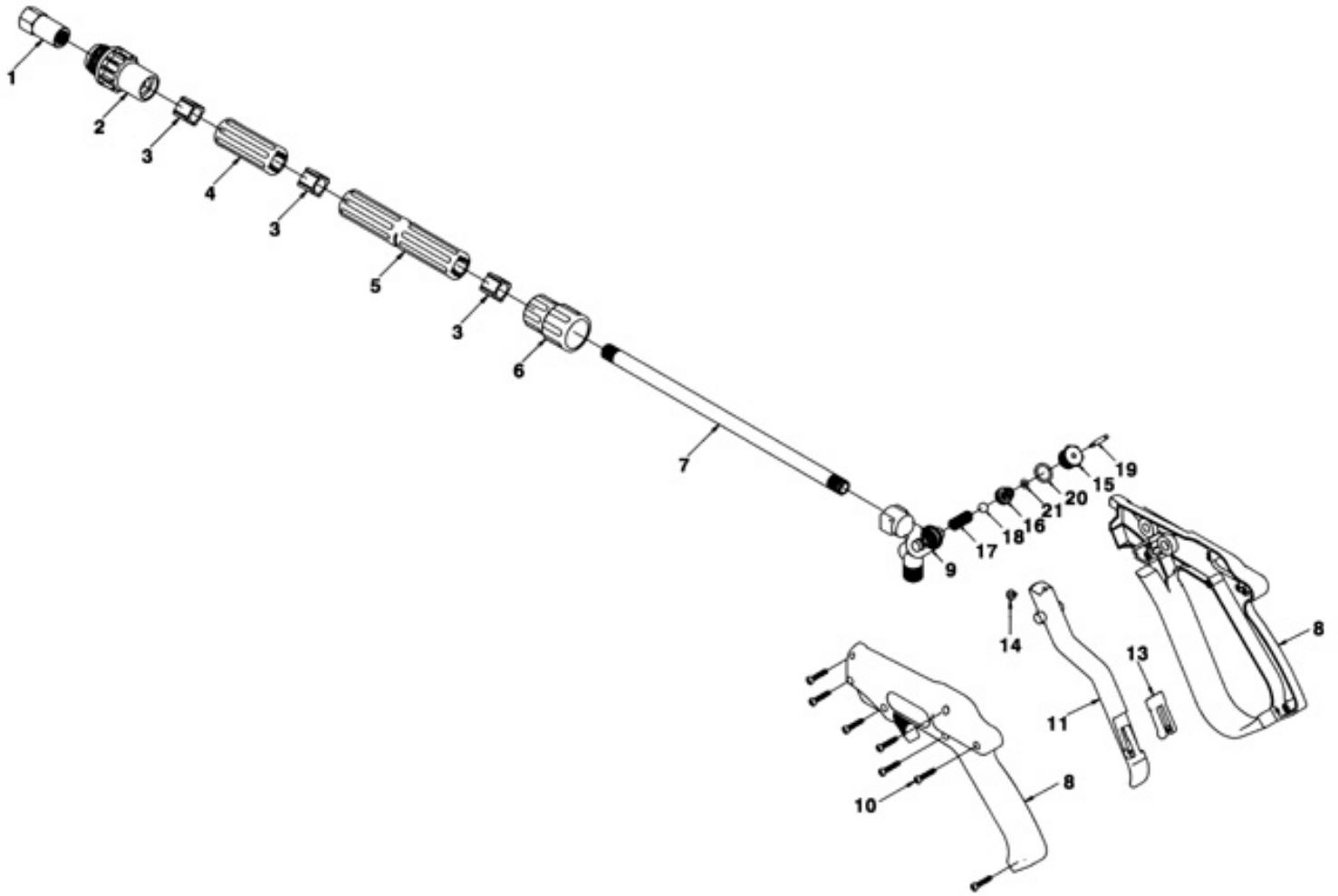


Ref. Part N.	Cust. Part N.	Description	Reference	Price
KTRI41695	KIT P	26- 16	0007 0008 0009 0010 0011 0012 0014	--

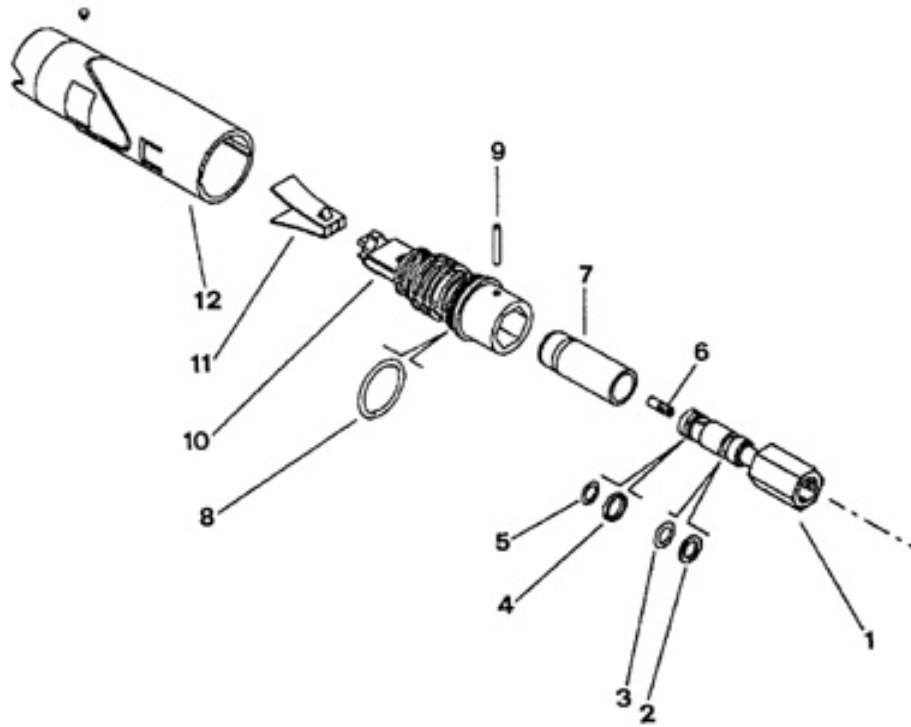


Ref. K	Part N.	Customer Part N.	Description	Qty	Validity: From To	Price
0001	RCIN45040		FEMALE COUPLIN.P320 OT	1,00		--
0002	MPVR45041		PROTECTION M27X2 M MV	1,00		--
0003	MPVR45042		BUSHING D.13 MV	3,00		--
0004	MPVR45043		SPACER P 320 MV	1,00		--
0005	MPVR45044		PROTECTION P 320 MV	1,00		--
0006	MPVR45045		PROTECTION P 320 MV	1,00		--
0007	PVVR45048		TUBE G 1/4 MV L=291 ZB FESS	1,00		--
0008	MPVR45049		SHELL G2100 PRT	1,00		--
0009	PVVR45054		GUN BODY G 2100 G1/4	1,00		--
0010	VTVT62984		SCREW TC-CR M 4.2 X19 ZN	7,00		--
0011	MPVR45050		TRIGGER G 2100 MV	1,00		--
0013	MPVR45052		SAFETY-DEVICE G 2100	1,00		--
0014	PVVR45053		PAWL G 2100 INX	1,00		--
0015	PVVR45055		CAP M14X1 MV870 +AE.RING	1,00		--
0016	PVVR45056		BUSHING MV860 INX +O-RING	1,00		--
0017	S MLML45057		SPRING D. 7 MV870	1,00		--
0018	S SFVR12904		BALL D. 9/32 W1 INX	1,00		--
0019	S PVVR45058		SMALL PISTON MV 832 INX	1,00		--
0020	S GUGO19194		O-RING D. 11.11 X 1.78 NBR 70SH	1,00		--
0021	S GUGO19189		O-RING D. 2.90 X 1.78 NBR 70SH	1,00		--

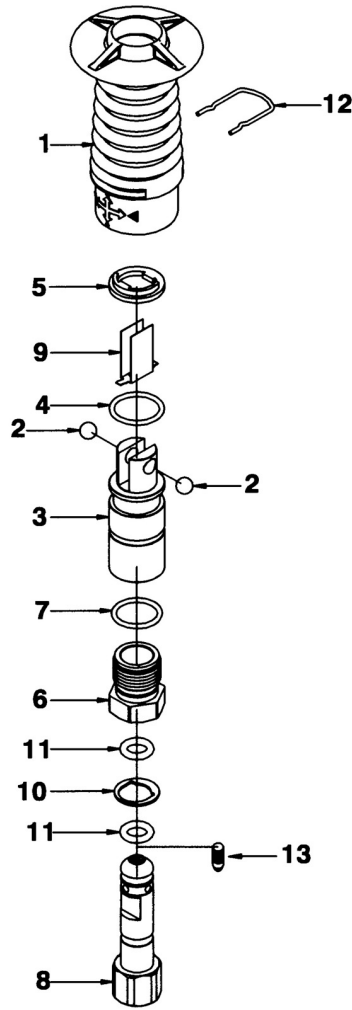




Ref. Part N.	Cust. Part N.	Description	Reference	Price
KTRI45068		KIT P 26- 19 G 2100	0017 0018 0019 0020 0021	--



Ref. K	Part N.	Customer Part N.	Description	Qty	Validity:		Price
					From	To	
0001	PVVR38731		PIN HL250 1/4F	1,00			--
0002	GUVR38728		ANTI-EXTR.RING D. 8 X12	1,00			--
0003	GUGO48372		O-RING D. 7.3 X 2.4 NBR 70SH	1,00			--
0004	PVVR38729		RING D. 10.2	1,00			--
0005	GUGO03500		O-RING D. 6.75 X 1.78 NBR 70SH	1,00			--
0006	UGLN38694		NOZZLE M4 D. 1.3	1,00			--
0007	PVVR38733		CASE HL250	1,00			--
0008	GUGO08182		O-RING D. 21.91 X 1.78 NBR 70SH	1,00			--
0009	VTVR38730		PLUG D. 3X23 HL250	1,00			--
0010	PVVR38732		BODY HL250	1,00			--
0011	PVVR38735		GUIDE BLADE HL250	1,00			--
0012	MPVR38734		CAP HL250	1,00			--



Ref. K	Part N.	Customer Part N.	Description	Qty	Validity:		Price
					From	To	
0001	MPVR45059		CAP I.JET	1,00			--
0002	SFVR45060		BALL D. 1/ 4" AISI 420	2,00			--
0003	PVVR45061		BODY I.JET	1,00			--
0004	GUGO01058		O-RING D. 17.17 X 1.78 NBR 70SH	1,00			--
0005	PVVR45062		CIRCLIP I.JET	1,00			--
0006	PVVR45063		NUT I.JET	1,00			--
0007	GUGO03505		O-RING D. 15.6 X 1.78 NBR 70SH	1,00			--
0008	PVVR45064		PIN I.JET 1/4F	1,00			--
0009	PVVR45065		GUIDE BLADE I.JET	1,00			--
0010	PVVR45066		RING I.JET	1,00			--
0011	GUGO31501		O-RING D. 7.60 X 2.62 VIT 70SH	2,00			--
0012	LAFN45067		PLUG "U" I.JET	1,00			--
0013	UGLN44393		NOZZLE M4 D. 1.10	1,00			--