

*Cleaning
Equipment*



portotecnica

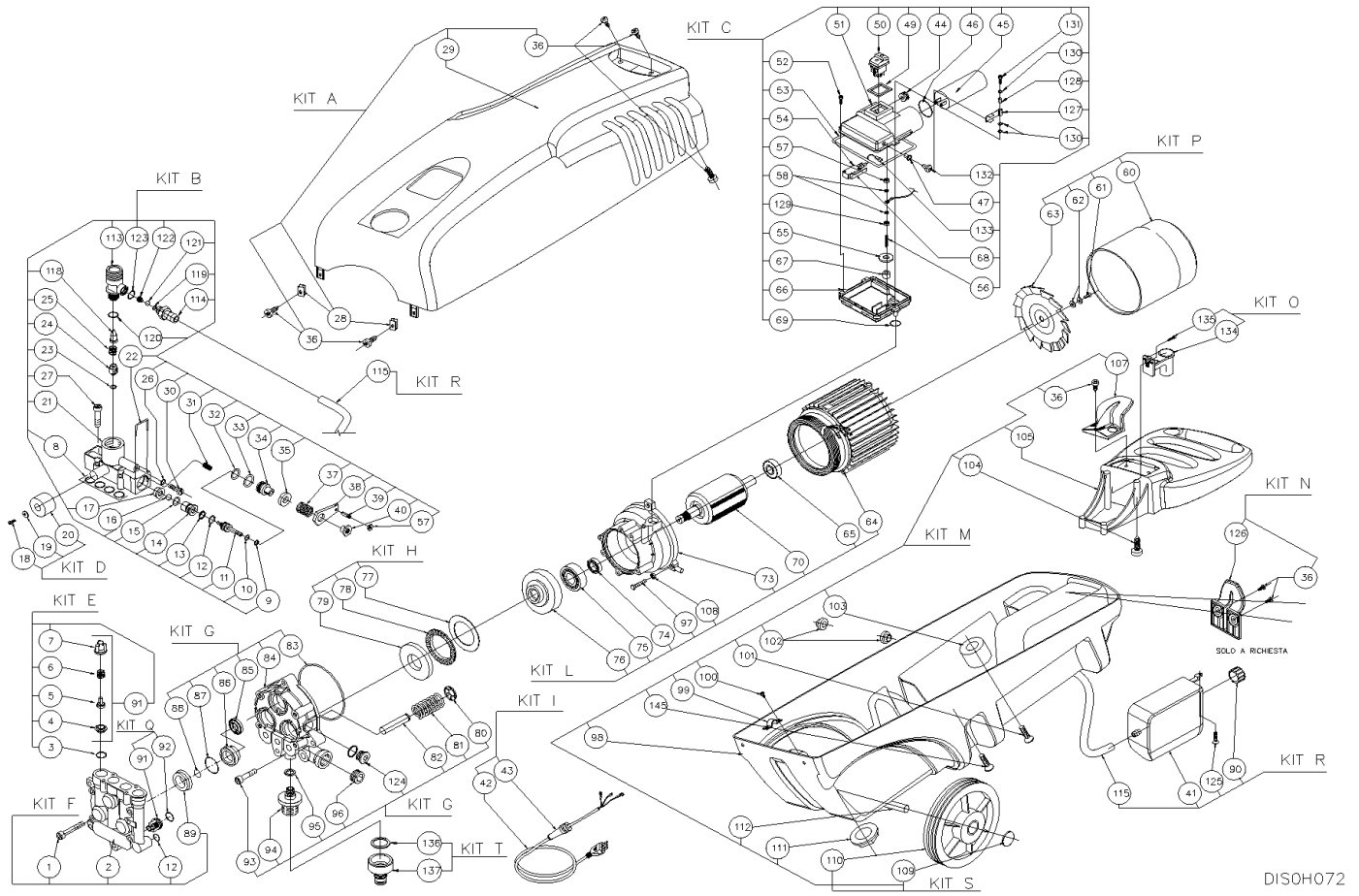
www.portotecnica.com

Spare Parts List

ENTUZIAST

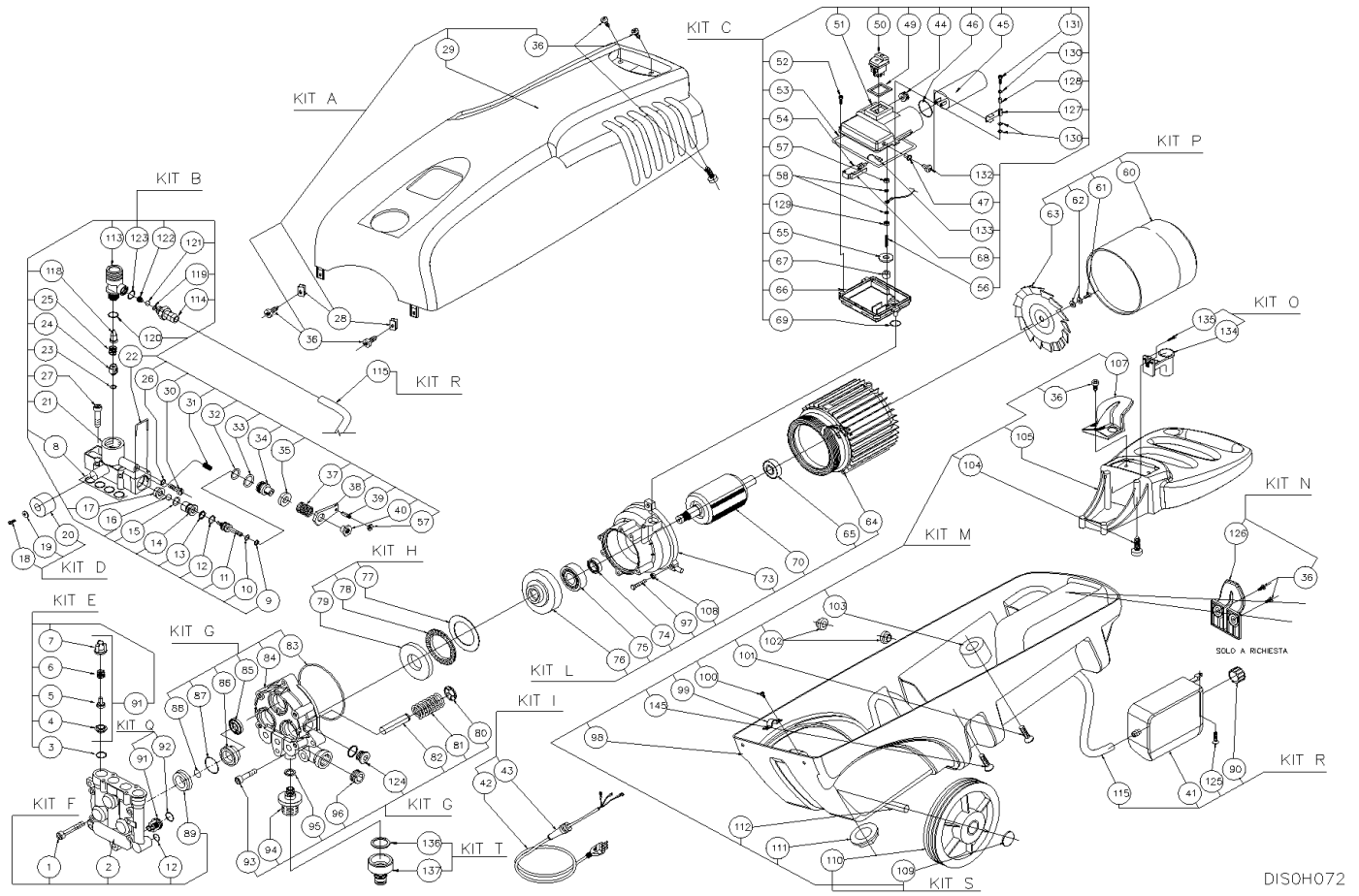
Ref: IDAF42398

Model: IDROP ONE-AF DS 1900 M 230/50 3-01PRT



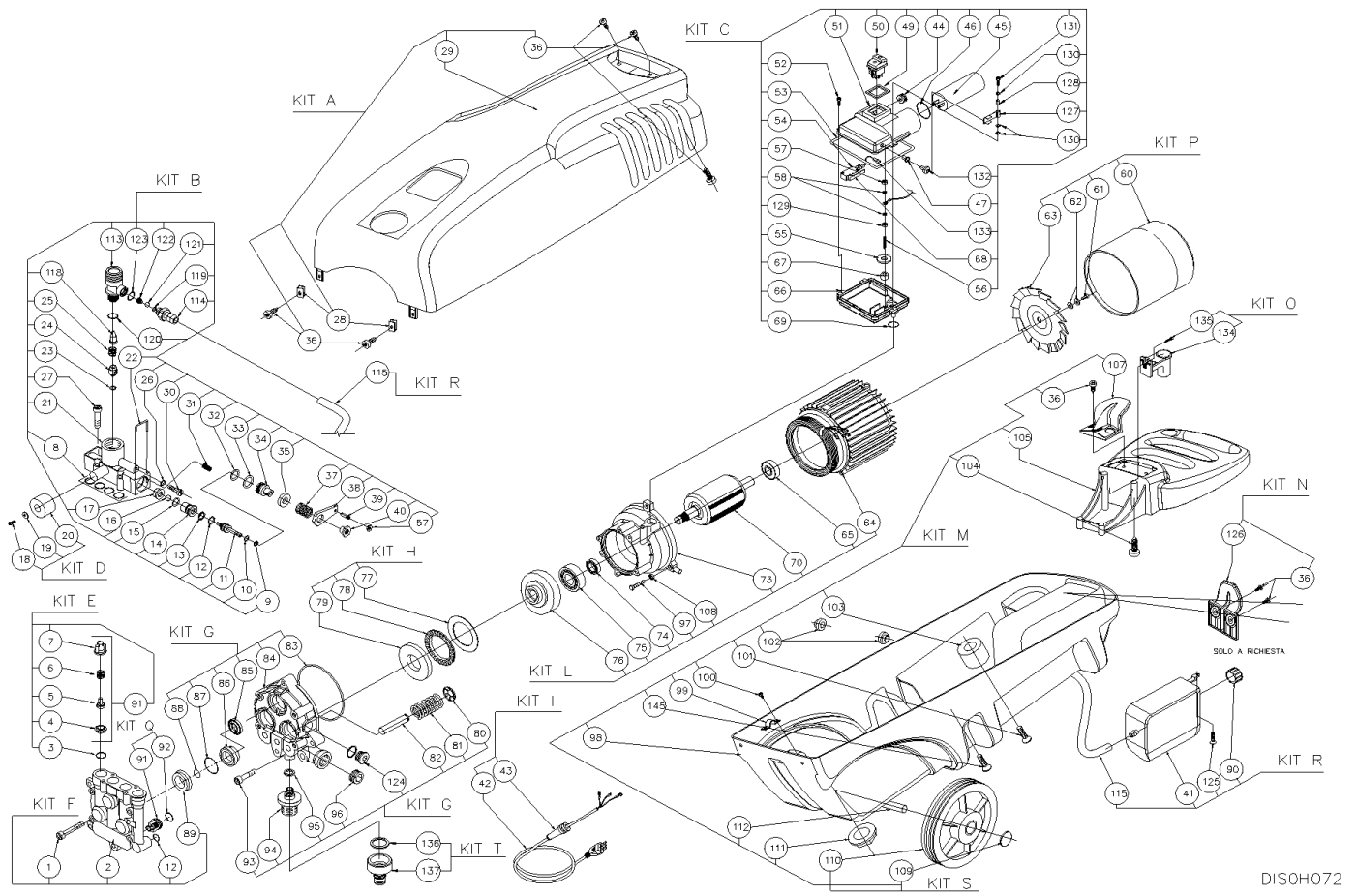
DISOH72

Ref.	K	Part N.	Customer Part N.	Description	Qty	Validity:		Price
						From	To	
0001	E	VTVT63028		SCREW TCEI M 6X35	5,00	05/2001	--	--
0002	E	MFVR40203		PUMP HEAD HOBBY 90 AL.	1,00	08/2000	--	--
0003	E	GUGO21841		O-RING D. 12.42 X 1.78 NBR 90SH	3,00	08/2000	--	--
0004	E	PVVR40191		VALVE SEAT "TH"	6,00	08/2000	--	--
0005	E	PVVR40190		CAP A.700 INX	6,00	08/2000	--	--
0006	E	MLML40189		SPRING D. 5.5 "TH"	6,00	08/2000	--	--
0007	E	PVVR40188		VALVE GUIDE "TH"	6,00	08/2000	--	--
0008	E	GUGO40193		O-RING D. 15 X 2 NBR 70SH	4,00	08/2000	--	--
0009	E	GUVR40170		ANTI-EXTR.RING D. 6 X 9	1,00	--	--	--
0010	E	GUGO12489		O-RING D. 6.07 X 1.78 NBR 70SH	1,00	--	--	--
0011	E	PVVR81242		CONTROL PISTON BY-PASS H90 OT S2	1,00	--	--	--
0012	E	GUGO63403		O-RING D. 8.73 X 1.78 NBR 70SH	1,00	08/2000	--	--
0013	E	GUVR63570		ANTI-EXTR.RING D. 9 X12 X1.5 OR108	1,00	--	--	--
0014	E	PVVR81275		VALVE SEAT D. 5.6 B POL.	1,00	--	--	--
0015	E	GUGO03496		O-RING D. 9.25 X 1.78 NBR 70SH	1,00	--	--	--
0016	E	SFVR53318		BALL D. 7 AISI 420	1,00	--	--	--
0017	E	PVVR40167		CAP B12	1,00	--	--	--
0018	E	VTVT62955		SCREW M 6X 20 TCCR ZN TRIL.	1,00	03/1999	--	--
0019	E	VTRS63195		WASHER D. 6.4X16.3X1 UNI 1739/64	1,00	03/1999	--	--
0020	E	MPVR60544		FOOT H130 (D. 6)	1,00	09/1999	--	--
0021	E	MFVR83838		MANIFOLD AQ300 C/ASP NEW C/VITE	1,00	--	--	--
0022	E	LAFN82147		PLUG ARR.CART BY-PASS BUR S2	1,00	--	--	--
0023	E	GUGO40181		O-RING D. 5 X 2 NBR 90SH	1,00	--	--	--
0024	E	VVSF40182		VALVE H90 PLS	1,00	--	--	--
0025	E	MLML59254		SPRING D. 9.2 X10X0.8 AISI 302	1,00	--	--	--
0026	E	GUGO01062		O-RING D. 3.69 X 1.78 NBR 70SH	1,00	--	--	--
0027	E	VTVT63026		SCREW TCEI M 5X30 UNI 5931 ZC	4,00	05/2001	--	--
0028	E	FSVR62796		PLATE F.MOR.PD	2,00	--	--	--
0029	E	MPVR81508		RED COVER H130 NEW	1,00	--	--	--
0030	E	RCDS83749		SCREW CHIUSURA BY PASS M6	1,00	--	--	--
0031	E	MLML80000		SPRING D. 5.1 X19 X0.4 E/ST	1,00	--	--	--
0032	E	GUGO11652		O-RING D. 12.42 X 1.78 NBR 70SH	1,00	--	--	--
0033	E	GUGO09720		O-RING D. 14 X 1.78 NBR 70SH	1,00	--	--	--
0034	E	PVVR40164		VALVE BODY BY-PASS B	1,00	--	--	--
0035	E	LAFN58903		SPACER D.12 BY-PASS	1,00	--	--	--
0036	E	VTVT63113		SCREW TCB TC 4,8X22 C/R ZN/N	2,00	06/2001	--	--
0037	E	MLML67104		SPRING 130 BAR D. 3.4	1,00	--	--	--
0038	E	LAFN58939		BLADE H 97	1,00	--	--	--
0039	E	VTVT63055		SCREW M 5X 16 EI-ST UNI 5923	1,00	08/2000	--	--



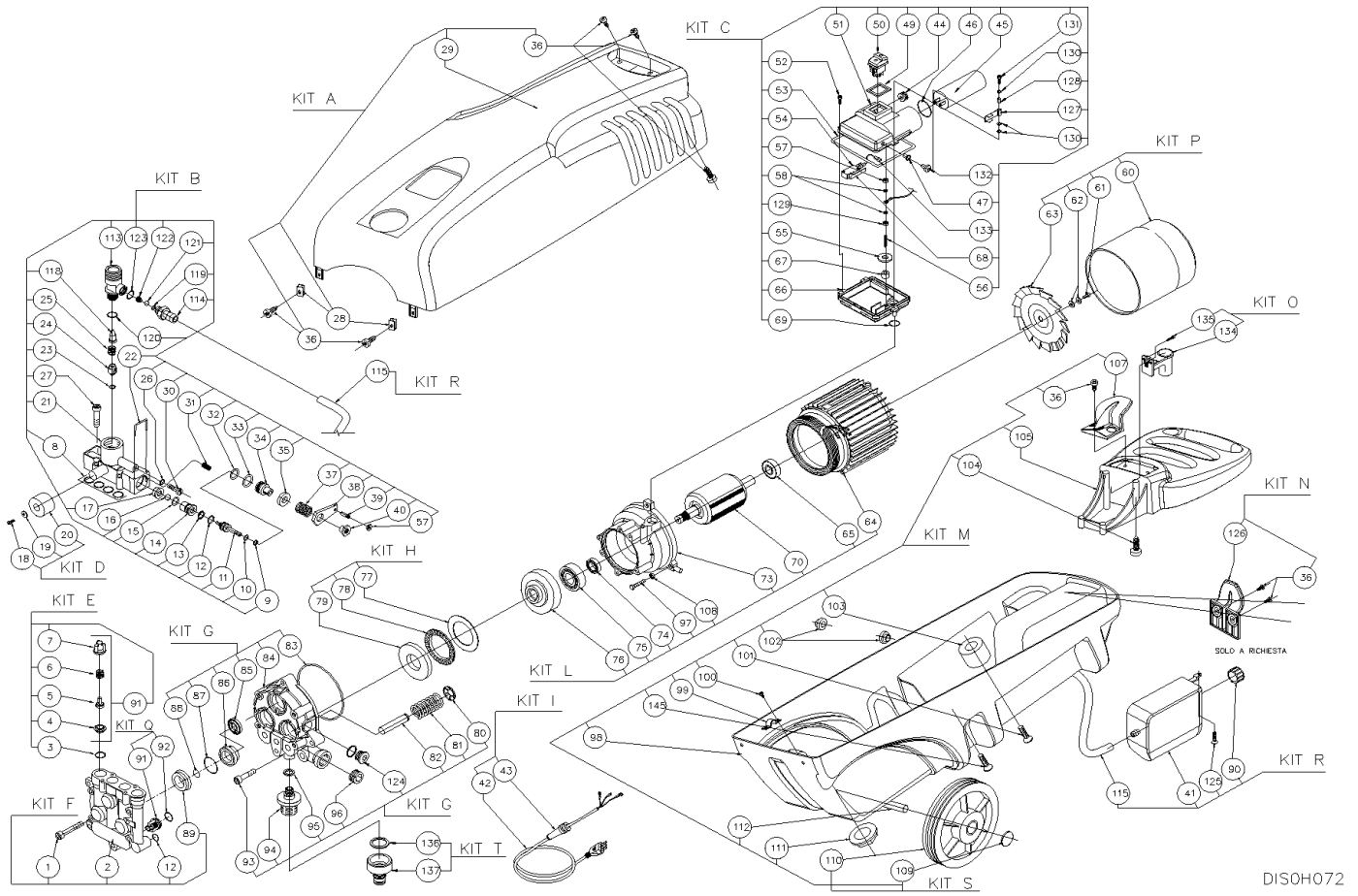
DISOHO72

Ref.	K	Part N.	Customer Part N.	Description	Qty	Validity:		Price
						From	To	
0040	E	VTDD59240		NUT B	1,00			--
0041	E	MPVR80519		DETERGENT TANK H130 D. 4.25	1,00	09/2001		--
0042	E	MECB81331		CABLE HO5RN-F 3X1 M5,5	1,00			--
0043	E	MPVR60522		FAIR-LEAD H97 S2	1,00	08/2000		--
0044	E	MEVR77797		FAIR-LEAD DK7/14/18-3	1,00	08/2000		--
0045	E	MECO61707		CAPACITOR 30 MF 450V D.45X94 2FAST.	1,00	08/2000		--
0046	E	GUGO25526		O-RING D. 37.82 X 1.78 NBR 70SH	1,00	08/2000		--
0047	E	MPVR41620		PROTECTOR S.T-STOP FP	1,00	08/2000		--
0049	E	GUGO40147		GASKET SLX FP	1,00	08/2000	06/2003	--
0050	E	MECI61586		SWITCH SLX 16A O-I A44	1,00	08/2000		--
0051	E	MPVR81092		BOX COVER H120 /H130 S2 MD.	1,00	08/2000		--
0052	E	VTVT01516		SCREW TCB TC 3.9X16	2,00	07/2001		--
0053	E	GUVR82555		JOINT D. 4	0,40	09/2001		--
0054	E	MECI80639		MICROSWITCH 20A F.S/L	1,00	08/2000		--
0055	E	VTRS63242		WASHER D. 6 X24 ZC	1,00	08/2000		--
0056	E	VTVT63061		SCREW M 5X 35 EI-ST UNI 5927	1,00	08/2000		--
0057	E	VTDD01678		NUT M 5 UNI 5588	1,00	08/2000		--
0058	E	VTRS63309		WASHER D. 5 UNI 8842	2,00	08/2000		--
0060	E	MPVR60337		CONVEYOR A.400	1,00	08/2000		--
0061	E	VTVT63023		SCREW TCEI M 5X12 ZC	1,00	08/2000		--
0062	E	VTRS63276		WASHER D. 5 UNI 8836 EL.	2,00	08/2000		--
0063	E	VEVR40161		IMPELLER A.700 D.140	1,00	08/2000		--
0064	E	MOST67507		EL.MOT. STATOR C125 X65 H90 230/50 CF M6	1,00	08/2000		--
0065	E	CUVR53295		BALL BEARING 6003 2Z ZKL	1,00	08/2000		--
0066	E	MPVR60093		BOX H130 S2 HOBBY	1,00	08/2000		--
0067	E	LAFN62762		SPACER D. 11 H. 7MM	1,00	08/2000		--
0068	E	LAFN41618		LAMINATION ONE JT.	1,00	08/2000		--
0069	E	GUGO63500		O-RING D. 19 X2 NBR 70SH	1,00	08/2000		--
0070	E	MORT50654		EL.MOT. ROTOR CPL 65 X20 H90 AL211 G6	1,00	08/2000		--
0073	E	MFVR82389		SHIELD H130 S2 S/SP.	1,00	06/2001		--
0074	E	PVVR63537		OIL SEAL 17X 28X 7-NBR HOBBY 90	1,00	08/2000		--
0075	E	CUVR53290		BEARING 6303 17X47X14	1,00	08/2000		--
0076	E	MFVR58085		CAP INCL.10°30'	1,00	08/2000		--
0077	E	CUVR40153		FLANGE D. 40X60-1 AS4060	1,00	08/2000		--
0078	E	CUVR40152		ROLLER BEARING AXK 4060	1,00	08/2000		--
0079	E	CUVR40151		FLANGE D.60 H.90	1,00	08/2000		--
0080	E	PVVR59101		RETAINER RING SW D.10,7/29,9	3,00	08/2000		--
0081	E	MLML59285		SPRING 5 SP	3,00	08/2000		--
0082	E	PIVR58598		PISTON D.12X62 SW	3,00	06/2001		--

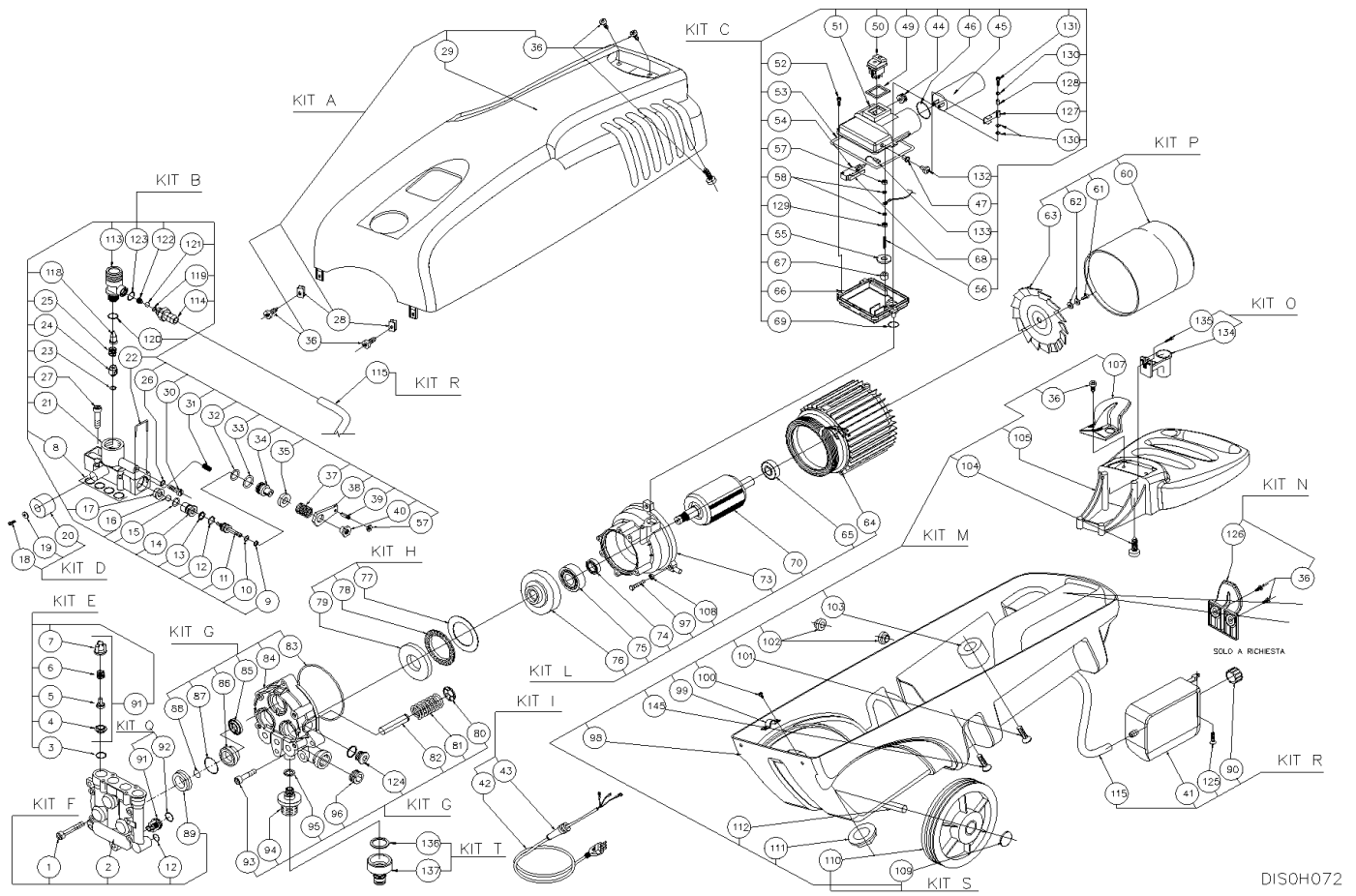


DISOH72

Ref.	K	Part N.	Customer Part N.	Description	Qty	Validity:		Price
						From	To	
0083	E	GUGO40199		O-RING D. 80.60 X 2.62 NBR 70SH	1,00	02/2001	--	--
0084	E	MFVR82010		CRANKCASE 12 CT H3 PPF1/4G S/SP	1,00	02/2001	--	--
0085	E	PVVR63545		OIL SEAL 12X 22X 4/6 -NBR70	3,00	02/2001	--	--
0086	E	PVVR83270		PACKING RETAIN.D. 12X 28 H13,7 S2	3,00		--	--
0087	E	GUGO19290		O-RING D. 23.52 X 1.78 NBR 70SH	3,00	08/2000	--	--
0088	E	GUGO19194		O-RING D. 11.11 X 1.78 NBR 70SH	3,00	08/2000	--	--
0089	E	PVVR63543		PACKING D. 12 X22 X5	3,00	08/2000	--	--
0090	E	MPVR40137		TANK CAP BOX	1,00	09/2001	--	--
0091	E	VVAM41610		VALVE UNIT F 140/150 IP	6,00	08/2000	--	--
0092	E	GUGO40192		O-RING D. 12 X 2 NBR 90SH	3,00	08/2000	--	--
0093	E	VTVT01116		SCREW TCEI 6X30 UNI5931	3,00	05/2001	--	--
0094	E	RCDS82408		CONNECTOR DERLIN H130 S2	1,00	08/2001	--	--
0095	E	VTRS04931		WASHER D.13X19X1.5	1,00	02/2001	--	--
0096	E	RCDS59684		CAP G 3/8 CON.	1,00	02/2001	--	--
0097	E	VTVT62956		SCREW TCEI M 6X22 AUT.F.	3,00	08/2000	--	--
0098	E	MPVR81510		FRAME H130 HOBBY S2	1,00		--	--
0099	E	MPVR60495		CLAMP HOBBY	1,00		--	--
0100	E	VTVT62978		SCREW TCB TC 4,8X16 ZC	2,00	03/1999	--	--
0101	E	VTVT63135		SCREW M 8X 30 TSPEI	1,00	01/1999	--	--
0102	E	MPVR40150		BUSHING D. 20X12.5	2,00		--	--
0103	E	MECF60282		RUBBER D. 30 L=20.5 70SH A.VB.	1,00	03/1998	--	--
0104	E	VTVT63114		SCREW TCB TC 5 X30 UNI 9707 BR	4,00	06/2001	--	--
0105	E	MPVR43711		HANDLE ONE-AF HBY PP	1,00		--	--
0107	E	MPVR80139		HOSE REEL H110	1,00		--	--
0108	E	VTRS67343		WASHER D. 6 X12 X1.2 CONTACT	3,00	08/2000	--	--
0109	E	MPVR60934		BLACK HUB CAP D.145 RES	2,00	06/2001	--	--
0110	E	RTRT60873		WHEEL D.145-D.10 SPEEDY	2,00	06/2001	--	--
0111	E	MEVR82513		LOCKNUT 3/4 NYL	1,00	09/2001	--	--
0112	E	LAFN81680		WHEELS AXLE H 120	1,00	06/2001	--	--
0113	E	MFVR81524		CONNECTOR MAND. C/ASP.DET. H120	1,00		--	--
0114	E	RCDS81553		CONNECTOR OT ASP.DETERG.- H110	1,00		--	--
0115	E	TBBP62469		L.P. HOSE D. 6- 9 L=1000 CROST.ECON	1,00	04/1999	--	--
0118	E	UGEI59742		NOZZLE D. 1.60 HOBBY 90	1,00		--	--
0119	E	GUGO01062		O-RING D. 3.69 X 1.78 NBR 70SH	1,00		--	--
0120	E	GUGO01047		O-RING D. 11.91 X 2.62 NBR 70SH	1,00		--	--
0121	E	SFVR40173		BALL D. 3/16" AISI 420	1,00		--	--
0122	E	MLML40172		SPRING D. 3.5	1,00		--	--
0123	E	GUGO06988		O-RING D. 7.66 X 1.78 NBR 70SH	1,00		--	--
0124	E	RCVR67288		OIL CAP 3/8+G TCNB-38	1,00	02/2001	--	--

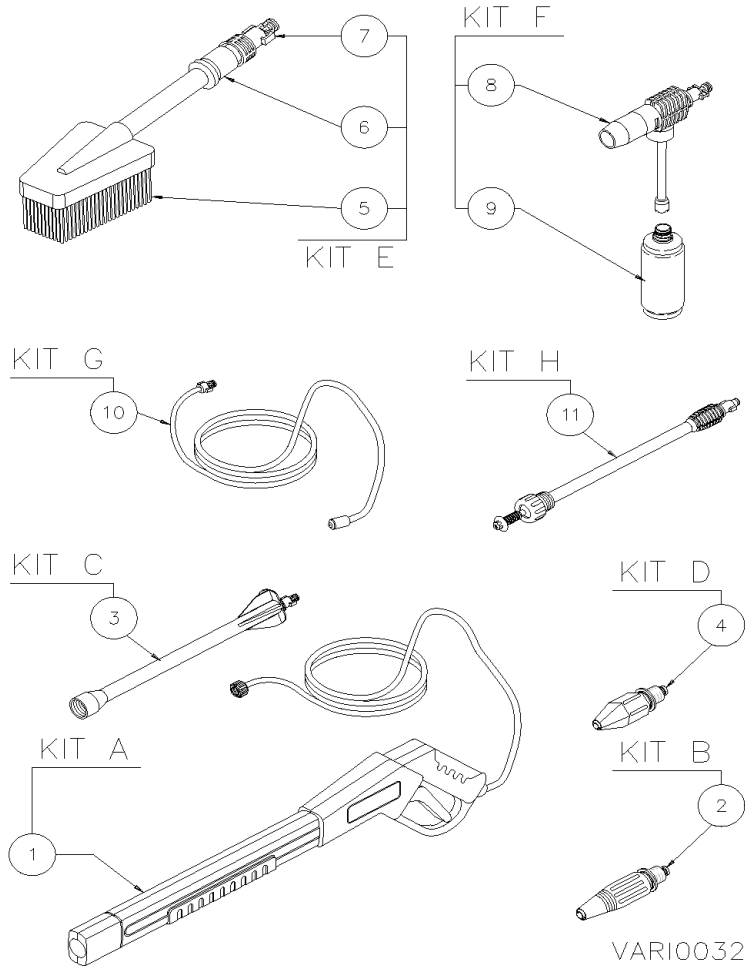


Ref.	K	Part N.	Customer Part N.	Description	Qty	Validity:		Price
						From	To	
0125	E	VTVT00525		SCREW TCB-TC 4.2X13 UNI6954	1,00	09/2001	--	--
0126	E	MPVR80139		HOSE REEL H110	1,00		--	--
0127	E	LAFN82461		TRIGGER MICRO TS	1,00	07/2001	--	--
0128	E	RCDS82462		BUSHING LEVA COMANDO MICRO	1,00	07/2001	--	--
0129	E	VTDD63175		NUT M 5 FL.	1,00	06/2001	--	--
0130	E	VTRS63230		WASHER D. 4 X12	3,00	07/2001	--	--
0131	E	VTVT63001		SCREW TRU TC CR. 4 X30 ZINC.	1,00	07/2001	--	--
0132	E	MPVR60607		GUDGEON MICRO 5X11,5 PL	1,00	07/2001	--	--
0133	E	MECB64203		CABLE ASS. INTERR./MICRO	1,00	08/2000	--	--
0136	E	RCVR62752		SOCKET 3433 BK.	1,00	09/2001	--	--
0137	E	GUVR63631		GASKET C/FILTRO 24X15X3,5	1,00	09/2001	--	--
0145	E	VTVT63133		SCREW TSEI M 8X25 BR UNI5933	1,00	09/2002	--	--

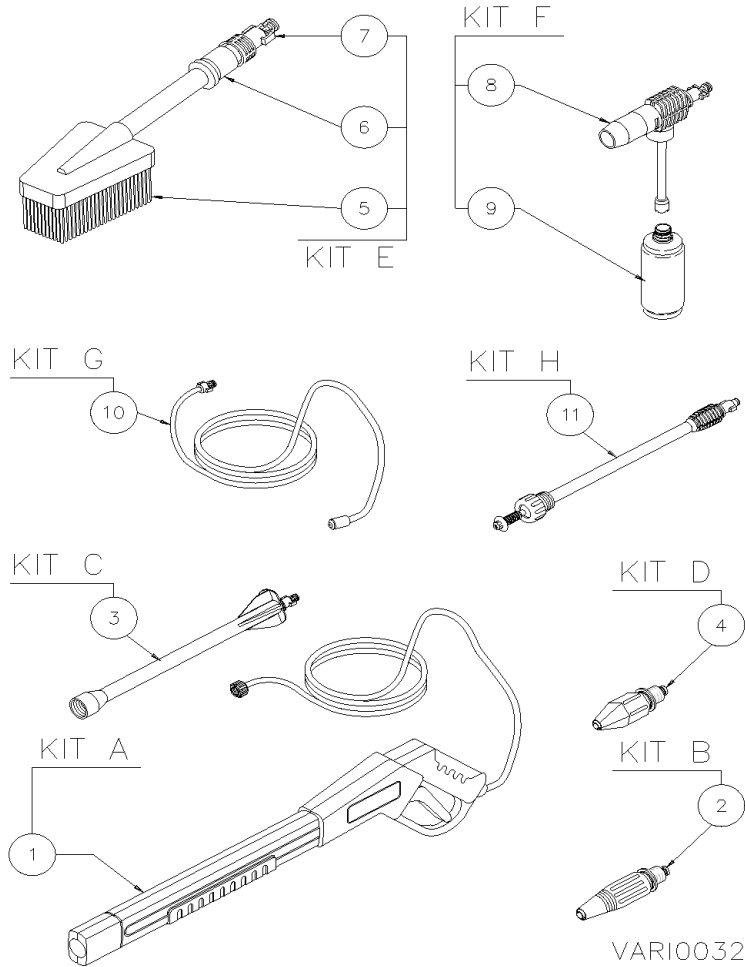


DISOH072

Ref. Part N.	Cust. Part N.	Description	Reference	Price
A	KTRI83764	RED COVER KIT 758 H130 PRT (5 PZ)	0028 0029 0036	--
B	KTRI82829	MANIFOLD KIT 568 (5 PZ)	0008 0009 0010 0011 0012 0013 0014 0015 0016 0017 0021 0022 0023 0024 0025 0026 0027 0030 0031 0032 0033 0034 0035 0037 0038 0039 0040 0057 0113 0114 0118 0119 0120 0121 0122 0123	--
C	KTRI82833	CONTROL BOARD KIT 572 AQK 1300 (2 PZ)	0044 0045 0046 0047 0049 0050 0051 0052 0053 0054 0055 0056 0057 0058 0066 0067 0068 0069 0127 0128 0129 0130 0131 0132 0133	--
D	KTRI82831	FOOT KIT 570 (5 PZ)	0018 0019 0020	--
E	KTRI82808	SMALL VALVE KIT 558 (30 PZ)	0003 0004 0005 0006 0007	--
F	KTRI82809	HEAD KIT 559 (5 PZ)	0001 0002 0012 0089	--
G	KTRI82832	CRANKCASE KIT 571 (5 PZ)	0080 0081 0082 0083 0084 0085 0086 0087 0088 0093 0094 0095 0096 0124	--
H	KTRI82812	ROLLER BEAR.DISKIT 562 (10 PZ)	0077 0078 0079	--
I	KTRI83607	CABLE KIT 699 AQK1300EU (1 PZ)	0042 0043	--
L	KTRI82836	MOTOR KIT 575 AQK1300 230(1 PZ)	0064 0065 0070 0073 0074 0075 0076 0097 0108	--
M	KTRI83762	FRAME KIT 756 H130 PRT (1 PZ)	0036 0098 0099 0100 0101 0102 0103 0104 0105 0107 0109 0110 0111 0112 0145	--
N	KTRI83212	CABLE SUPPORT KIT 620 H130 (10 PZ)	0036 0126	--
P	KTRI82834	CONVEYOR KIT 573 (1 PZ)	0060 0061 0062 0063	--
Q	KTRI83170	SMALL VALVE KIT 613 (30 PZ)	0091 0092	--
R	KTRI82806	DETERGENT TANK KIT 556 (1 PZ)	0041 0090 0115 0125	--
S	KTRI82912	WHEEL KIT 579 (2 PZ)	0109 0110	--
T	KTRI82810	QUICK SOCKET KIT 560 (20 PZ)	0136 0137	--



Ref.	K	Part N.	Customer Part N.	Description	Qty	Validity:		Price
						From	To	
	E	LCTE81744		ROTATING HEAD TURBO 1,20 TR206	1,00			--
0001	E	IPPR82660		GUN LG NEUTRA TES 7 MT	1,00	07/2001		--
0002	E	LCTE81921		HEAD T10 M.REG 1,20 TR206 inox	1,00	09/2001		--
0003	E	LCPR81279		EXTENSION X TESTINE TR206	1,00	03/2001		--



Ref. Part N.	Cust. Part N.	Description	Reference	Price
K A	KTRI83599	GUN KIT 693 LG TE 7M (1 PZ)	0001	--
K B	KTRI83582	HEAD KIT 686 M.REG 1,20 (10PZ)	0002	--
K C	KTRI83571	EXTENSION KIT 675 PIST. SW (10PZ)	0003	--