

*Cleaning  
Equipment*



**portotecnica**

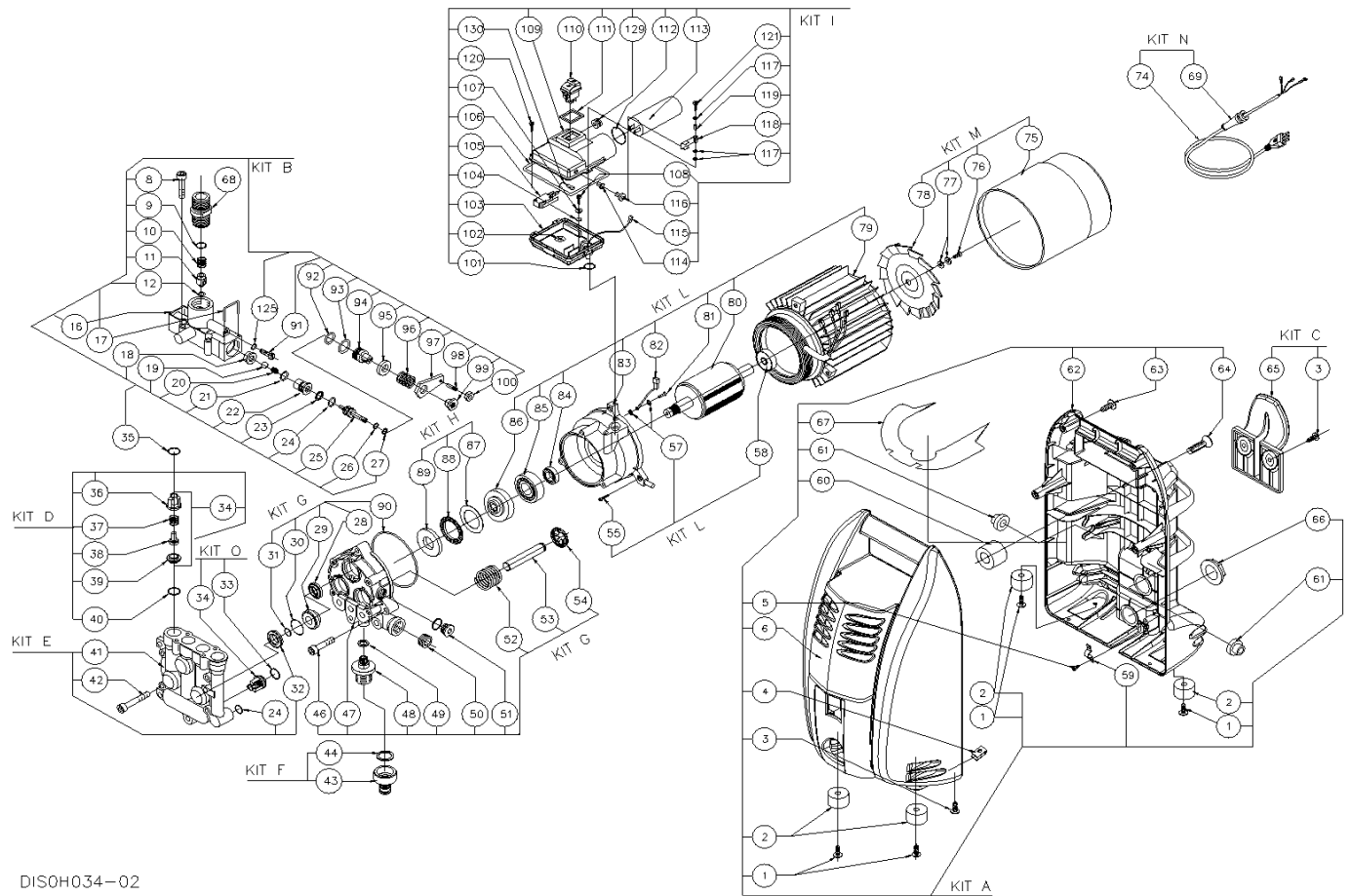
*www.portotecnica.com*

## **Spare Parts List**

**ENTUZIAST**

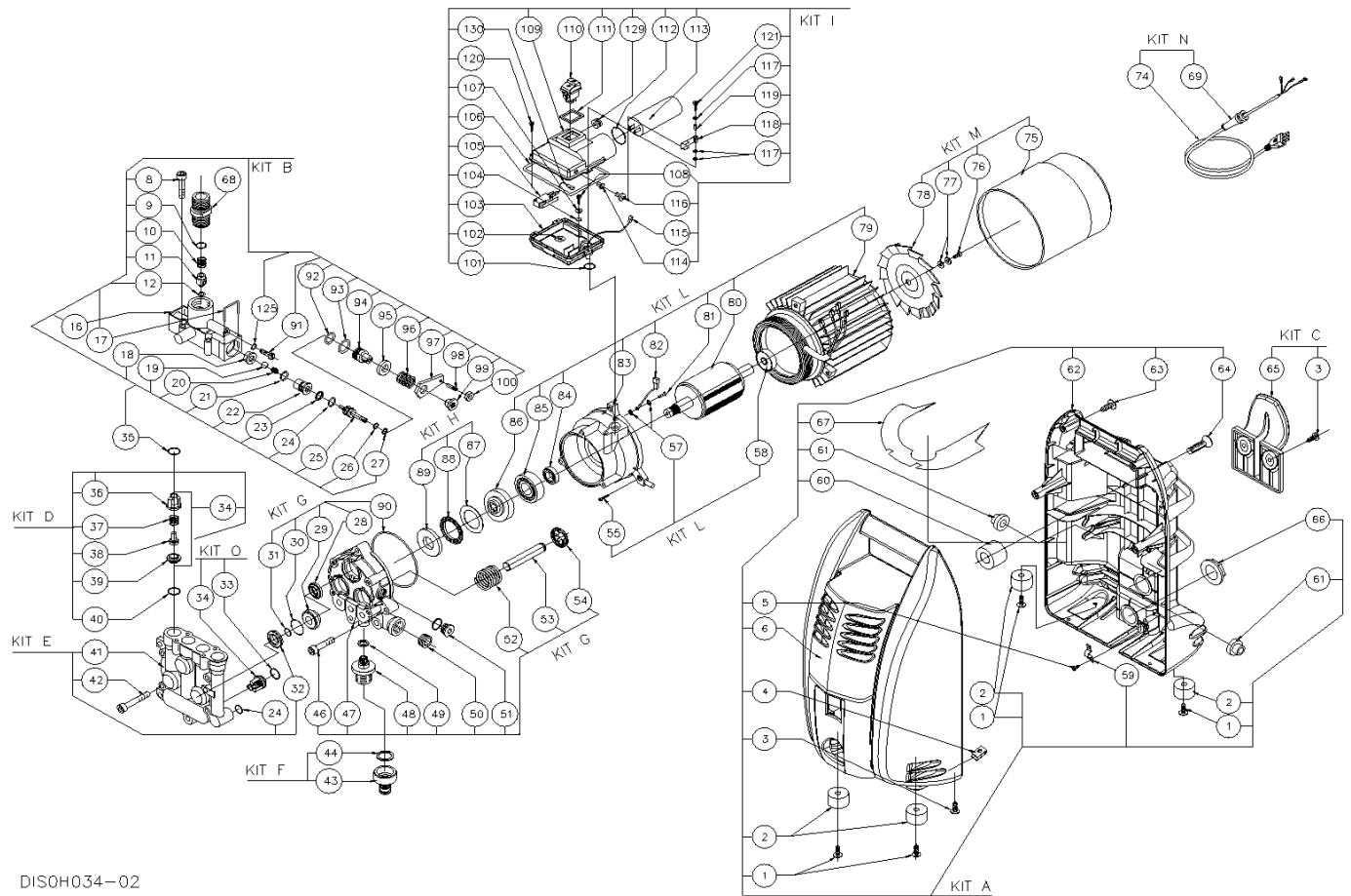
**Ref: IDAF47890**

**Model: IDROP ONE-AF DS 1606 M 230/50 3-01PRT**



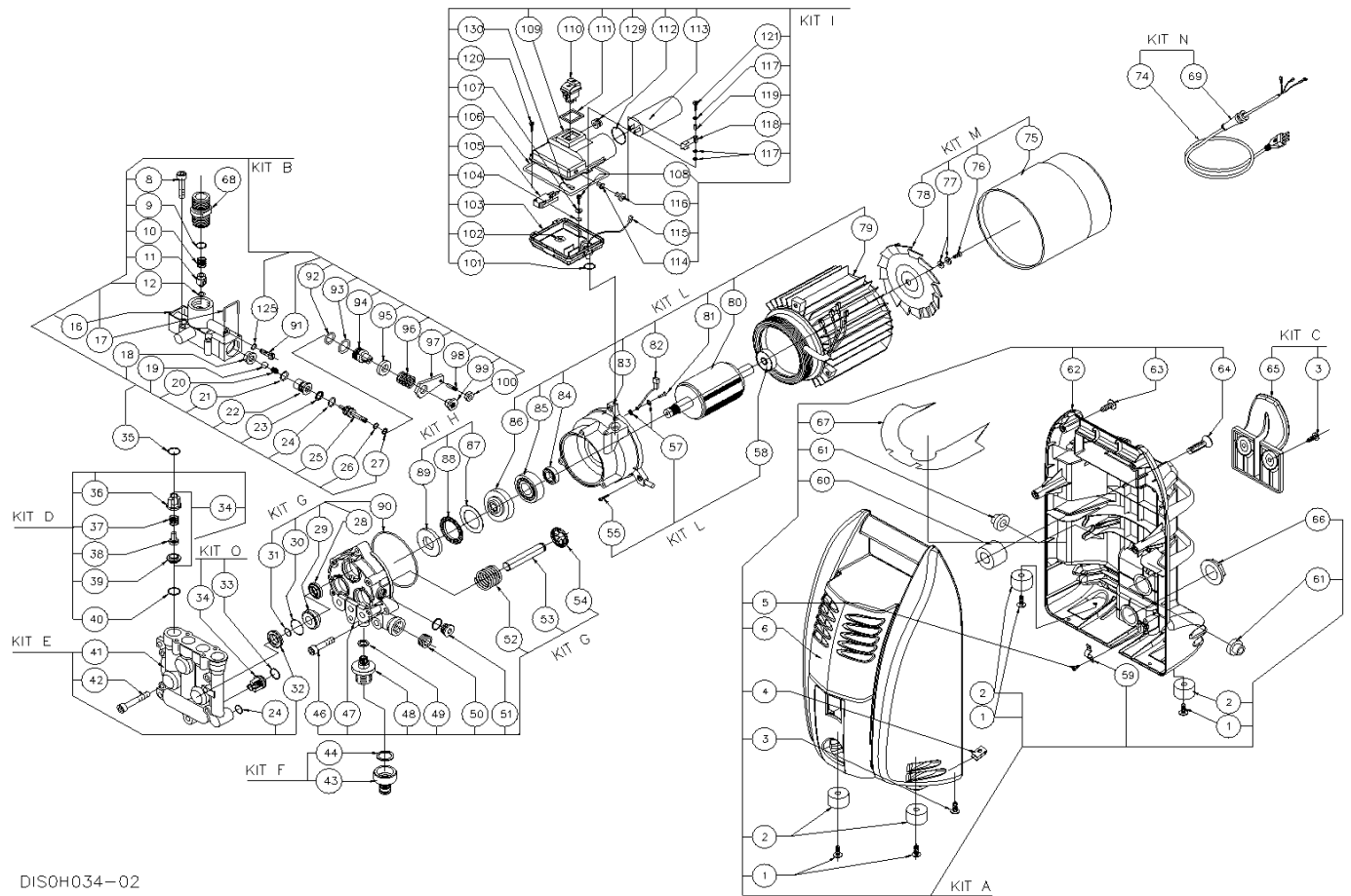
DIS0H034-02

Ref.	K	Part N.	Customer Part N.	Description	Qty	Validity:		Price
						From	To	
0001	E	VTVT80751		SCREW TCB-TC 5 X20	4,00	09/2001	--	--
0002	E	MPVR67153		FOOT H110	4,00	09/2001	--	--
0003	E	VTVT63113		SCREW TCB TC 4,8X22 C/R ZN/N	4,00	09/2001	--	--
0004	E	FSVR62796		PLATE F.MOR.PD	2,00		--	--
0005	E	VTVT62978		SCREW TCB TC 4,8X16 ZC	2,00		--	--
0006	E	MPVR80772		HOOD H110 RED S2	1,00	05/2000	--	--
0008	E	VTVT63026		SCREW TCEI M 5X30 UNI 5931 ZC	4,00	08/2000	--	--
0009	E	GUGO40193		O-RING D. 15 X 2 NBR 70SH	1,00		--	--
0010	E	MLML59254		SPRING D. 9.2 X10X0.8 AISI 302	1,00		--	--
0011	E	VVSF40182		VALVE H90 PLS	1,00		--	--
0012	E	GUGO40181		O-RING D. 5 X 2 NBR 90SH	1,00		--	--
0016	E	MFVR83837		MANIFOLD A.300 AL C/VITE	1,00		--	--
0017	E	LAFN82147		PLUG ARR.CART BY-PASS BUR S2	1,00		--	--
0018	E	PVVR40167		CAP B12	1,00		--	--
0019	E	SFVR53318		BALL D. 7 AISI 420	1,00		--	--
0020	E	MLML80000		SPRING D. 5.1 X19 X0.4 E/ST	1,00		--	--
0021	E	GUGO03496		O-RING D. 9.25 X 1.78 NBR 70SH	1,00		--	--
0022	E	PVVR81275		VALVE SEAT D. 5.6 B POL.	1,00		--	--
0023	E	GUVR63570		ANTI-EXTR.RING D. 9 X12 X1.5 OR108	1,00		--	--
0024	E	GUGO63403		O-RING D. 8.73 X 1.78 NBR 70SH	2,00		--	--
0025	E	PVVR59575		SMALL PISTON BY-PASS OT	1,00		--	--
0026	E	GUGO08071		O-RING D. 4.48 X 1.78 NBR 70SH	1,00		--	--
0027	E	GUVR63565		ANTI-EXTR.RING D. 8X5,2X1 OR 2018	1,00		--	--
0028	E	PVVR63545		OIL SEAL 12X 22X 4/6 -NBR70	3,00	08/2000	--	--
0029	E	PVVR83270		PACKING RETAIN.D. 12X 28 H13,7 S2	3,00	12/2001	--	--
0030	E	GUGO19290		O-RING D. 23.52 X 1.78 NBR 70SH	3,00	08/2000	--	--
0031	E	GUGO19194		O-RING D. 11.11 X 1.78 NBR 70SH	3,00	08/2000	--	--
0032	E	PVVR63543		PACKING D. 12 X22 X5	3,00	08/2000	--	--
0033	E	GUGO40192		O-RING D. 12 X 2 NBR 90SH	3,00	08/2000	--	--
0034	E	VVAM41610		VALVE UNIT F 140/150 IP	6,00	08/2000	--	--
0035	E	GUGO40193		O-RING D. 15 X 2 NBR 70SH	4,00	08/2000	--	--
0036	E	PVVR40188		VALVE GUIDE "TH"	6,00	08/2000	--	--
0037	E	MLML40189		SPRING D. 5.5 "TH"	6,00	08/2000	--	--
0038	E	PVVR40190		CAP A.700 INX	6,00	08/2000	--	--
0039	E	PVVR40191		VALVE SEAT "TH"	6,00	08/2000	--	--
0040	E	GUGO21841		O-RING D. 12.42 X 1.78 NBR 90SH	3,00	08/2000	--	--
0041	E	MFVR40203		PUMP HEAD HOBBY 90 AL.	1,00	08/2000	--	--
0042	E	VTVT63028		SCREW TCEI M 6X35	5,00	08/2000	--	--
0043	E	RCVR62752		SOCKET 3433 BK.	1,00	09/2001	--	--



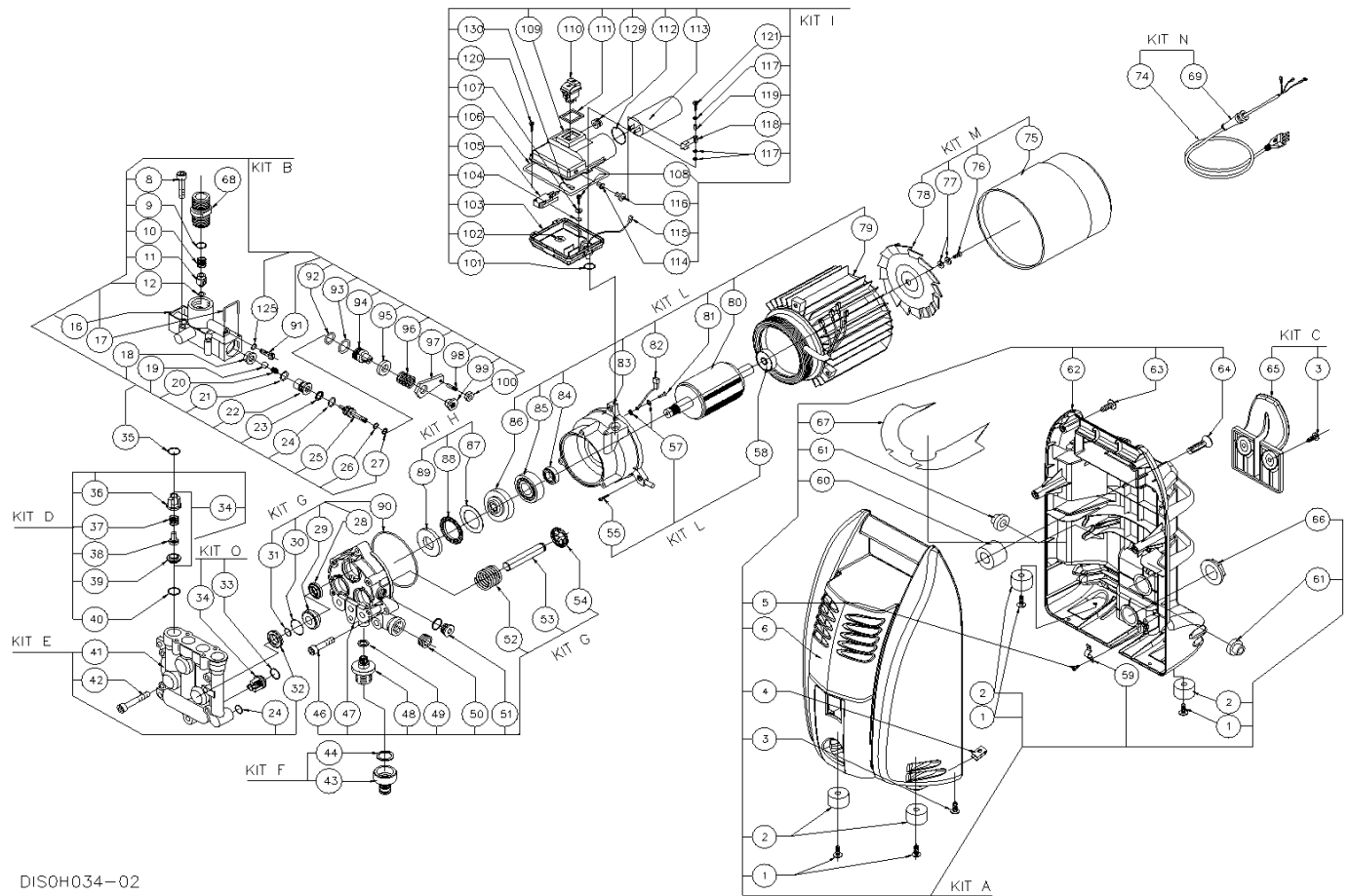
DIS0H034-02

Ref.	K	Part N.	Customer Part N.	Description	Qty	Validity:		Price
						From	To	
0044	E	GUVR63631		GASKET C/FILTRO 24X15X3,5	1,00	09/2001	--	--
0046	E	VTVT12255		SCREW TCEI 6X25 UNI5931	3,00	08/2000	--	--
0047	E	MFVR83373		CRANKCASE 12 CT H3 S/SP PPF IMP.	1,00	12/2001	--	--
0048	E	RCDS82408		CONNECTOR DERLIN H130 S2	1,00	07/2001	--	--
0049	E	VTRS04931		WASHER D.13X19X1.5	1,00	08/2000	--	--
0050	E	RCDS59684		CAP G 3/8 CON.	1,00	08/2000	--	--
0051	E	RCVR67288		OIL CAP 3/8+G TCNB-38	1,00	02/2001	--	--
0052	E	MLML59285		SPRING 5 SP	3,00	08/2000	--	--
0053	E	PIVR58598		PISTON D.12X62 SW	3,00	06/2001	--	--
0054	E	PVVR59101		RETAINER RING SW D.10,7/29,9	3,00	08/2000	--	--
0055	E	VTVT62956		SCREW TCEI M 6X22 AUT.F.	3,00	11/2001	--	--
0057	E	VTRS63310		WASHER D. 4	2,00	08/2000	--	--
0058	E	CUVR09366		BALL BEARING 6001-2Z	1,00	08/2000	--	--
0059	E	MPVR60495		CLAMP HOBBY	1,00	--	--	--
0060	E	MECF60282		RUBBER D. 30 L=20.5 70SH A.VB.	1,00	--	--	--
0061	E	MPVR40150		BUSHING D. 20X12.5	2,00	--	--	--
0062	E	MPVR80773		FRAME H110 RED S2	1,00	05/2000	--	--
0063	E	VTVT67350		SCREW TCB TC 5X20 Z.N. UNI9707	4,00	--	--	--
0064	E	VTVT80714		SCREW M 8X 35 TSPEI UNI5933	1,00	02/2000	--	--
0065	E	MPVR80139		HOSE REEL H110	1,00	09/2001	--	--
0066	E	MEVR82513		LOCKNUT 3/4 NYL	1,00	09/2001	--	--
0067	E	MPVR80133		SEPARATOR SP. 2.5 H110	1,00	12/1999	--	--
0068	E	MFVR58336		NIPPLE A.300 AL	1,00	--	--	--
0069	E	MPVR60522		FAIR-LEAD H97 S2	1,00	08/2000	--	--
0074	E	MECB81331		CABLE HO5RN-F 3X1 M5,5	1,00	11/2000	--	--
0075	E	MPVR77796		CONVEYOR H110	1,00	08/2000	--	--
0076	E	VTVT63023		SCREW TCEI M 5X12 ZC	1,00	08/2000	--	--
0077	E	VTRS63276		WASHER D. 5 UNI 8836 EL.	2,00	08/2000	--	--
0078	E	VEVR67531		MOTOR FAN AL H110	1,00	08/2000	--	--
0079	E	MOST67136		EL.MOT. STATOR 110X55 H90 230/50 H110	1,00	08/2000	--	--
0080	E	MORT50617		EL.MOT. ROTOR CPL 55X17 H90 P01	1,00	08/2000	--	--
0081	E	VTVT67356		SCREW M 4X 12 TCB TC TRIL.	1,00	08/2000	--	--
0082	E	MECB80079		CABLE 1X1.5 SG L=27	1,00	08/2000	--	--
0083	E	MFVR82558		SHIELD AQUA 300 S3	1,00	06/2001	--	--
0084	E	PVVR63536		PACKING D. 15X24X5	1,00	08/2000	--	--
0085	E	CUVR53302		BALL BEARING 6302 -15X42X13 ZKL	1,00	08/2000	--	--
0086	E	PVVR40154		CAP H.90 9°	1,00	08/2000	--	--
0087	E	CUVR40153		FLANGE D. 40X60-1 AS4060	1,00	08/2000	--	--
0088	E	CUVR40152		ROLLER BEARING AXK 4060	1,00	08/2000	--	--



DIS0H034-02

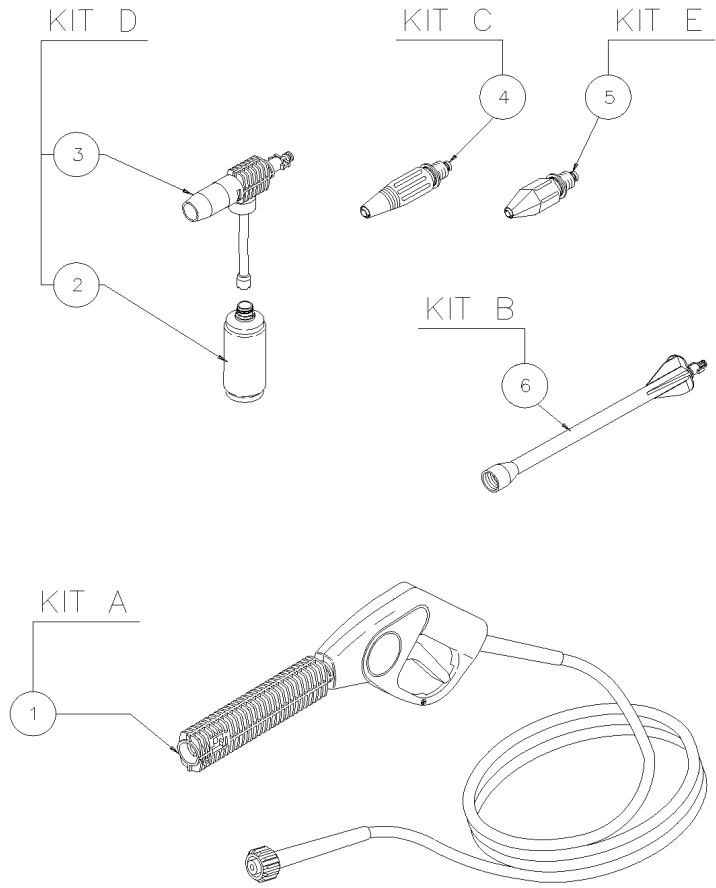
Ref.	K	Part N.	Customer Part N.	Description	Qty	Validity:		Price
						From	To	
0089	E	CUVR40151		FLANGE D.60 H.90	1,00	08/2000		--
0090	E	GUGO40199		O-RING D. 80.60 X 2.62 NBR 70SH	1,00	08/2000		--
0091	E	RCDS83749		SCREW CHIUSURA BY PASS M6	1,00	04/2002		--
0091	E	VTVT63071		SCREW M 6X 8 ST-EI UNI 7707	1,00		04/2002	--
0092	E	GUGO11652		O-RING D. 12.42 X 1.78 NBR 70SH	1,00			--
0093	E	GUGO09720		O-RING D. 14 X 1.78 NBR 70SH	1,00			--
0094	E	MPVR60387		VALVE BODY BY-PASS H94 PL	1,00			--
0095	E	LAFN40163		SPACER B.PASS 12	1,00			--
0096	E	MLML80017		SPRING D. 16.7 X25 130B.	1,00			--
0097	E	LAFN58937		BLADE H100	1,00			--
0098	E	VTVT63055		SCREW M 5X 16 EI-ST UNI 5923	1,00	08/2000		--
0099	E	VTDD40171		NUT E.START	1,00			--
0100	E	VTDD01678		NUT M 5 UNI 5588	1,00	08/2000		--
0101	E	GUGO63500		O-RING D. 19 X 2 NBR 70SH	1,00	08/2000		--
0102	E	ETET66403		LABEL	1,00	08/2000		--
0103	E	MPVR80136		CONTROL BOX H110	1,00	08/2000		--
0104	E	GUGO10464		O-RING D. 5.28 X 1.78 NBR 70SH	1,00	08/2000		--
0105	E	MECI80639		MICROSWITCH 20A F.S/L	1,00	08/2000		--
0106	E	GUVR82555		JOINT D. 4	0,40	09/2001		--
0107	E	VTRS15958		WASHER D. 5 X15 UNI 6593	1,00	08/2000		--
0108	E	VTVT62947		SCREW M 5X 20 TCCR AMT	1,00	08/2000		--
0109	E	MPVR80135		BOX COVER H110	1,00	08/2000		--
0110	E	MECI61586		SWITCH SLX 16A O-I A44	1,00	08/2000		--
0111	E	GUGO40147		GASKET SLX FP	1,00	08/2000	06/2003	--
0112	E	GUGO25526		O-RING D. 37.82 X 1.78 NBR 70SH	1,00	08/2000		--
0113	E	MECO61702		CAPACITOR 20MF 450V D.45X68 2FST	1,00	08/2000		--
0114	E	MPVR41620		PROTECTOR S.T-STOP FP	1,00	08/2000		--
0115	E	MEVR61916		FASTON COVER F 6,3 UL	7,00	08/2000		--
0116	E	MPVR60607		GUDGEON MICRO 5X11,5 PL	1,00	07/2001		--
0117	E	VTRS63230		WASHER D. 4 X12	3,00	07/2001		--
0118	E	LAFN82461		TRIGGER MICRO TS	1,00	07/2001		--
0119	E	RCDS82462		BUSHING LEVA COMANDO MICRO	1,00	07/2001		--
0120	E	VTVT01516		SCREW TCB TC 3.9X16	2,00	07/2001		--
0121	E	VTVT63001		SCREW TRU TC CR. 4 X30 ZINC.	1,00	07/2001		--
0125	E	GUGO01062		O-RING D. 3.69 X 1.78 NBR 70SH	1,00			--
0129	E	MEVR77797		FAIR-LEAD DK7/14/18-3	1,00	08/2000		--
0130	E	MECB64203		CABLE ASS. INTERR./MICRO	1,00	08/2000		--



DIS0H034-02

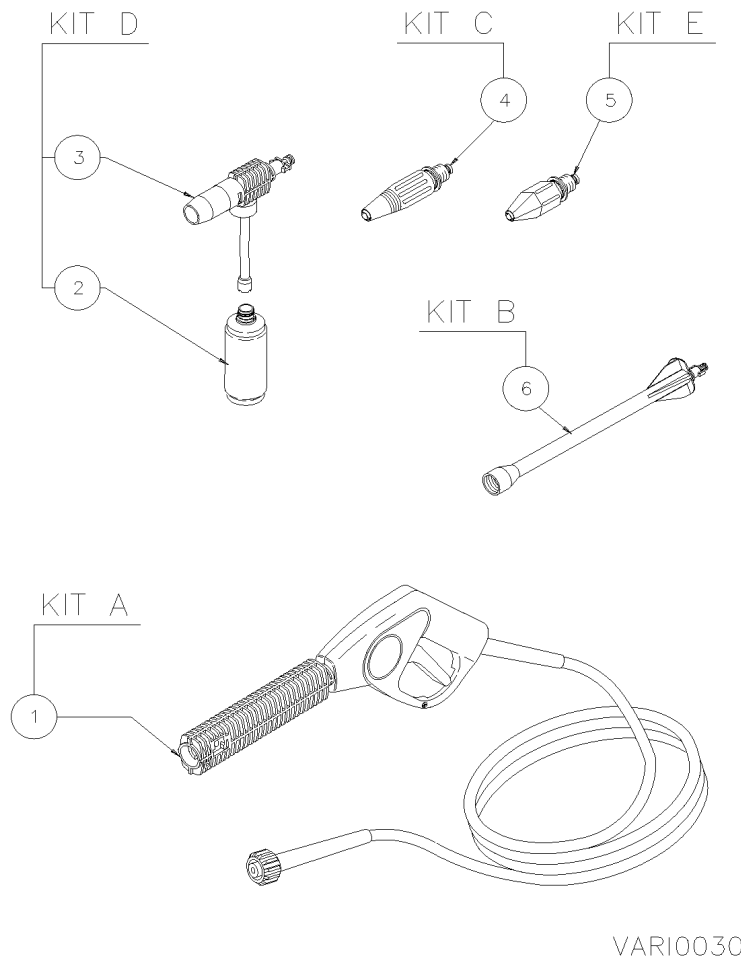
KIT A

Ref. Part N.	Cust. Part N.	Description	Reference	Price
K A	KTRI83606	COVER KIT 698 H110 ROSSA (2 PZ)	0001 0002 0003 0004 0005 0006 0060 0061 0062 0063 0064 0065 0066 0067	--
K B	KTRI83605	MANIFOLD KIT 697 (5 PZ)	0008 0009 0010 0011 0012 0016 0017 0018 0019 0020 0021 0022 0023 0024 0025 0026 0027 0035 0068 0091 0092 0093 0094 0095 0096 0097 0098 0099 0100 0125	--
K C	KTRI83212	CABLE SUPPORT KIT 620 H130 (10 PZ)	0003 0065	--
K D	KTRI82808	SMALL VALVE KIT 558 (30 PZ)	0034 0036 0037 0038 0039 0040	--
K E	KTRI82809	HEAD KIT 559 (5 PZ)	0024 0032 0041 0042	--
K F	KTRI82810	QUICK SOCKET KIT 560 (20 PZ)	0043 0044	--
K G	KTRI82811	CRANKCASE KIT 561 (5 PZ)	0028 0029 0030 0031 0046 0047 0048 0049 0050 0051 0052 0053 0054 0090	--
K H	KTRI82812	ROLLER BEAR.DISKIT 562 (10 PZ)	0087 0088 0089	--
K I	KTRI82813	CONTROL BOARD KIT 563 (2 PZ)	0101 0102 0103 0104 0105 0106 0107 0108 0109 0110 0111 0112 0113 0114 0115 0116 0117 0118 0119 0120 0121 0129 0130	--
K L	KTRI82814	MOTOR KIT 564 (1 PZ)	0055 0057 0058 0079 0080 0081 0082 0083 0084 0085 0086	--
K M	KTRI82816	CONVEYOR KIT 566 (1 PZ)	0075 0076 0077 0078	--
K N	KTRI83607	CABLE KIT 699 AQK1300EU (1 PZ)	0069 0074	--
K O	KTRI83170	SMALL VALVE KIT 613 (30 PZ)	0033 0034	--



VARI0030

Ref.	K	Part N.	Customer Part N.	Description	Qty	Validity:		Price
						From	To	
0001	E	IPPR81879		GUN SW TES. 6MT V00 GL+1 PROL	1,00			--
0002	E	MPVR60992		TANK 0,4 LT S/TPP	1,00			--
0003	E	LCPR52259		FOAM DEVICE SWING 96	1,00			--
0004	E	LCTE81717		HEAD T10F COMBI 1,10 TR206	1,00			--
0006	E	LCPR81279		EXTENSION X TESTINE TR206	1,00			--



VARI0030

Ref.	Part N.	Cust. Part N.	Description	Reference	Price
K B	KTRI83571		EXTENSION KIT 675 PIST. SW (10PZ)	0006	--
K C	KTRI83604		HEAD KIT 696 COMBI 1,10 (10PZ)	0004	--
K D	KTRI83573		FOAM DEVICE KIT 677 SW 96 (10PZ)	0002 0003	--