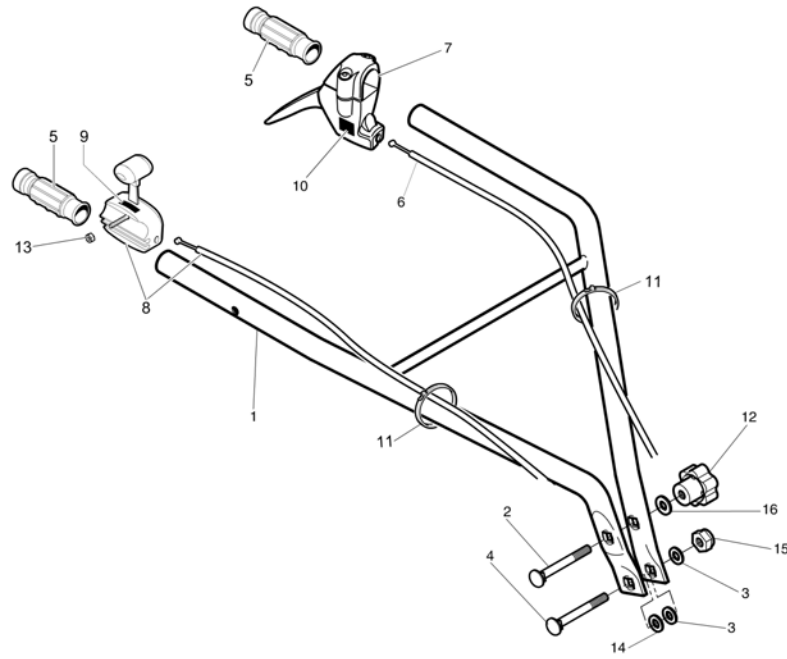


MZ 2060 (EN709) Rotary tiller - Handle-bar fixed and control box

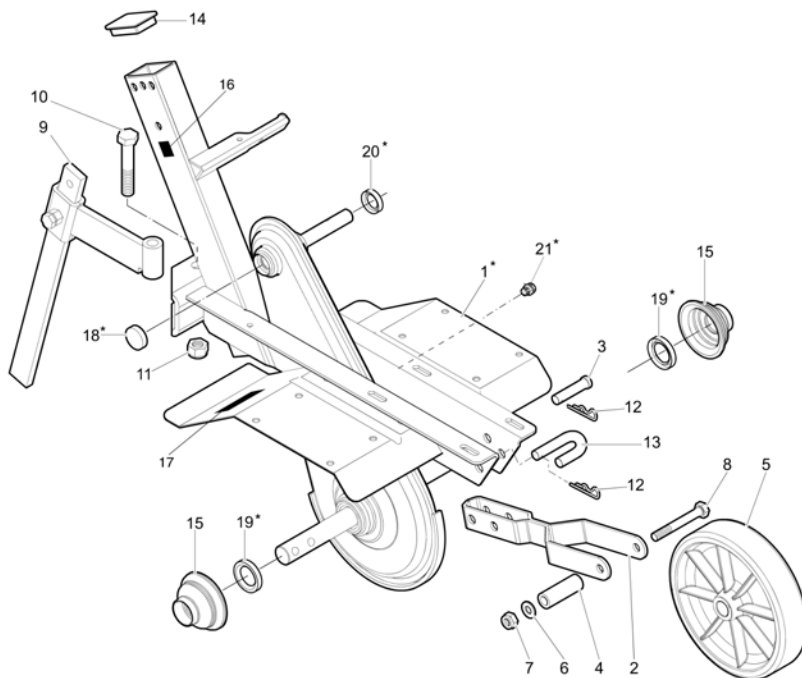


MZ 2060 (EN709) Rotary tiller - Handle-bar fixed and control box



Ref.Nu	Qty	Part number	Description	Validity from	Validity till	Notes	Bulletin
1	1	YF1231707	Handle				
2	1	YN6363450	Screw				
3	2	YN4387700	Washer				
4	1	YN6404000	Screw				
5	2	68320126	Knob	01/2011		(EN 709)	BT9-005-04/12
6	1	YF1231709	Transmission			Avanzamento; Forward	
7	1	68690028R	Lever (Single) START	01/2011		Con blocco di sicurezza; with safety block (EN 709)	BT9-005-04/12
8	1	YF1231708	Throttle			GC 135; GC 160; B&S DOV800; B&S INTEK OHV 6.5 Extra UE	
8	1	YF1231715	Throttle			GX 160 UE; GX 160 Extra UE; Emak K800H	
9	1	N5380100	Mark (Accelerator)			Su richiesta; Upon request	
10	1	YN5380670	Trv.direct.decal			Su richiesta; Upon request	
11	2	YN1764000	Band				
12	1	YN3755430	Knob				
13	1	3914006R	Nut				
14	1	YN4406510	Washer				
15	1	YN1470200	Nut				
16	1	3916010R	Washer				

MZ 2060 (EN709) Rotary tiller - Frame (Handle-bar fixed)

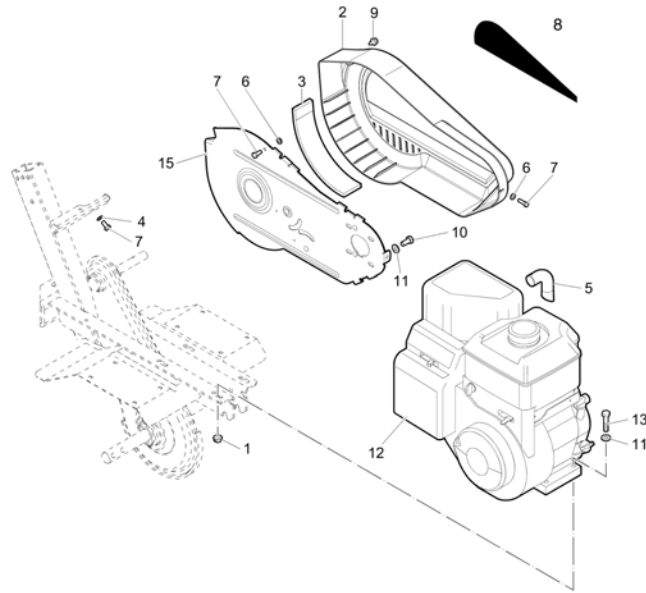


MZ 2060 (EN709) Rotary tiller - Frame (Handle-bar fixed)



Ref.Nu	Qty	Part number	Description	Validity from	Validity till	Notes	Bulletin
1	1	68692008	Chassis (Protection + Cap)				
2	1	68690011	Support (wheel)				
3	1	YF1231625	Pin				
4	1	F1231669	Spacer				
5	1	N4841200	Wheel				
6	1	YN4380600	Washer				
7	1	3914014R	Nut				
8	1	YN6358200	Screw				
9	1	68690010	Drag bar				
10	1	YN6433110	Screw				
11	1	YN1476760	Nut				
12	2	YN5135700	Cotter pin				
13	1	YF1231624	U-bolt				
14	1	YF1232115	Cover				
15	1	YF1233106	Guard				
16	1	N5388666	Mark CE			Su richiesta; Upon request	
17	1	YF1233111	Plate			Su richiesta; Upon request	
18	1	YN5269990	Cap				
19	1	YN0209500	Ring				
20	2	YN0205400	Ring				
21	1	YN5254000	Oil cap				

MZ 2060 (EN709) Rotary tiller - Hoods

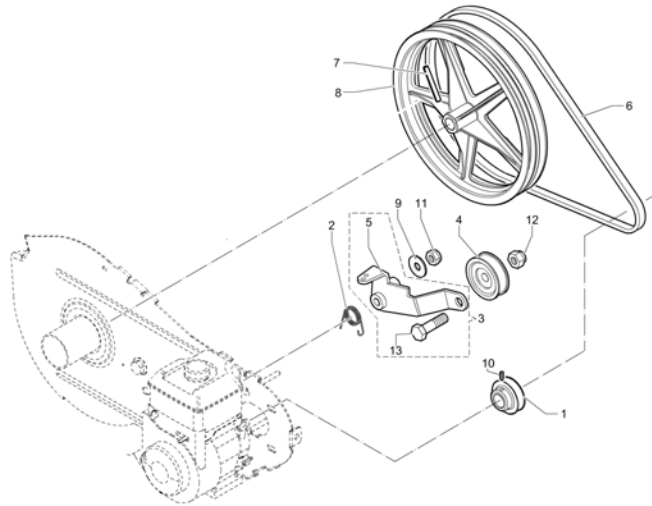


MZ 2060 (EN709) Rotary tiller - Hoods



Ref.Nu	Qty	Part number	Description	Validity from	Validity till	Notes	Bulletin
1	2	YN1457570	Nut				
2	1	68620010B	Hood red				
3	1	F1232205	Rubber profile		01/2010		
4	1	YN4361900	Washer				
5	1	F1230002	Grip-end			GX 160 UE; GX 160 Extra UE; Emak K800H; GC 135	
6	1	YN4361900	Washer				
7	1	301000042	Screw				
8	1	-	Not available for this product				
9	1	N3752100	Ring nut				
10	1	YN6243940	Screw			GC 160; GX 160 UE; GX 160 Extra UE; B&S DOV800; B&S INTEK OHV 6.5 Extra UE; GC 135	
11	1	3916008R	Washer				
12		-	Not available for this product				
13	1	YN6278500	Screw				
15	1	F1232126	Plate				

MZ 2060 (EN709) Rotary tiller - Set of pinions

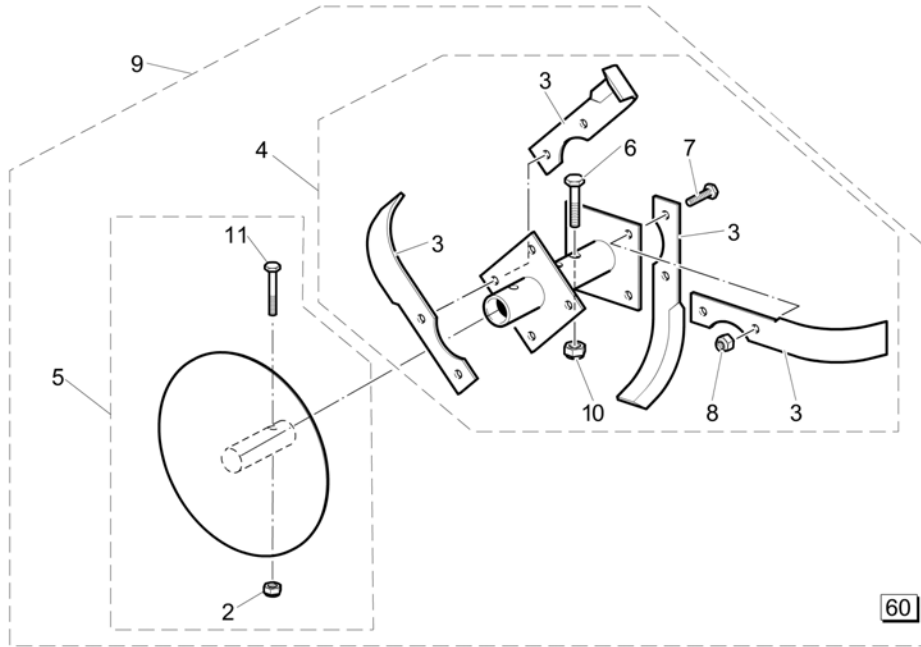


MZ 2060 (EN709) Rotary tiller - Set of pinions



Ref.Nu	Qty	Part number	Description	Validity from	Validity till	Notes	Bulletin
1	1	YF1231607	Pulley				
2	1	YF1231613	Spring				
3	1	68692005	Lever group				BT9-003-11/10
4	1	YF1231615	Bearing				
5	1	68690030	Jockey roll leve				BT9-003-11/10
6	1	YF1231609	Belt				
7	1	YN5129400	Pin				
8	1	YF1231642	Pulley				
9	1	YN4382550	Washer				
10	1	YN6195100	Screw				
11	1	3914014R	Nut				
12	1	YN1470200	Nut				
13	1	N6370300	Screw				BT9-003-11/10

MZ 2060 (EN709) Rotary tiller - Tiller



MZ 2060 (EN709) Rotary tiller - Tiller



Ref.Nu	Qty	Part number	Description	Validity from	Validity till	Notes	Bulletin
2	1	3914010R	Nut				
3	1	R0000143	Cutters kit			KIT: F1233102, DX, 10pz + F1233103, SX, 10pz; F1233102, RIGHT, 10pcs + F1233103, LEFT, 10pcs	
4	1	YF1233107	Tiller			DX; RIGHT	
4	1	YF1233108	Tiller			SX; LEFT	
5	1	68620046R	Disk cpl.				
6	2	YN6342900	Screw				
7	8	3806065	Screw				
8	8	YN1458020	Nut				
9	1	68622001	Rotor (complete)			Kit 60 cm composto da: F1233125, DX + F1233126, SX; 60 cm Set composed by: F1233125, RIGHT + F1233126, LEFT;	
10	2	3914014R	Nut				
11	1	3806076	Screw				