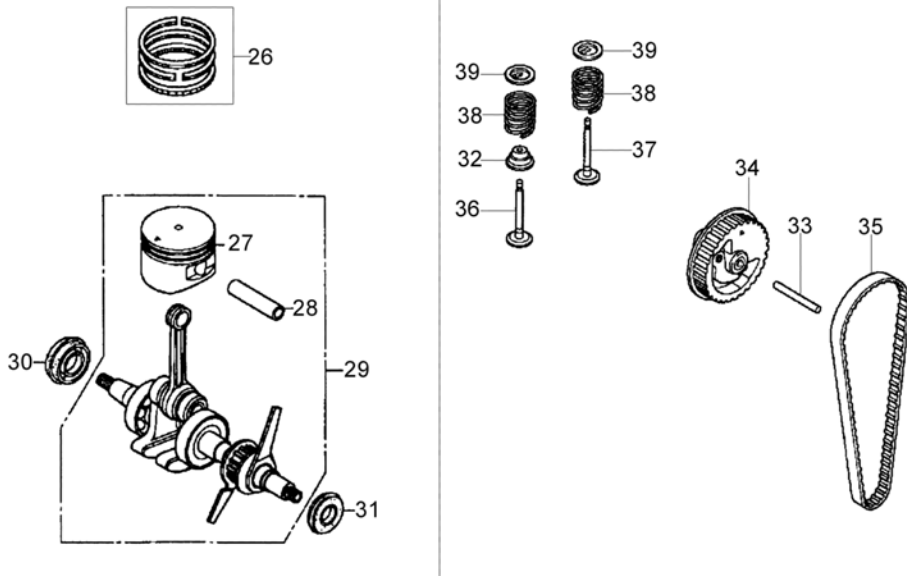
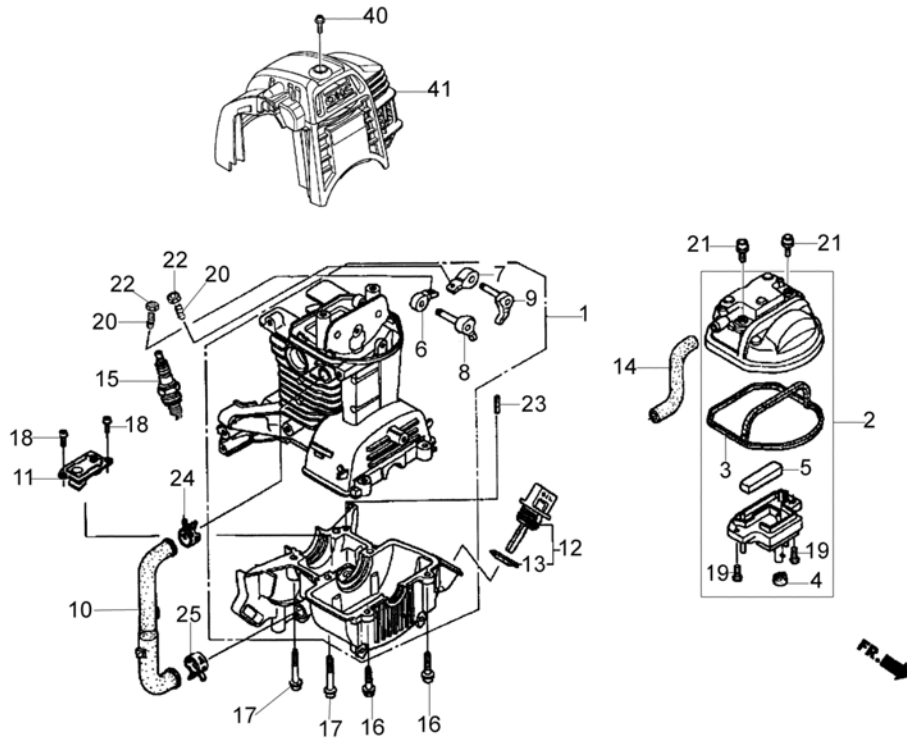


# MZ 2030 Rotary tiller - Engine

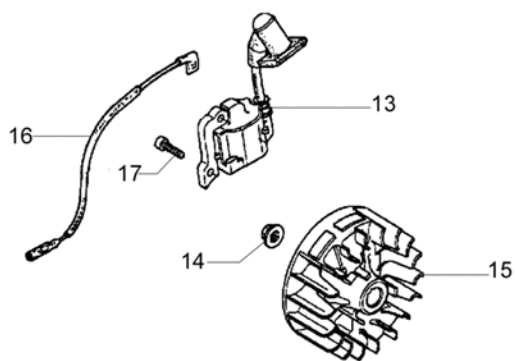
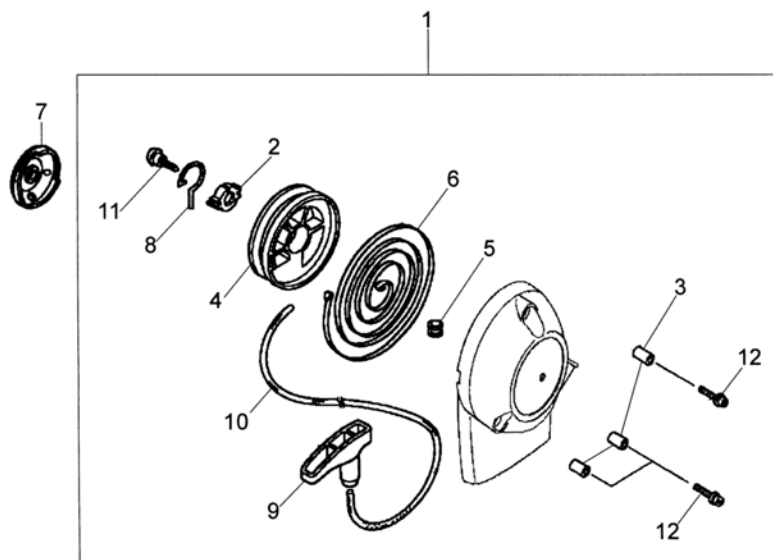


## MZ 2030 Rotary tiller - Engine



Ref.Nu	Qty	Part number	Description	Validity from	Validity till	Notes	Bulletin
1	1	H10100Z3E405	Crankcase assy				
2	1	H12310Z0H010	Cover				
3	1	H12312Z0H300	Gasket				
4	1	H12314Z0H300	Bushing				
5	1	H12367Z0H000	Breather valve				
6	1	H14431Z0H003	Arm				
7	1	H14441Z0H003	Arm				
8	1	H14730Z0H000	Lifter				
9	1	H14740Z0H000	Lifter				
10	1	H15422Z0H000	Oil line				
11	1	H15510Z3E000	Valve				
12	1	H15600Z0T800	Cap				
13	1	H15625Z0T800	Gasket				
14	1	H15721Z0H820	Hose				
15	1	H31915Z0H003	Spark plug				
16	2	H90009Z0H003	Bolt				
17	1	H90010Z0H003	Screw				
18	2	H90013Z3E003	Screw				
19	2	H90017Z0H000	Screw				
20	2	H90013Z0Z003	Screw				
21	2	H90019Z0H003	Screw				
22	2	H90206ZM3000	Bolt				
23	1	H9430540102	Elastic pin				
24	1	H950024120008	Clamp				
25	1	H950024130004	Clamp				
26	1	H13010Z0H000	Piston rings				
27	1	H13101Z0H000	Piston				
28	1	H13111Z0H000	Piston pin				
29	1	H13310Z0H020	Crankshaft				
30	1	H91211Z3E003	Seal ring				
31	1	H91212Z3E003	Seal ring				
32	1	H12209Z3E003	Seal ring				
33	1	H14126Z0H003	Roller				
34	1	H14320Z0H010	Pulley				
35	1	H14400Z3F003	Belt				
36	1	H14711Z0H800	Valve				
37	1	H14721Z0H800	Valve				
38	1	H14751Z0H000	Spring				
39	1	H14771Z0H000	Clamp				
40	1	H90015Z0H003	Screw				
41	1	H19720Z0H810ZD	Cover				

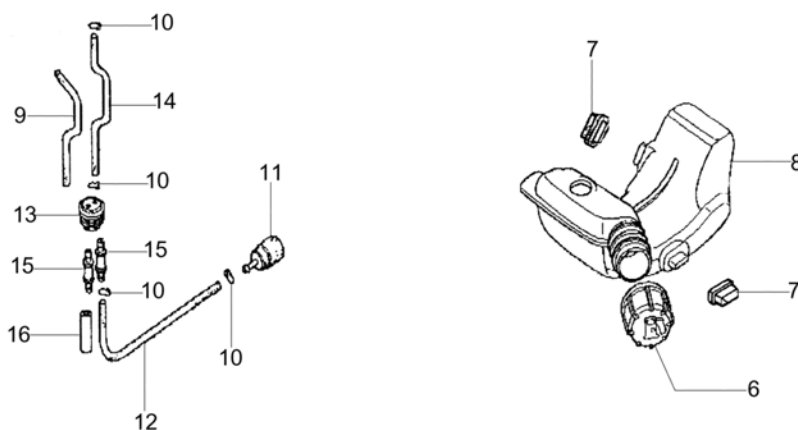
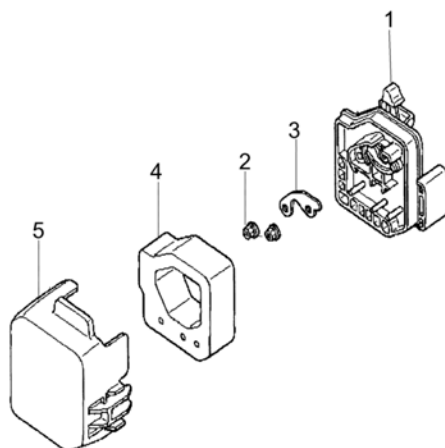
# MZ 2030 Rotary tiller - Starter assy



**MZ 2030 Rotary tiller - Starter assy**

Ref.Nu	Qty	Part number	Description	Validity from	Validity till	Notes	Bulletin
1	1	H28400Z0H801	Starter assy				
2	1	H91504ZM3003	Clamp				
3	3	H91506ZM3000	Bushing				
4	1	H28421Z0H003	Pulley				
5	1	H28433ZM3003	Bushing				
6	1	H28442Z0H003	Spring				
7	1	H28451Z0H003	Pulley				
8	1	H28459Z0H003	Clip				
9	1	H28461ZM3003	Handle				
10	1	H28462ZM3003	Rope				
11	1	H90012ZM3003	Screw				
12	3	H90018Z0H003	Screw				
13	1	H30500Z0H801	Ignition coil				
14	1	H9405008000	Nut				
15	1	H31110Z0H821	Flywheel				
16	1	H32195Z0H810	Cable				
17	1	H90012Z3E003	Screw				

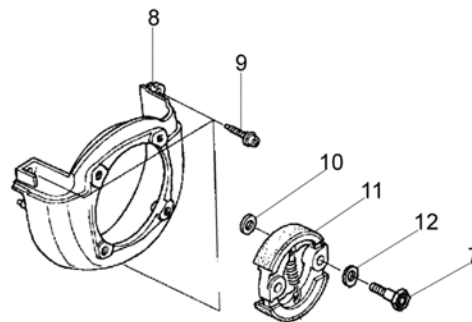
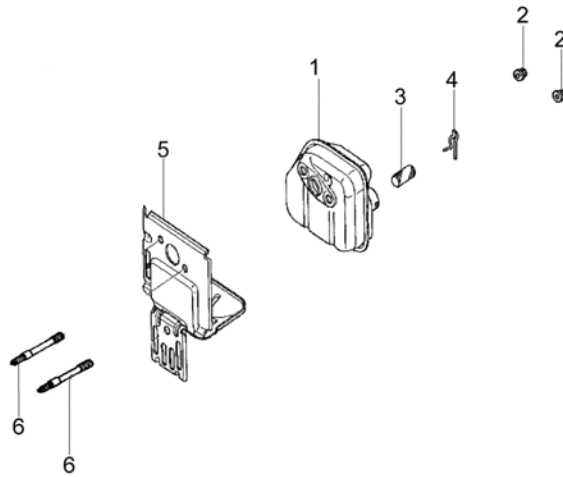
# MZ 2030 Rotary tiller - Fuel tank and air filter



**MZ 2030 Rotary tiller - Fuel tank and air filter**

Ref.Nu	Qty	Part number	Description	Validity from	Validity till	Notes	Bulletin
1	1	H17220Z0H810	Support				
2	2	H9405005000	Nut				
3	1	H17204Z0H800	Plate				
4	1	H17211Z0H800	Air filter				
5	1	H17231Z0H810	Air filter cover				
6	1	H17620ZM3053	Tank cap				
7	1	H17533Z0H000	Grommet				
8	1	H17511Z0H823	Tank				
9	1	H17702Z0H821	Hose				
10	2	H91401ZM3003	Hose clamp				
11	1	H17672Z0H003	Fuel filter				
12	1	H17701Z0H821	Hose				
13	1	H17504ZM3003	Bush				
14	1	H17703Z0H821	Hose				
15	2	H17519ZM5003	Fitting				
16	1	H16865Z6J000	Sheath				

# MZ 2030 Rotary tiller - Muffler and clutch

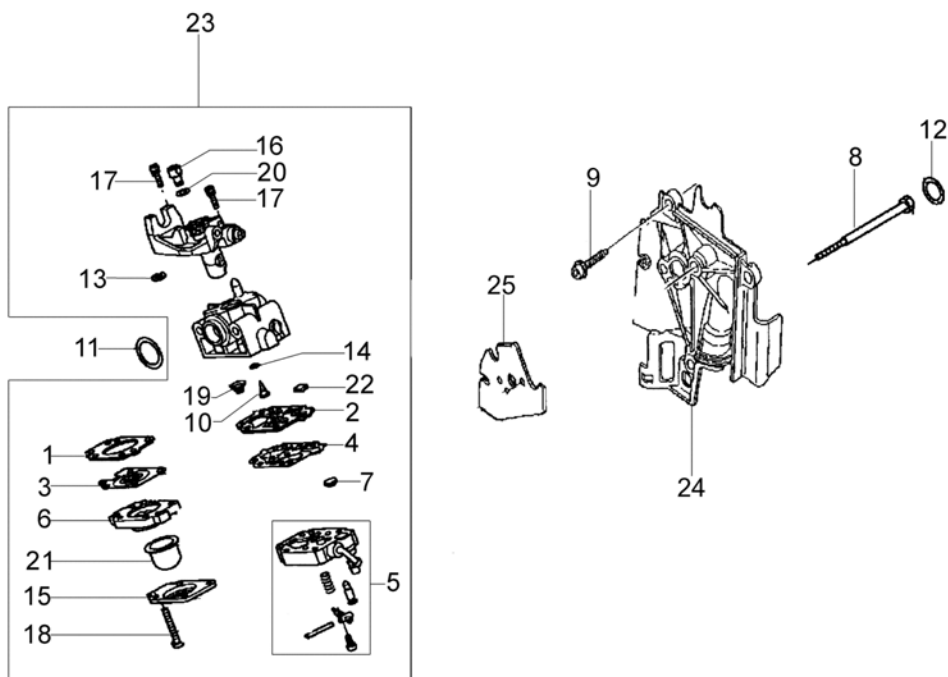


**MZ 2030 Rotary tiller - Muffler and clutch**

Ref.Nu	Qty	Part number	Description	Validity from	Validity till	Notes	Bulletin
1	1	H18310Z0H850	Muffler				
2	2	H90136SM4901	Nut				
3	1	H18354Z0H800	Filter				
4	1	H9425106000	Clamp				
5	1	H18510Z0H800	Support				
6	2	H90001Z0H003	Bolt				
7	1	H22253Z3E000	Bolt				
8	1	H19611Z0H000	Cover				
9	3	H90009Z0H003	Bolt				
10	2	H22254Z3E000	Washer				
11	1	H22000Z0H811	Clutch				
12	2	H22255Z3E000	Washer				



# MZ 2030 Rotary tiller - Carburettor

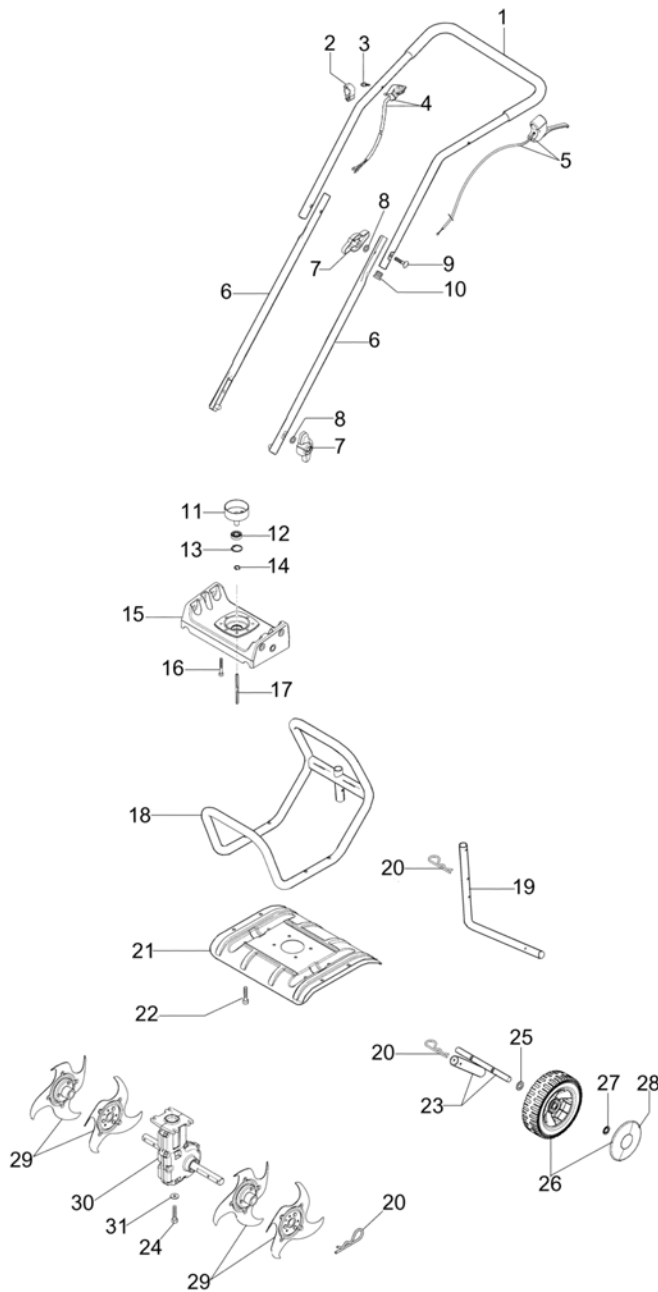


## MZ 2030 Rotary tiller - Carburettor



Ref.Nu	Qty	Part number	Description	Validity from	Validity till	Notes	Bulletin
1	1	H16010ZM3004	Gasket				
2	1	H16011Z0H013	Gasket				
3	1	H16013Z0H003	Diaphragm				
4	1	H16014ZM3004	Diaphragm pump				
5	1	H16015Z0H013	Pump body				
6	1	H16017ZM3004	Air purge body				
7	1	H16018ZM3802	Filter				
8	2	H90014Z0H003	Bolt				
9	3	H90018Z0H003	Screw				
10	1	H99101Z0Z0370	Jet				
11	1	H91301ZM3000	O-ring				
12	1	H91308Z3E000	O-ring				
13	1	H16024Z0H003	Retainer washer				
14	1	H16025ZM3004	O-ring				
15	1	H16026ZM3004	Cover				
16	1	H16027ZM3004	Adjuster nut				
17	2	H16028ZM3004	Screw				
18	4	H16029ZM3004	Screw				
19	1	H16030ZM3004	Spring				
20	1	H16031ZM3004	Washer				
21	1	H16032ZM3004	Primer				
22	1	H16035ZM3802	Filter				
23	1	H16100Z0H862	Carburetor				
24	1	H19631Z0H000	Insulator				
25	1	H16221Z0H000	Gasket				

# MZ 2030 Rotary tiller - Complete illustrated parts list



## MZ 2030 Rotary tiller - Complete illustrated parts list



Ref.Nu	Qty	Part number	Description	Validity from	Validity till	Notes	Bulletin
1	1	68600024R	Handlebar				
2	1	66060231	Band				
3	1	H90105733D61	Screw				
4	1	H35120746C21	Switch				
5	1	68600022R	Throttle				
6	2	68600015R	Handlebar				
7	4	66060395R	Knob				
8	4	3916008R	Washer				
9	2	3910015R	Screw				
10	2	3045013R	Cap				
11	1	61130003R	Clutch drum				
12	1	3035023R	Bearing				
13	1	3025019	Ring				
14	1	3024012	Ring				
15	1	68600016R	Support				
16	4	3801033R	Screw				
17	1	68600014R	Drive shaft				
18	1	68600018R	Frame				
19	1	68600117R	Drag bar				
20	4	68600032R	Spring pin				
21	1	68600028R	Guard				
22	1	3806076	Screw				
23	1	68600038R	Front axle				
24	4	3806038R	Screw				
25	2	3916012	Washer				
26	2	66100127A	Wheel kit				
27	2	3045036R	Retainer washer				
28	2	66030080	Wheel cover				
29	2	68600113	Milling cutter se				
30	1	68600010R	Reduction gear				
31	1	3918009R	Washer				