

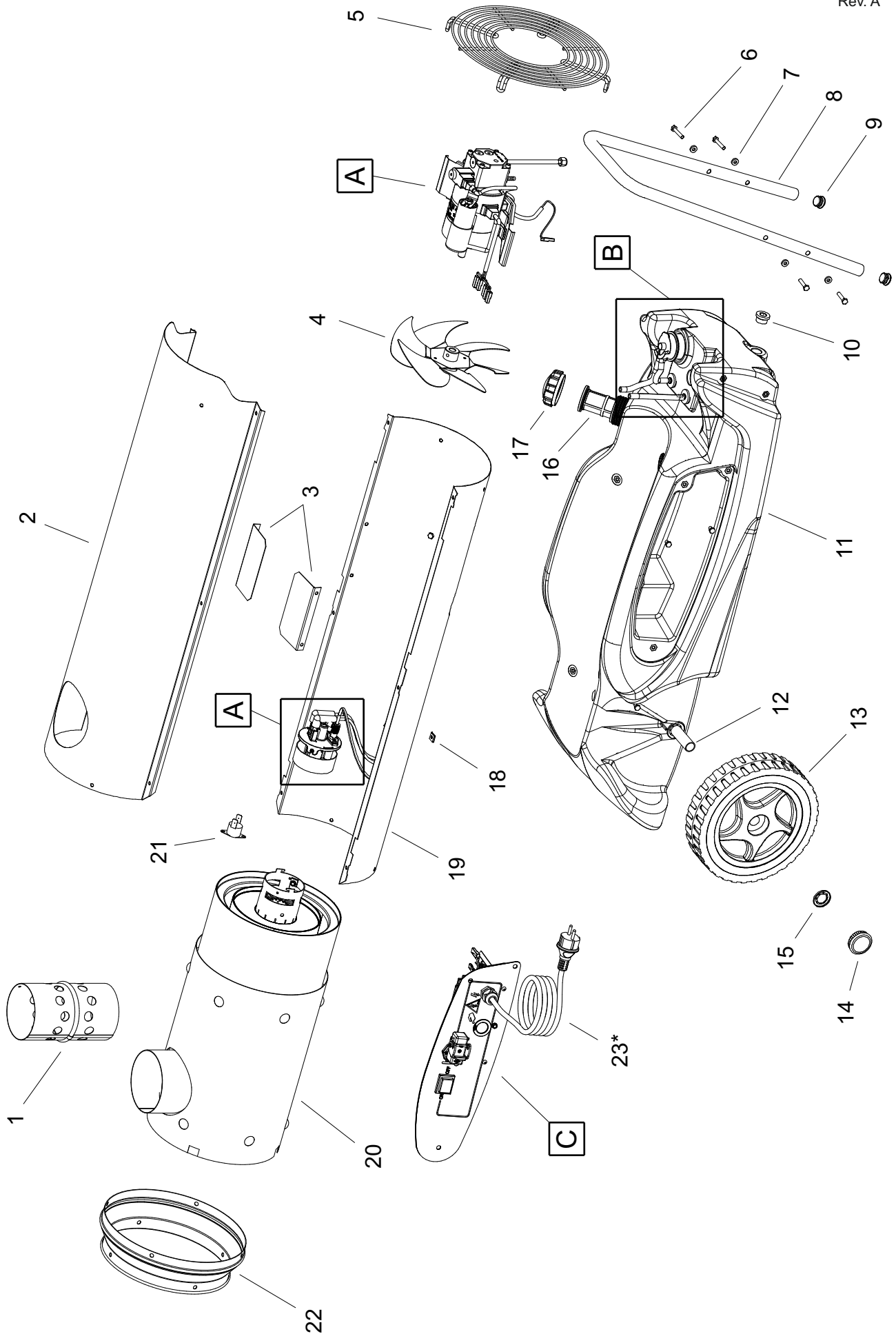
# BV 77 MODEL 2013

UNIT 1

ILLUSTRATED PARTS BREAKDOWN

Edizione 2013  
Rev. A

From Serial Number: 04233000449

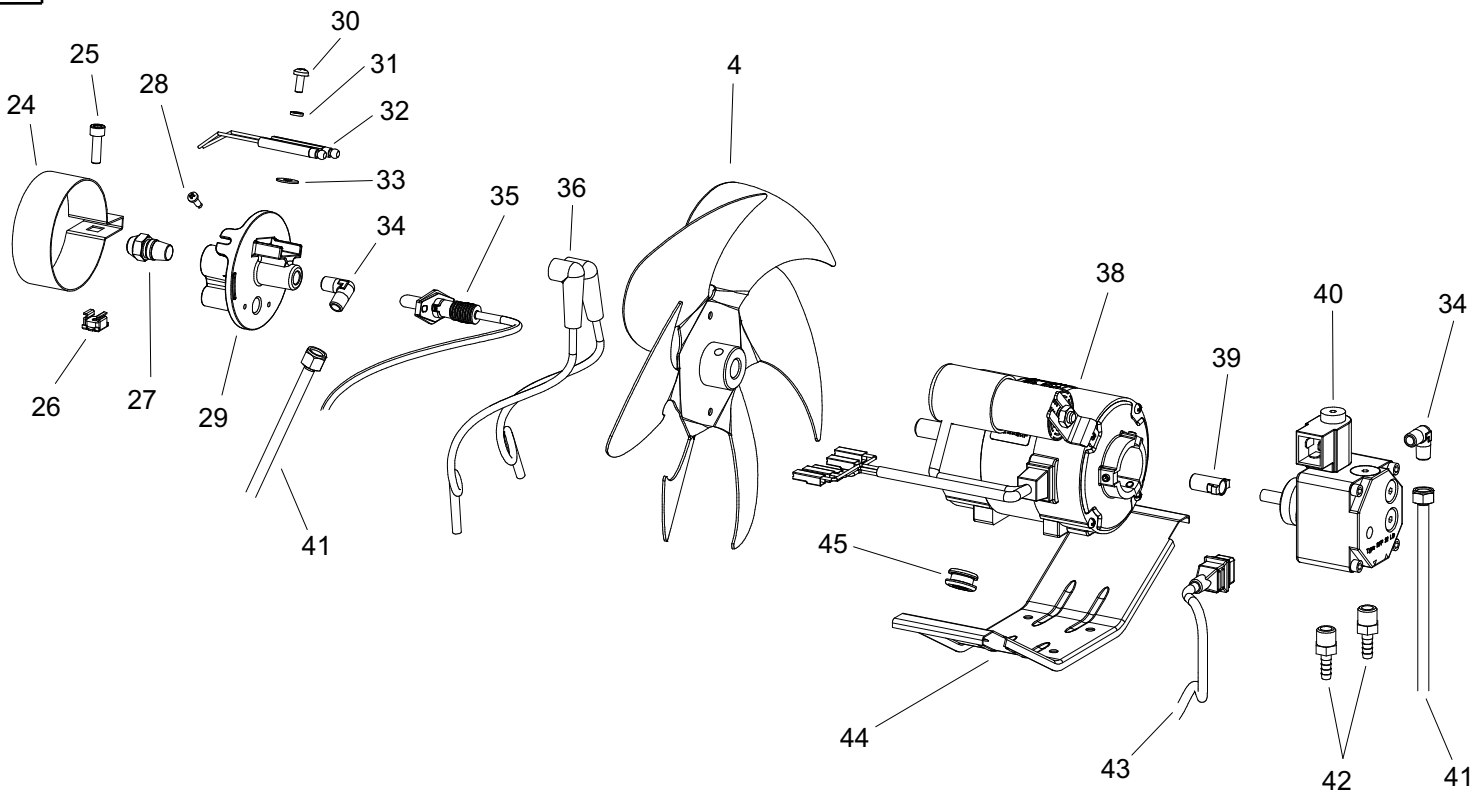


# BV 77 MODEL 2013

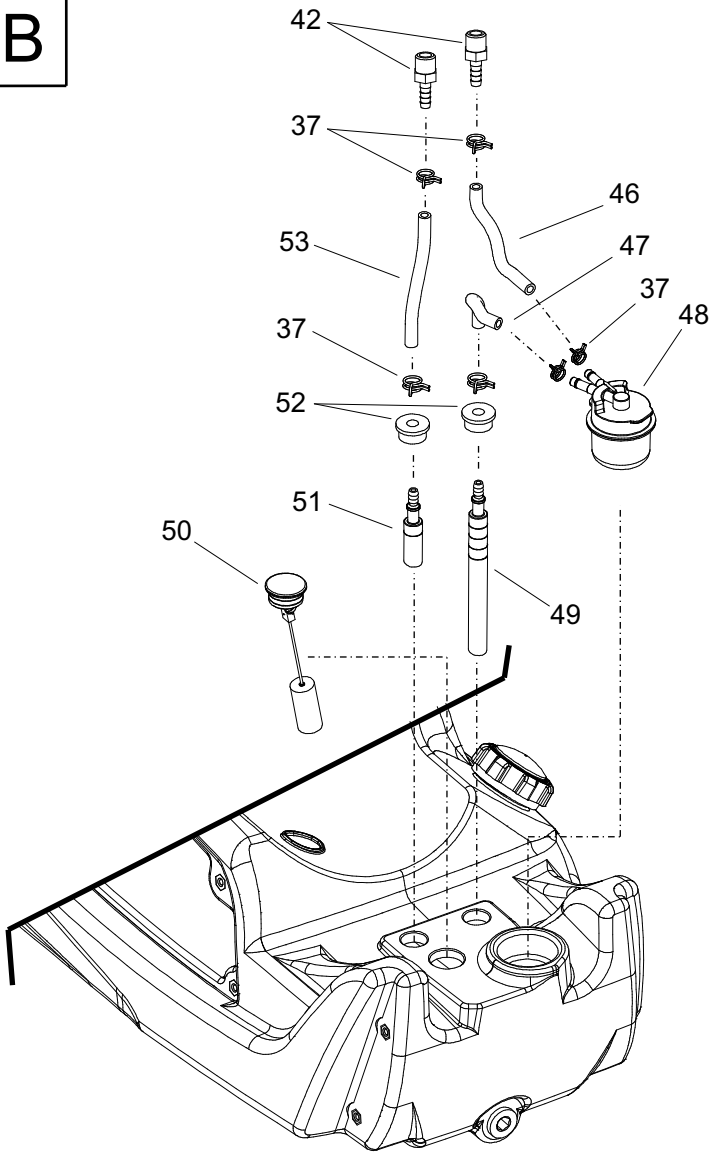
UNIT 2

ILLUSTRATED PARTS BREAKDOWN

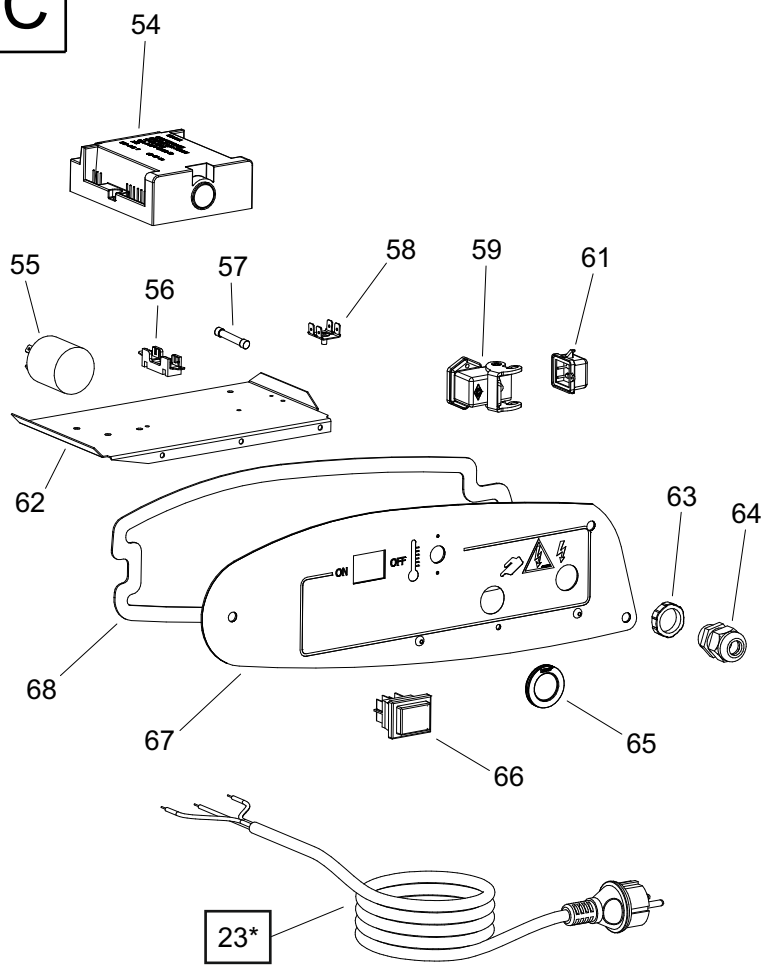
**A**



**B**



**C**



---

| <b>Pos.</b> | <b>Code NR</b> | <b>Description</b>     |
|-------------|----------------|------------------------|
| 1           | 4032.840       | CHIMNEY                |
| 2           | 4032.832       | UPPER SHELL            |
| 3           | 4032.808       | AIR FLAP               |
| 4           | 4032.814       | FAN                    |
| 5           | 4032.836       | INLET GRID             |
| 6           | 4140.665       | SCREW                  |
| 7           | 4160.272       | WASHER                 |
| 8           | 4032.811       | HANDLE                 |
| 9           | 4032.979       | CAP                    |
| 10          | 4032.813       | DRAIN PLUG             |
| 11          | 4033.267       | TANK                   |
| 12          | 4032.809       | AXLE                   |
| 13          | 4032.094       | WHEEL                  |
| 14          | 4111.480       | WHEEL CAP              |
| 15          | 4111.072       | WHEEL HOLDER           |
| 16          | 4201.185       | TANK FILTER            |
| 17          | 4032.846       | TANK CAP               |
| 18          | 4104.170       | CLIP NUT               |
| 19          | 4032.834       | LOWER SHELL            |
| 20          | 4033.081       | COMBUSTION CHAMBER     |
| 21          | 4032.883       | LIMIT THERMOSTAT       |
| 22          | 4031.657       | OUTLET CONE            |
| 23*         | 4033.253       | POWER CORD SCHUKO      |
| 23-A        | 4033.252       | POWER CORD NEW ZEALAND |
| 23-B        | 4033.302       | POWER CORD UK          |
| 24          | 4032.545       | AIR REGULATION FLAP    |
| 25          | 4032.455       | SCREW                  |
| 26          | 4032.454       | CAGE NUT               |
| 27          | 4031.536       | NOZZLE                 |
| 28          | 4161.956       | SCREW                  |
| 29          | 4033.042       | BURNER FLANGE          |
| 30          | 4110.363       | SCREW                  |
| 31          | 4110.393       | AUTOLOCK WASHER        |
| 32          | 4033.123       | BIFILAR ELECTRODE      |
| 33          | 4110.394       | FIBER WASHER           |
| 34          | 4033.198       | ELBOW                  |

---

| <b>Pos.</b> | <b>Code NR</b> | <b>Description</b>         |
|-------------|----------------|----------------------------|
| 35          | 4033.022       | PHOTOCELL                  |
| 36          | 4032.885       | HIGH TENSION CABLES        |
| 37          | 4100.810       | PIPE CLAMP                 |
| 38          | 4033.219       | MOTOR                      |
| 39          | 4111.081       | COUPLING                   |
| 40          | 4111.042       | PUMP                       |
| 41          | 4033.187       | FLEXIBLE OIL PIPE          |
| 42          | 4032.906       | FITTING                    |
| 43          | 4032.342       | SOLENOID SPOOL CORD        |
| 44          | 4032.835       | MOTOR BRACKET              |
| 45          | 4032.947       | CABLE PROTECTION           |
| 46          | 4033.269       | OIL PIPE FILTER-PUMP       |
| 47          | 4033.268       | OIL PIPE TANK-TANK FILTER  |
| 48          | 4260.107       | FUEL FILTER                |
| 49          | 4110.355       | OIL SUCTION LINE           |
| 50          | 4260.099       | FUEL GAUGE                 |
| 51          | 4033.038       | OIL DISCHARGE LINE         |
| 52          | 4100.541       | RUBBER BUSHING             |
| 53          | 4110.032       | OIL DISCHARGE PIPE         |
| 54          | 4033.017       | IGNITION CONTROL           |
| 55          | 4032.771       | POWER LINE RFI FILTER      |
| 56          | 4033.301       | FUSE HOLDER                |
| 57          | 4032.850       | FUSE                       |
| 58          | 4160.639       | POP RIVET TERMINAL 4 WAY   |
| 59          | 4111.119       | THERMOSTAT SOCKET          |
| 61          | 4162.467       | CAP FOR THERMOSTAT SOCKET  |
| 62          | 4033.292       | ELECTRICAL COMPONENTS BASE |
| 63          | 4100.656       | NUT                        |
| 64          | 4150.528       | STRAIN RELIEF              |
| 65          | 4033.251       | BOARD BUTTON CAP           |
| 66          | 4165.204       | SWITCH                     |
| 67          | 4033.272       | ELECTRICAL PANEL           |
| 67          | 4033.273       | ADHESIVE                   |
| 68          | 4033.274       | PANEL GASKET               |