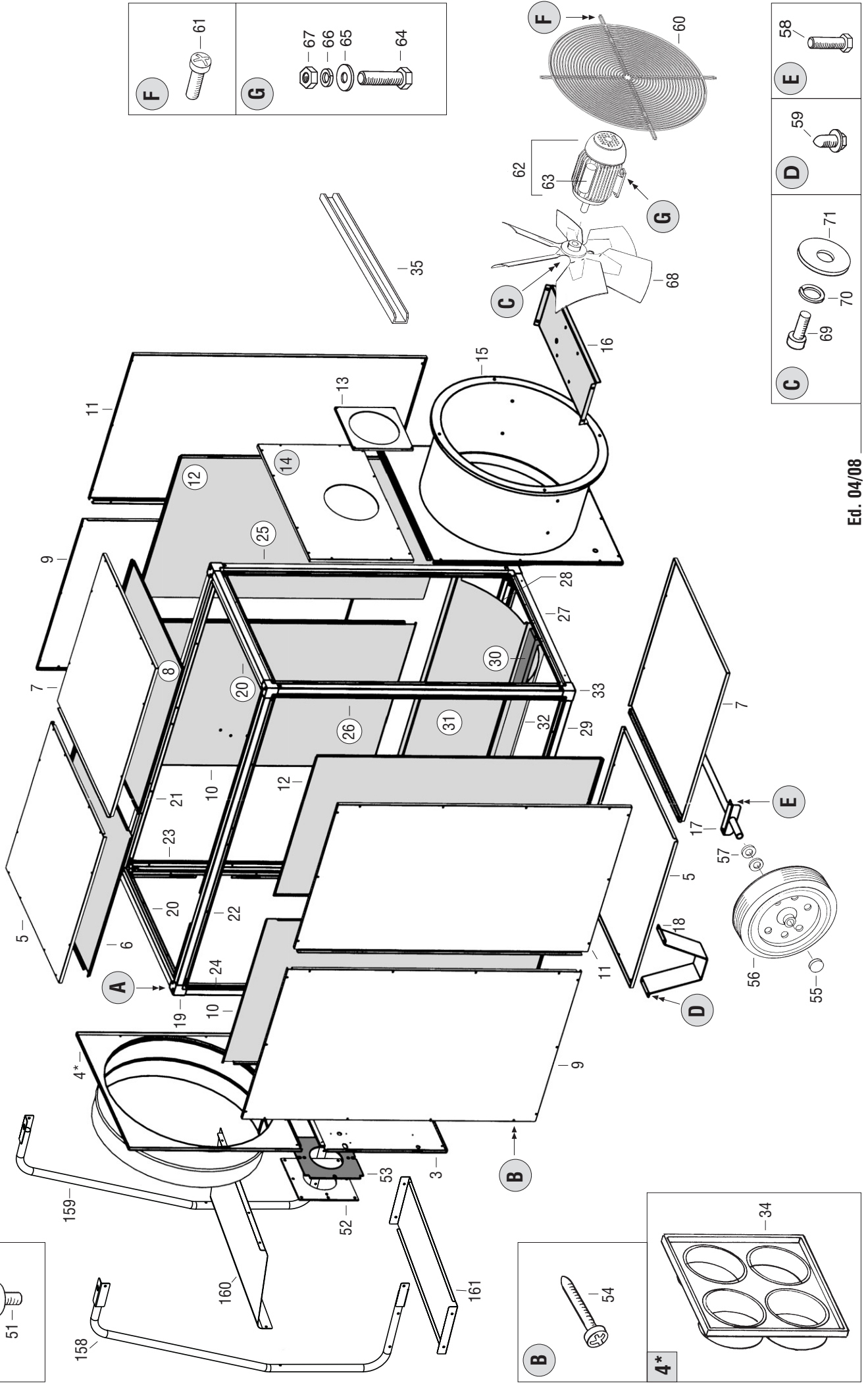
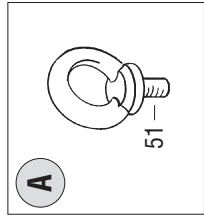
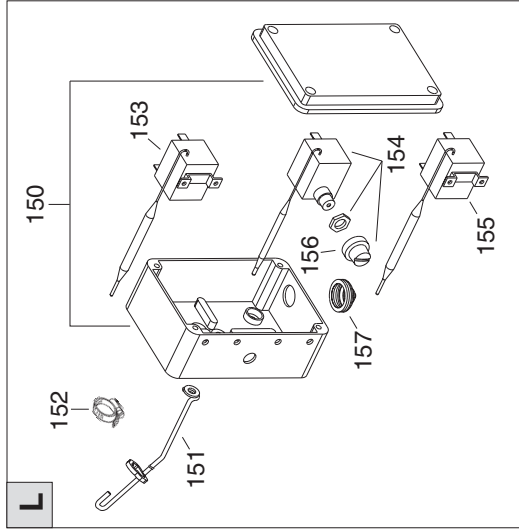


# BV 685E

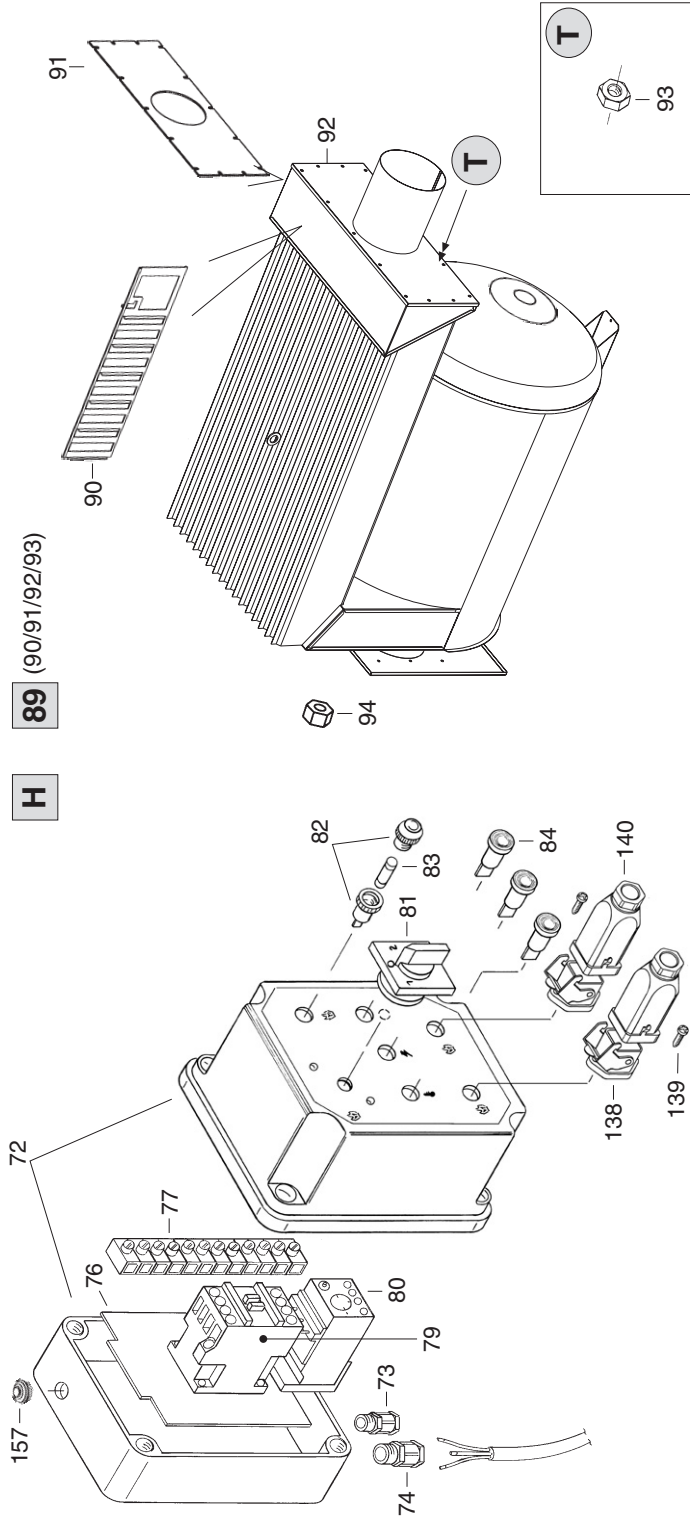


**L**

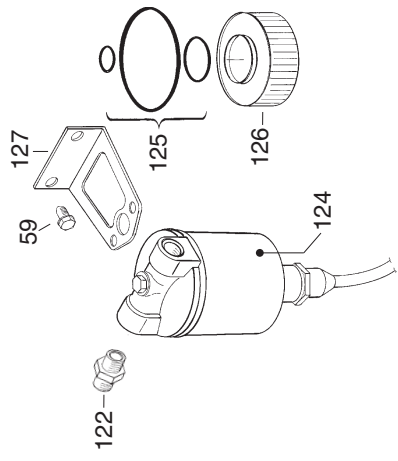
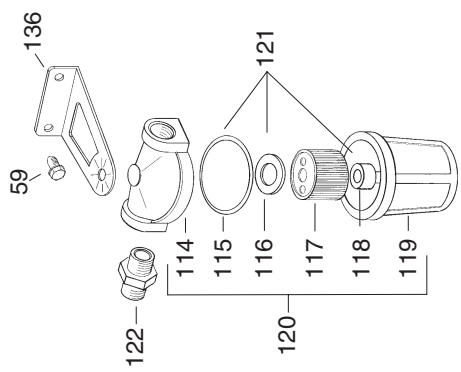


**H**

**89** (90/91/92/93)



**Filtro gasolio con preriscaldamento**  
**Filtere gasoil pre-chauffage**  
**Heizölvorwärmfilter - Oil pre-heaters filter**



## MASTER HIGH OUTPUT INDIRECT HEATERS BV 685

Pos.	Description	Code
3	Burner Panel	S/R
4	Outlet Air Panel Ø 684	4013.238
5	Front Upper Panel	S/R
6	Inner Panel	4032.140
7	Rear Upper Panel	S/R
8	Inner Panel	4031.142
9	Side Front Panel	S/R
10	Inner Panel	4032.136
11	Side Rear Panel	S/R
12	Inner Panel	4032.138
13	Chimney Flange Ø200	4032.221
14	Chimney Panel	S/R
15	Fan Support Panel	4031.886
16	Motor Support Plate	4031.887
17	Wheels Axle	4031.320
18	Front Support	4031.321
19	Aluminum Joint With Nut M10	4031.331
20	Upper Short Angle Steel	S/R
21	Upper Long Sx Angle Steel	S/R
22	Upper Long Dx Angle Steel	S/R
23	Vertical Front Sx Angle Steel	S/R
24	Vertical Front Dx Angle Steel	S/R
25	Vertical Back Sx Angle Steel	S/R
26	Vertical Back Dx Angle Steel	S/R
27	Lower Short Angle Steel	S/R
28	Lower Long Sx Angle Steel	S/R
29	Lower Long Dx Angle Steel	S/R
30	Comb. Chamber Support	4032.158
31	Comb. Chamber Sx Support	4032.159
32	Comb. Chamber Dx Support	4032.160
33	Aluminum Joint	4032.161
34	4 Ways Ø290 Panel	4013.239
35	Reinforced Frame	S/R
51	Suspending Ring Screw M10	4031.332
52	Burner Support	4032.162
53	Burner Plate Seal 250X250X5	4031.322
54	Screw Tc 8X1"	4140.675
55	Wheel Holder	4031.323
56	Wheel Ø385	S/R
57	Washer Ø26Xø44X4	4031.325
58	Screw Te M8X25	4032.089
59	Screw Te14X1/2" F.R.	4032.040
60	Inlet Grille	4032.164
61	Screw Tc M6X16 F.R.	4032.107
62	Motor Hp 3 V.230/50 1Ph	4031.326
63	Condenser Mf 65	4031.327
64	Screw Te M8X30	4032.047
65	Washer Ø8Xø24X2,5	4140.668
66	Spring Washer Ø8	4140.669
67	Nut M8	4140.671
68	Fan Ø630	4031.328
69	Screw Te M10X20	S/R
70	Spring Washer Ø10	S/R
71	Washer Ø11Xø35X2	S/R
72	El. Components Box	4031.427
73	Cable Fastener Pg 9	4032.053
74	Cable Fastener Pg 11	4032.052
76	El. Components Support Plate	S/R
77	Terminal Board 12 El. Mmq 10	4032.056
79	Contacteur Wimex	4031.334

## MASTER HIGH OUTPUT INDIRECT HEATERS BV 685

Pos.	Description	Code
80	Relay Iskra	4031.336
81	Control Knob 1-0-2	4031.268
82	Fuse Holder	4031.206
83	Fuse (5X20) A. 6	4031.102
84	Red Pilot Lamp Ø12 V230	4031.169
89	Combustion Chamber	S/R
90	Baffle Plate	4032.174
91	Chimney Seal 671X248X5	4031.366
92	Chimney Cover	S/R
93	Nut M6 Ot	4032.075
94	Female Plug 1"	4032.076
114	Filter Head 3/8"	4031.428
115	Filter Or	4031.150
116	Upper Seal	4031.075
117	Filter Cartridge	4031.015
118	Lower Seal	4031.191
119	Filter Housing	4031.180
120	Filter 3/8"	4031.070
121	Or Kit Filter	4111.116
122	Nipple 3/8"M-1/4"M	4032.104
124	Oil Pre-Heater	4031.120
125	Seal Kit For Oil Pre-Heater	4031.181
126	Filter Cartridge	4031.179
127	Filter Support	4031.122
136	Filter support	4031.432
138	Thermostat Socket	4031.444
138	Burner Socket	4032.108
139	Screw Tc 4X1/2"	4032.109
140	Thermostat Plug (5 pin)	4031.087
140	Burner Plug (4 pin)	4111.118
150	El. Components Box	4031.433
151	Bulbs Holder	4032.120
152	Clip	4032.121
153	Thermostat Ty95 30/90 °C	4032.122
154	Thermostat Ty95H 120 °C	4032.123
155	Thermostat Ty95 0/60 °C	4032.124
156	Safety Thermostat Plastic Profile	4032.125
157	Cable Protection Ø19	4162.101
158	Right Handle	4031.439
159	Left Handle	4031.440
160	Burner Casing Top Cover	4031.441
161	Casing Bottom	4031.442
H + L	El. Components Box COMPLETE	4031.443
not shown	Room Thermostat Th 5A	4150.110
not shown	Air Hose Ø710 Mm, 7,6 M For 1-Way Outlet	4031.411
not shown	Air Hose Ø510 Mm, 7,6 M For 2-Way Outlet	4031.403
not shown	Air Hose Ø305 Mm, 7,6 M For 4-Way Outlet	4031.406
not shown	Hose Binder	4161.432
not shown	Fuel Pipe Flex 4 M	4031.460
not shown	Riello Burner 40G20S-TL	4032.369

S/R = Parts available by special request only