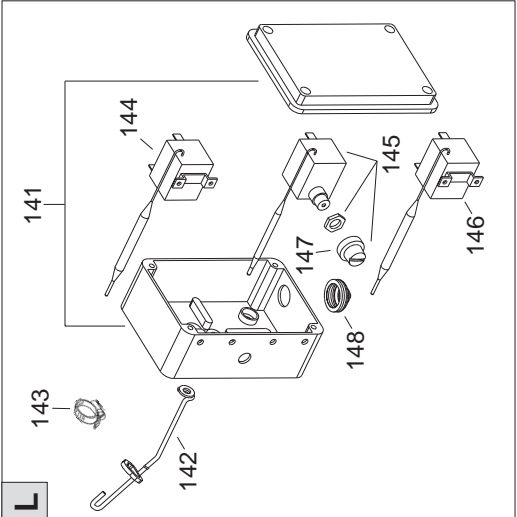
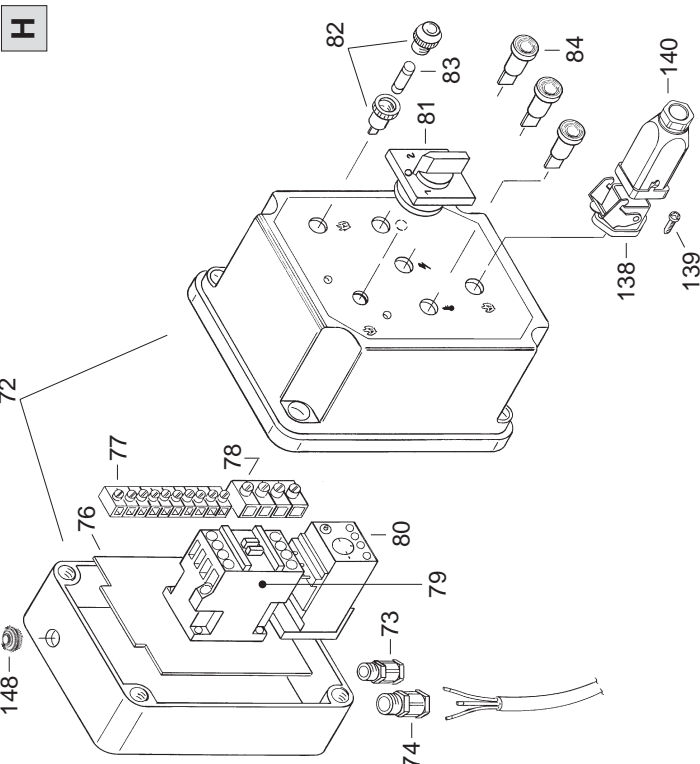


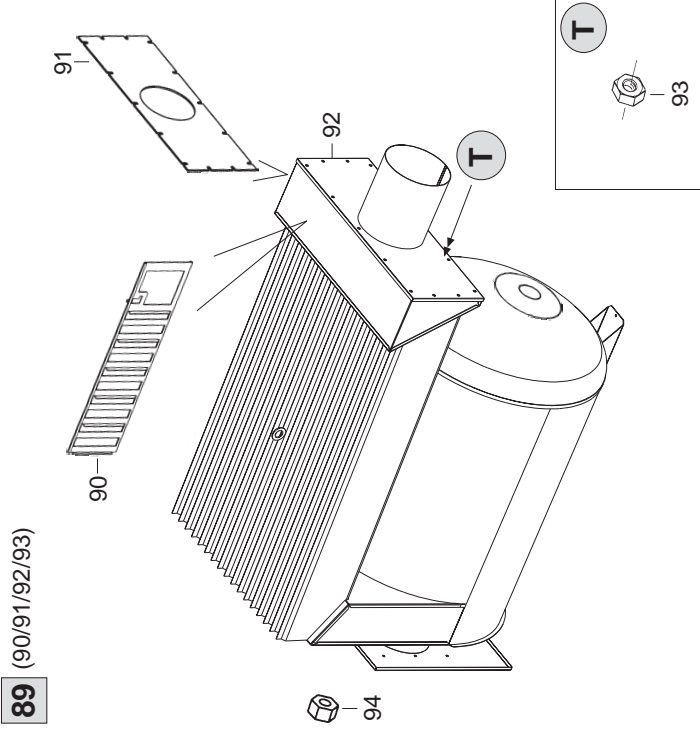
L



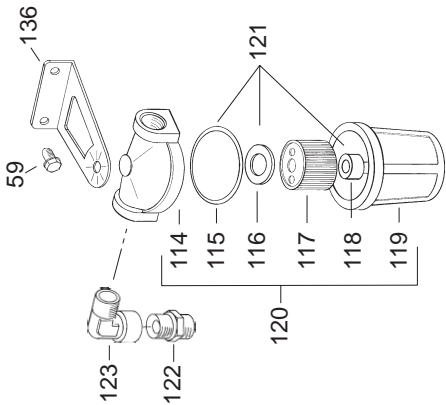
H



89 (90/91/92/93)



Optional (2)
Filtro gasolio con preriscaldamento
Filtre gasoil pre-chauffage
Heizölvorwärmfilter - Oil pre-heaters filter



Filtro Gasolio - Filtre - Filter - Filter

MASTER HIGH OUTPUT INDIRECT HEATERS BV 300 E / BV 360 E

Pos.	Description	BV 300	BV 360
1	Burner casing	S/R	S/R
2	Burner casing top cover	S/R	S/R
3	Burner panel	S/R	S/R
4	Outlet air panel	S/R	S/R
5	Front upper panel	S/R	S/R
6	Inner panel	S/R	S/R
7	Rear upper panel	S/R	S/R
8	Inner panel	S/R	S/R
9	Side panel	S/R	S/R
10	Inner panel	S/R	S/R
11	Chimney flange Ø150	S/R	S/R
12	Chimney panel	S/R	S/R
14	Motor support plate	4032.015	4031.583
15	Bottom panel	S/R	S/R
16	Wheels axle	S/R	S/R
17	Front support	4031.183	4031.183
18	Aluminum joint with nut M10	S/R	S/R
19	Upper short angle steel	S/R	S/R
20	Upper long SX angle steel	S/R	S/R
21	Upper long DX angle steel	S/R	S/R
22	Vertical front SX angle steel	S/R	S/R
23	Vertical front DX angle steel	S/R	S/R
24	Vertical back SX angle steel	S/R	S/R
25	Vertical back DX angle steel	S/R	S/R
26	Lower short angle steel	S/R	S/R
27	Lower long SX angle steel	S/R	S/R
28	Lower long DX angle steel	S/R	S/R
29	Comb. chamber support	S/R	S/R
30	Comb. chamber SX support	S/R	S/R
31	Comb. chamber DX support	S/R	S/R
32	Aluminum joint	S/R	S/R
34	Fan support panel	S/R	S/R
51	Suspending ring screw M10	4031.332	4031.332
52	Burner support	4032.027	4032.027
53	Burner plate seal	4031.201	4031.201
54	Screw TC 8x1"	4032.030	4032.030
56	Wheel Ø250	4031.134	4031.134
58	Screw TE M8x25	4032.089	4032.089
59	Screw TE14x1/2" FR	4032.040	4032.040
61	Screw TC M6x16 F.R.	4032.107	4032.107
62	Motor	4032.033	4031.584
63	Condenser	4032.037	4031.346
64	Screw TE M8x30	4032.047	4032.047
65	Washer	4032.048	4032.048
66	Spring washer	4140.669	4140.669
67	Nut M8	4140.671	4140.671
68	Fan	4032.031	4031.585
69	Screw TE M6x16	4032.041	4032.041
70	Spring washer Ø 6	4032.044	4032.044
71	Washer	4032.045	4032.045
72	El. components box	4031.580	4031.586

MASTER HIGH OUTPUT INDIRECT HEATERS BV 300 E / BV 360 E

Pos.	Description	BV 300	BV 360
73	Cable fastener PG 9	4032.053	4032.053
74	Cable fastener PG 11	4032.052	4032.052
76	El. components support plate	4032.054	4032.054
77	Terminal board 12 el. mmq 6	4032.055	4032.055
78	Terminal board 12 el. mmq 10	4032.056	4032.056
79	Contacteur Wimex KN16 V220	4032.058	4032.058
80	Relay Iskra	4032.059	4032.061
81	Control Knob 1-0-2	4031.268	4031.268
82	Fuse holder	4031.902	4031.902
83	Fuse (5x20) A. 6	4031.102	4031.102
84	Red pilot lamp	4031.169	4031.169
89	Combustion chamber	4032.068	4031.587
90	Baffle plate	4032.070	4032.070
91	Chimney seal	4032.071	4032.071
92	Chimney cover	4032.073	4032.073
93	Nut M6 OT	4032.075	4032.075
94	Female plug 1"	4032.076	4032.076
114	Filter head 1/4"	4032.077	4032.077
115	Filter OR	4031.150	4031.150
116	Upper seal	4031.075	4031.075
117	Filter cartridge	4031.015	4031.015
118	Lower seal	4031.191	4031.191
119	Filter housing	4031.180	4031.180
120	Filter 1/4"	4032.096	4032.096
121	OR KIT filter	4111.116	4111.116
122	Nipple 1/4"	4031.302	4031.302
123	Connection 1/4"	4032.099	4032.099
124	Oil pre-heaters filter 3/8"	4031.120	4031.120
125	OR KIT filter	4032.101	4032.101
126	Filter cartridge	4032.102	4032.102
127	Filter support	4032.103	4032.103
128	Nipple 3/8"- 1/4"	4032.104	4032.104
130	Wheel holder Ø25	4031.177	4031.177
131	Plastic plug	4031.178	4031.178
134	Inlet grille	4032.105	4031.137
136	Filter support	4031.122	4031.122
137	Connection 3/8"	4031.581	4031.581
138	Thermostat plug 3P + T	4032.108	4032.108
139	Screw TC 4x1/2"	4032.109	4032.109
140	Plate plug 3P + T	4162.091	4162.091
141	El. components box	4031.582	4031.582
142	Bulbs holder	4032.120	4032.120
143	Clip	4032.121	4032.121
144	Thermostat TY95 30/90 °C	4032.122	4032.122
145	Thermostat TY95H 120 °C	4032.123	4032.123
146	Thermostat TY95 0/60 °C	4032.124	4032.124
147	Safety thermostat plastic profile	4032.125	4032.125
148	Cable protection Ø19	4162.101	4162.101

S/R = Parts available by special request only