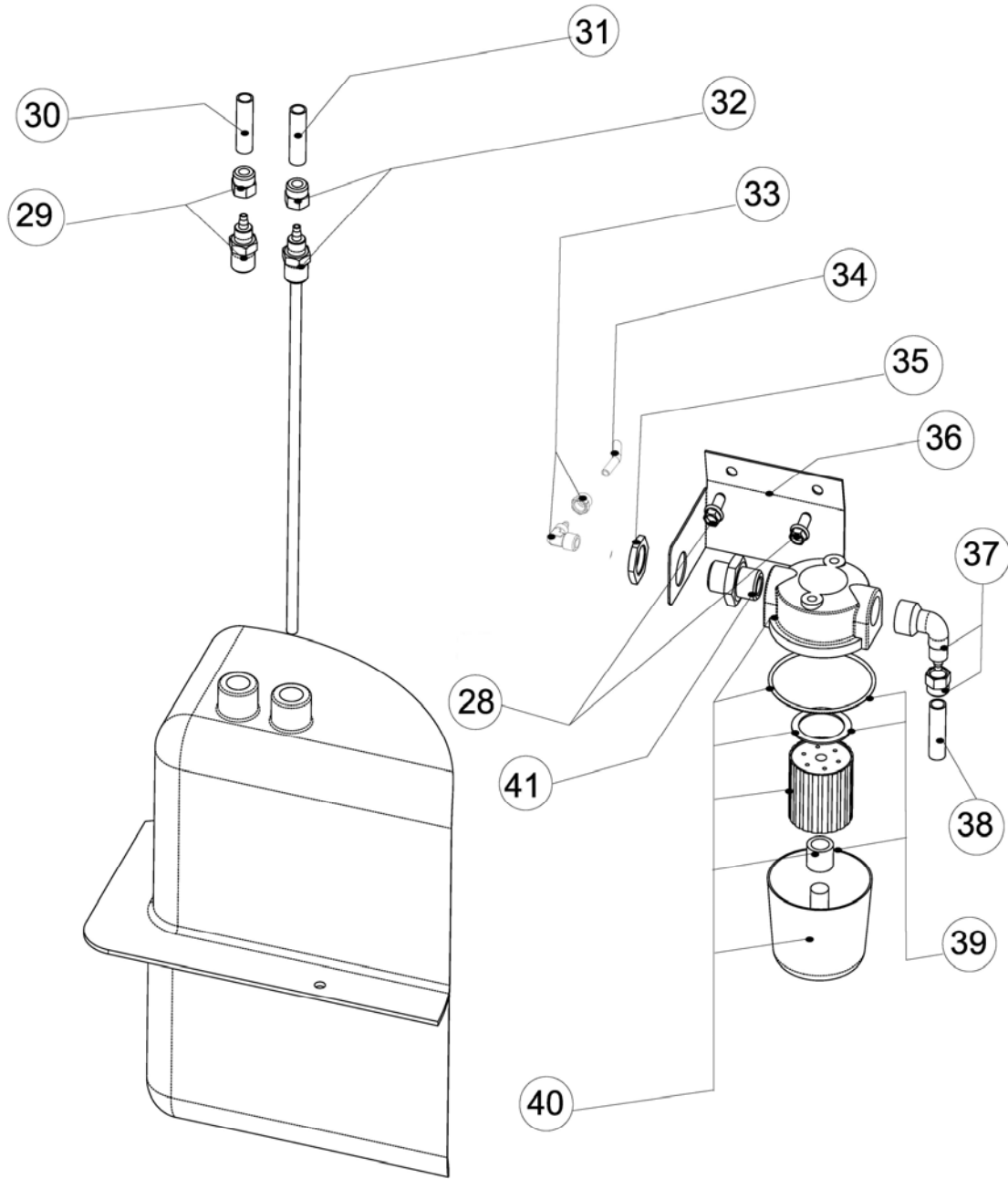


MASTER DIRECT OIL HEATERS

MODEL 225 CEE BODY

PARTS LIST

Key No.	Part number	Description
1	4111.233	OUTLET CONE
2	4104.170	CLIP NUT
3	4111.236	COMBUSTION CHAMBER COMPLETE
4	4109.590	SCREW TEFR 4,8X13 W/OUT TIP
5	4111.231	UPPER BODY
6	4110.124	SCREW TEFR 4,8X13 WITH TIP ZNB
7	4111.241	DOUBLE PLATE FOR SCREWS
8	4111.239	REAR INLET GRILL
9	4110.143	NUT M5 HEXAGONAL
10	4111.229	BASE
11	4160.646	BUSHING PVC BLACK
12	4111.129	FRAME HANDLE
13	4110.625	FUEL TANK
14	4031.013	DRAIN PLUG
15	4111.131	FRAME BEARING
16	4111.133	AXLE WHEELS
17	4110.978	WHEEL BLACK D.300
18	4110.129	PLUG WHEEL BLACK
19	4111.072	WHEEL HOLDER 20 mm
20	4110.962	TANK PLUG BLACK
21	4111.078	SCREW TE M5X60
22	4111.057	PLUG PVC BLACK
23	4111.077	SCREW TE M5X35
24	4110.517	SCREW TE F/R 5,5X13
25	4111.227	BASE SX
26	4111.056	BUSHING PVC BLACK
27	4111.232	LOWER BODY
28	4160.995	SCREW TCC M5X10

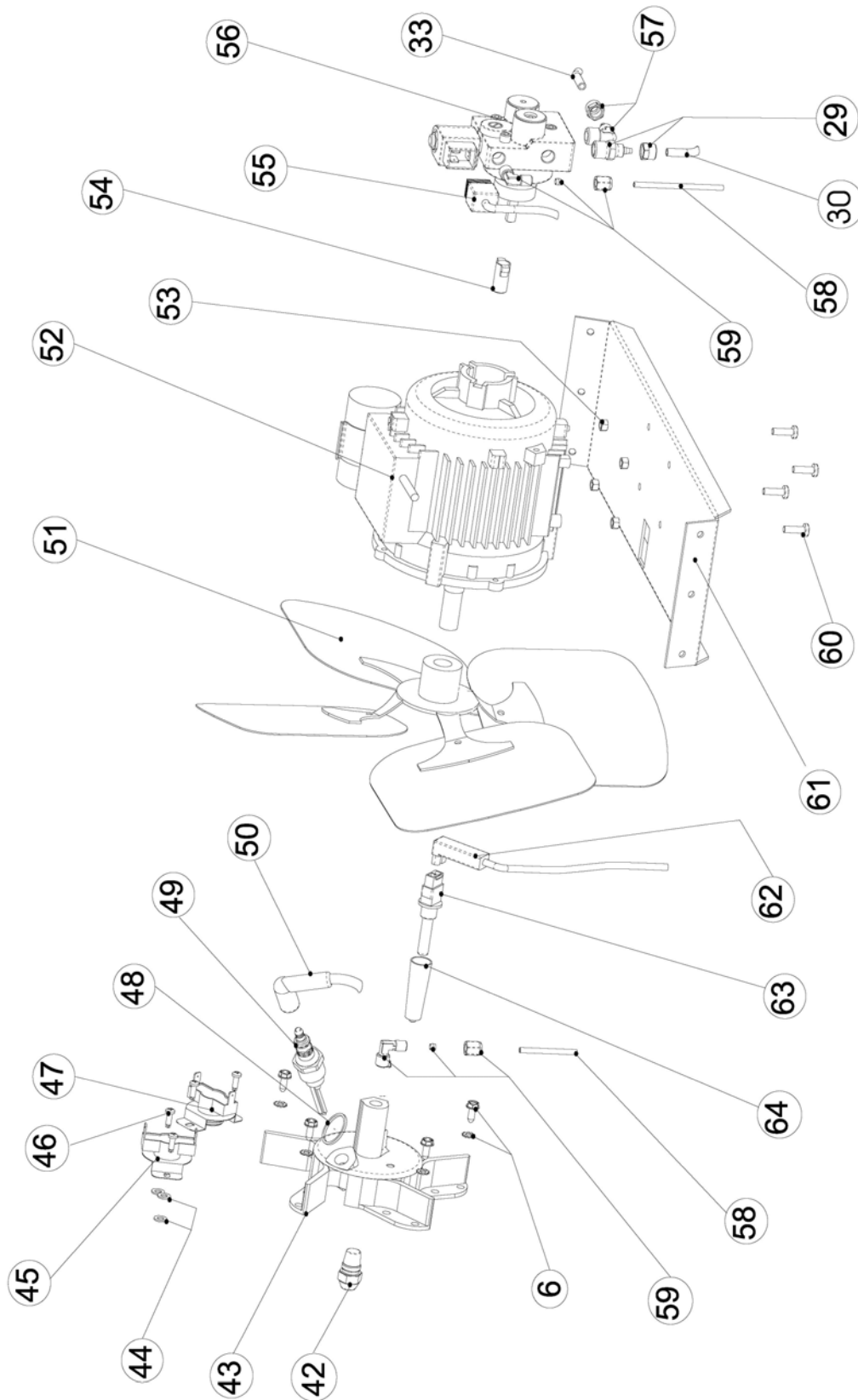


MASTER DIRECT OIL HEATERS

MODEL 225 CEE FILTER

PARTS LIST

Key No.	Part number	Description
28	4160.995	SCREW TCC M5X10
29	4031.160	CONNECTOR
30	4111.050	FUEL PIPE 6MM POMP-TANK
31	4111.026	FUEL PIPE 6MM TANK-FILTER
32	4031.148	PIPE CONN. 1/4" MX6
33	4111.273	CONNECTION
34	4111.043	FUEL PIPE 6MM FILTER-POMP
35	4031.800	NUT 3/8"X5 BRASS
36	4111.046	FILTER SUPPORT BLACK
37	4031.803	CONNECTION 90 DGR 3/8 MX6
38	4111.026	FUEL PIPE 6MM TANK-FILTER
39	4111.116	KIT FILTER PACKINGS
40	4111.045	FILTER COMPLETE
41	4031.802	DUBBLE SCREW



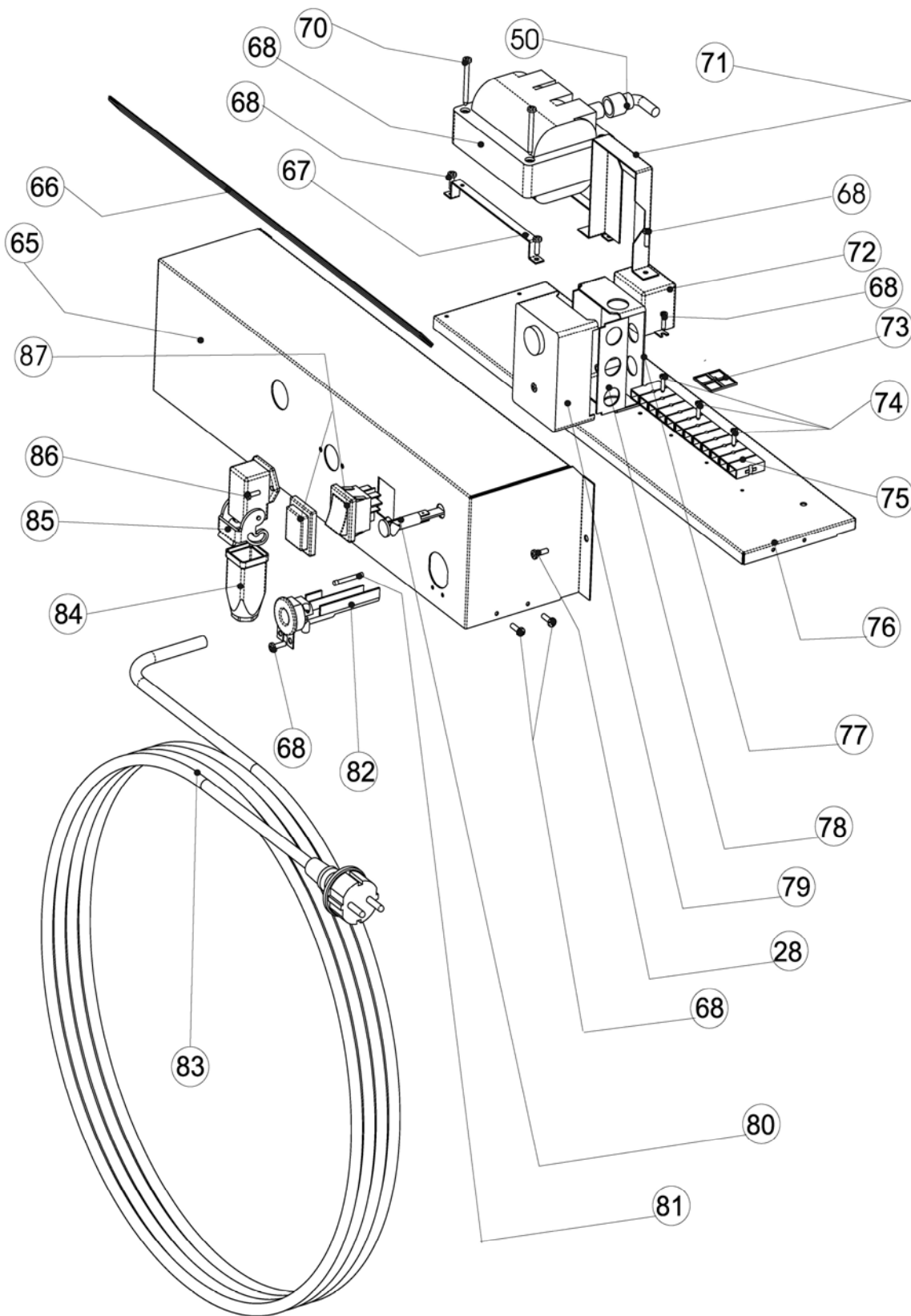
MASTER DIRECT OIL HEATERS

MODEL 225 CEE MOTOR PUMP FAN

PARTS LIST

Key No.	Part number	Description
6	4110.124	SCREW TEFR 4,8X13 WITH TIP ZNB
29	4031.160	CONNECTOR
30	4111.050	FUEL PIPE 6MM POMP-TANK
33	4111.273	CONNECTION
42	4111.240	NOZZLE 1,25 GPH 60°S
43	4111.235	BURNER HEAD BODY
44	4160.615	SPARK PLUG GASKET
45	4031.047	OVERHEAT THERMOSTAT
46	4161.956	SCREW TCC 3,9X13
47	4031.045	COOL-OFF THERMOSTAT
48	4100.526	SPARK PLUG GASKET
49	4101.846	SPARK PLUG
50	4110.971	SPARK PLUG CONNECTOR L=850
51	4111.225	FUN
52	4111.224	MOTOR 500W 230V
53	4111.104	NUT M6
54	4111.081	POMP CONNECTOR
55	4110.963	POWER CORD. ELETTRVALV. L=1000MM
56	4111.042	PUMP
57	4111.274	CONNECTION
58	4111.049	BRANCH TUBE D.4X0.75 L=850
59	4161.140	CONNECTOR 90 DGR M.M. 1/8"
60	4111.044	SCREW TE M5X16
61	4111.226	MOTOR SUPPORT
62	4110.970	CONNECTOR CORD FOR PHOTOCELL
63	4111.237	PHOTOCELL
64	4111.064	PHOTOCELL SEPARATION

MODEL 225 CEE ELECTRIC ASSEMBLY ILLUSTRATED PARTS BREAKDOWN

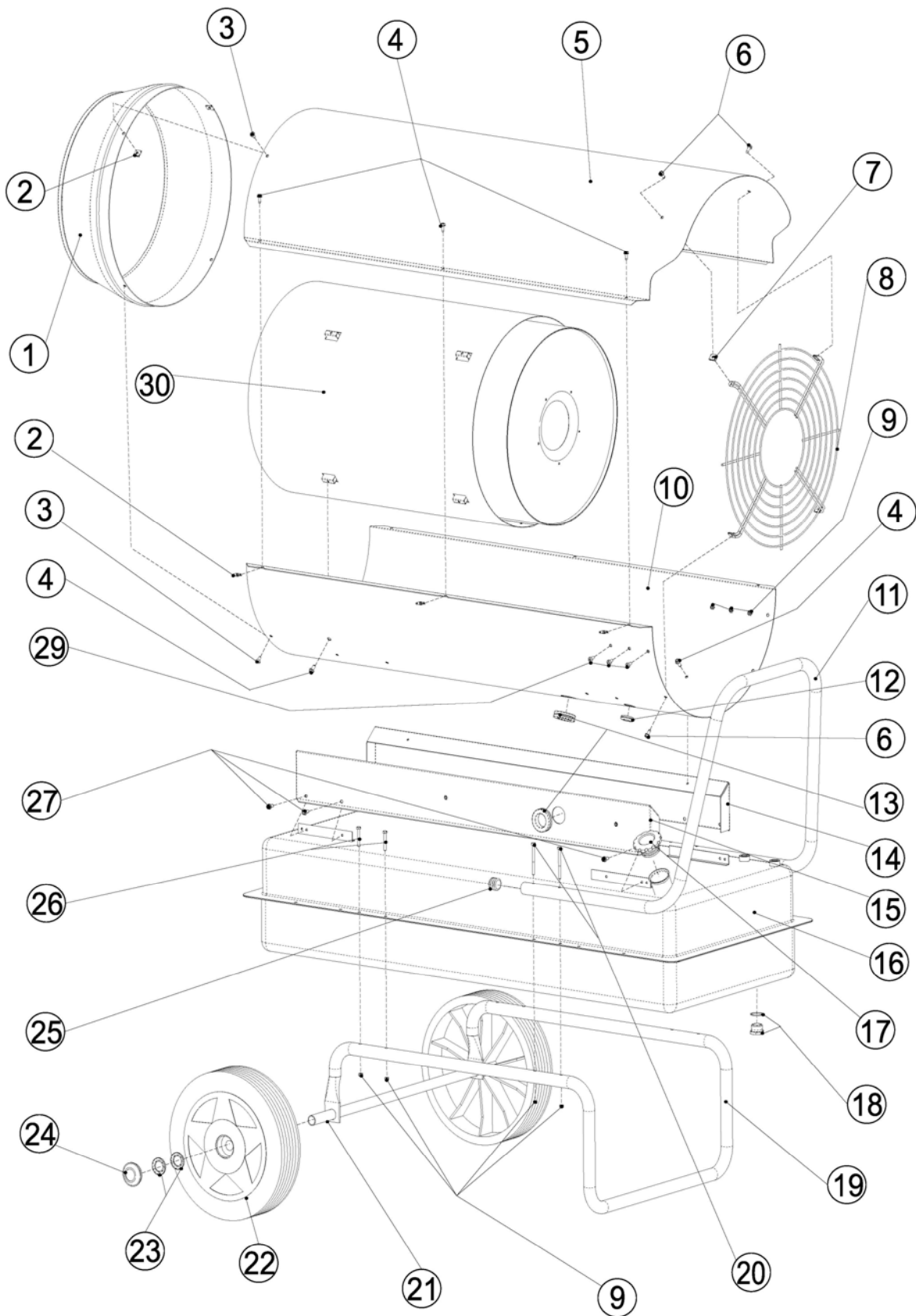


MASTER DIRECT OIL HEATERS

MODEL 225 CEE ELECTRIC ASSEMBLY

PARTS LIST

Key No.	Part number	Description
28	4160.995	SCREW TCC M5X10
50	4110.971	SPARK PLUG CONNECTOR L=850
65	4111.036	ELECTR. COMP. DRAWER
66	4111.270	GASKET "U"
67	4111.030	BRACKET, TRANSFORMER
68	4160.969	SCREW TCC 3,5X6,5
69	4110.965	TRANSFORMER
70	4160.994	SCREW TCC 3,5X38
71	4111.031	BRACKET, PC-BOARD SATRONIC
72	4111.032	RELAY FINDER
73	4111.051	PLASTIC BLOCKWIRE LEGRAND
74	4111.034	SCREW TCC 2,9X13
75	4111.033	TERMINAL BOARD FASTON
76	4111.028	BASE
77	4110.969	BASE (S98N7) PER TF974
78	4110.967	SUPPORT PG PHOTOCCELL
79	4110.968	CONTROL BOX BASE
80	4111.039	PILOT LAMP
81	4111.040	FUSE 10A 6,3X32MM
82	4111.038	BLOCKWIRE
83	4111.153	POWER CORD
84	4111.118	KIT PLUG
85	4111.119	KIT SOCKET
86	4160.604	SCREW TCC M3X10
87	4160.637	SWITCH WITH COVER
not shown	4111.120	KIT CABLES BASE PRE-ASS. B220/225/354/355

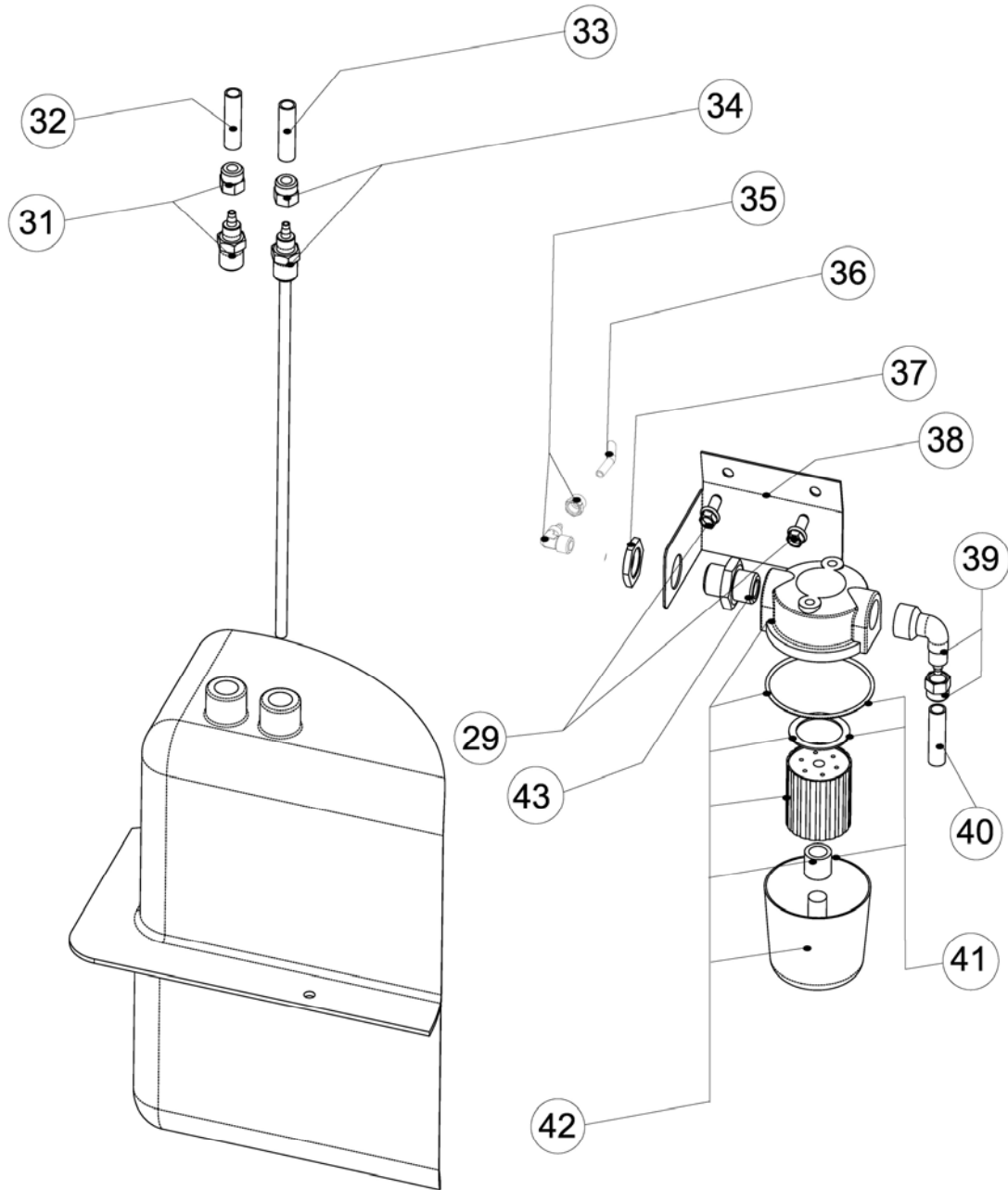


MASTER DIRECT OIL HEATERS

MODEL 355 CEE BODY

PARTS LIST

Key No.	Part number	Description
1	4111.234	OUTLET CONE
2	4104.170	CLIP NUTS
3	4160.607	SCREW TCC 4,8X9,5
4	4109.590	SCREW TEFR 4,8X13 W/OUT TIP
5	4110.987	UPPER BODY
6	4110.163	SCREW TE F/R 4,8X13
7	4111.241	DOUBLE PLATE FOR SCREWS
8	4110.975	REAR INLET GRILL
9	4110.143	NUT M5 HEXAGONAL
10	4110.988	LOWER BODY
11	4111.312	FRAME HANDLE
12	4160.646	BUSHING NYLON
13	4111.056	BUSHING PVC BLACK
14	4110.990	BASE RIGHT
15	4111.054	BASE LEFT
16	4110.961	FUEL TANK
17	4110.962	TANK PLUG BLACK
18	4031.013	DRAIN PLUG
19	4111.310	FRAME BEARING
20	4111.078	SCREW TE M5X60
21	4111.311	AXLE WHEEL
22	4110.978	WHEEL BLACK D.300
23	4111.072	WHEEL HOLDER 20 mm
24	4110.129	PLUG WHEEL BLACK
25	4111.057	PLUG PVC BLACK D.25
26	4111.077	SCREW TE M5X35
27	4110.517	SCREW TE F/R 5,5X13
29	4160.995	SCREW TCC M5X10
30	4110.991	COMBUSTION CHAMBER COMPLETE

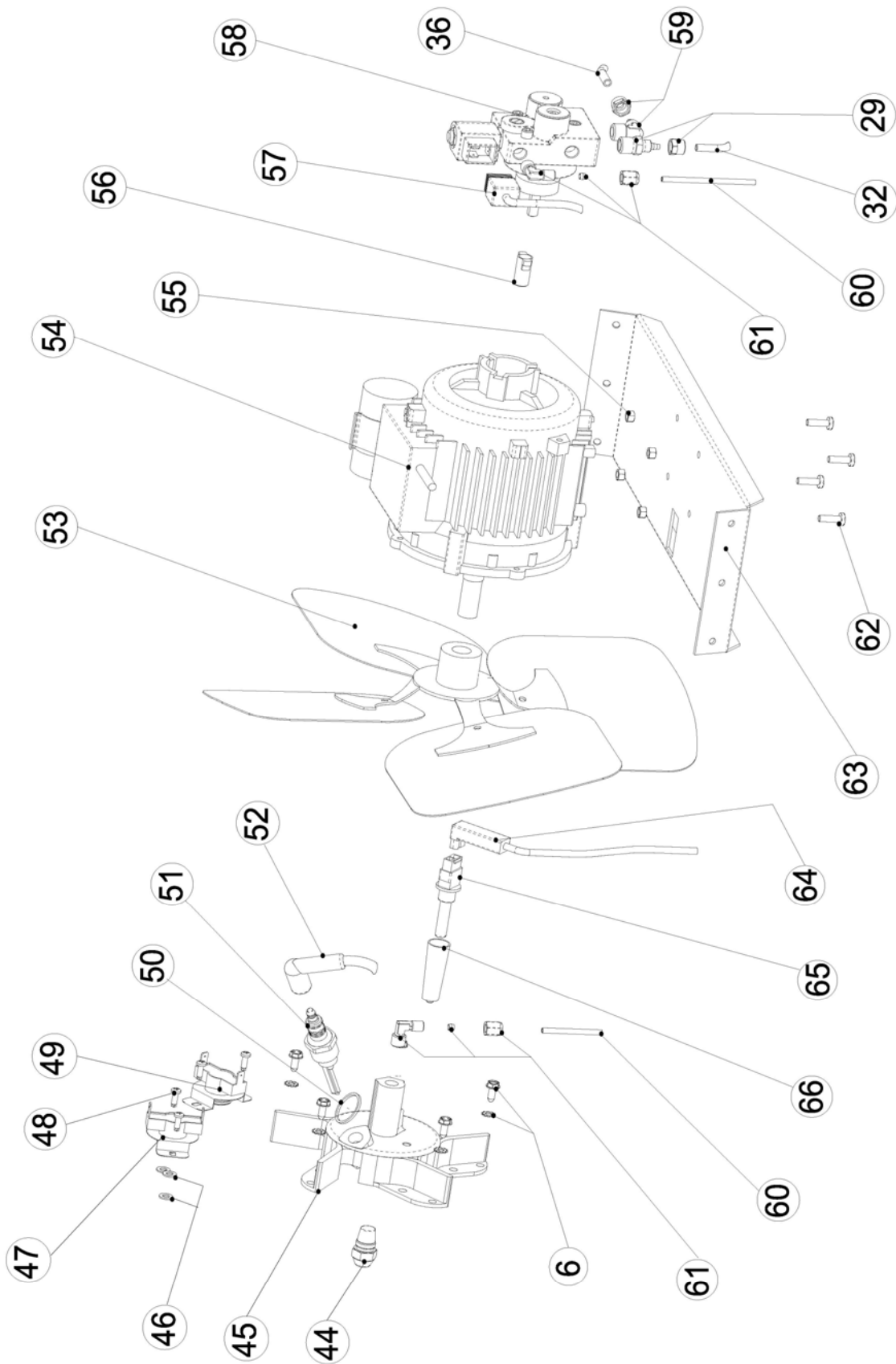


MASTER DIRECT OIL HEATERS

MODEL 355 CEE FILTER

PARTS LIST

Key No.	Part number	Description
29	4160.995	SCREW TCC M5X10
31	4031.160	CONNECTOR
32	4111.050	FUEL PIPE 6MM POMP-TANK
33	4111.026	FUEL PIPE 6MM TANK-FILTER
34	4031.148	PIPE CONN. 1/4" MX6
35	4111.273	CONNECTION
36	4111.043	FUEL PIPE 6MM FILTER-POMP
37	4031.800	NUT 3/8"X5 BRASS
38	4111.046	FILTER SUPPORT BLACK
39	4031.803	CONNECTION
40	4111.026	FUEL PIPE 6MM TANK-FILTER
41	4111.116	KIT FILTER PACKINGS
42	4111.045	FILTER COMPLETE
43	4031.802	DUBBLE SCREW



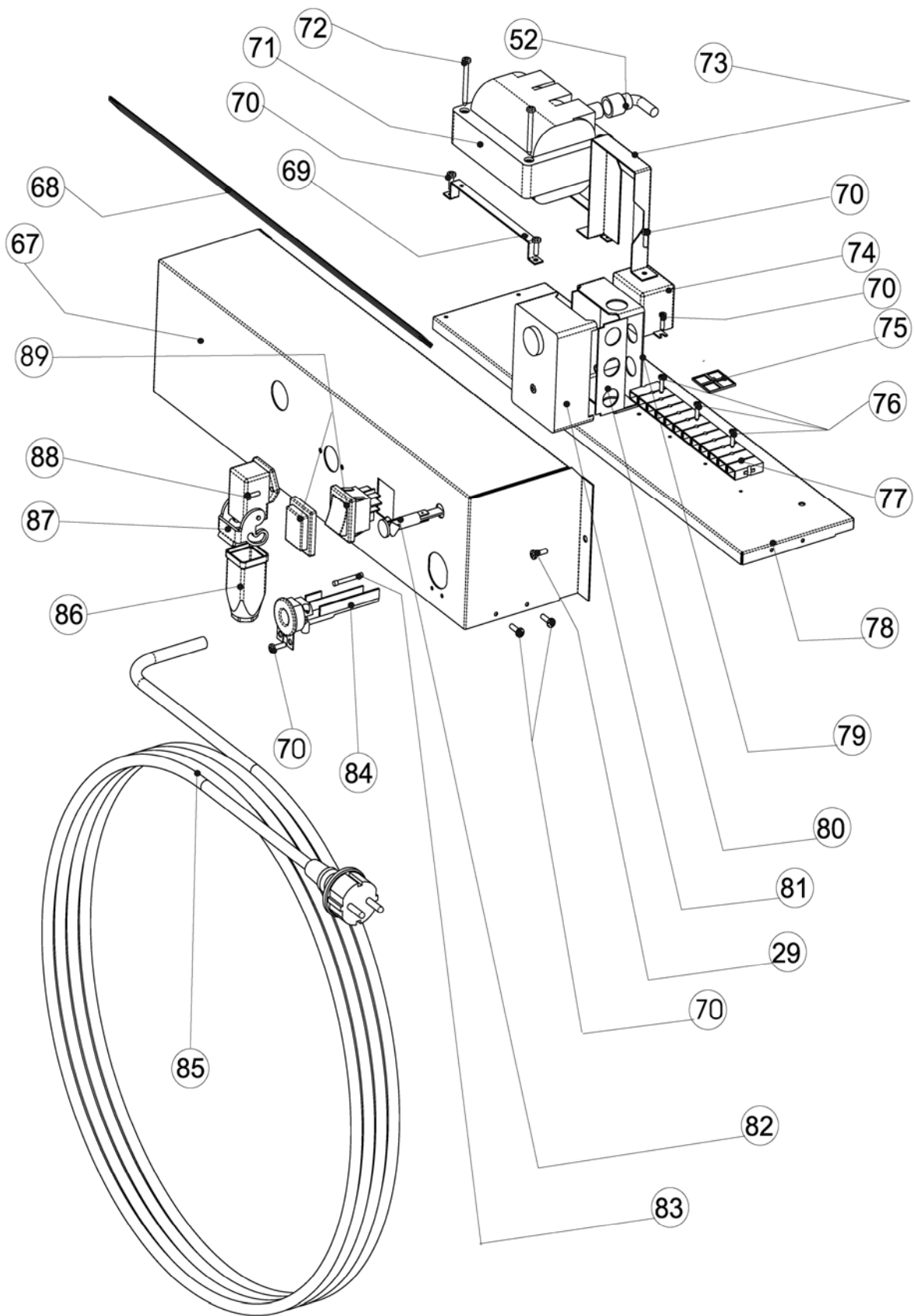
MASTER DIRECT OIL HEATERS

MODEL 355 CEE MOTOR PUMP FAN

PARTS LIST

Key No.	Part number	Description
6	4110.163	SCREW TE F/R 4,8X13
29	4160.995	SCREW TCC M5X10
32	4111.050	FUEL PIPE 6MM POMP-TANK
36	4111.043	FUEL PIPE 6MM FILTER-POMP
44	4111.134	NOZZLE 1,25 GPH 60°S
45	4111.235	BURNER HEAD BODY
46	4160.615	SPARK PLUG GASKET
47	4031.047	OVERHEAT THERMOSTAT
48	4161.956	SCREW TCC 3,9X13
49	4031.045	COOL-OFF THERMOSTAT
50	4100.526	SPARK PLUG GASKET
51	4101.846	SPARK PLUG
52	4110.971	SPARK PLUG CONNECTOR L=850
53	4110.974	FUN
54	4110.973	MOTOR 750W 230V
55	4111.104	NUT M6
56	4111.081	PUMP CONNECTOR
57	4110.963	POWER CORD. ELETTRIVALV.
58	4111.042	PUMP
59	4111.274	CONNECTION
60	4111.049	BRANCH TUBE D.4X0.75 L=850
61	4161.140	CONNECTOR
62	4111.044	SCREW TE M5X16
63	4110.977	MOTOR SUPPORT
64	4110.970	CONNECTOR CORD FOR PHOTOCELL
65	4111.237	PHOTOCELL
66	4111.064	PHOTOCELL SEPARATION

MODEL 355 CEE ELECTRIC ASSEMBLY ILLUSTRATED PARTS BREAKDOWN



MASTER DIRECT OIL HEATERS

MODEL 355 CEE ELECTRIC ASSEMBLY

PARTS LIST

Key No.	Part number	Description
29	4160.995	SCREW TCC M5X10
52	4110.971	SPARK PLUG CONNECTOR L=850
67	4111.036	ELECTR. COMP. DRAWER
68	4111.270	GASKET "U"
69	4111.030	BRACKET, TRANSFORMER
70	4160.969	SCREW TCC 3,5X6,5
71	4110.965	TRANSFORMER
72	4160.994	SCREW TCC 3,5X38
73	4111.031	BRACKET, PC-BOARD SATRONIC
74	4111.032	RELAY FINDER
75	4111.051	PLASTIC BLOCKWIRE LEGRAND
76	4111.034	SCREW TCC 2,9X13
77	4111.033	TERMINAL BOARD FASTON
78	4111.028	BASE
79	4110.969	BASE FOR TF974
80	4110.967	SUPPORT PG PHOTOCELL
81	4110.968	CONTROL BOX BASE
82	4111.039	PILOT LAMP
83	4111.040	FUSE 10A 6,3X32MM
84	4111.038	BLOCKWIRE
85	4111.153	POWER CORD
86	4111.118	KIT PLUG
87	4111.119	KIT SOCKET
88	4160.604	SCREW TCC M3X10
89	4160.637	SWITCH WITH COVER
not shown	4111.120	KIT CABLES BASE PRE-ASS. B220/225/354/355