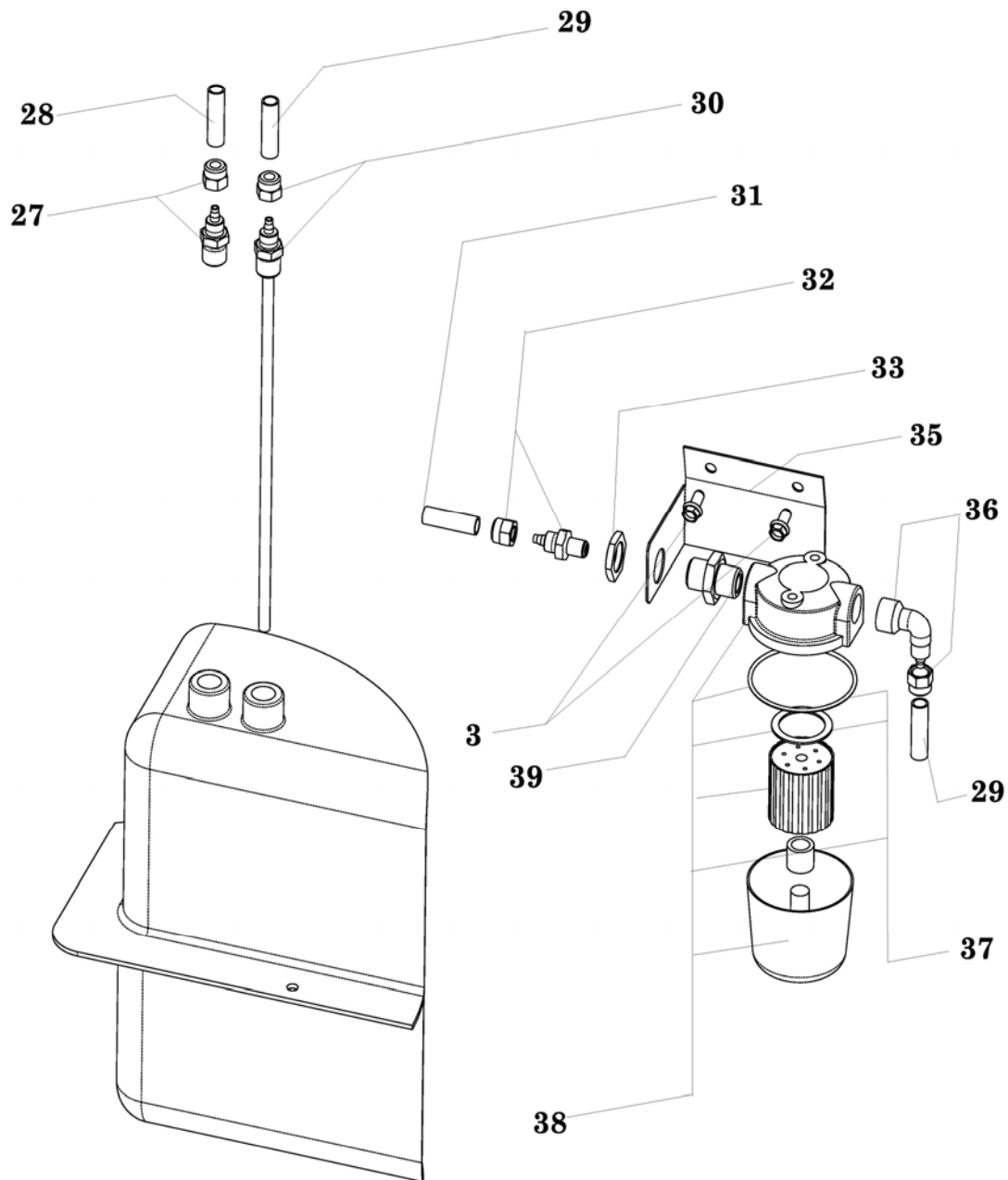


MASTER DIRECT OIL HEATERS

**MODEL 220 CEE BODY**

**PARTS LIST**

<b>Key No.</b>	<b>Part number</b>	<b>Description</b>
1	4110.991	COMBUSTION CHAMBER
2	4109.590	HEX SCREW
3	4110.517	SCREW TE F/R 5,5X13
4	4110.987	SHELL UPPER
5	4110.124	HEX HD SCREW
6	4111.058	BRACKET GRILL
7	4110.975	GRILL
8	4161.905	CLIP NUTS
9	4110.988	SHELL LOWER
10	4160.646	BUSCHING PVC BLACK
11	4111.129	HANDLE
12	4110.625	FUEL TANK COMPLETE
13	4031.013	DRAIN PLUG
14	4111.131	WHELL SUPPORT
15	4110.143	NUT M5 AUTO BLOCK
16	4111.132	AXLE
17	4110.978	WHEEL D.300
18	4110.129	PLUG WHEEL BLACK
19	4111.072	WHEEL HOLDER D.20
20	4111.078	SCREW TE M5X60
21	4111.057	COVER HEAD PVC BLACK D.25
22	4111.077	SCREW TE M5X35
23	4110.962	TANK PLUG
24	4111.056	BUSCHING PVC BLACK
25	4111.135	BASE CONTROL BOX
26	4111.136	BASE



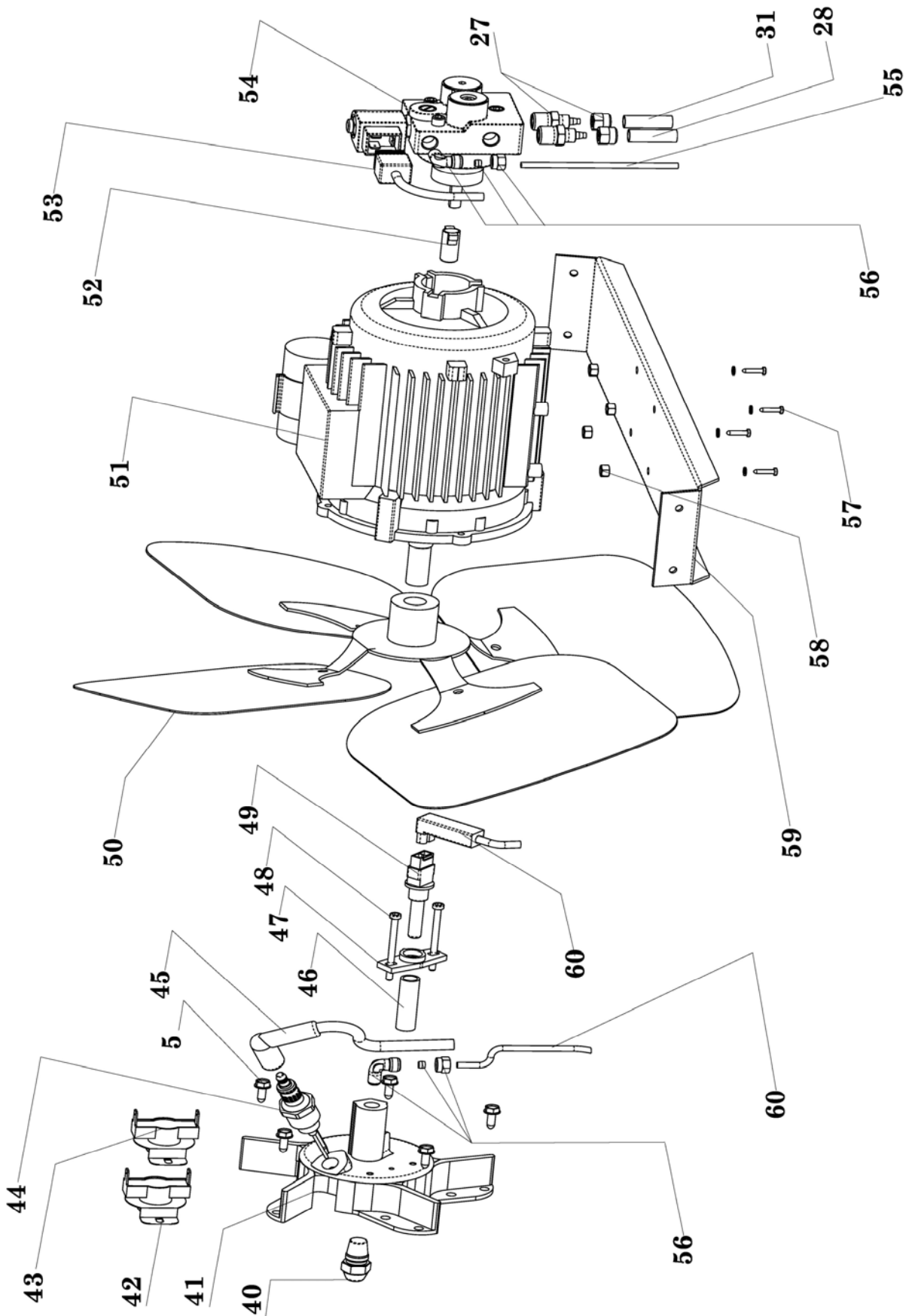
MASTER DIRECT OIL HEATERS

**MODEL 220 CEE FILTER**

**PARTS LIST**

<b>Key No.</b>	<b>Part number</b>	<b>Description</b>
3	4110.517	SCREW TE F/R 5,5X13
27	4111.048	CONNECTION STRAIGHT D.6/4
28	4111.050	FLEX FUEL PIPE PUMP-TANK
29	4111.026	FLEX FUEL PIPE TANK-FILTER
30	4031.148	PIPE CONN. 1/4" MX6
31	4111.043	FLEX FUEL PIPE FILTER-PUMP
32	4031.160	CONNECTOR
33	4031.800	NUT 3/8"X5
35	4111.046	BRACKET SUPP. FUEL FILTER
36	4031.803	CONNECTION 90° 3/8 MX6
37	4111.116	KIT FILTER PACKINGS
38	4111.045	FUEL FILTER 3/8
39	4031.802	SCREW DOUBLE

MODEL 220 CEE MOTOR / PUMP / FAN ILLUSTRATED PARTS BREAKDOWN



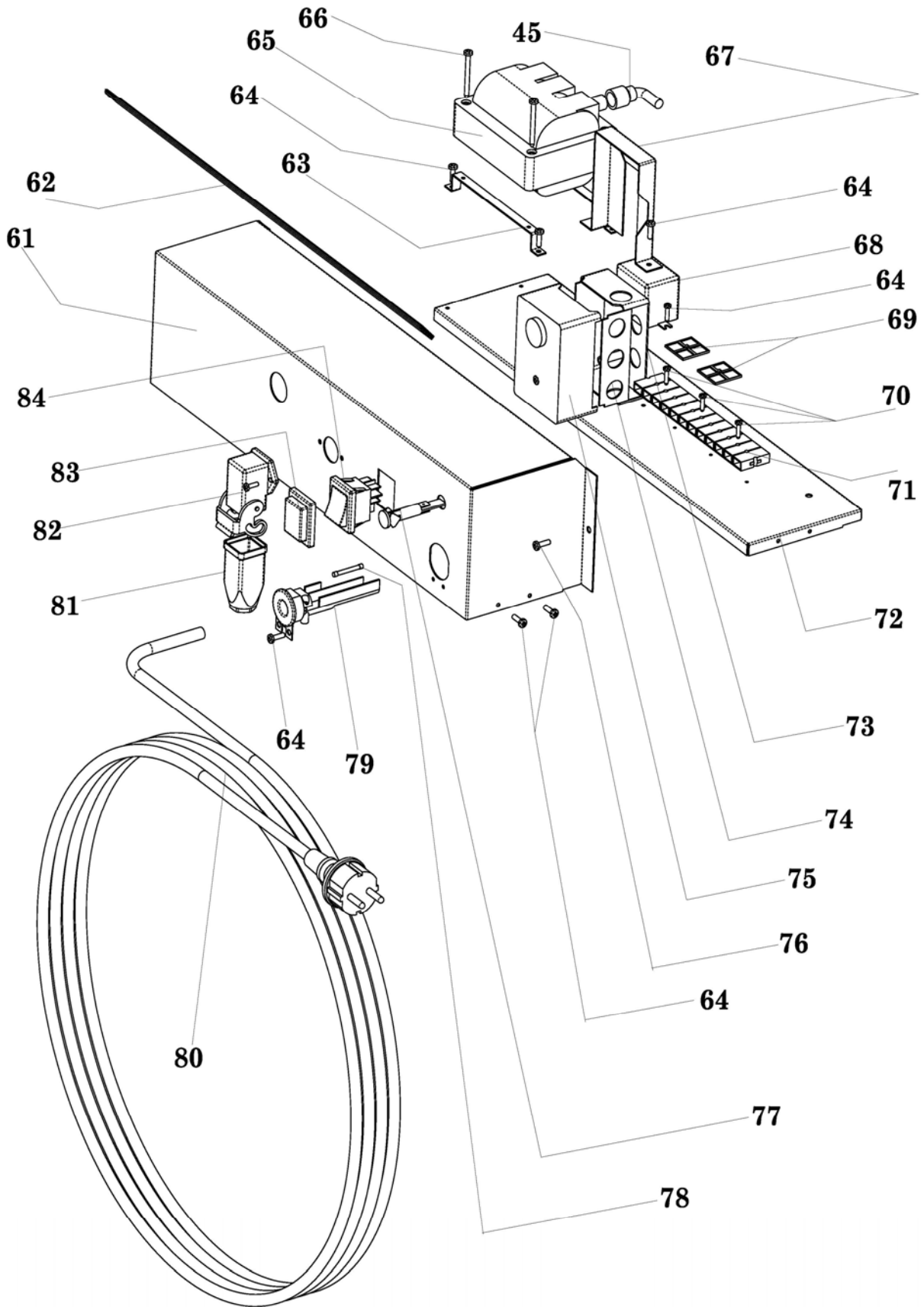
MASTER DIRECT OIL HEATERS

**MODEL 220 CEE MOTOR PUMP FAN**

**PARTS LIST**

<b>Key No.</b>	<b>Part number</b>	<b>Description</b>
5	4110.124	HEX HD SCREW
27	4111.048	CONNECTION STRAIGHT D.6/4
28	4111.050	FLEX FUEL PIPE PUMP-TANK
31	4111.043	FLEX FUEL PIPE FILTER-PUMP
40	4111.192	NOZZLE 1,65 GPH 60°S
41	4110.994	BODY BURNER
42	4031.047	OVERHEAT THERMOSTAT
43	4031.045	COOL-OFF THERMOSTAT
44	4101.846	SPARK PLUG
45	4110.971	SPARK PLUG WIRE L=850
46	4111.064	PHOTOCELL SEPARATION
47	4111.076	SUPPORT
48	4111.075	SCREW TE M4X55
49	4110.966	PHOTOCELL
50	4110.974	FAN
51	4110.973	MOTOR 750W 230V
52	4111.081	COUPLING SIMEL
53	4110.963	WIRE CONN. ELETTRVALV. L=900MM
54	4111.042	FUEL PUMP
55	4111.049	COPPER PIPE D.4X0.75 L=850
56	4161.140	ELBOW
57	4111.044	SCREW TE M5X16
58	4111.104	NUTE M6
59	4110.977	BRACKET SUPP.MOTOR
60	4110.970	WIRE CONN. PHOTOCELL L=700

MODEL 220 CEE ELECTRIC ASSEMBLY ILLUSTRATED PARTS BREAKDOWN



MASTER DIRECT OIL HEATERS

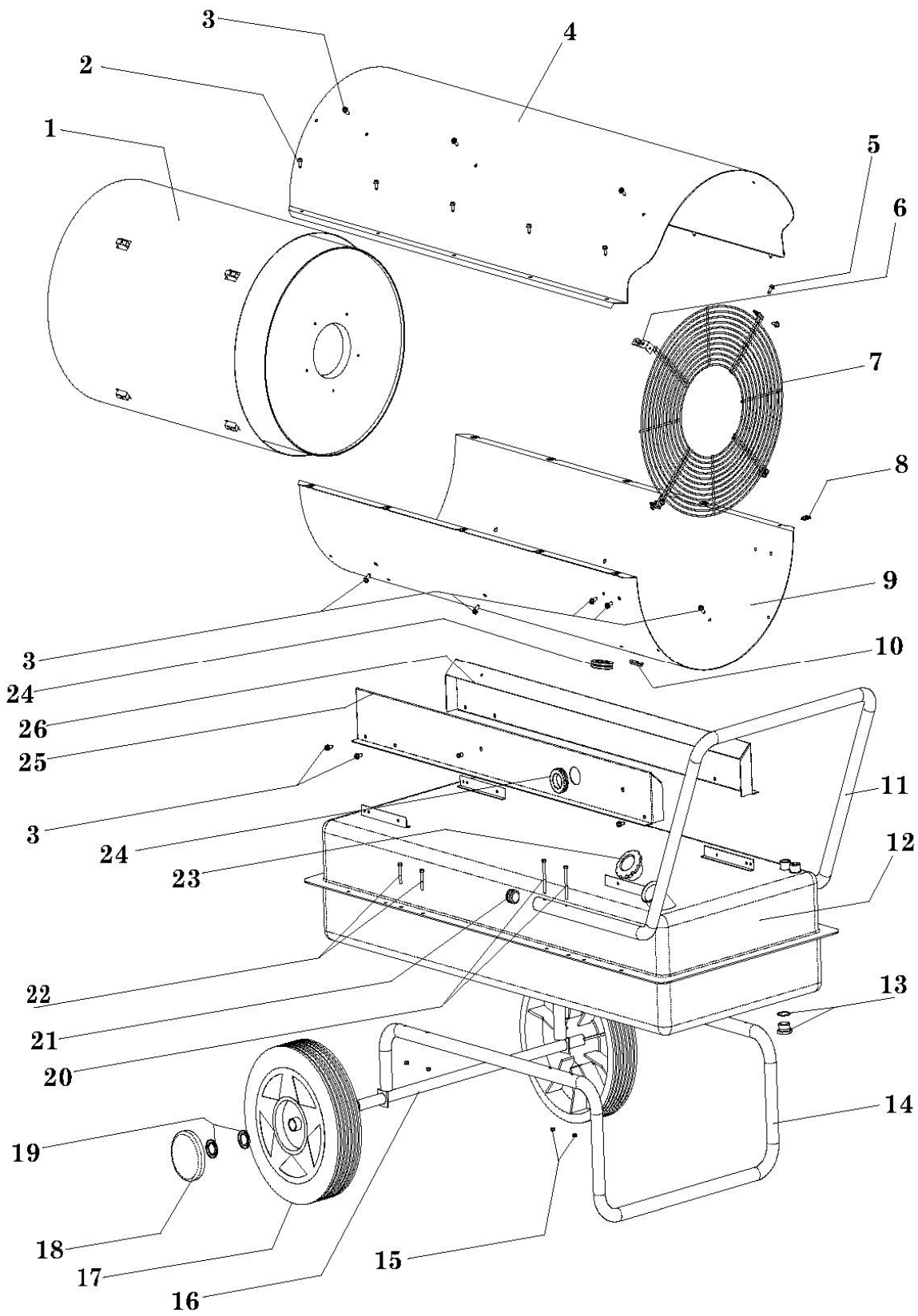
**MODEL 220 CEE ELECTRIC ASSEMBLY**

**PARTS LIST**

<b>Key No.</b>	<b>Part number</b>	<b>Description</b>
45	4110.971	SPARK PLUG WIRE L=850
61	4111.036	ELECTRONIC CONTROL
62	4110.153	EDGE LINER
63	4111.030	BRACKET, TRANSFORMER
64	4160.969	SCREW AUTOF. TCC 3,5X6,5
65	4110.965	TRASFORMER
66	4160.994	SCREW TCC 3,5X38
67	4111.031	BRACKET, PC-BOARD SATRONIC
68	4111.032	RELAY FINDER
69	4111.051	PLASTIC WIRE STOPPER LEGRAND
70	4111.034	SCREW TCC 2,9X13
71	4111.033	TERMINAL BOARD 12 PIN
72	4111.117	BASE
73	4110.969	BASE (S98N7) PER TF974
74	4110.967	SUPPORT PG PHOTOCCELL
75	4110.968	CONTROL BOX BASE
76	4161.315	SCREW TE M5X16
77	4111.039	PILOT LAMP
78	4111.040	FUSE 10A 6X32MM
79	4111.038	CABLE FASTER
80	4165.149	ELECTRICAL WIRE
81	4111.118	KIT PLUG
82	4111.119	KIT SOCKET
83	N/A	COVER SWITCH (see below)
84	4160.637	SWITCH WITH COVER
85	4111.120	KIT WIRE BASE

N/A – Parts not Available



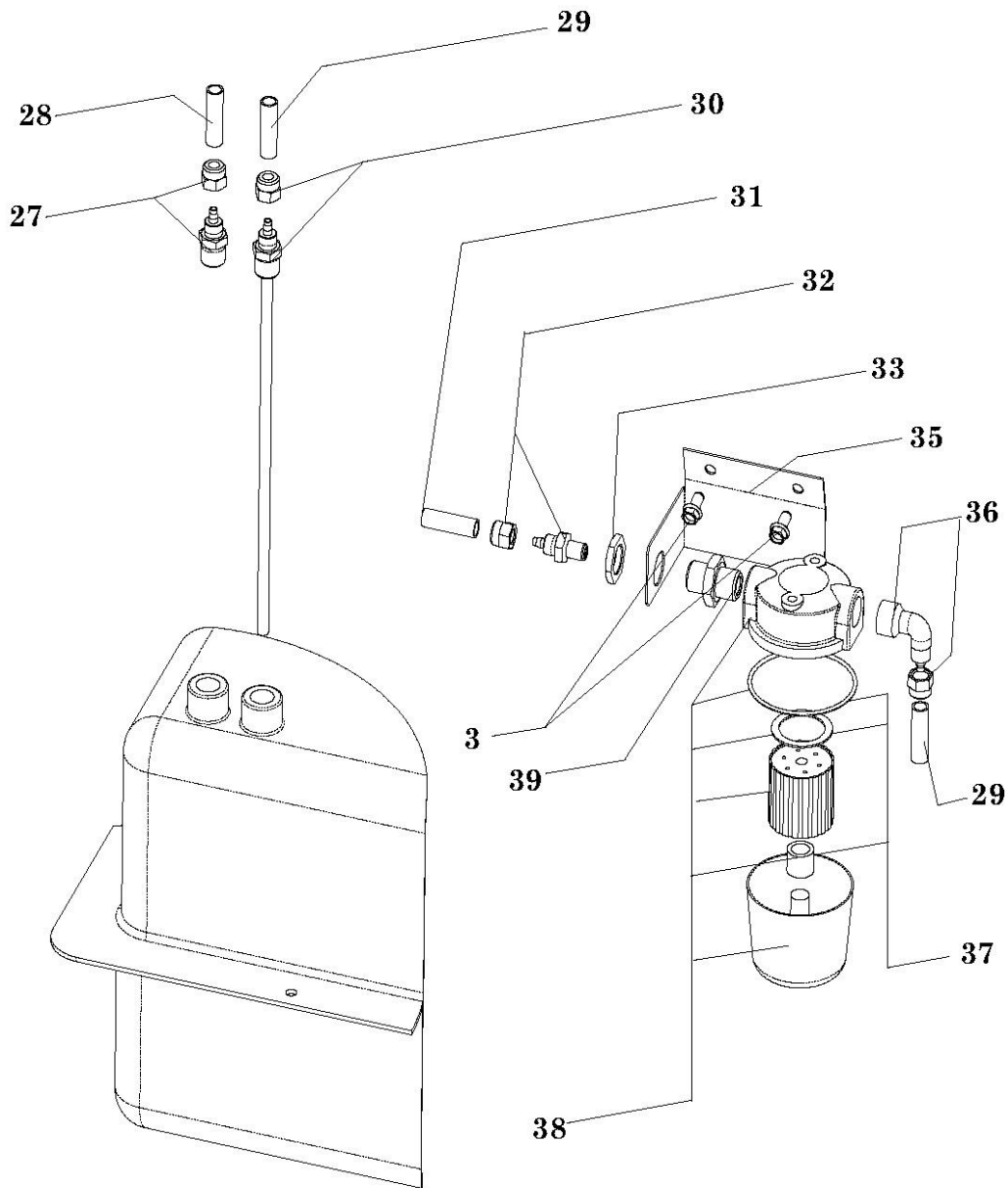


MASTER DIRECT OIL HEATERS

**MODEL 354 CEE BODY**

**PARTS LIST**

<b>Key No.</b>	<b>Part number</b>	<b>Description</b>
1	4110.991	COMBUSTION CHAMBER
2	4109.590	HEX SCREW
3	4110.517	SCREW AUTOF. TE F/R 5,5X13
4	4110.987	SHELL UPPER
5	4110.124	HEX HD SCREW
6	4111.058	BRACKET GRILL
7	4110.975	GRILL
8	4161.905	SHELL CONNECTOR
9	4110.988	SHELL LOWER
10	4160.646	BUSCHING PVC BLACK
11	4110.984	HANDLE
12	4110.961	FUEL TANK COMPLETE
13	4031.013	DRAIN PLUG
14	4110.980	WHELL SUPPORT
15	4110.143	NUT M5 AUTO BLOCK
16	4110.982	AXLE
17	4110.978	WHEEL D.300
18	4110.129	PLUG WHEEL BLACK
19	4111.072	WHEEL HOLDER D.20
20	4111.078	SCREW TE M5X60
21	4111.057	COVER HEAD PVC BLACK D.25
22	4111.077	SCREW TE M5X35
23	4110.962	TANK PLUG
24	4111.056	BUSCHING PVC BLACK
25	4111.115	BASE CONTROL BOX
26	4110.990	BASE

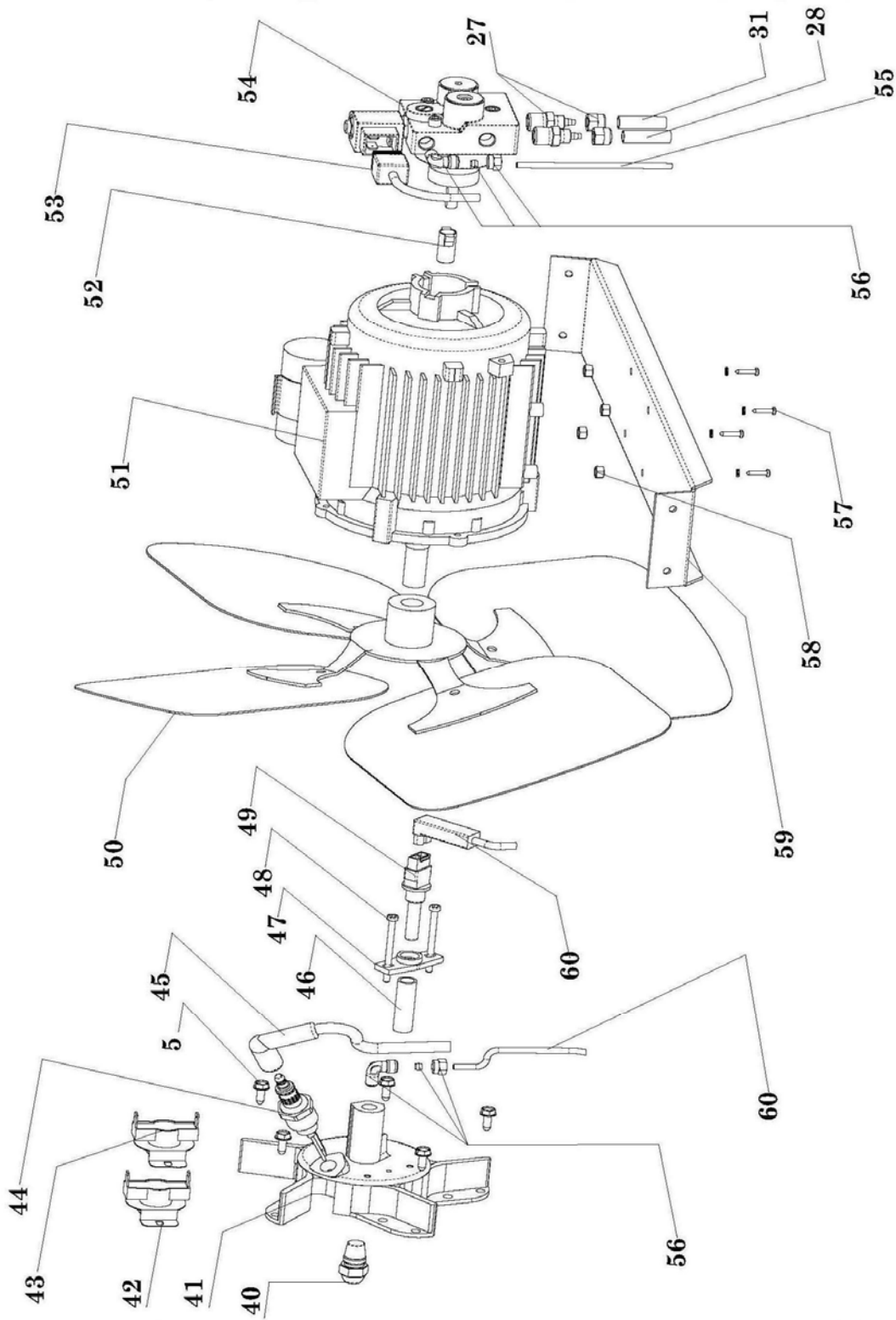


MASTER DIRECT OIL HEATERS

**MODEL 354 CEE FILTER**

**PARTS LIST**

<b>Key No.</b>	<b>Part number</b>	<b>Description</b>
3	4110.517	SCREW AUTOF. TE F/R 5,5X13
27	4111.048	CONNECTION STRAIGHT D.6/4
28	4111.050	FLEX FUEL PIPE PUMP-TANK
29	4111.026	FLEX FUEL PIPE TANK-FILTER
30	4031.148	PIPE CONN. 1/4" MX6
31	4111.043	FLEX FUEL PIPE FILTER-PUMP
32	4031.160	CONNECTOR
33	4031.800	NUT 3/8"X5
35	4111.046	BRACKET SUPP. FUEL FILTER
36	4031.803	CONNECTION 3/8 MX6
37	4111.116	FILTER KIT
38	4111.045	FUEL FILTER
39	4031.802	SCREW DOUBLE



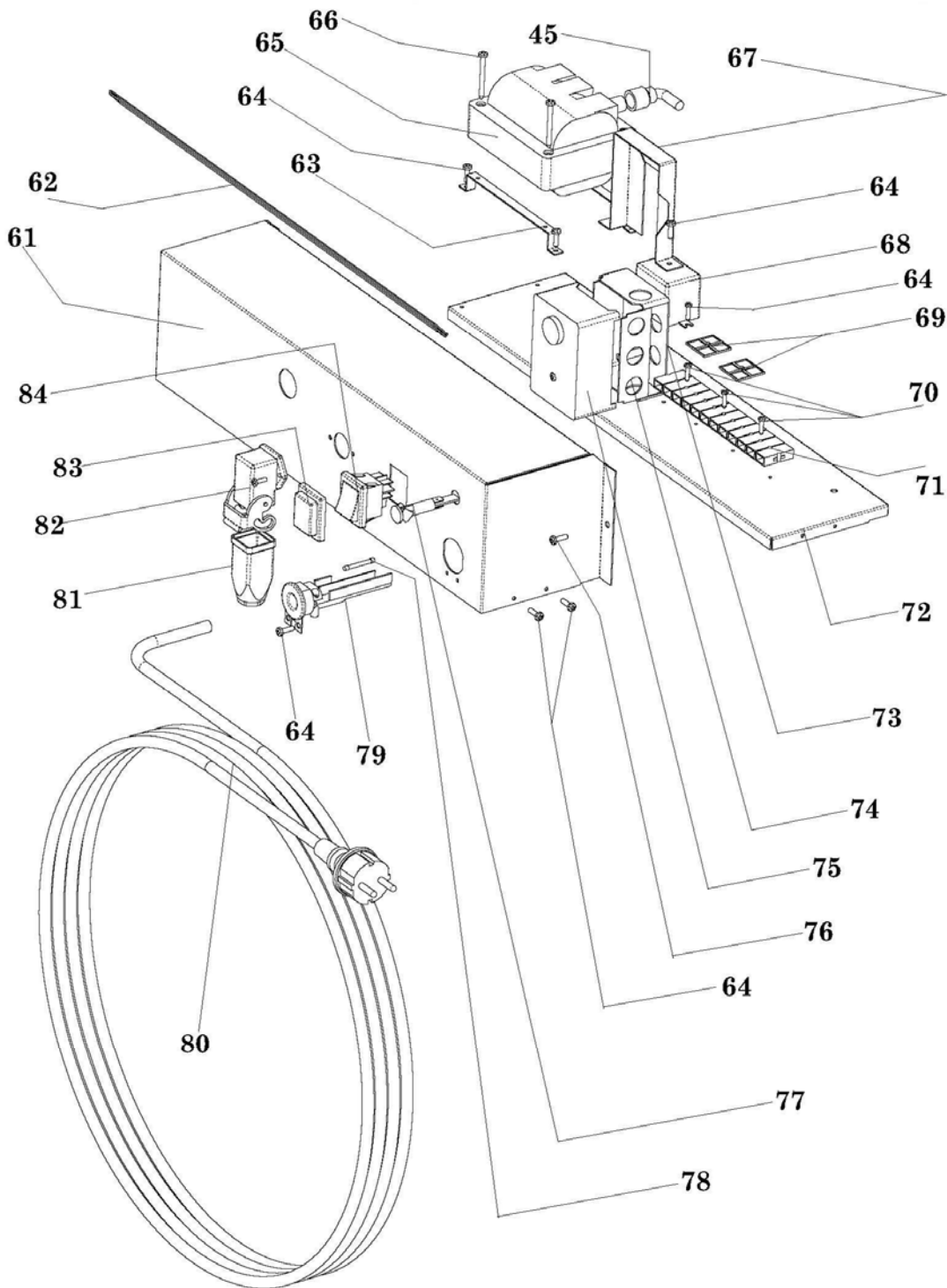
MASTER DIRECT OIL HEATERS

**MODEL 354 CEE MOTOR PUMP FAN**

**PARTS LIST**

<b>Key No.</b>	<b>Part number</b>	<b>Description</b>
5	4110.124	HEX HD SCREW
27	4111.048	CONNECTION STRAIGHT D.6/4
28	4111.050	FLEX FUEL PIPE PUMP-TANK
31	4111.043	FLEX FUEL PIPE FILTER-PUMP
40	4111.134	NOZZLE
41	4110.994	BODY BURNER
42	4031.047	OVERHEAT THERMOSTAT
43	4031.045	COOL-OFF THERMOSTAT
44	4101.846	SPARK PLUG
45	4110.971	SPARK PLUG WIRE L=850
46	4111.064	PHOTOCELL FLANGE
47	4111.076	SUPPORT MZ 770 S
48	4111.075	SCREW TE M4X55
49	4110.966	PHOTOCELL
50	4110.974	FAN D.420MM-4 PALE 18
51	4110.973	MOTOR 750W 230V
52	4111.081	COUPLING SIMEL V1409
53	4110.963	WIRE CONN. ELETTRIVALV.
54	4111.042	FUEL PUMP
55	4111.049	COPPER PIPE
56	4161.140	ELBOW 90 M.M. 1/8"
57	4111.044	SCREW TE M5X16
58	4111.104	NUT M6
59	4110.977	BRACKET SUPP.MOTOR
60	4110.970	WIRE CONN. PHOTOCELL

MODEL 354 CEE ELECTRIC ASSEMBLY ILLUSTRATED PARTS BREAKDOWN



MASTER DIRECT OIL HEATERS

**MODEL 354 CEE ELECTRIC ASSEMBLY**

**PARTS LIST**

<b>Key No.</b>	<b>Part number</b>	<b>Description</b>
45	4110.971	SPARK PLUG WIRE L=850
61	4111.036	ELECTRONIC CONTROLL BOX
62	4110.153	EDGE LINER
63	4111.030	BRACKET, TRANSFORMER
64	4160.969	SCREW AUTOF. TCC 3,5X6,5
65	4110.965	TRASFORMER
66	4160.994	SCREW AUTOF. TCC 3,5X3
67	4111.031	BRACKET PC-BOARD
68	4111.032	RELAY FINDER
69	4111.051	PLASTIC WIRE STOPPER
70	4111.034	SCREW AUTOF. TCC 2,9X13
71	4111.033	TERMINAL BOARD 12 PIN
72	4111.117	BASE
73	4110.969	BASE FOR TF974
74	4110.967	SUPPORT PG PHOTOCELL
75	4110.968	CONTROL BOX
76	4161.315	SCREW TE M5X16
77	4111.039	PILOT LAMP
78	4111.040	FUSE 10A 6X32MM
79	4111.038	CABLE FASTER
80	4165.149	ELECTRICAL WIRE
81	4111.118	PLUG
82	4111.119	SOCKET
83	N/A	COVER SWITCH (see below)
84	4160.637	SWITCH WITH COVER
85	4111.120	KIT WIRE BASE

N/A – Parts not Available