

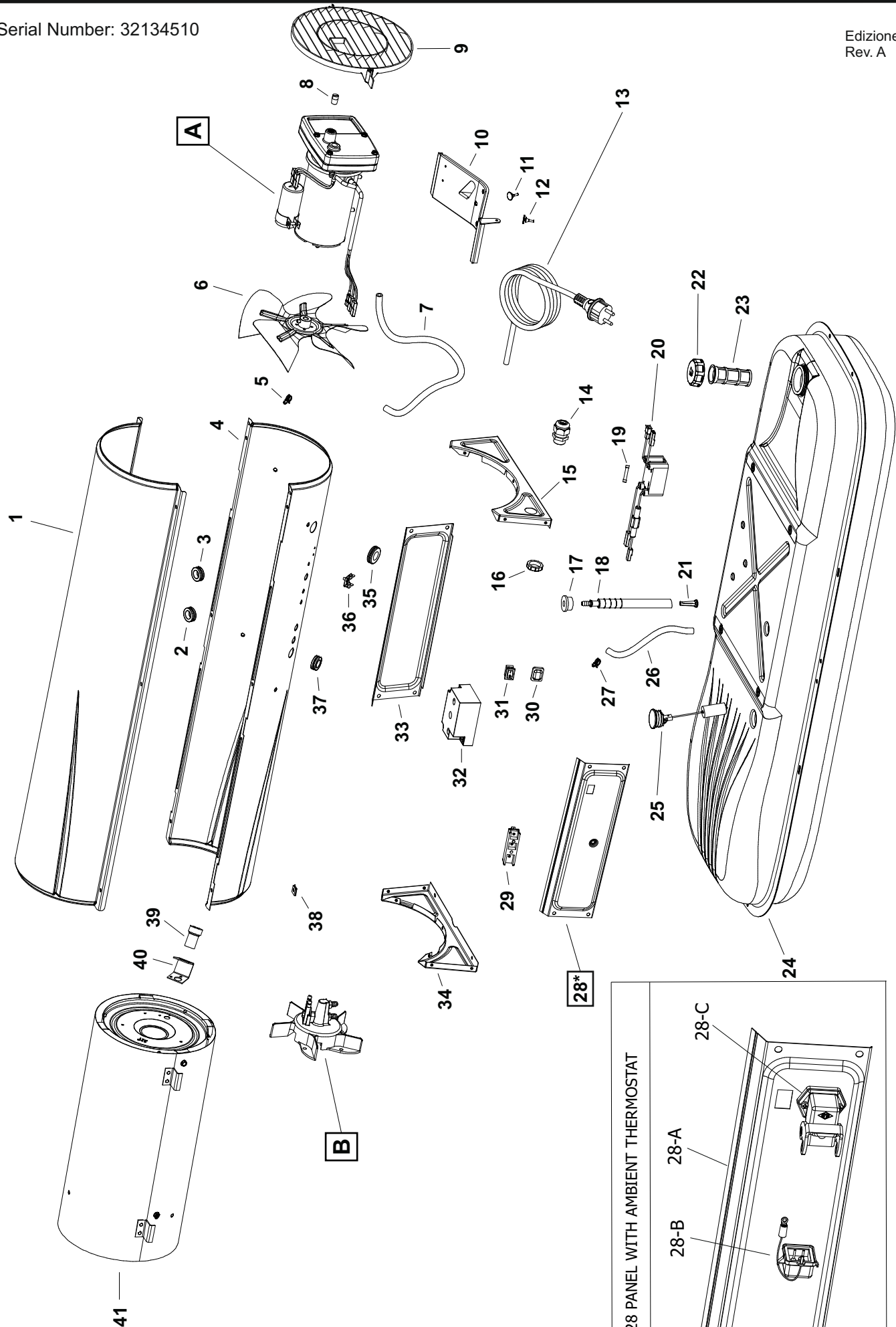
B 150 CED MODEL 2013

UNIT 1

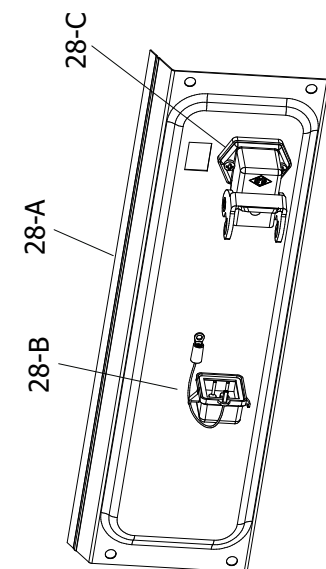
ILLUSTRATED PARTS BREAKDOWN

Edizione 2013
Rev. A

From Serial Number: 32134510



28 PANEL WITH AMBIENT THERMOSTAT



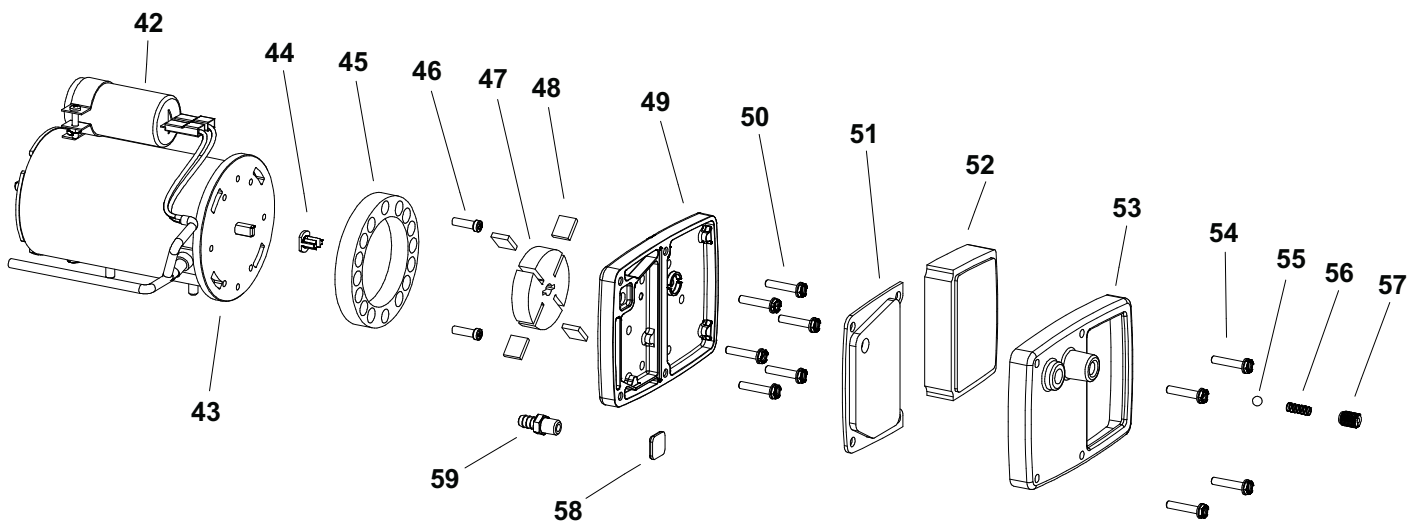
*

B 150 CED MODEL 2013

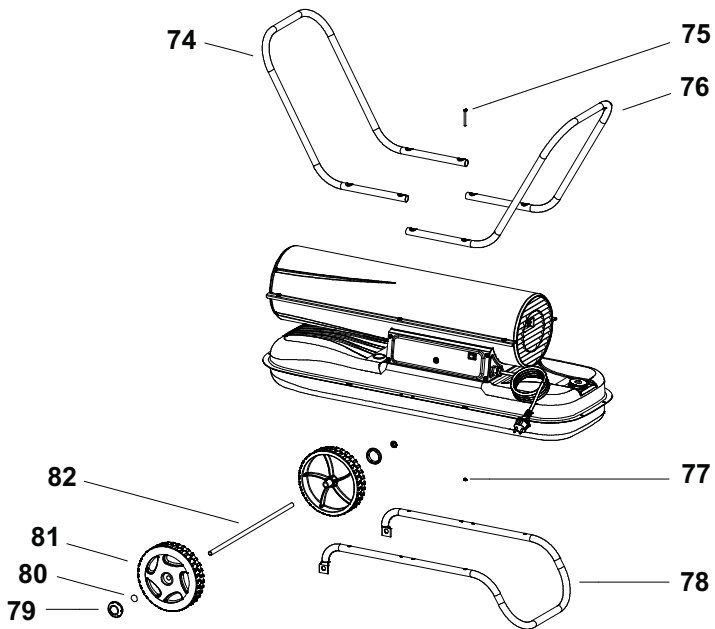
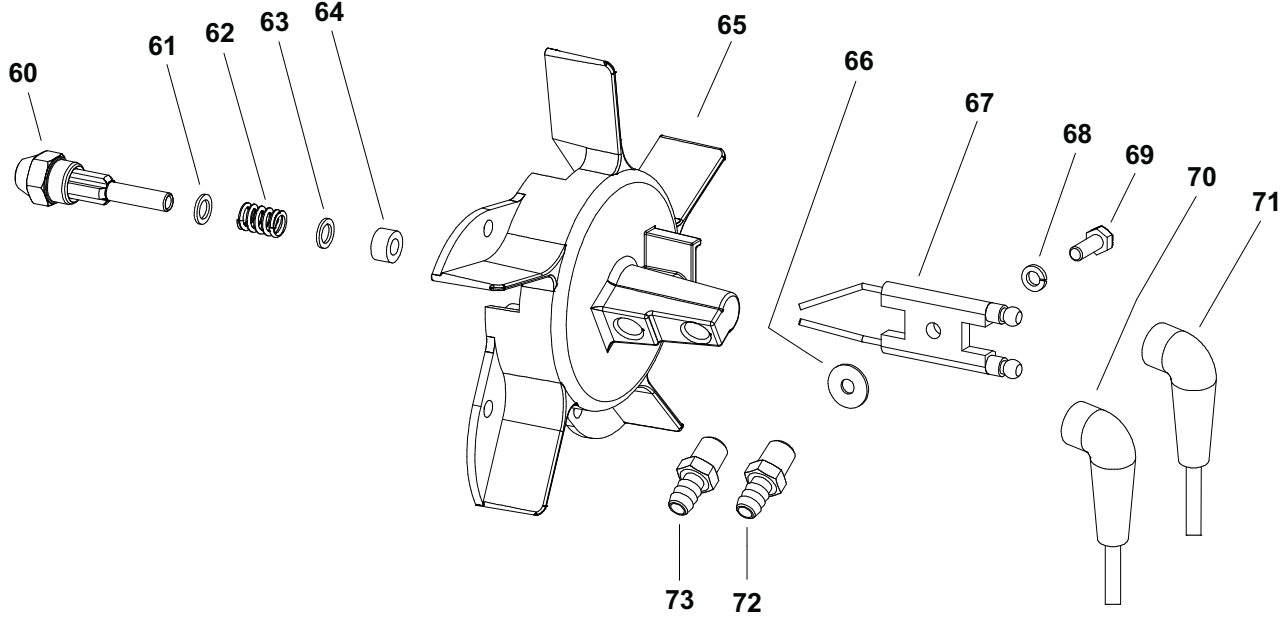
UNIT 2

ILLUSTRATED PARTS BREAKDOWN

A



B



Pos.	Code NR	Description
1	4110.360	UPPER SHELL
2	4101.151	GROMMET
3	4101.151	GROMMET
4	4110.359	LOWER SHELL
5	4110.159	CLAMP
6	4105.062	FAN
7	4104.147	AIR LINE
8	4102.125	PRESSURE GAUGE CAP
9	4103.695	FAN GUARD
10	4101.240	MOTOR BRACKET
11	4150.553	BUMPER
12	4150.553	BUMPER
13	4110.451	POWER CORD
13-A	4111.811	POWER CORD NEW ZEALAND
13-B	4110.464	POWER CORD UK
14	4150.528	STRAIN RELIEF
15	4110.353	REAR FRAME BRACKET
16	4100.656	LOCKNUT
17	4100.541	RUBBER BUSHING
18	4110.355	FUEL LINE
19	4101.864	FUSE
20	4104.193	FLAME-OUT CONTROL
21	4110.356	FUEL FILTER
22	4260.007	FUEL TANK CAP
23	4290.026	FUEL TANK FILTER
24	4110.345	FUEL TANK
25	4260.017	FUEL GAUGE CED
26	4110.032	FUEL LINE
27	4110.159	CLAMP
28-A	4100.513	LEFT PANEL FOR AMBIENT THERMOSTAT
28-B	4162.467	CAP FOR THERMOSTAT SOCKET
28-C	4111.119	THERMOSTAT SOCKET
29	4106.110	TERMINAL BOARD
30	4104.336	COVER SWITCH
31	4106.179	ON/OFF SWITCH
32	4111.885	ELECTRONIC IGNITOR
33	4110.379	RIGHT PANEL
34	4110.354	FRONT FRAME BRACKET
35	4160.646	GROMMET
36	4160.639	RIVET POP
37	4101.151	GROMMET
38	4104.170	CLIP NUT
39	4110.564	PHOTOCELL ASSEMBLY
40	4100.659	PHOTOCELL BRACKET
41	4110.595	COMBUSTION CHAMBER
42	4111.855	CAPACITOR 10UF
42	4110.294	CAPACITOR 8UF

Pos.	Code NR	Description
43	4110.452	MOTOR 1/4 HP
44	4108.635	INSERT
45	4101.532	PUMP BODY
46	4108.590	PUMP BODY SCREW
47	4103.441	ROTOR
48	4101.666	BLADE
49	4101.325	PUMP END COVER
50	4108.536	SCREW/LOCKWASHER
51	4101.341	OUTPUT FILTER
52	4101.358	INTAKE FILTER
53	4108.643	END COVER
54	4108.528	SCREW/LOCKWASHER
55	4108.379	STEEL BALL
56	4102.141	PRESSURE RELIEF SPRING
57	4102.133	ADJUSTING SCREW
58	4101.333	LINT FILTER
59	4104.118	BARB FITTING
60	4103.898	NOZZLE
61	4100.525	WASHER
62	4100.533	NOZZLE SEAL SPRING
63	4100.525	WASHER
64	4101.622	NOZZLE SEAL SLEEVE
65	4110.377	BURNER HEAD BODY
66	4110.394	FIBER WASHER
67	4110.337	ELECTRODE
68	4110.393	WASHER
69	4110.363	SCREW
70	4111.831	HT CABLE
71	4111.831	HT CABLE
72	4104.118	BARB FITTING
73	4104.118	BARB FITTING
74	4110.368	HANDLE
75	4110.144	SCREW
76	4110.368	HANDLE
77	4110.143	LOCK NUT
78	4110.369	WHEEL SUPPORT FRAME
79	4110.129	CAP NUT
80	4110.162	WASHER
81	4110.084	WHEEL
82	4110.370	AXLE