



**IPC Integrated Professional Cleaning**

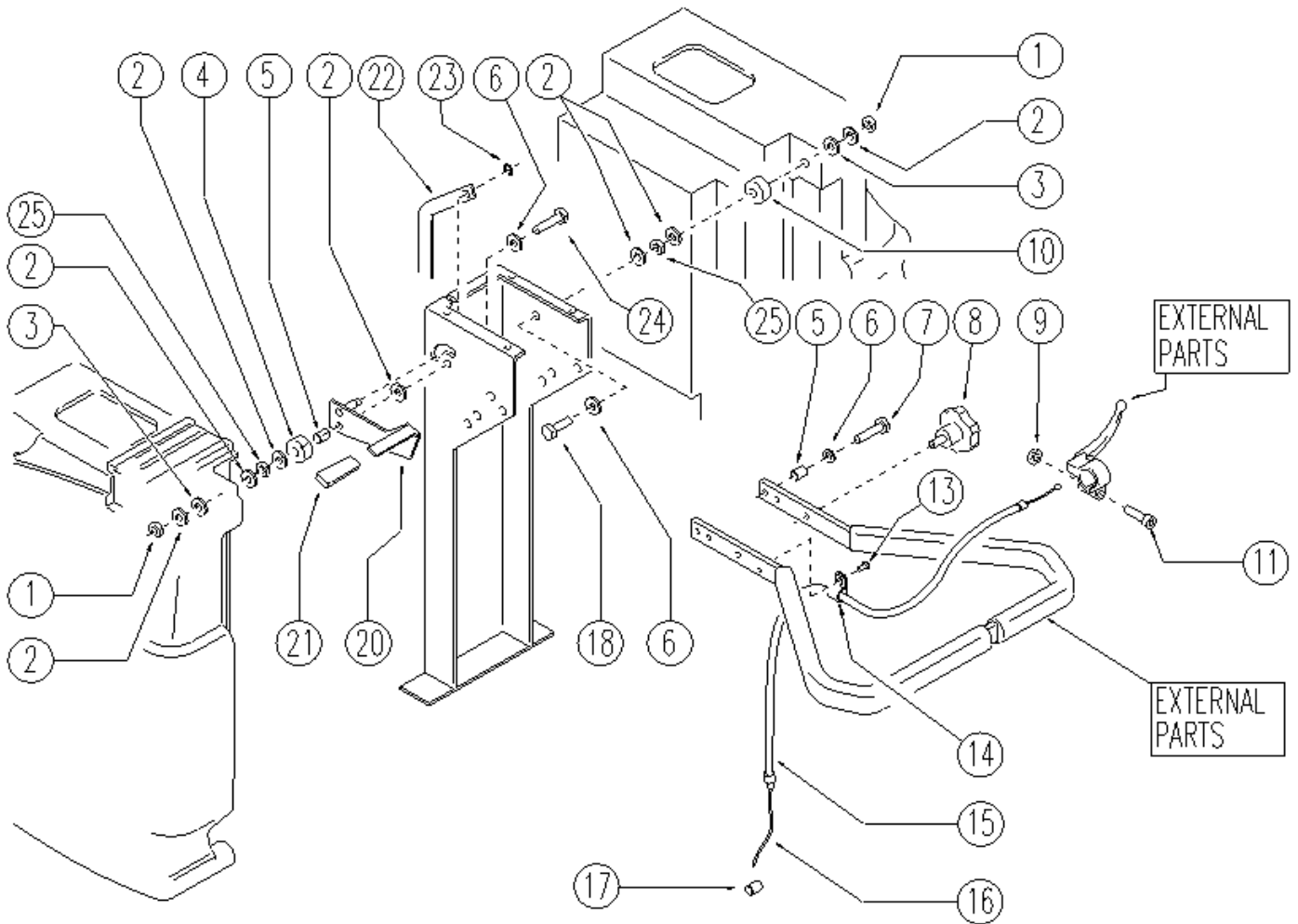
**IPC**Portotecnica

## **Spare Parts List**

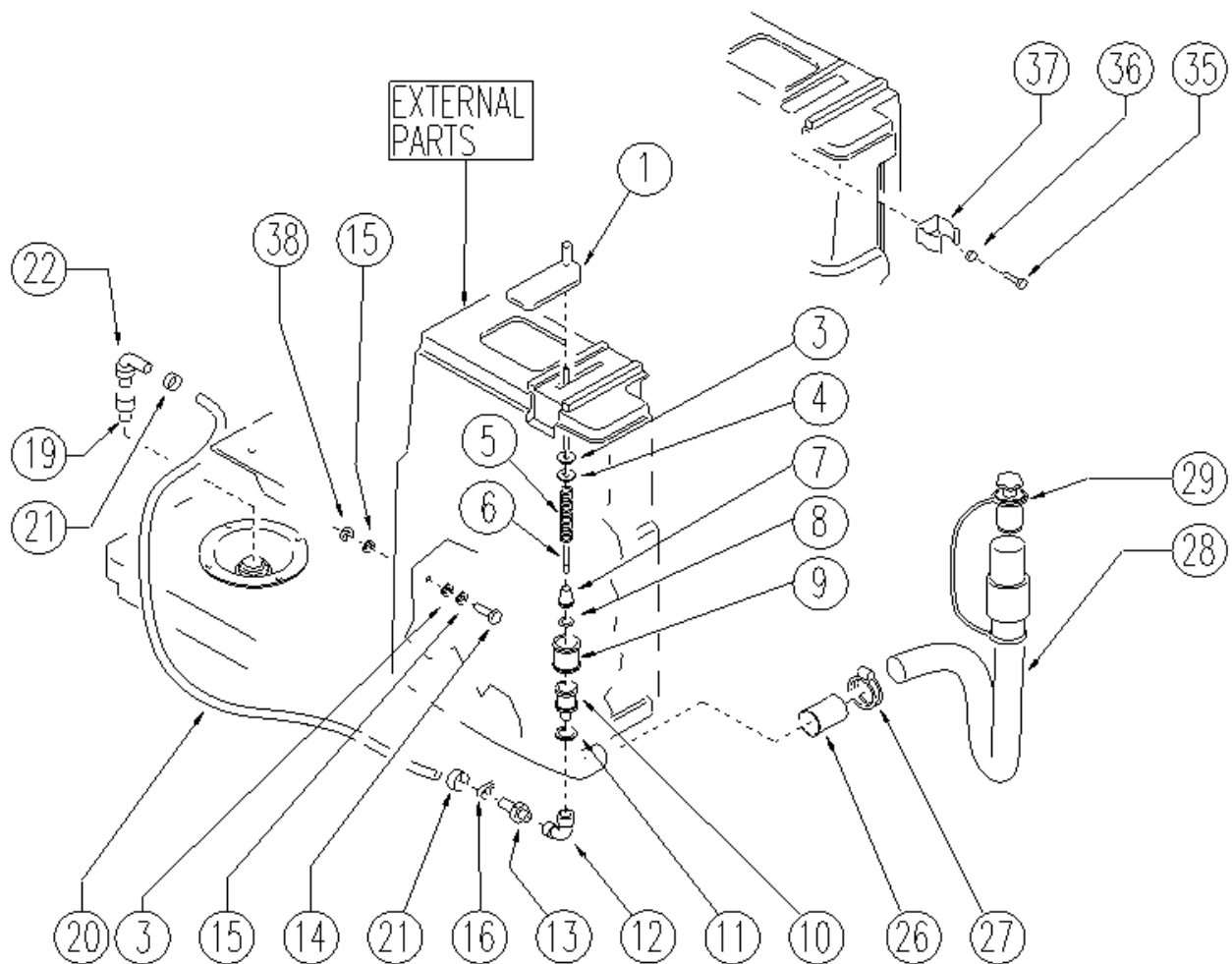
**PORTOTECNICA**

**Ref: LPTE45491**

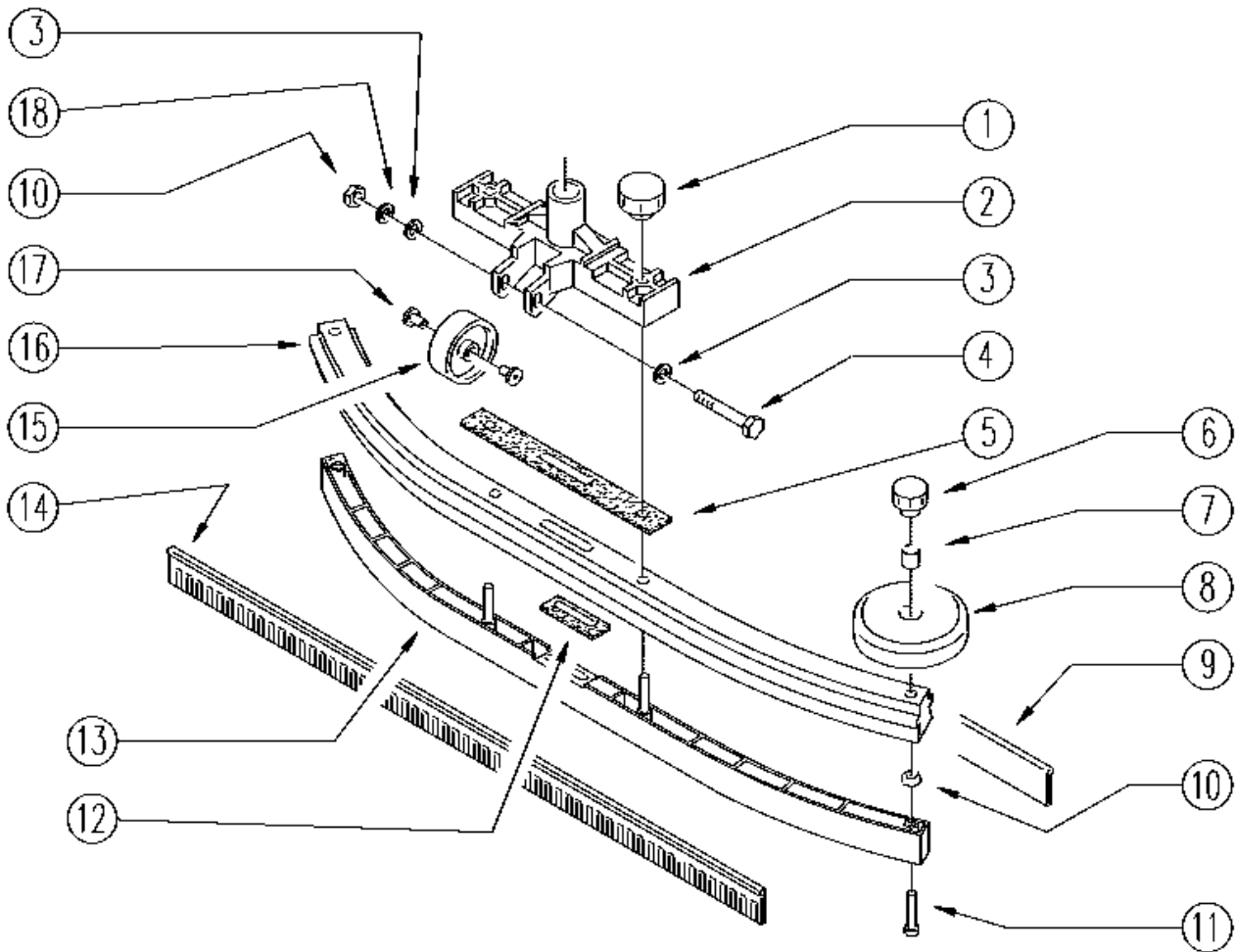
**Model: LAVAPAV PSD 500 E      230/50 3-01PRT**



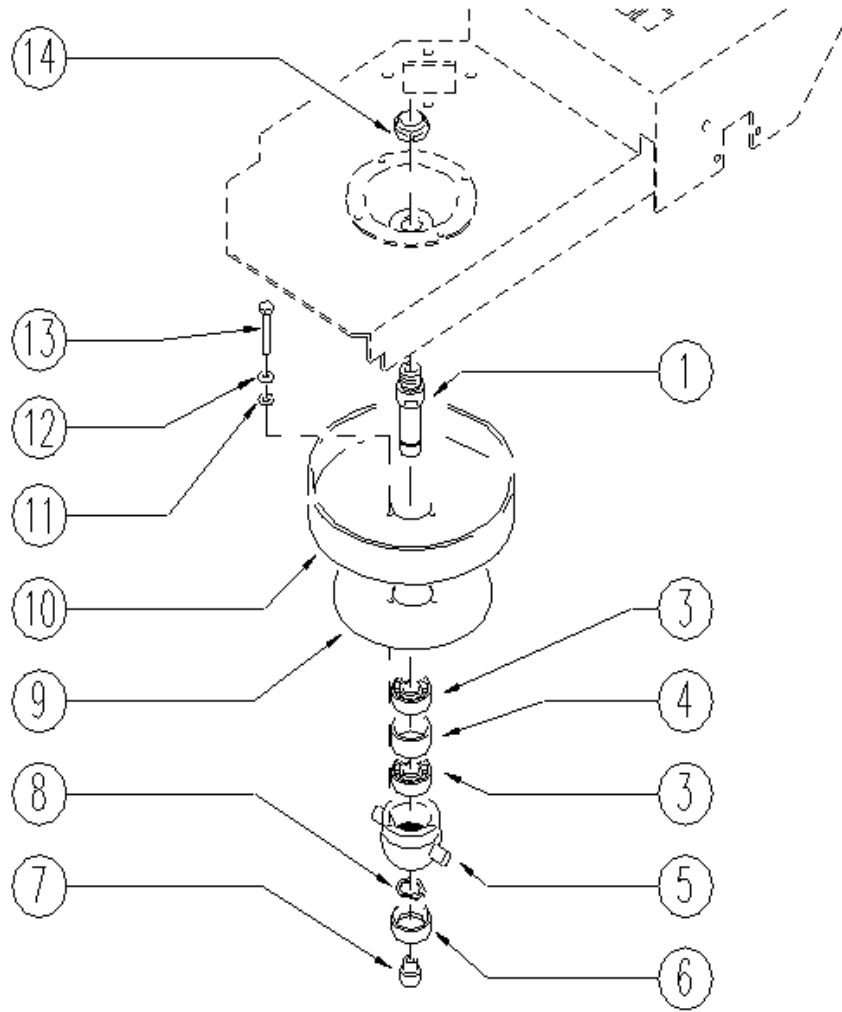
Ref. K	Part N.	Customer Part N.	Description	Qty	Validity:		Price
					From	To	
0001	VTDD01695		NUT M 8 INX	2,00	06/2005	--	--
0002	VTRS13946		WASHER D. 8 X24 INX UNI 6593	7,00	02/2004	--	--
0003	MPVR35582		RUBBER LAV.	2,00	02/2004	--	--
0004	MPVR02861		COVER FISSAGGIO SERBATOI	1,00	02/2004	--	--
0005	RCDS35584		BUSHING D. 8X12X 4.3	3,00	02/2004	--	--
0006	VTRS13947		WASHER D. 8 INX UNI 6592	4,00	02/2004	--	--
0007	VTVT15916		SCREW TE M 8X 16 UNI 5739 A2	2,00	02/2004	--	--
0008	VTVR33529		HANDWHEEL M 8MAX10 D.50	2,00	02/2004	--	--
0009	VTDD00156		NUT M. 5	1,00	02/2004	--	--
0010	MPVR02862		COVER FISSAG.SERB.	1,00	02/2004	--	--
0011	VTVT00657		SCREW TCEI M. 5-30	1,00	02/2004	--	--
0013	VTVT21887		SCREW TCB-TC 4X10 8112	1,00	02/2004	--	--
0014	MPVR02933		DUCT LOCK D.9,5	1,00	02/2004	--	--
0015	CMCV31116		SHEATH L= 520	1,00	02/2004	--	--
0016	CMCV31117		CORD L= 620 LAV.	1,00	02/2004	--	--
0017	VTVR00243		CLAMP D.5,5-2	1,00	02/2004	--	--
0018	VTVT00708		SCREW TE M. 8-40	1,00	02/2004	--	--
0020	LAFN35585		LEVER LAV. B-BT	1,00	02/2004	--	--
0021	MPVR04144		GRIP LEVA SQUEEGEE 450	1,00	02/2004	--	--
0022	LAFN35589		TIE ROD LAV. B-BT	1,00	02/2004	--	--
0023	VTDD15518		NUT M 6 INX	1,00	02/2004	--	--
0024	VTVT15371		SCREW TE M 8X45 INOX A2 UNI	1,00	02/2004	--	--
0025	VTDD00124		NUT M 8 BASSO	2,00	06/2005	--	--



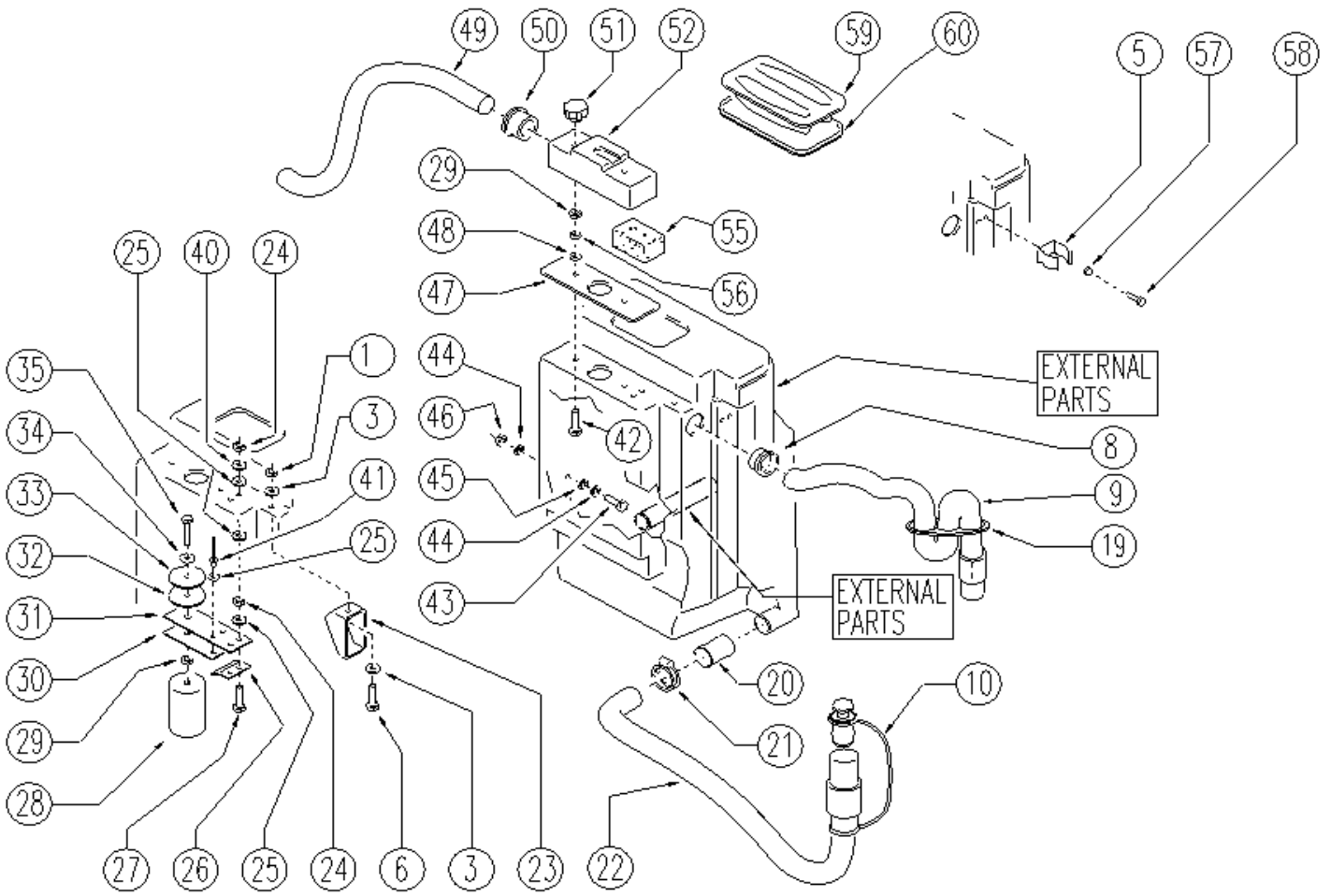
Ref.	K	Part N.	Customer Part N.	Description	Qty	Validity:		Price
						From	To	
0001		MPVR03239		REGULATOR REG.ACQUA	1,00			--
0003		MPVR35582		RUBBER LAV.	2,00	02/2004		--
0004		VTRS16937		WASHER 6x24 INOX UNI 6593	1,00			--
0005		MLML31085		SPRING LAV.	1,00			--
0006		LAFN31084		TIE ROD LAV.	1,00			--
0007		RCDS31087		COUPLING LAV.	1,00			--
0008		GUGO31088		O-RING D. 12 X 2.50 NBR 70SH	1,00			--
0009		FTDT31089		FILTER D.28	1,00			--
0010		RCGR31090		TAP BODY LAV.	1,00			--
0011		GUGO31093		GASKET 25X 12X 3	1,00			--
0012		RCGR00055		CONNECTOR	1,00			--
0013		RCVR49647		HOSE FITTING 3/8 M D.10	1,00			--
0014		VTVT15907		SCREW TE 8X25 UNI5739 INX	1,00	02/2004		--
0015		VTRS13946		WASHER D. 8 X24 INX UNI 6593	2,00	02/2004		--
0016		FSVR00099		CLAMP FERMATUBO	1,00	02/2004		--
0019		RCVR00489		NIPPLE	1,00	02/2004		--
0020		TBBP00285		TUBE SOLUZIONE	1,00			--
0021		FSVR00096		CLAMP 10-16 INOX	2,00	02/2004		--
0022		RCVR45752		HOSE FITTING "L" 3/8M - D.10 PLS.	1,00	02/2004		--
0026		GUGO00245		GASKET	1,00			--
0027		FSVR43136		CLAMP D. 35-40 DF.	1,00			--
0028		TBFX00208		TUBE DI SCARICO	1,00			--
0029		MPVR05064		CAP COMPLETO	1,00			--
0035		VTVT00722		SCREW	2,00			--
0036		VTRS00268		WASHER D.3	2,00			--
0037		MPVR02904		DUCT LOCK TUBO METALLO	1,00			--
0038		VTDD01695		NUT M 8 INX	1,00	06/2005		--



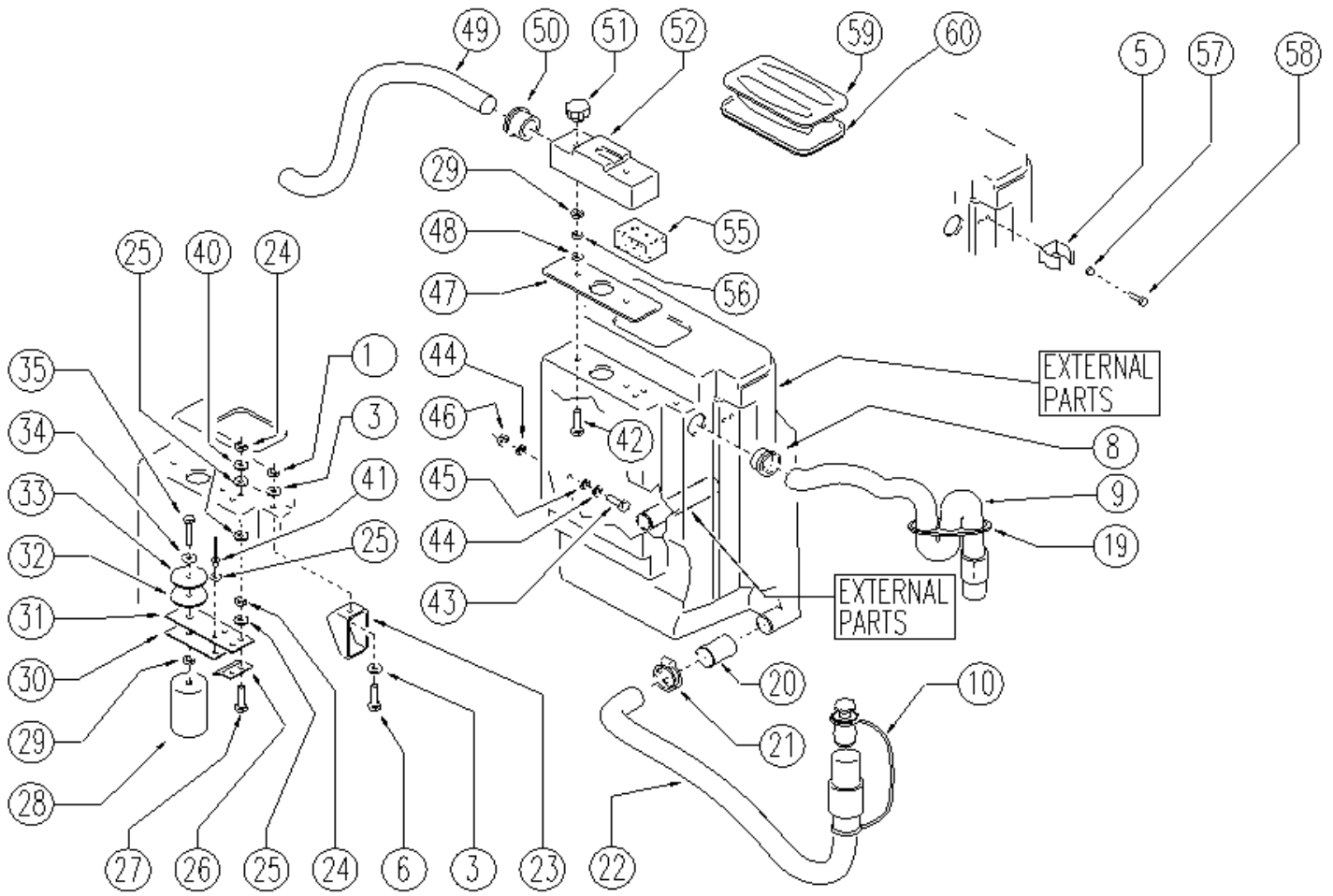
Ref. K	Part N.	Customer Part N.	Description	Qty	Validity:		Price
					From	To	
0001	VTVR35378		HANDWHEEL F 8MAX20 D.40	2,00	07/2005	--	--
0002	MPVR32085		OPENING SQUEEGEE	1,00	07/2005	--	--
0003	VTRS00245		WASHER D.6 UNI 6592 INOX	2,00	07/2005	--	--
0004	VTVT00655		SCREW TE M. 6-55	1,00	07/2005	--	--
0005	GUGO34059		GASKET FLR	1,00	07/2005	--	--
0006	VTVR35379		HANDWHEEL F 6MAX12 D.30	2,00	07/2005	--	--
0007	LAFN43369		SPACER D. 9-12 L= 16	2,00	07/2005	--	--
0008	RTRT43370		CASTER D.100 2V.	2,00	07/2005	--	--
0009	MPVR35639		RUBBER BLADE LAV. 840 PARA	1,00	07/2005	--	--
0010	VTDD15520		NUT M 6 A2 UNI 5588 INX	3,00	07/2005	--	--
0011	VTVT00824		SCREW TC- M6-50	2,00	07/2005	--	--
0012	GUGO34060		GASKET INF. FLR	1,00	07/2005	--	--
0013	LAFN43371		INSERT L= 800 PRB	1,00	07/2005	--	--
0014	MPVR43038		RUBBER 840 POLIU.	1,00	07/2005	--	--
0015	RTRT30940		CASTER D. 60	1,00	07/2005	--	--
0016	MFVR43372		FLOOR WIP.BODY L= 800 PRB	1,00	07/2005	--	--
0017	LAFN32086		BUSHING SQUEEGEE	2,00	07/2005	--	--
0018	VTRS00246		WASHER D. 6	1,00	07/2005	--	--



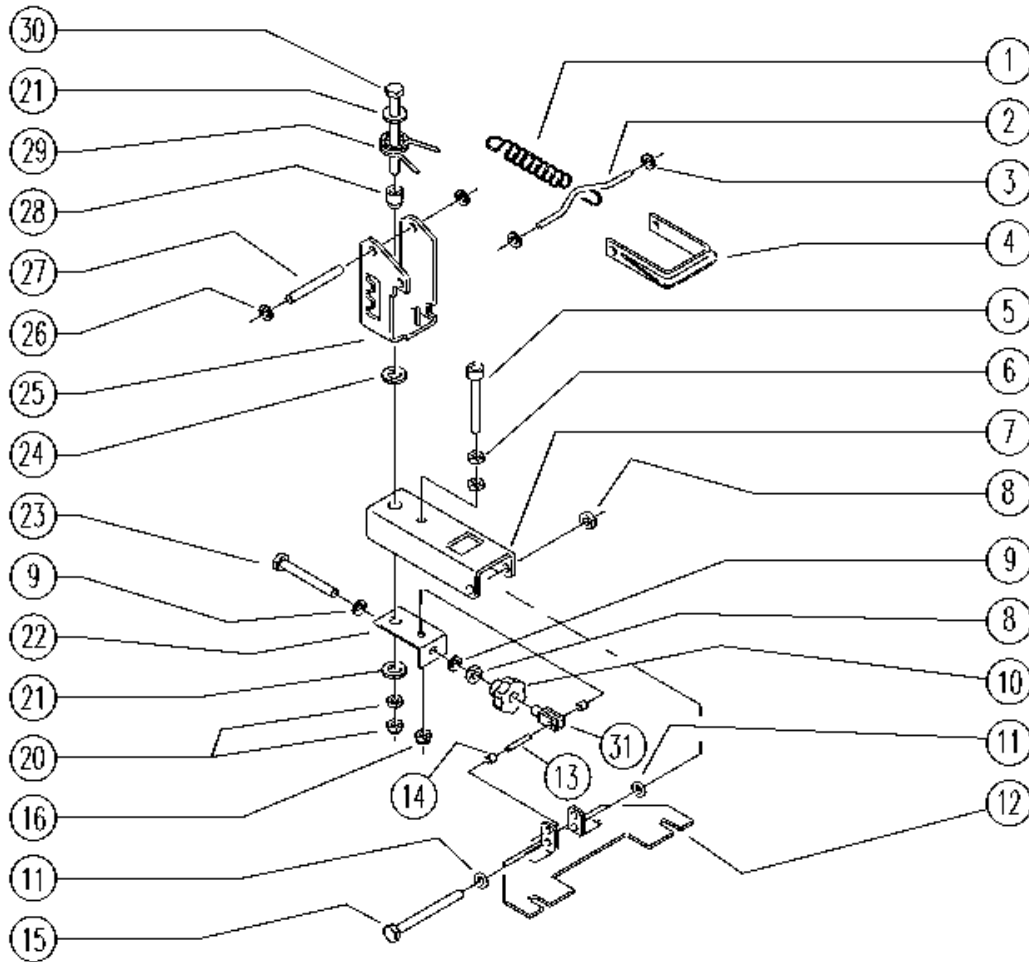
Ref. K	Part N.	Customer Part N.	Description	Qty	Validity:		Price
					From	To	
0001	LAFN45447		PIN LAVAPAV.E/B 2V.	1,00	02/2004	--	--
0003	CUVR31111		BALL BEARING 6005-2RS1	2,00	02/2004	--	--
0004	LAFN31112		SPACER SLO7161	1,00	02/2004	--	--
0005	LAFN31113		DRIVE DISK LV	1,00	02/2004	--	--
0006	GUGO00280		OIL SEAL	1,00		--	--
0007	MPVR35650		CAP NYL.	1,00	02/2004	--	--
0008	VTAE00052		RING ARRESTO ALBERO	1,00		--	--
0009	MPVR02768		DISC PROTEZIONE	1,00	02/2004	--	--
0010	MTPL34057		PULLEY E/B450	1,00	02/2004	--	--
0011	VTRS00246		WASHER D. 6	3,00	02/2004	--	--
0012	VTRS00245		WASHER D.6 UNI 6592 INOX	3,00	02/2004	--	--
0013	VTVT15143		SCREW TE 6X16 UNI5739	3,00	02/2004	--	--
0014	LAFN36319		RING NUT M25X1.5-10.3	1,00	02/2004	--	--



Ref. K	Part N.	Customer Part N.	Description	Qty	Validity:		Price
					From	To	
0001	VTDD07727		NUT M 5 INOX	1,00			--
0003	VTRS00516		WASHER D. 5 INX	2,00			--
0005	MPVR02904		DUCT LOCK TUBO METALLO	1,00			--
0006	VTVT07725		SCREW TE 5X16 UNI5739 INX	1,00			--
0008	MPVR31095		BUSHING LAV.	1,00			--
0009	TBFX00209		TUBE ASPIRAZIONE 450-530 CPL	1,00	01/2005		--
0010	MPVR05064		CAP COMPLETO	1,00			--
0019	MPVR02730		PLATE SIFONE	1,00	01/2005		--
0020	GUGO00107		AIR TUBE D40	1,00			--
0021	FSVR43136		CLAMP D. 35-40 DF.	1,00			--
0022	TBFX00208		TUBE DI SCARICO	1,00			--
0023	MPVR35580		BAFFLE LAV. B-BT	1,00			--
0024	VTDD00147		NUT M 4 INX U.5588	4,00			--
0025	VTRS00251		WASHER 4-16 INOX A2	8,00			--
0026	LAFN04949		BRACKET GALLEGGIANTE	1,00			--
0027	VTVT00727		SCREW TE M. 4-20	2,00			--
0028	RCGR31091		FLOATER LAV.	1,00			--
0029	VTDD15520		NUT M 6 A2 UNI 5588 INX	3,00			--
0030	LAFN35577		PLATE LAV. B-BT	1,00			--
0031	MPVR35578		RUBBER LAV. B-BT	1,00			--
0032	MPVR35579		CAP LAV. B-BT	1,00			--
0033	GUVR38601		GASKET MOUSSE LAV.	1,00			--
0034	VTRS16937		WASHER 6x24 INOX UNI 6593	1,00			--
0035	VTVT15142		SCREW TE M 6x45 INOX	1,00			--
0040	VTRS00252		WASHER D.4 INOX A2	2,00			--
0041	VTVR00232		RIVET 4.8X10 INOX A2	2,00			--
0042	VTVT00699		SCREW TE M. 6-70	2,00			--
0043	VTVT15907		SCREW TE 8X25 UNI5739 INX	1,00	02/2004		--
0044	VTRS13946		WASHER D. 8 X24 INX UNI 6593	1,00	02/2004		--
0045	MPVR35582		RUBBER LAV.	2,00	02/2004		--
0046	VTDD01695		NUT M 8 INX	2,00	06/2005		--
0047	GUGO31079		GASKET LAV.	1,00			--
0048	VTRS16937		WASHER 6x24 INOX UNI 6593	2,00			--
0050	MPVR31077		BUSHING L.450	1,00	02/2004		--
0051	VTVR31296		HANDWHEEL F M6 -6P	2,00			--
0052	MPAE32032		BOX LAVAMATIC	1,00	02/2004		--
0055	FTAC31102		FILTER LAVAP.	1,00	02/2004		--
0056	VTRS00246		WASHER D. 6	1,00			--
0057	VTRS00268		WASHER D.3	2,00			--

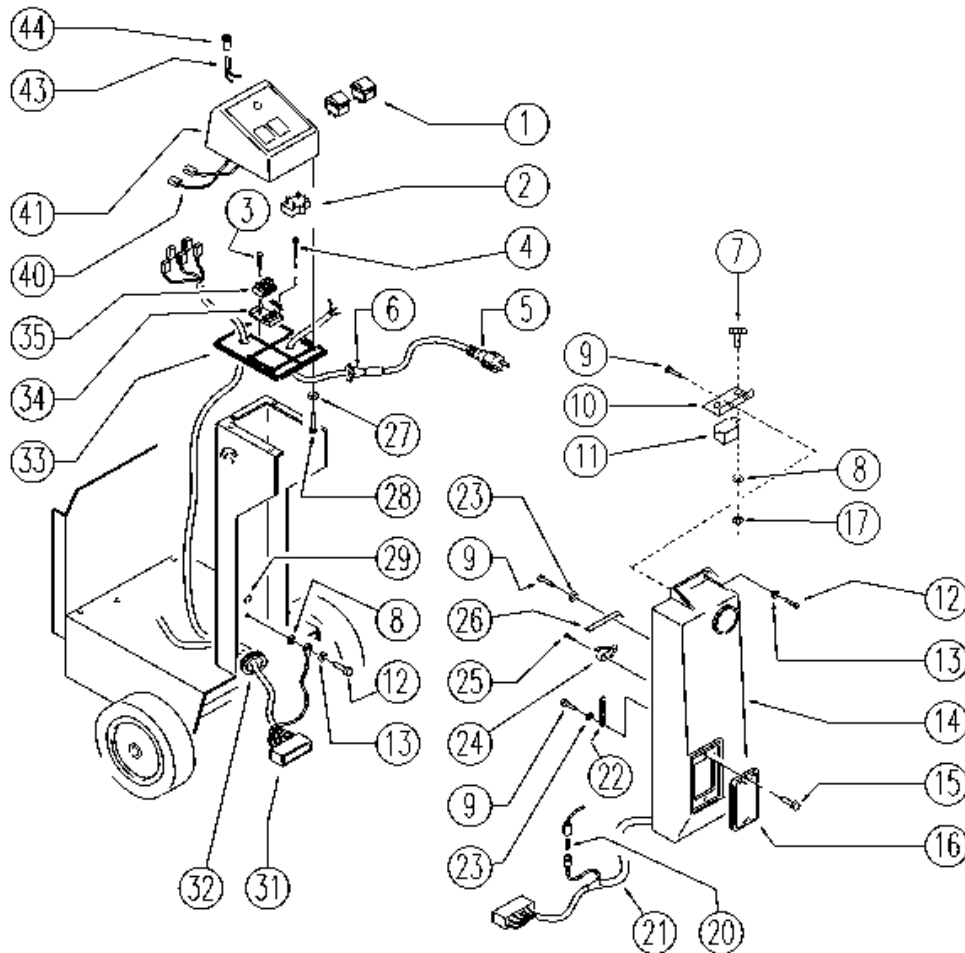


Ref. K	Part N.	Customer Part N.	Description	Qty	Validity:		Price
					From	To	
0058	VTVT00743		SCREW TC+ M. 3-8	2,00			--
0059	MPVR03956		COVER SERB. RECUP. AXCESS	1,00	01/2005		--
0060	GUGO00235		GASKET COPERCH. SERB. RECUPERO	1,00	01/2005		--

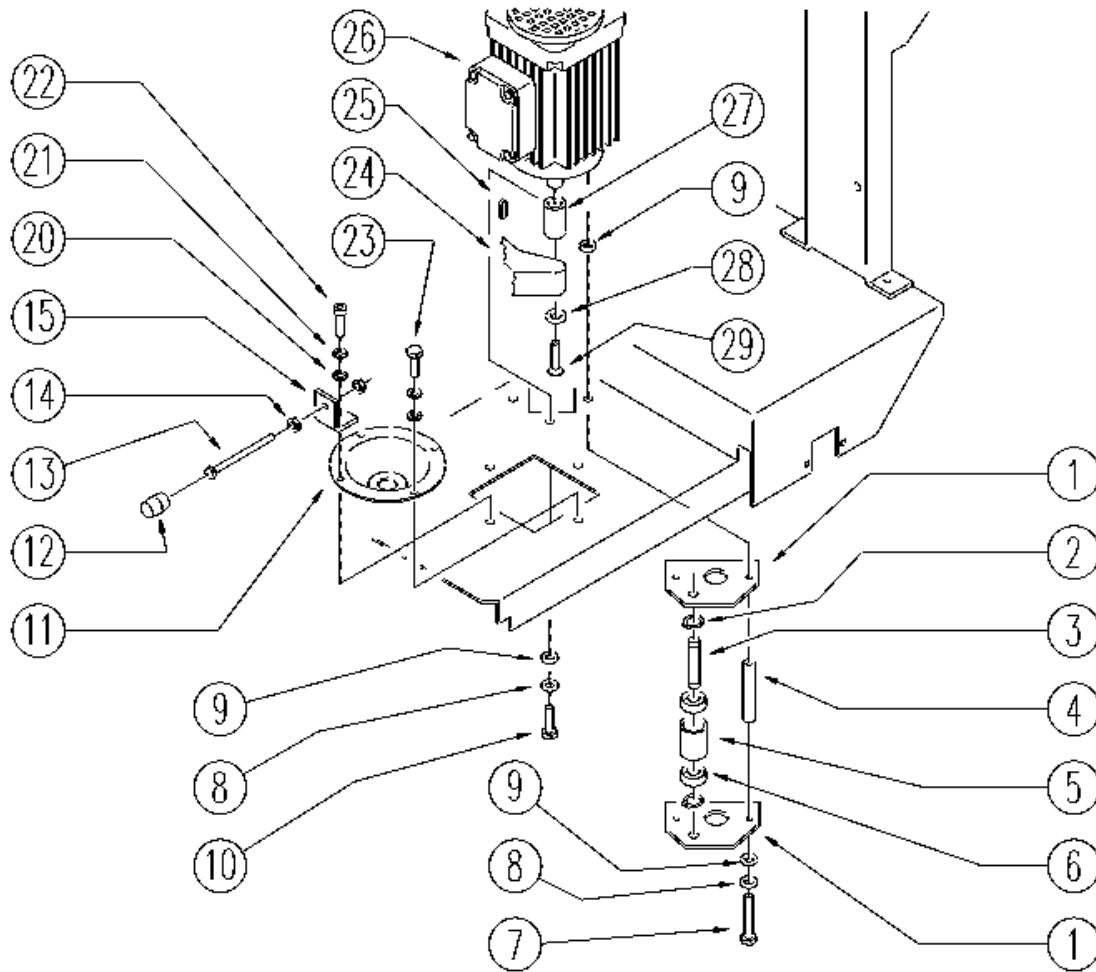


Ref. K	Part N.	Customer Part N.	Description	Qty	Validity:		Price
					From	To	
0001	MLML31105		SPRING D. 17.5 X105 N36	1,00	02/2004		--
0002	LAFN30944		SPRING SUPPORT BT	1,00			--
0003	VTRS00272		WASHER PER ALBERO	2,00			--
0004	LAFN35620		HANDLE LAV.	1,00			--
0005	VTVT00729		SCREW TCEI M. 6-35	1,00			--
0006	VTDD15520		NUT M 6 A2 UNI 5588 INX	2,00			--
0007	LAFN36370		ARM DRW	1,00			--
0008	VTDD01695		NUT M 8 INX	2,00			--
0009	VTRS13947		WASHER D. 8 INX UNI 6592	2,00			--
0010	VTVR36369		HANDWHEEL F 8MAX20 D.40 FP	1,00			--
0011	VTRS00274		WASHER NYLON 66 D.8,4-17-2 UNI	2,00			--
0012	LAFN36368		SUPPORT PLATE DRW	1,00			--
0013	LAFN35619		PLUG D. 8 X 48.5 LAV.	1,00			--
0014	LAFN35621		SPACER LAV.	1,00			--
0015	VTVT00757		SCREW	1,00			--
0016	VTDD15518		NUT M 6 INX	1,00	02/2004		--
0020	VTDD15521		NUT M 8 INX A2 UNI 5588	2,00			--
0021	VTRS13946		WASHER D. 8 X24 INX UNI 6593	2,00			--
0022	LAFN36371		BRACKET DRW	1,00			--
0023	VTVT77509		SCREW TE 8X60 UNI5739	1,00			--
0024	LAFN03726		WASHER SQUEEGEE FL. 450	1,00			--
0025	LAFN35616		BRACKET LAV. B-BT	1,00			--
0026	VTDD15518		NUT M 6 INX	2,00			--
0027	LAFN35617		PLUG D. 8 X 71.5 LAV.	1,00	02/2004		--
0028	LAFN35618		BUSHING LAV. B-BT	1,00			--
0029	MLML34058		SPRING FLR	1,00			--
0030	VTVT15371		SCREW TE M 8X45 INOX A2 UNI	1,00			--
0031	CMCV35596		FORK M 8 X42 BT	1,00			--

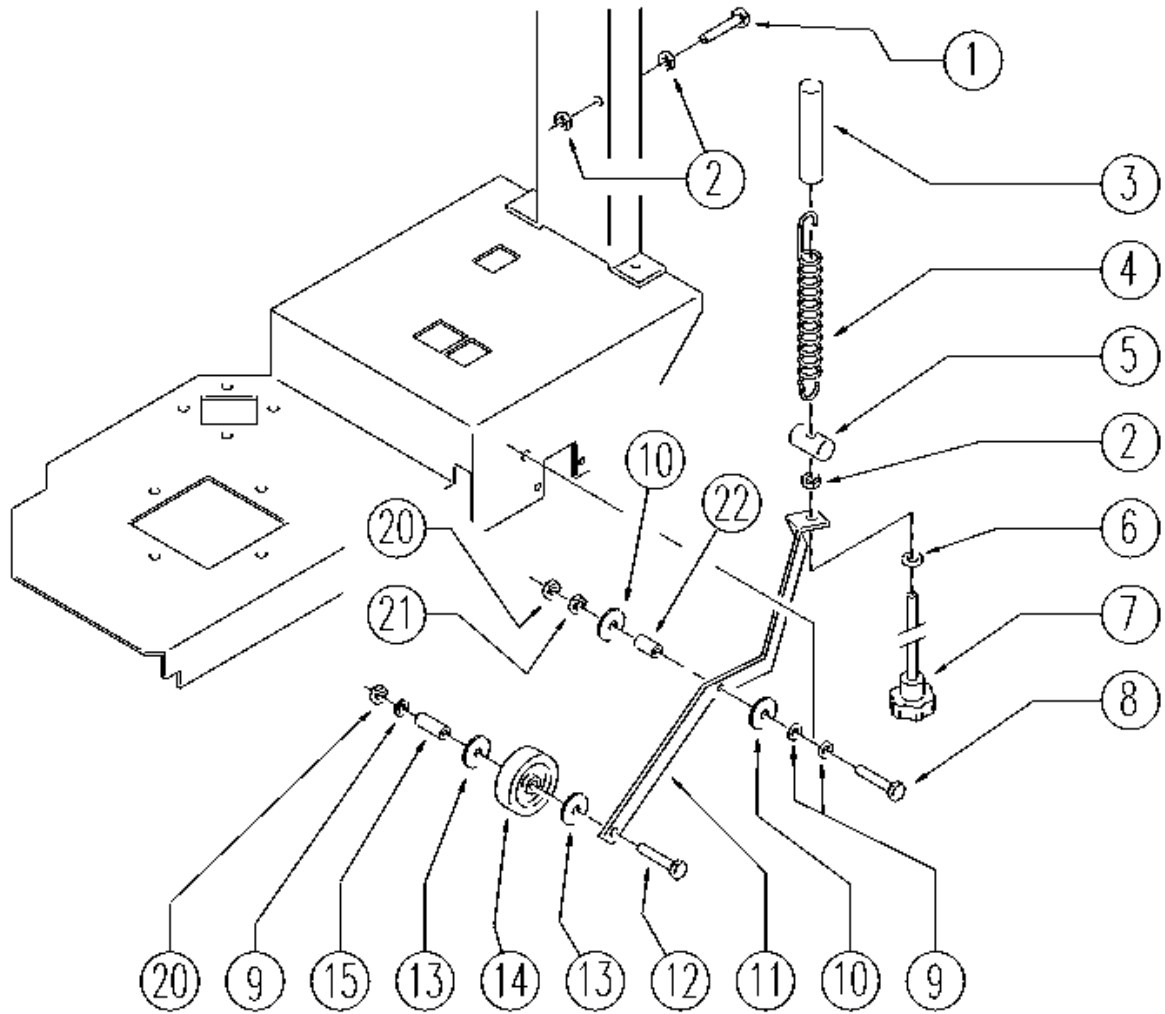




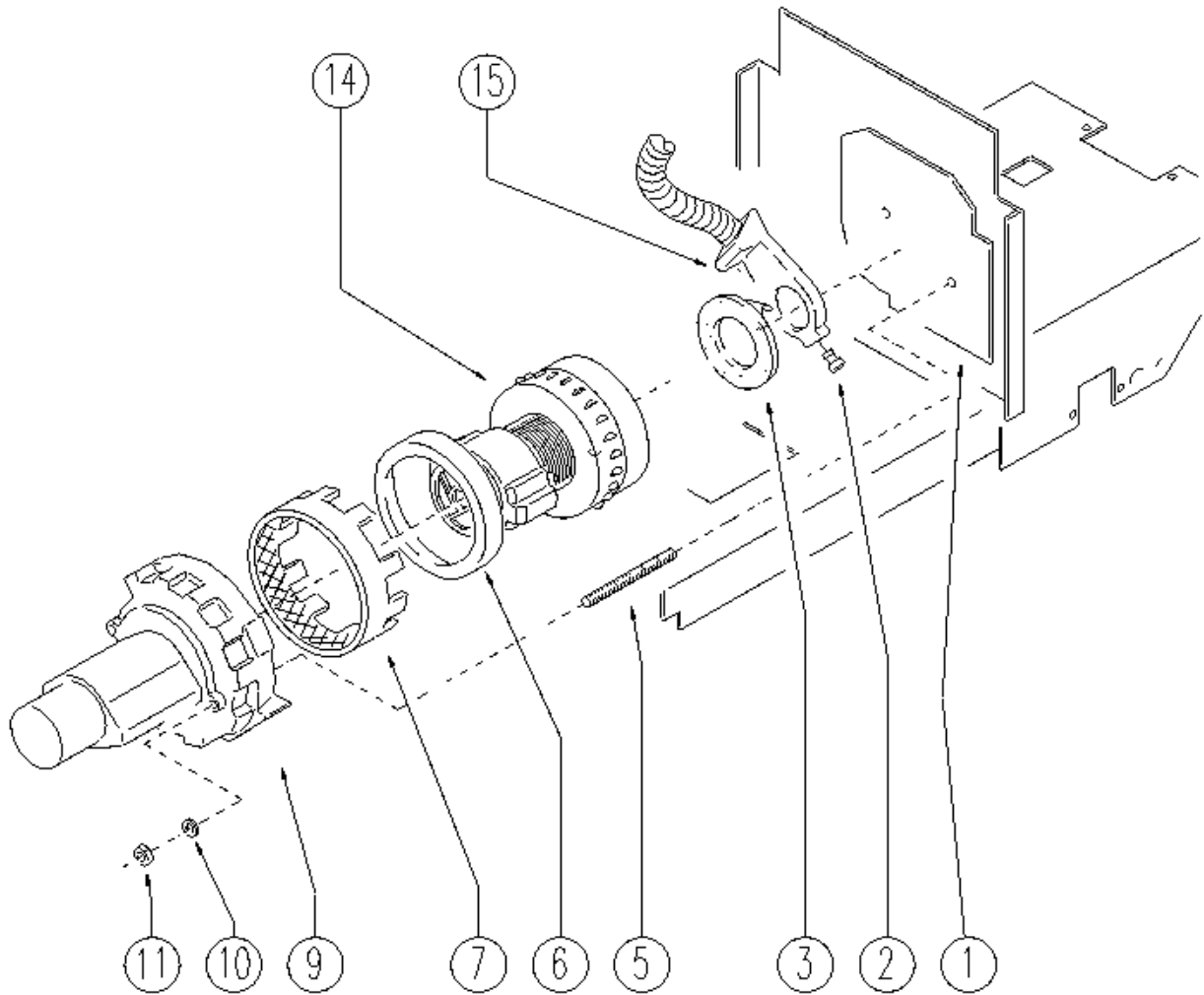
Ref.	K	Part N.	Customer Part N.	Description	Qty	Validity:		Price
						From	To	
0001		MECI30639		SWITCH 250V GLL.	2,00			--
0002		MECE31132		FILTER LC LAVAM. FL.	1,00	02/2004		--
0003		VTVT00744		SCREW	2,00	02/2004		--
0004		VTVT28553		SCREW TCB-TC 3.5X16	2,00	02/2004		--
0005		MECB31133		CABLE 3X1.5 25MT E 450	1,00	02/2004		--
0006		MEVR01089		FAIR-LEAD SZ G	1,00	02/2004		--
0007		VTVT21096		SCREW TE M 4X 10 INX	2,00			--
0008		VTRS00252		WASHER D.4 INOX A2	5,00	02/2004		--
0009		VTVT00721		SCREW TC+ M.3,5-9,5	4,00			--
0010		LAFN48878		BRACKET RELE' FIND. F450	1,00			--
0011		MERL48876		SWITCH RELAY FIND 250V AC1 62.82	1,00			--
0012		VTVT21887		SCREW TCB-TC 4X10 8112	3,00	02/2004		--
0013		VTRS00501		WASHER D. 4 0.232 UNI 6592	3,00			--
0014		LAFN35339		COVER B 450	1,00			--
0015		VTVT00640		SCREW TBEI M 6-12 INOX	2,00			--
0016		MPVR35628		COVER LAV.	1,00			--
0017		VTDD00147		NUT M 4 INX U.5588	2,00	02/2004		--
0020		MEVR01402		FUSE 5AX20	1,00			--
0022		MLML31119		SPRING TR.	1,00			--
0023		VTRS15958		WASHER D. 5 X15 UNI 6593	2,00			--
0025		VTVT11286		SCREW 2,2X12	2,00			--
0026		LAFN04787		FOIL COMANDO MICRO	1,00			--
0027		VTRS00251		WASHER 4-16 INOX A2	4,00	02/2004		--
0028		VTVT35376		SCREW TCB-TC 3.5X25	4,00	02/2004		--
0029		ETET00762		ADHESIVE SIMBOLO TERRA	1,00	02/2004		--
0031		MECB00775		WIRING	1,00			--
0032		MPVR03298		COVER PANN.COMANDI 450/530	1,00			--
0033		MPVR03298		COVER PANN.COMANDI 450/530	1,00			--
0034		MEVR01111		BOARD HOLDER	1,00	02/2004		--
0035		MEVR01110		TERMINAL BOARD 3 POS PA27	1,00			--
0041		MPVR35498		BOX COVER B 450/530	1,00			--
0043		MELF30641		LAMP 220V B.	1,00			--



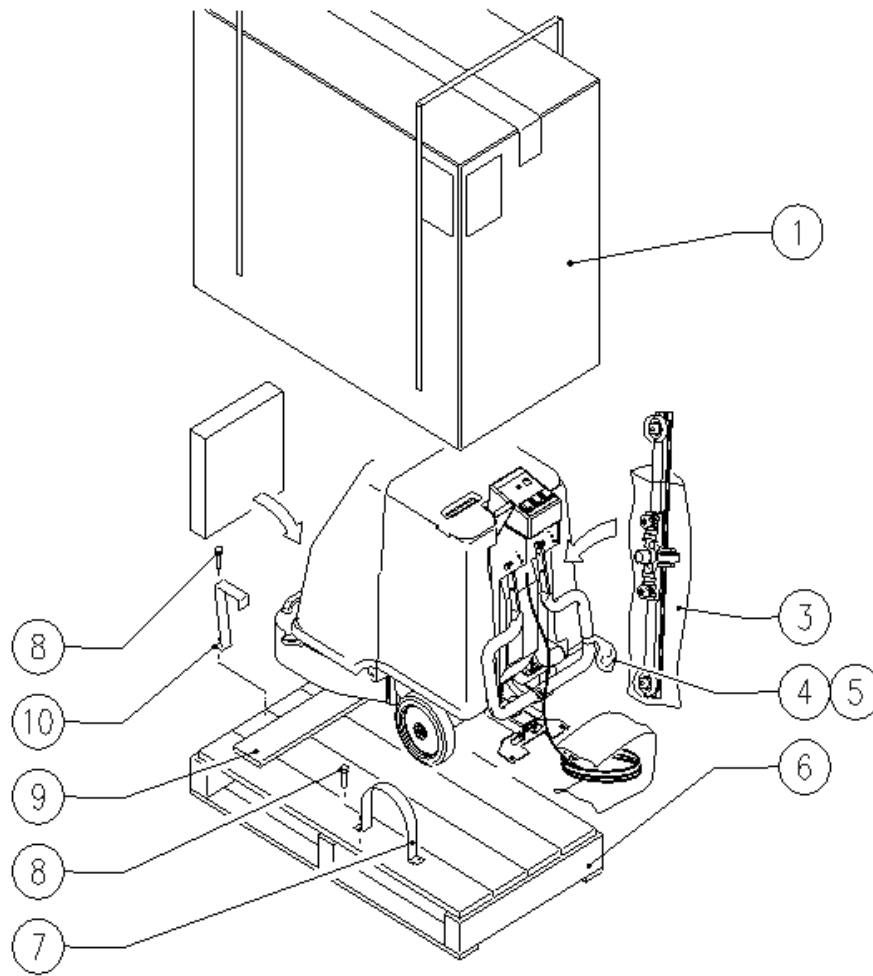
Ref.	K	Part N.	Customer Part N.	Description	Qty	Validity:		Price
						From	To	
0001	LAFN35751			PLATE LAV. E450	2,00			--
0002	VTAE00051			CIRCLIP X ALBERO D. 12 U7435 INX	2,00			--
0003	LAFN31110			PLUG LAV. B 450	1,00			--
0004	LAFN35750			SPACER LAV. E/B 450	2,00			--
0005	MTPL31109			PULLEY LAVAM.	1,00			--
0006	CUVR00085			BEARING 6001 2RSH	2,00			--
0007	VTVT00699			SCREW TE M. 6-70	2,00			--
0008	VTRS00246			WASHER D. 6	3,00			--
0009	VTRS00245			WASHER D.6 UNI 6592 INOX	5,00			--
0010	VTVT13939			SCREW TE 6X20 UNI5739 INX	1,00			--
0011	LAFN35745			FLANGE LAV.	1,00			--
0012	LAFN31041			FOOT D. 10 FF E350	1,00			--
0013	VTVT00700			SCREW TE M.6-80	1,00			--
0014	VTDD15520			NUT M 6 A2 UNI 5588 INX	2,00			--
0015	LAFN38608			BRACKET E 450II	1,00			--
0020	VTRS13947			WASHER D. 8 INX UNI 6592	4,00			--
0021	VTRS00269			WASHER D. 8 DIN 6798-A INX A2	4,00			--
0022	VTVT63035			SCREW TCEI M8X25 BRUNITA	1,00			--
0023	VTVT13938			SCREW TE 8X20 UNI5739 INX	3,00			--
0024	MTCG30647			BELT SV 900 H25 SP.1.7 S140 HB	1,00			--
0025	VTVR21944			KEY 6X6X30	1,00			--
0026	MOMO30735			TRACTION MOTOR E 450 1.3HP 230V	1,00			--
0027	MTPL34056			PULLEY E450 FL	1,00			--
0028	VTRS47704			WASHER LAV. E450	1,00			--
0029	VTVT13940			SCREW M 6X 20 TSPEI UNI 5933	1,00			--



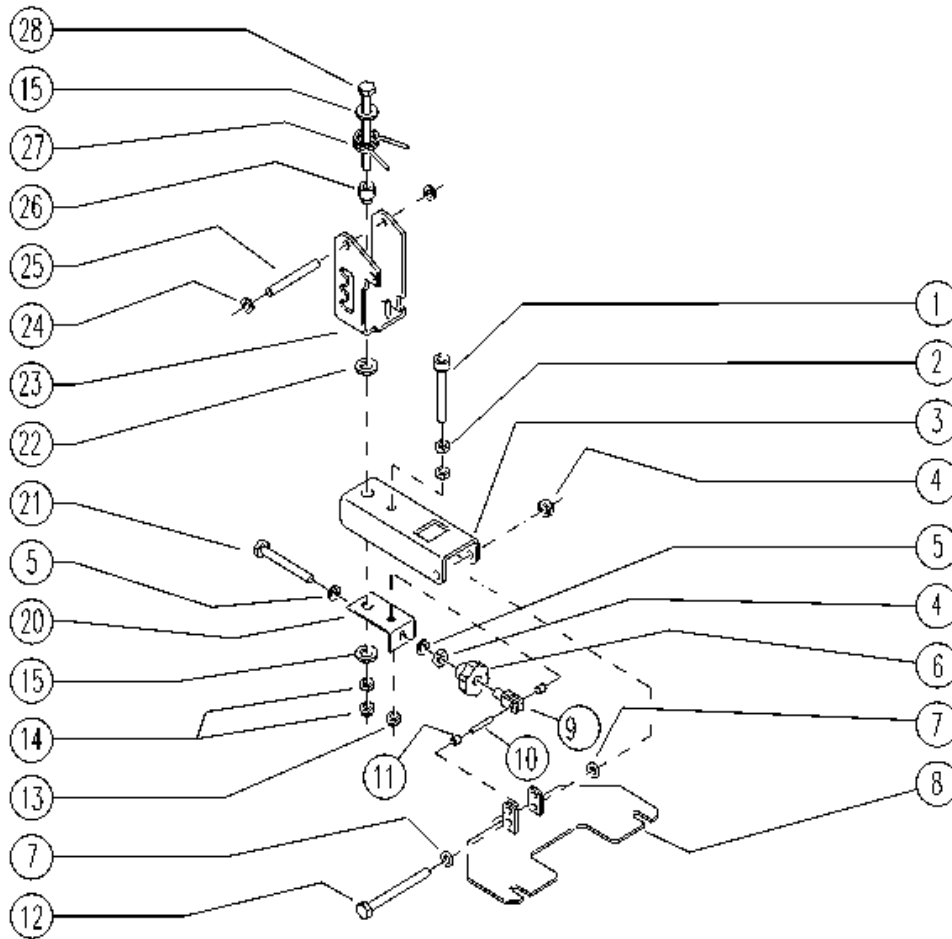
Ref.	K	Part N.	Customer Part N.	Description	Qty	Validity:		Price
						From	To	
0001		VTVT18190		SCREW	1,00	02/2004	--	--
0002		VTDD15520		NUT M 6 A2 UNI 5588 INX	3,00	02/2004	--	--
0003		MPVR02223		SHEATH PVC NERA	1,00	02/2004	--	--
0004		MLML31105		SPRING D. 17.5 X105 N36	1,00	02/2004	--	--
0005		LAFN35747		SPRING SUPPORT LAV. E/B 450	1,00	02/2004	--	--
0006		VTRS13945		WASHER D. 6X18 INX UNI 6593	1,00	02/2004	--	--
0007		VTVR35749		HANDWHEEL M 6MAX110 D.35	1,00	02/2004	--	--
0008		VTVT00410		SCREW TE M8x35 UNI5739 INOX	1,00	02/2004	--	--
0009		VTRS13947		WASHER D. 8 INX UNI 6592	3,00	02/2004	--	--
0010		VTRS00265		WASHER	2,00	02/2004	--	--
0011		LAFN04875		LEVER SEMITRAZIONE	1,00	02/2004	--	--
0012		VTVT77509		SCREW TE 8X60 UNI5739	1,00	02/2004	--	--
0013		MPVR02898		WASHER IN PLAST.NERA	2,00	02/2004	--	--
0014		RTRT00269		WHEEL COMPL. DI CUSCINETTI	1,00	02/2004	--	--
0015		LAFN04205		PIN PER ROTELLA	1,00	02/2004	--	--
0020		VTDD01695		NUT M 8 INX	2,00	02/2004	--	--
0021		VTDD15521		NUT M 8 INX A2 UNI 5588	1,00	02/2004	--	--
0022		RCDS34717		BUSHING D. 9X12X 8.3	1,00	02/2004	--	--



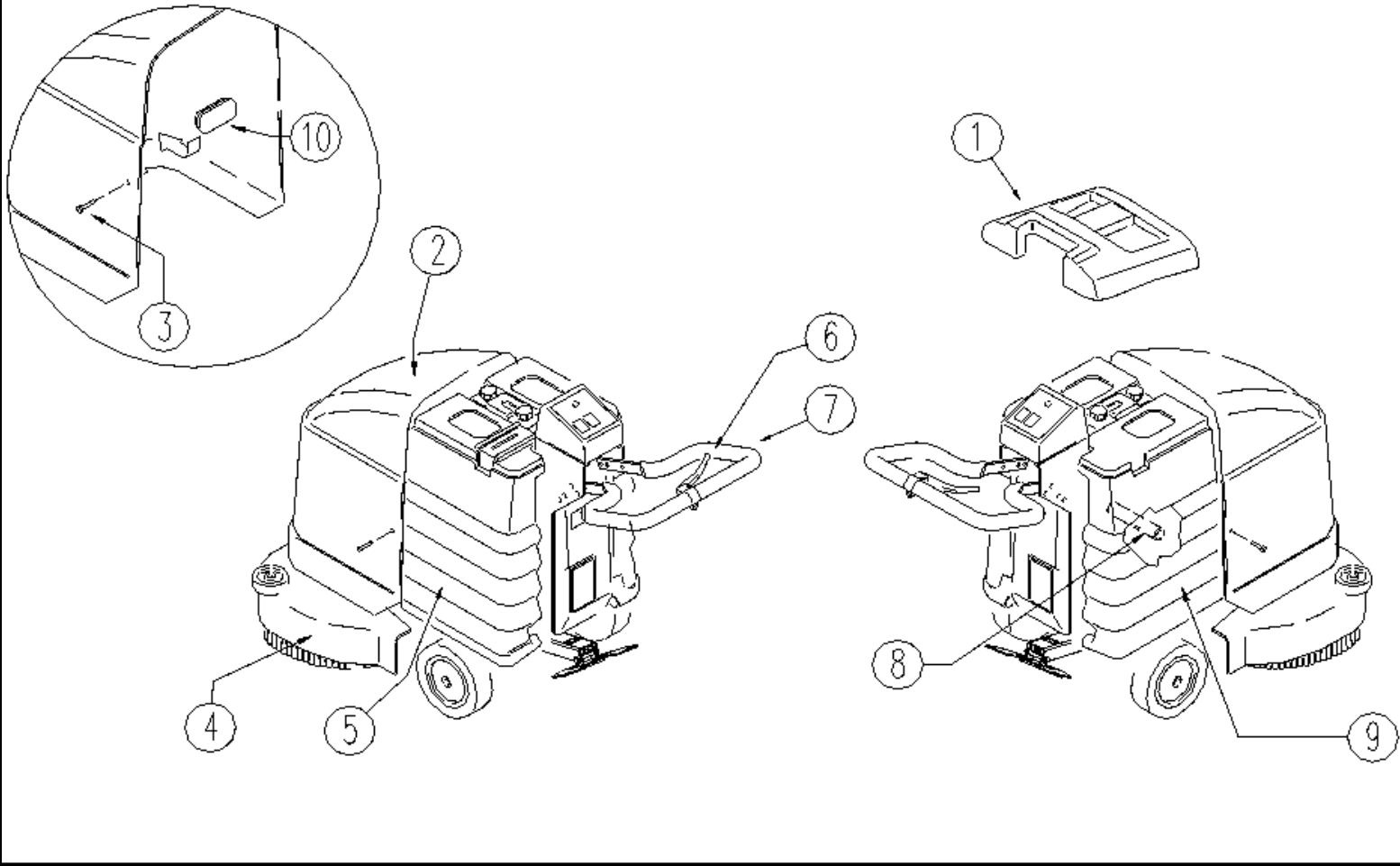
Ref. K	Part N.	Customer Part N.	Description	Qty	Validity:		Price
					From	To	
0001	GUGO00175		GASKET ADESIVA	1,00	02/2004		--
0002	PMVR00878		CAP SCARICO CPL	1,00			--
0003	GUGO31051		GASKET LAV.	1,00	02/2004		--
0005	VTVR00207		BAR FILETTATA M.8 L=130 MM	2,00	02/2004		--
0006	GUGO30649		GASKET LAV.DW.	1,00	02/2004		--
0007	MPVR38131		SILENCER LAV. E450 II INT.	1,00	02/2004		--
0009	MPVR38133		MOTOR COVER LAV. E 450 II	1,00	02/2004		--
0010	VTRS13947		WASHER D. 8 INX UNI 6592	2,00	02/2004		--
0011	VTDD01695		NUT M 8 INX	2,00	02/2004		--
0014	MOMO31928		MOTOR E 350 220/240	1,00	02/2004		--
0015	MPVR38130		CONVEYOR LAV. E 450 II	1,00			--



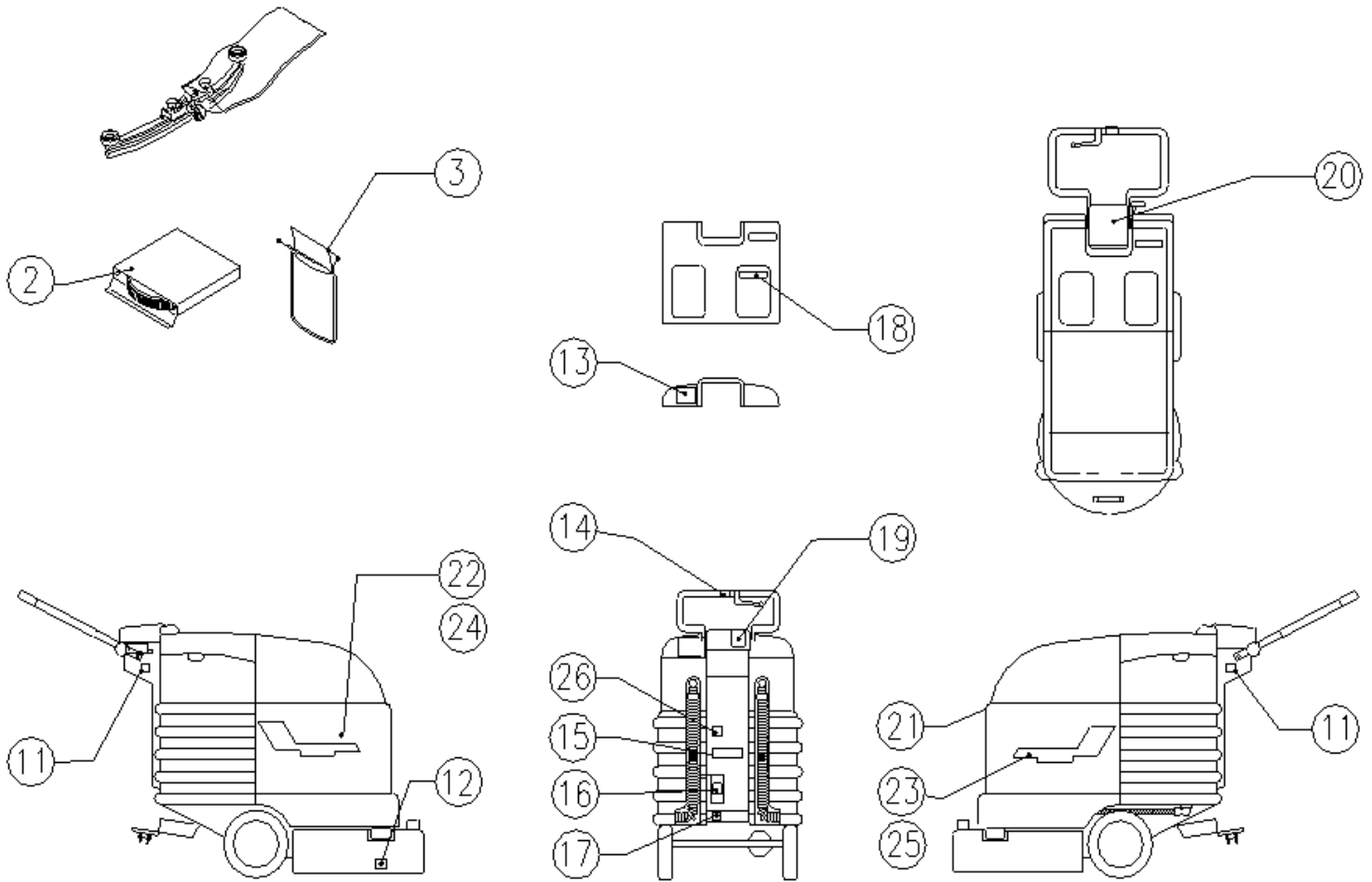
Ref. K	Part N.	Customer Part N.	Description	Qty	Validity:		Price
					From	To	
0001	MICT00088		CARTON NEUTRO 450	1,00			--
0004	VTVR33529		HANDWHEEL M 8MAX10 D.50	2,00			--
0005	MIVR00072		ENVELOPE PLASTICA TRASP.	1,00			--
0006	MIBA00058		PALLET	1,00			--
0007	MIVR00135		CLAMP RUOTA POSTERIORE X IMBAL.	2,00			--
0008	VTVT00043		SCREW AUTOF.LEGNO 4,5X25 TS BR	9,00			--
0009	MIVR00060		LATH/SPLINE LEGNO	1,00			--
0010	MIVR00136		CLAMP RUOTA POSTERIORE X IMBAL.	1,00			--



Ref.	K	Part N.	Customer Part N.	Description	Qty	Validity:		Price
						From	To	
0001		VTVT00729		SCREW TCEI M. 6-35	1,00			--
0002		VTDD15520		NUT M 6 A2 UNI 5588 INX	2,00			--
0003		LAFN36370		ARM DRW	1,00			--
0004		VTDD01695		NUT M 8 INX	2,00			--
0005		VTRS13947		WASHER D. 8 INX UNI 6592	2,00			--
0006		VTVR36369		HANDWHEEL F 8MAX20 D.40 FP	1,00			--
0007		VTRS00274		WASHER NYLON 66 D.8,4-17-2 UNI	2,00			--
0009		CMCV35596		FORK M 8 X42 BT	1,00			--
0010		LAFN35619		PLUG D. 8 X 48.5 LAV.	1,00			--
0011		LAFN35621		SPACER LAV.	1,00			--
0012		VTVT00757		SCREW	1,00			--
0013		VTDD15518		NUT M 6 INX	1,00			--
0014		VTDD15521		NUT M 8 INX A2 UNI 5588	2,00			--
0015		VTRS13946		WASHER D. 8 X24 INX UNI 6593	2,00			--
0020		LAFN36371		BRACKET DRW	1,00			--
0021		VTVT77509		SCREW TE 8X60 UNI5739	1,00			--
0022		LAFN03726		WASHER SQUEEGEE FL. 450	1,00			--
0023		LAFN35616		BRACKET LAV. B-BT	1,00			--
0024		VTDD15518		NUT M 6 INX	2,00			--
0025		LAFN35617		PLUG D. 8 X 71.5 LAV.	1,00			--
0026		LAFN35618		BUSHING LAV. B-BT	1,00			--
0027		MLML34058		SPRING FLR	1,00			--
0028		VTVT15371		SCREW TE M 8X45 INOX A2 UNI	1,00			--



Ref. K	Part N.	Customer Part N.	Description	Qty	Validity:		Price
					From	To	
0003	VTVT00712		SCREW	2,00	02/2004	--	--
0004	MPVR31596		BRUSH PROTECT. E 450	1,00	02/2004	--	--
0005	MPVR03229		TANK SOL.450/530	1,00		--	--
0006	LAFN05343		LEVER TRAFIONE F.450 DESTRA	1,00	02/2004	--	--
0007	LAFN44345		HANDLE LAV. BT4300	1,00	02/2004	--	--
0008	MPVR02860		CROSS SERBATOIO	1,00		--	--
0009	MPVR03415		TANK RECUPERO	1,00		--	--



Ref. K	Part N.	Customer Part N.	Description	Qty	Validity:		Price
					From	To	
0002	SPPV43963		BRUSH NYL 0.8 500	1,00	02/2004		--
0003	PLDC00994		OP-TOR'S MANUAL450 ECO/B	1,00	02/2004		--
0011	ETET00463		ADHESIVE SCARICO ACQUA	2,00	02/2004		--
0012	ETET01014		ADHESIVE ATTENZ.ABRAS.ARTI	1,00	02/2004		--
0013	ETET01015		ADHESIVE CHIUS.RUBINETTO	1,00	02/2004		--
0014	ETET00473		ADHESIVE SPAZZOLE	1,00	02/2004		--
0015	ETET00704		ADHESIVE SCOLLEGAMENTO SPINA	1,00	02/2004		--
0016	ETET00763		LABEL SIMBOLO FUSIBILI	1,00	02/2004		--
0017	ETET00836		LABEL REGOLAZ.VELOCITA'	1,00	02/2004		--
0018	ETET01016		ADHESIVE COP.SERBATOI	1,00	02/2004		--
0019	ETET00895		ADHESIVE SIMBOLO LEGGERE IL MANUAL	1,00	02/2004		--
0020	ETET00752		ADHESIVE PANNELLO COMANDI	1,00	02/2004		--
0021	ETET48880		LABEL PSD 500 E	1,00	02/2004		--
0022	ETET36114		LABEL L.MATIC SX	1,00	02/2004		--
0023	ETET36113		LABEL L.MATIC DX	1,00	02/2004		--
0024	ETET37949		LABEL L.MATIC E/B 450 DX	1,00	02/2004		--
0025	ETET37950		LABEL L.MATIC E/B 450 SX	1,00	02/2004		--
0026	ETET00905		ADHESIVE SIMBOLO DI TENSIONE	1,00	02/2004		--