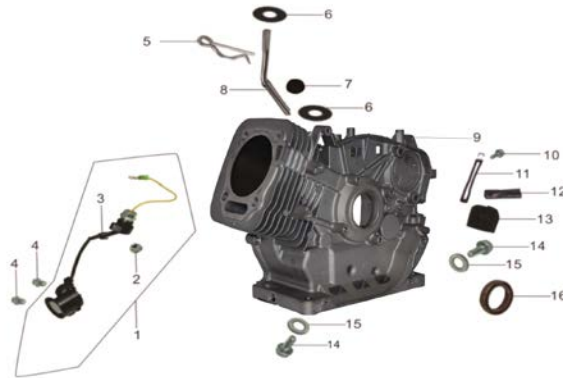


E-1 曲轴箱总成 CRANKCASE ASSY



Id	PartNo	PartName	Description	Quantity	Remark
E01-1	27400-A0810-0002	机油传感器组合	Oil sensor	1	
E01-2	T312-0001	螺母M10 GB/T6177.2	Nut M10	1	
E01-3	11119-A1310-0001	O型密封圈Φ13×2.5	O-ring Φ13×2.5	1	
E01-4	T152-0004	螺栓M6×14 GB/T5789	Bolt M6×14	2	
E01-5	26112-A0810-0001	调速摆杆锁夹	Split pin	1	
E01-6	26113-A0810-0001	调速摆杆垫片	Washer	2	
E01-7	11130-A1010-0001	调速摆杆油封Φ8×Φ14×4	Oil seal, regulating sway bar Φ8×Φ14×4	1	
E01-8	26111-A1010-0001	调速摆杆	Regulating sway bar	1	
E01-9	11110-A2610-0001	曲轴箱组件	Crankcase	1	
E01-10	T152-0019	螺栓M6×12 GB/T5789	Bolt M6×12	1	
E01-11	19316-A0810-0002	固线卡	Fixture clamp	1	
E01-12	19314-A0810-0001	护线套	Wire protect sleeve	1	
E01-13	11117-A0810-0001	曲轴箱橡胶圈	Seal	1	
E01-14	11115-A0810-0001	放油螺塞	Drain plug	2	
E01-15	11116-A0810-0001	放油螺塞垫圈Φ12×Φ20×2	Washer Φ12×Φ20×2	2	
E01-16	11120-A1010-0001	曲轴油封组件(一)Φ35×Φ50×7	Oil seal, crankshaft Φ35×Φ50×7	1	

E-2曲轴箱盖组件 CRANKCASE COVER ASSY



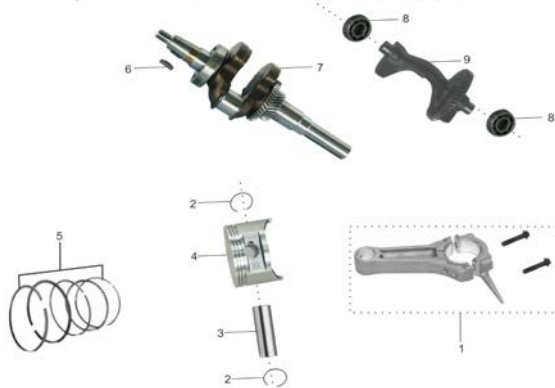
Id	PartNo	PartName	Description	Quantity	Remark
E02-1	25100-A1210-0001	调速从动齿轮组合	Driven gear, regulator assy	1	
E02-2	26113-A0710-0001	调速摆杆垫片	Washer	1	
E02-3	15512-A0810-0001	机油尺密封圈(一)	Seal	2	
E02-4	15610-A0815-0001	机油塞组件	Oil plug with Seal	1	
E02-5	T151-0013	螺栓 M8×40 GB/T16674	Bolt M8×40	10	
E02-6	11120-A1010-0001	曲轴油封组件(一)Φ35×Φ50×7	Oil seal, crankshaft Φ35×Φ50×7	1	
E02-7	11211-A2610-0001	曲轴箱盖	Crankcase cover	1	
E02-8	15610-A0810-0003	机油尺组件	Dipstick with seal	1	
E02-9	11113-A0810-0001	曲轴箱盖定位销Φ8×12	Set pinΦ8×12	2	
E02-10	T910-0003	轴承6207 GB/T276	Bearing 6207 GB/T276	1	
E02-11	11114-A2610-0001	曲轴箱垫片	Gasket, crankcase	1	

E-3 气缸头 气缸头盖总成
CYLINDER HEAD & CYLINDER HEAD COVER ASSY



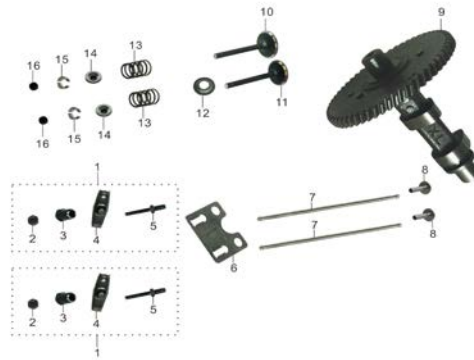
Id	PartNo	PartName	Description	Quantity	Remark
E03-1	12220-A0810-0001	气缸盖盖螺栓组件M6×60	Bolt assy of cylinder cover M6*60	1	
E03-2	12200-A0810-0002	气缸头盖组合	Cylinder head cover Assy	1	
E03-3	12212-A0810-0001	气缸头盖密封圈	Gasket, cylinder head cover	1	
E03-4	12118-A0810-0002	气缸头螺栓 M10×80	Bolt, cylinder head M10×80	4	
E03-5	19121-A1010-0001	下导风罩(一)	Lead wind cover	1	
E03-6	27100-A0710-0001	火花塞组合	Spark plug	1	
E03-7	12100-A2610-0001	气缸头组合	Cylinder head Assy	1	
E03-8	12117-A0810-0001	气缸头定位销Φ12×20	Set pinΦ12×20	2	
E03-9	12120-A2610-0001	气缸头密封垫组件	Gasket, cylinder head	1	
E03-10	17218-A1010-0001	134mm	Stud	2	
E03-11	14420-A0810-0001	挡油罩组件	Seal	1	
E03-12	T152-0019	螺栓M6×12 GB/T5789	Bolt M6×12	1	

E-4曲轴活塞连杆 平衡轴总成
CRANKSHAFT, PISTON, CONNECTING & BALANCING SHAFT



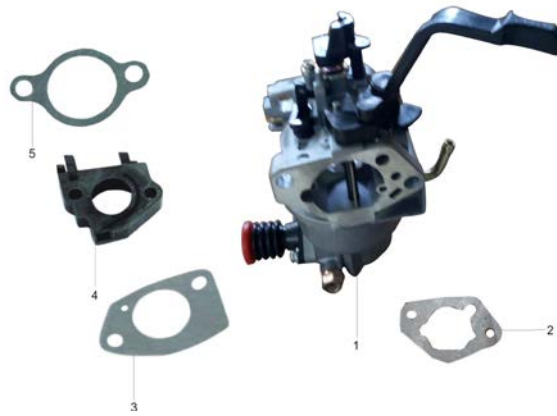
Id	PartNo	PartName	Description	Quantity	Remark
E04-1	13120-A2610-0001	连杆组件	Connect rod assy	1	
E04-2	13313-A1010-0001	活塞销挡圈	Piston pin circlip	2	
E04-3	13312-A1010-0001	活塞销	Piston pin	1	
E04-4	13311-A2610-0001	活塞	Piston	1	
E04-5	13400-A2610-0001	活塞环组合	Piston ring set	1	
E04-6	13112-A0810-0001	半圆键	Woodruff key	1	
E04-7	13110-A2610-0008	曲轴组件	Crankshaft assy	1	
E04-8	T910-0005	轴承6202 GB/T276	Bearing 6202	1	
E04-9	13116-A2610-0001	平衡轴	Balancing shaft	1	

E-5 凸轮轴装配组合 气门摇臂组合
COMBINATION OF CAM SHAFT & VALVE ROCKER



Id	PartNo	PartName	Description	Quantity	Remark
E05-1	14310-A0810-0001	气门摇臂装配组合	Valve rocker assy	2	
E05-2	14314-A0710-0001	气门间隙调节螺母	Lock nut	2	
E05-3	14312-A0710-0001	摇臂轴座销	Sleeve	2	
E05-4	14311-A0810-0001	气门摇臂	Valve rocker	2	
E05-5	14313-A0710-0001	气门间隙调节螺栓	Adjusting bolt for valve gap	2	
E05-6	14220-A0810-0002	推杆导架组件	Pusher guide	1	
E05-7	14210-A1010-0001	推杆组件	Pusher	2	
E05-8	14315-A0810-0001	挺柱	Tappet	2	
E05-9	14100-A1210-0001	凸轮轴装配组合	Camshaft assy	1	
E05-10	14411-A1210-0003	进气门	Intake valve	1	
E05-11	14412-A1010-0003	排气门	Exhaust valve	1	
E05-12	14417-A0810-0001	气门弹簧下座	Spring retainer, exhaust valve	1	
E05-13	14414-A1010-0001	气门弹簧	Valve spring	2	
E05-14	14413-A1010-0001	气门弹簧座(一)	Spring seat, exhaust valve	2	
E05-15	14418-A1010-0001	气门锁夹	Valve lock clamp	4	
E05-16	14416-A0810-0001	气门顶帽	Cap of valve	2	

E-6 化油器总成 CARBURETOR ASSY



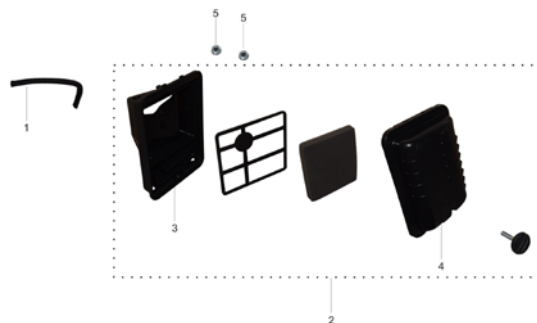
Id	PartNo	PartName	Description	Quantity	Remark
E06-1	16100-A2610-0005	化油器总成	Carburetor Assy	1	
E06-2	17113-A0810-0003	空滤器垫片	Air cleaner gasket	1	
E06-3	16113-A1110-0001	化油器垫片	Carburetor gasket	1	
E06-4	16120-A1110-0001	化油器接块组件	Connecting block	1	
E06-5	17219-A1010-0001	进气口垫片	Inlet gasket	1	

E-7 燃油箱组成 FUEL TANK ASSY



Id	PartNo	PartName	Description	Quantity	Remark
E07-1	T151-0005	螺栓M8×16 GB/T16674	Bolt M8×16 GB/T16674	6	
E07-2	16510-A1010-0001	燃油箱组件	Fuel tank assy	1	
E07-3	16400-A0710-0006	燃油箱盖组合	Fuel filler cap with packing ring	1	
E07-4	16610-A0710-0001	过滤杯组件	Filter cup assy	1	
E07-5	16911-BT222-0001	油箱减震垫		4	
E07-6	16540-A2610-0002	燃油箱连接板组件		1	
E07-7	T311-0001	螺母M8 GB/T6177.1	Nut M8 GB/T6177.1	2	
E07-8	16630-A0710-0001	出油接头组件	Fuel connector assy	1	
E07-9	16621-A2610-0001	出油管(一)	Fuel outlet pipe (1)	1	
E07-10	16922-A0810-0001	油管保护套	Protect cover of fuel pipe	1	
E07-11	16622-A0710-0005	油管夹(一)	Pipe clamp (1)	2	

E-8 空气滤清器总成 AIR CLEANER ASSY



Id	PartNo	PartName	Description	Quantity	Remark
E08-1	19143-BC130-0001	废气管	Pipe of exhaust gas	1	
E08-2	17100-A1211-0001	空滤器总成	Air cleaner assy	1	
E08-3	17114-A1211-0002	空滤器本体	Air cleaner aeration cover	1	
E08-4	17112-A1011-0001	空滤器盖	Air cleaner cover	1	
E08-5	T314-0001	螺母M6 GB/T6187.1	Nut M6 GB/T6187.1	2	

E-9 消声器组件 MUFFLER



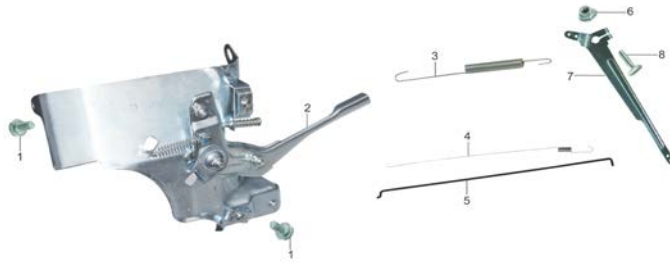
Id	PartNo	PartName	Description	Quantity	Remark
E09-1	18000-A2610-0001	消声器总成	Muffler Comp	1	
E09-2	T230-0013	螺钉GB/T70.1 M8×20		2	
E09-3	18215-A0810-0001	排气口垫片	Washer of exhaust outlet	1	
E09-4	T314-0005	螺母M6 GB/T6187.1	Nut M6 GB/T6187.1	1	
E09-5	T151-0079	螺栓M8×40 GB/T16674	Bolt M8×16 GB/T16674	1	

E-10 反冲起动部件 RECOIL STARTER



Id	PartNo	PartName	Description	Quantity	Remark
E10-1	23100-A2610-0002	反冲起动器总成	Recoil starter assy	1	
E10-2	23200-A1010-0003	反冲起动器组合	Recoil starter	1	
E10-3	23230-A0710-0001	拉手组件	Pulling handle assy	1	
E10-4	T152-0036	螺栓M6×8 GB/T5789	Bolt M6×8	3	
E10-5	16628-A0810-0001	塑料管夹(二)	Plastic clamp (2)	1	
E10-6	T152-0019	螺栓M6×12 GB/T5789	Bolt M6×12	5	
E10-7	19211-A2610-0002	风扇罩	Fan hood assy	1	
E10-8	27300-A0712-0001	熄火开关组合	Engine switch	1	

E-11 调速控制系统
REGULATING CONTROL SYSTEM



Id	PartNo	PartName	Description	Quantity	Remark
E11-1	T152-0019	螺栓M6×12 GB/T5789	Bolt M6×12 GB/T5789	2	
E11-2	26200-A1010-0005	调速支架组合	Regulating frame assy	1	
E11-3	26117-A1010-0001	复位弹簧	Back spring	1	
E11-4	26118-A1010-0001	微调速弹簧	Fine regulating spring	1	
E11-5	26115-A1010-0001	调速拉杆	Pulling rod	1	
E11-6	T311-0002	螺母M6 GB/T6177.1	Nut M6	1	
E11-7	26114-A1010-0001	调速臂	Regulating arm	1	
E11-8	26116-A0710-0001	调速臂紧固螺栓	Lock bolt	1	

E-12 飞轮部件 FLYWHEEL



Id	PartNo	PartName	Description	Quantity	Remark
E12-1	23317-A0810-0002	飞轮螺母	Flywheel nut	1	
E12-2	23316-A1010-0002	起劲套	Nut M16×1.5	1	
E12-3	19111-A1210-0001	飞轮风扇	Fan	1	
E12-4	23300-A2610-0001	飞轮组合	Flywheel assy	1	

E-13 点火线圈组件 IGNITION COIL



Id	PartNo	PartName	Description	Quantity	Remark
E13-1	27200-A1010-0001	点火线圈组合(一)	Ignition coil assy	1	
E13-2	27220-A0710-0001	火花塞帽组件	Cap of spark plug assy	1	
E13-3	T152-0011	螺栓M6×30 GB/T5789	Bolt, M6×30	2	