



LF168F (5.5HP)  
LF168F-2 (6.5HP)

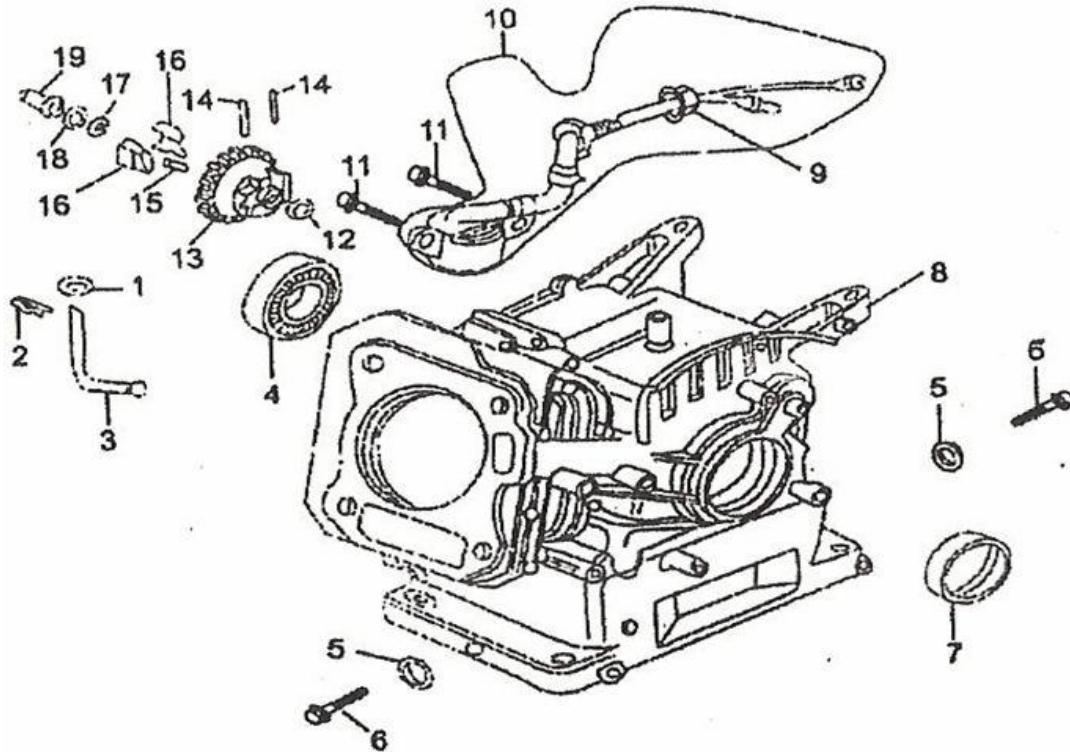
PARTS BREAKDOWN  
&  
ASSEMBLY DIAGRAM

Stout Racing Engines

[www.StoutRacingEngines.com](http://www.StoutRacingEngines.com)

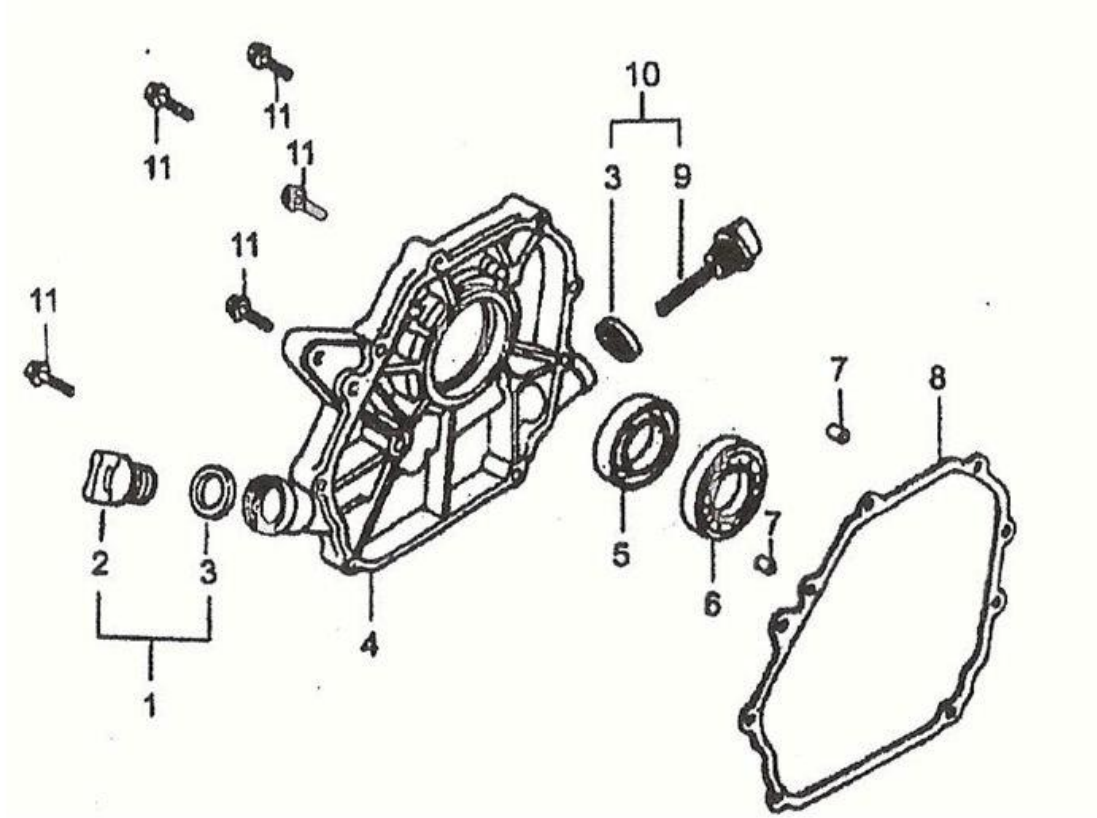
(423) 715-3897

# E-1 CRANKCASE



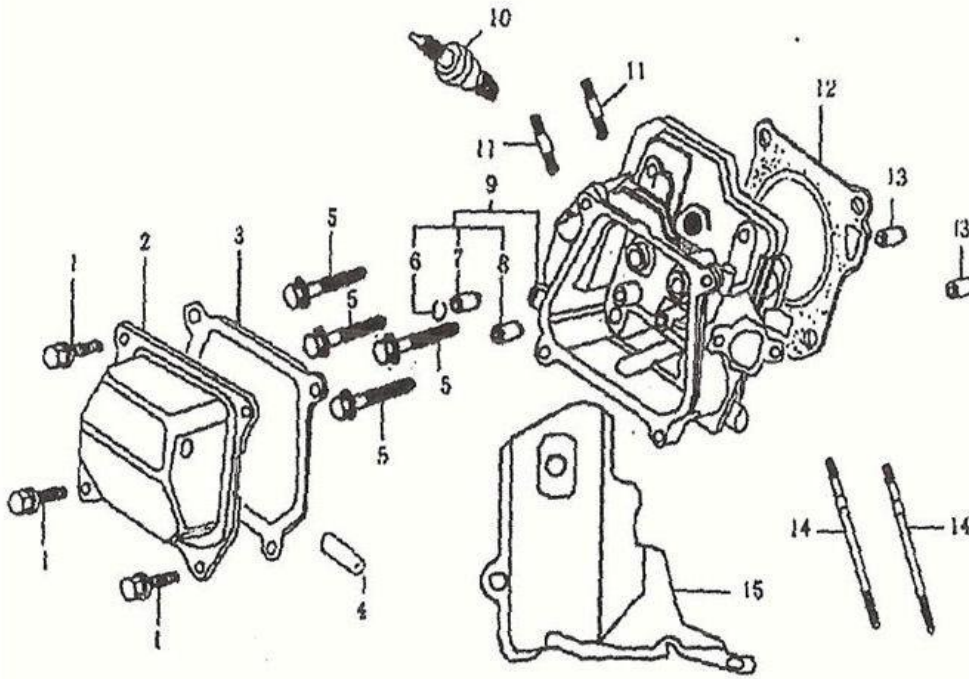
REF. NO.	PART NUMBER	DESCRIPTION
1	26329/168F	WASHER
2	26321/168F	SPLIT PIN
3	26311/168F	REGULATING SWAY BAR
4	GB276-89	BEARING 6205
5	11213/168F	WASHER
6	11212/168F	DRAIN PLUG
7	13180/168F	OIL SEAL, CRANKSHAFT
8	11100/168F	CRANKCASE
9	GB6177-86	NUT M10
10	37810/168F	OIL SENSOR
11	GB5787-86	BOLT M6X14
12	25165/168F	WASHER, DRIVEN GEAR
13	25121/168F	DRIVEN GEAR, REGULATOR
14	25163/168F	PIN
15	25151/168F	REGULATING SHAFT
16	25141/168F	FLYING BLOCK
17	25164/168F	SNAP RING
18	25132/168F	WASHER
19	25131/168F	SLIDING SLEEVE

# E-2 CRANKCASE COVER ASSY



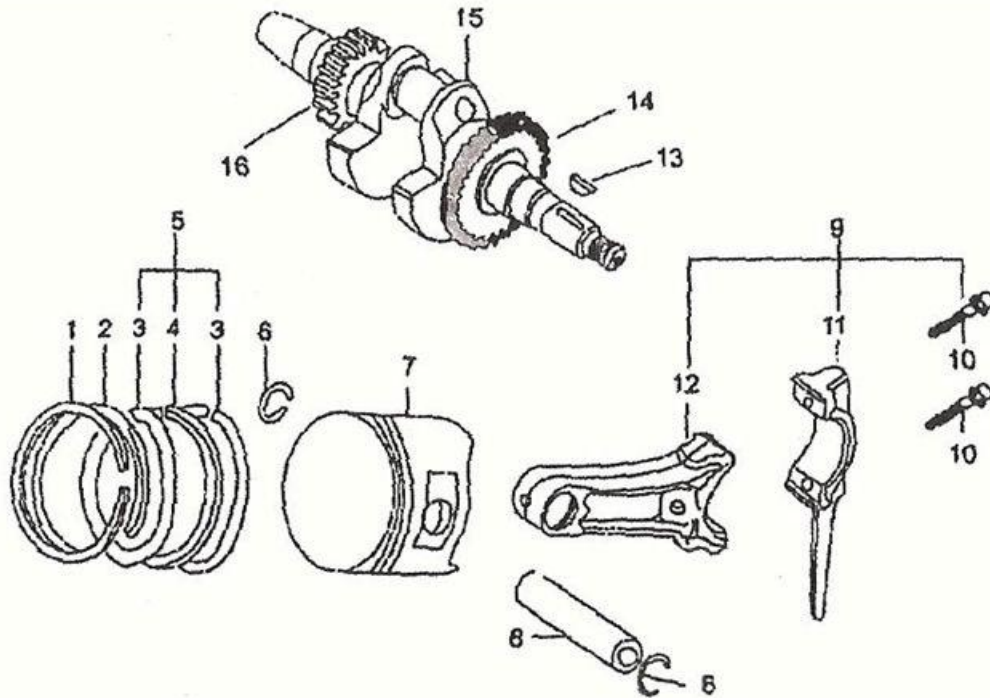
REF. NO.	PART NUMBER	DESCRIPTION
1	15650/168F	OIL PLUG WITH SEAL
2	15651/168F	OIL PLUG
3	15612/168F	SEAL
4	11311/168F	CRANKCASE COVER
5	13180/168F	OIL SEAL, CRANKSHAFT
6	GB276-89	BEARING 6205
7	11118/168F	SET PIN
8	11119/168F	GASKET, CRANKCASE
9	15611/168F	DIPSTICK
10	15610/168F	DIPSTICK WITH SEAL
11	GB5787-86	BOLT

# E-3 CYLINDER HEAD & CYLINDER HEAD COVER ASSY



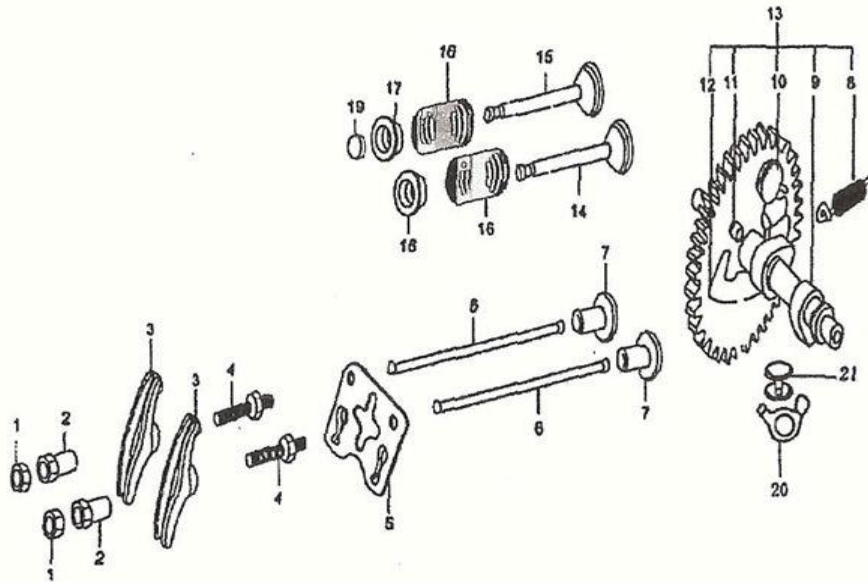
REF. NO.	PART NUMBER	DESCRIPTION
1	GB5787-86	BOLT M6X12
2	12310/168F	CYLINDER HEAD COVER ASSY
3	12312/168F	GASKET, CYLINDER HEAD COVER
4	20651/168F	AIR DUCK
5	12256/168F	BOLT M6X12
6	12219/168F	CLIP
7	12215/168F	EXHAUST VALVE GUIDE
8	12214/168F	INTAKE VALVE GUIDE
9	12210/168F	CYLINDER HEAD ASSY
10	34200/168F	SPARK PLUG F6RTC
11	12253/168F	STUD M8X34
12	1221/168F	GASKET, CYLINDER HEAD
13	12218/168F	SET PIN 10X16
14	12252/168F	STUD M6X113
15	19721/168F	LEAD WIND COVER

# E-4 CRANKSHAFT, PISTON AND ROD



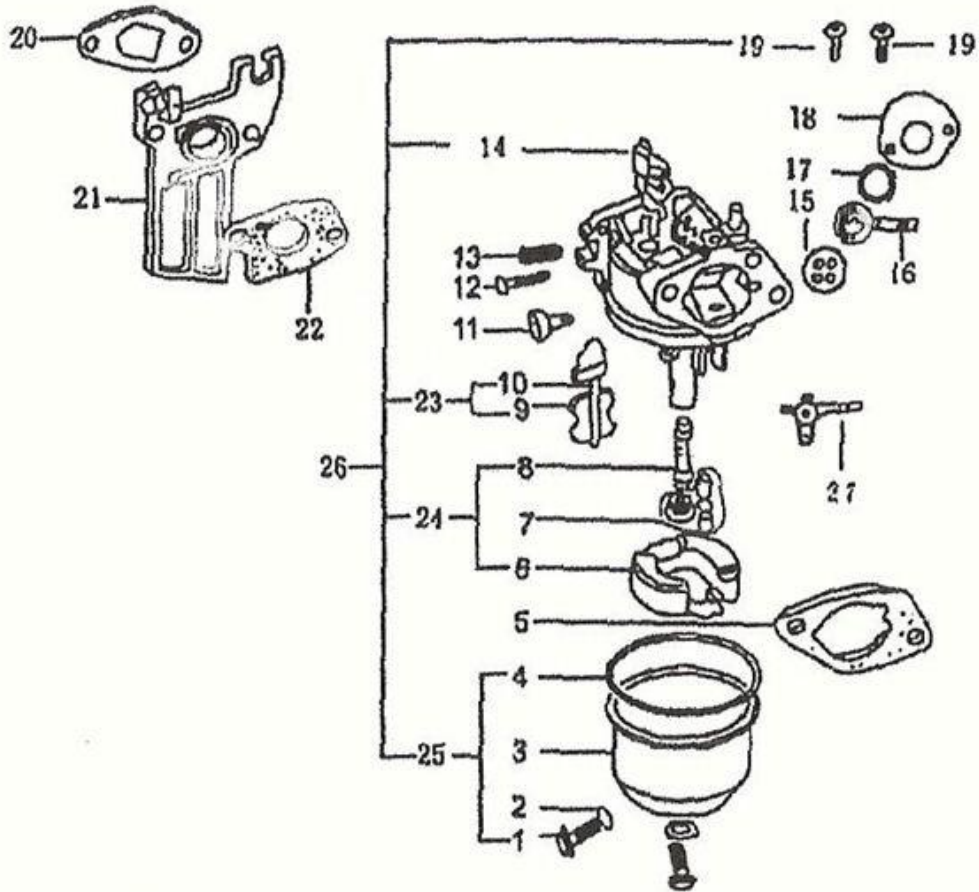
REF. NO.	PART NUMBER	DESCRIPTION
1	13311/168F	PISTON RING(I)
2	13312/168F	PISTON RING (II)
3	13322/168F	SIDE RING
4	13321/168F	WAVE RING
5	13320/168F	SCRAPER RING SET
6	13222/168F	PISTON PIN CIRCLIP
7	13211/168F	PISTON
8	13221/168F	PISTON PIN
9	13130/168F	TIE-ROD ASSY
10	13133/168F	BOLT
11	13132/168F	TIE-ROD-COVER
12	13131/168F	TIE-ROD
13	13118/168F	WOODRUFF KEY
14	25111/168F	DRIVE GEAR
15	13111	CRANKSHAFT
16	14211/168F	TIMING DRIVE GEAR

# E-5 COMBINATION OF CAM SHAFT & VALVE ROCKER



REF. NO.	PART NUMBER	DESCRIPTION
1	14416/168F	LOCK NUT
2	14413/168F	SLEEVE
3	14411/168F	VALVE ROCKER
4	14415/168F	VALVE GAP ADJUSTING BOLT
5	14161/168F	PUSHER GUIDE
6	14250/168F	PUSHER
7	14455	TAPPET
8	14146/168F	EXTENSION SPRING
9	14111	CAM
10	14149/168F	PIN
11	14118/168F	SPRING HANG PIN
12	14140/168F	AUTO-REDUCER SUBASSEMBLY
13	14100	CAMSHAFT ASSY
14	14711/168F	INTAKE VALVE
15	14721/168F	EXHAUST VALVE
16	14755/168F	VALVE SPRING
17	14757/168F	SPRING SEAT, EXHAUST VALVE
18	14751/168F	SPRING SEAT, INTAKE VALVE
19	14758/168F	CAP
20	14151/168F	LIMIT POSITION PANEL
21	14152/168F	PIN

# E-6 CARBURETOR ASSY



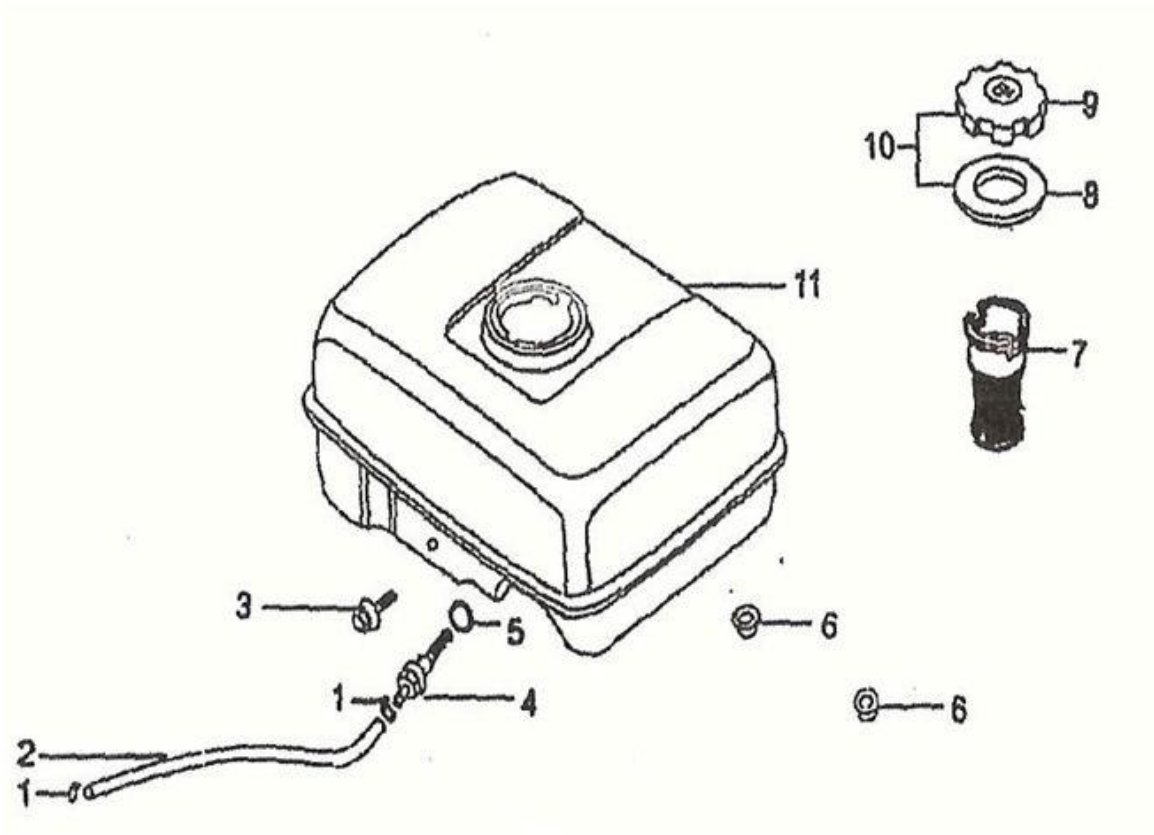
REF. NO.	PART NUMBER	DESCRIPTION
1	16215	FLOAT CHAMBER DRAIN SCREW
2	16216	WASHER
3	16211	FLOAT CHAMBER DRAIN SCREW
4	16219	FLOAT CHAMBER GASKET
5	17330/168F	AIR CLEANER GASKET
6	16230	FLOAT
7	16240	FLOAT NEEDLE
8	16251	MAIN JET
9	16331	CHOKE
10	16332	CHOKE STEM



11	16421	IDLE ADJUSTMENT SCREW
12	16425	MIXTURE ADJUSTMENT SCREW
13	16422	13 16422 SPRING, MIXTURE ADJUSTMENT SCREW
14	16280	THROTTLE UNIT
15	16312	AIRPROOF WASHER
16	16311	ACCELEGRAPH CONTROL UNIT
17	16313	WASHER
18	16314	COVER
19	GB5787-86	BOLT M4
20	12254/168F	INLET GASKET
21	16141/168F	CONNECTING BLOCK
22	16142/168F	CARBURETOR GASKET
23	16330	CHOKE UNIT
24	16240	FLOAT NEEDLE SUB. ASSY
25	16210	FLOAT CHAMBER
26	16100	CARBURETOR ASSY
27	16148/168F	CHOKE SWITCH

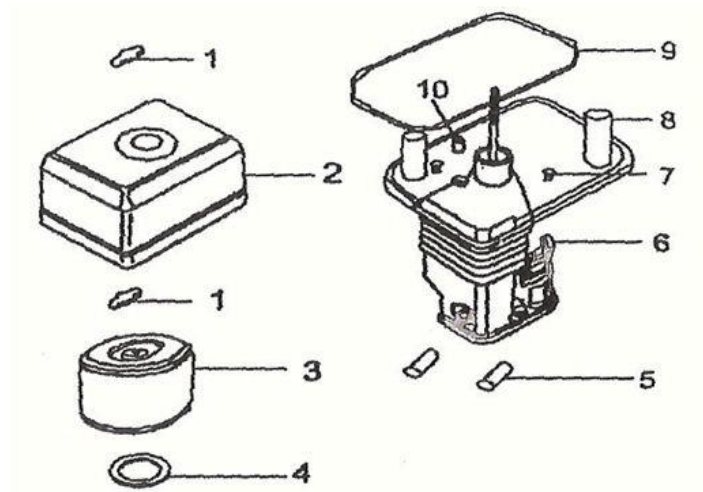


# E-7 FUEL TANK ASSY



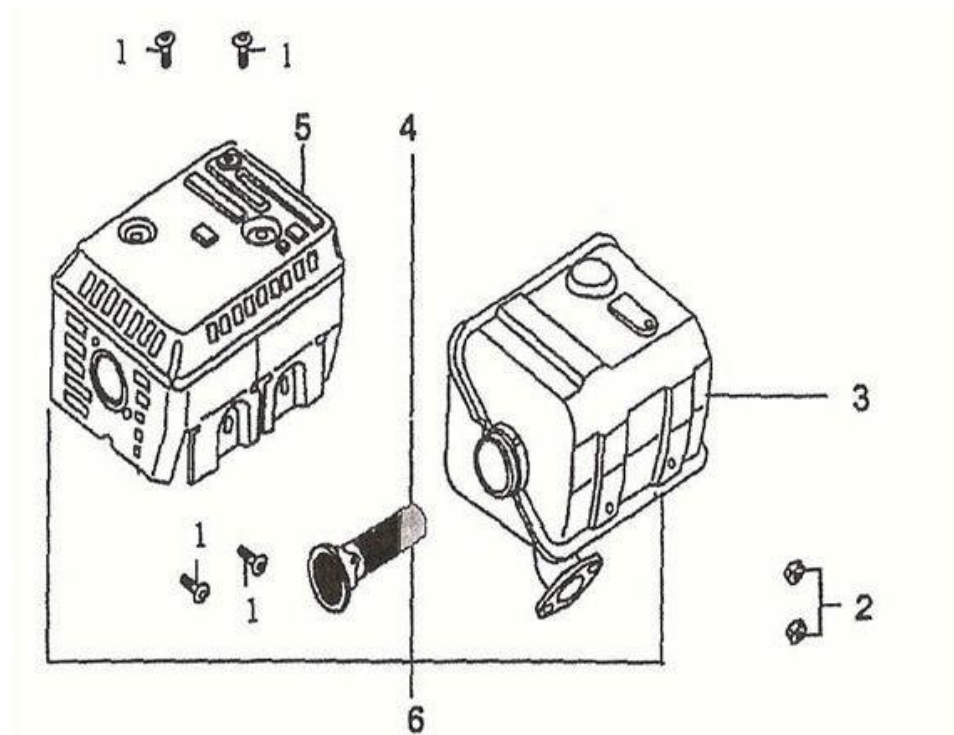
REF. NO.	PART NUMBER	DESCRIPTION
1	16937/168F	PIPE CLAMP
2	16931/168F	OUTLET PIPE
3	GB5787-86	BOLT M6X22
4	16950/168F	CONNECTOR
5	16961/168F	PACKING RING
6	GB6177-86	NUT M6
7	16916/168F	FILTER CUP
8	16521/168F	PACKING RING
9	16510/168F	FUEL FILLER CAP
10	16500/168F	FUEL FILLER CAP WITH PACKING RING
11	16610/168F	FUEL TANK

# E-8 AIR CLEANER ASSY



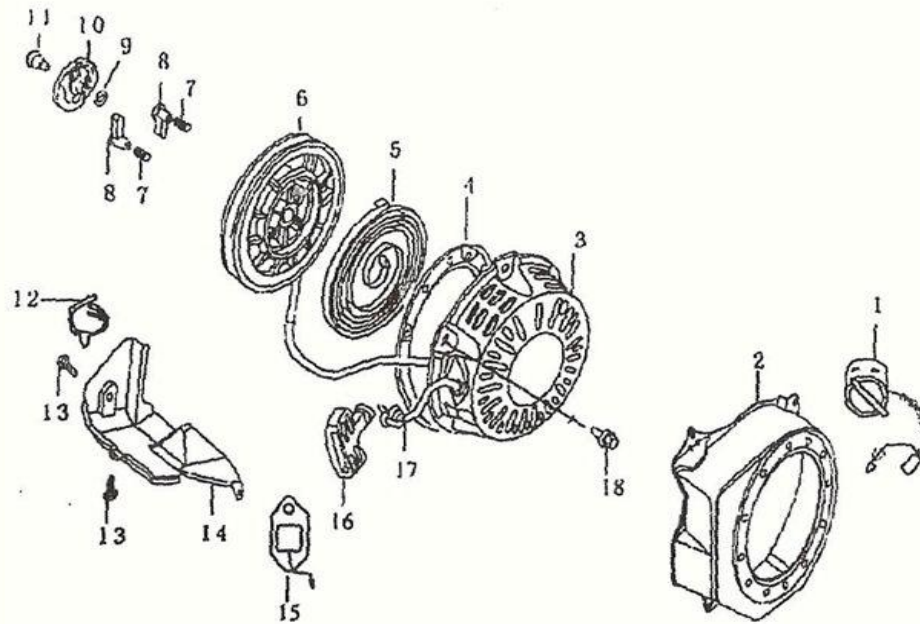
REF. NO.	PART NUMBER	DESCRIPTION
1	GB62-88	WING NUT
2	17111/168F	AIR CLEANER COVER
3	17130/168F	FILTER ELEMENT
4	17125/168F	WASHER
5	17126/168F	SLEEVE A
6	17131/168F	AIR CLEANER HOUSING
7	GB3115-82	SCREW M5X12
8	17141/168F	AIR CLEANER BASE
9	17145/168F	GASKET
10	17146/168F	SLEEVE B

# E-9 MUFFLER



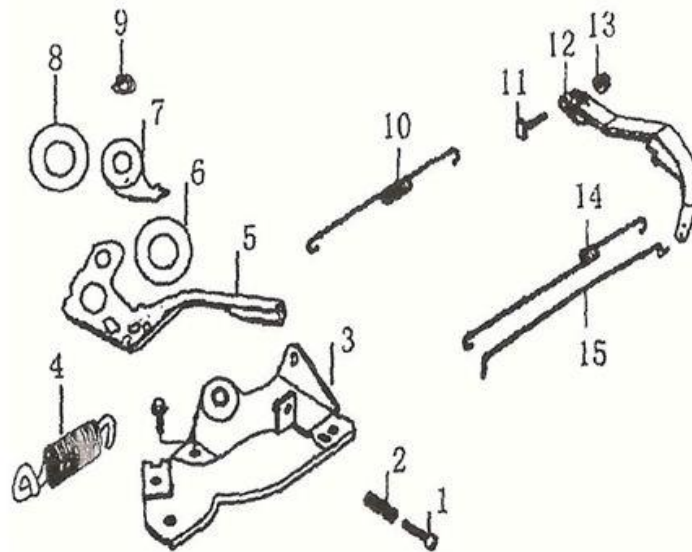
REF. NO.	PART NUMBER	DESCRIPTION
1	GB5787-86	SCREW M5X8
2	GB6170-86	NUT M8
3	18300/168F	MUFFLER
4	18310/168F	SPARK EXTINGUISHER
5	18611/168F	MUFFLER HOOD
6	18000/168F	EXHAUST MUFFLER

# E-10 KICK STARTER



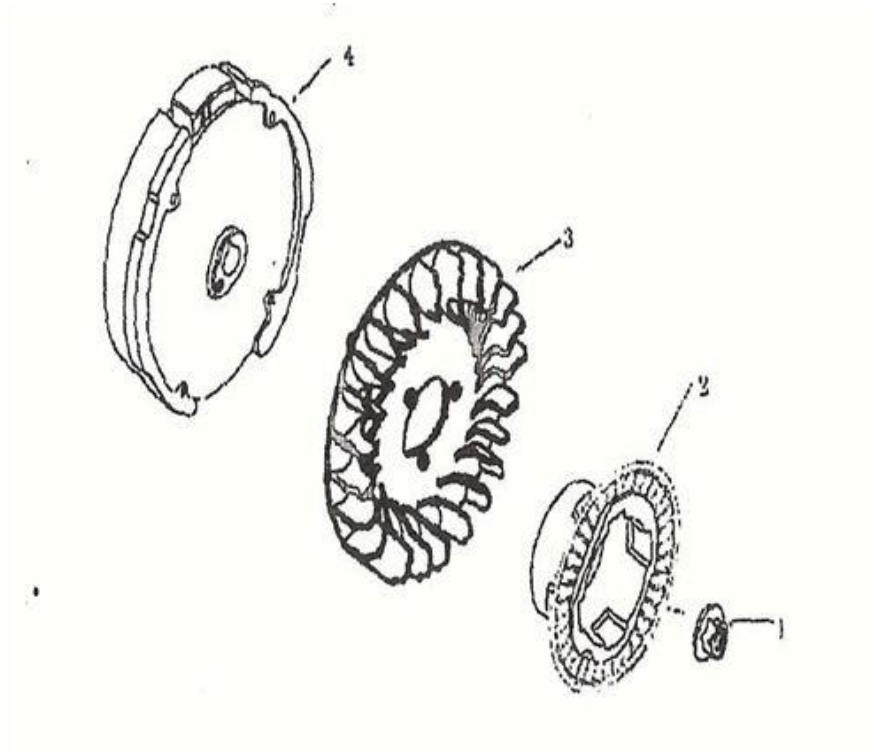
REF. NO.	PART NUMBER	DESCRIPTION
1	35410/168F	ENGINE SWITCH
2	19710	FAN HOOD
3	27380/168F	CASING
4	27390	RIM
5	27319/168F	SPIRAL SPRING
6	27351/168F	STARTER ROLLS
7	27312/168F	RATCHET SPRING
8	27331/168F	RATCHET
9	27311/168F	FRICION SPRING
10	27341/168F	SPRINGLID
11	27315/168F	SET SCREW
12	32211/168F	PLASTIC CLIP
13	GB5787-86	BOLT M6X12
14	19820/168F	CRANKCASE SIDE PLATE WELDMENT
15	37850/168F	DIODE
16	27361/168F	PULLING HANDLE
17	27313/168F	ROPE
18	GB5787-86	SCREW M6X18

# E-11 REGULATING CONTROL SYSTEM



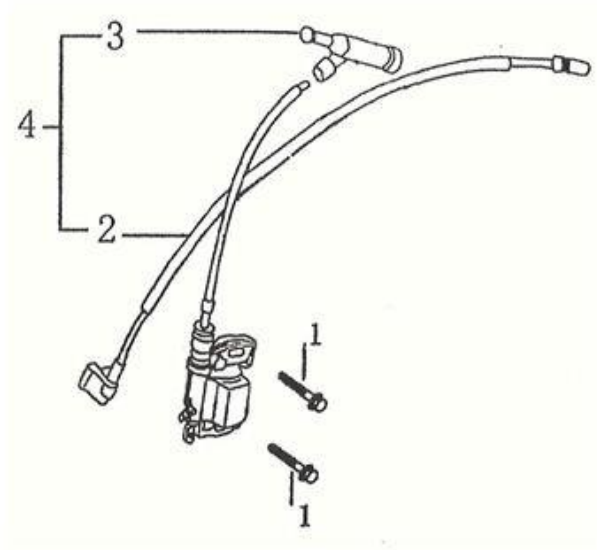
REF. NO.	PART NUMBER	DESCRIPTION
1	GB818-85-H	BOLT M5X35
2	26415/168F	REGULATING SPRING
3	26421/168F	SUPPORT PANEL
4	26416/168F	SPRING
5	26430/168F	HANDGRIP ASSY
6	26419/168F	WASHER
7	26414/168F	ORIENTATION PANEL
8	26418/168F	SPRING PATCH
9	GB6173-86	NUT M6
10	26363/168F	BACK SPRING
11	26362/168F	LOCK BOLT
12	26331/168F	REGULATING ARM
13	GB6177-86	NUT M6
14	26364/168F	FINE REGULATING SPRING
15	26341/168F	PULLING ROD

# E-12 FLYWHEEL



REF. NO.	PART NUMBER	DESCRIPTION
1	27515/168F	NUT M14X1.5
2	27370	STARTING FLANGE
3	19722/168F	FLYWHEEL FAN
4	27500/168F	FLYWHEEL

# E-13 IGNITION COIL



REF. NO.	PART NUMBER	DESCRIPTION
1	GB5787-86	SCREW M6X22
2	34410/168F	2 EXTINGUISHING CABLE
3	34310/168F	3 SPARK PLUG CAP
4	34500/168F	4 IGNITION COIL





**190 Starlet Circle NE  
Cleveland TN 37323**

**Contact: Lewis Stout**

**(423) 715-3897**

**Email: [gummy07@charter.net](mailto:gummy07@charter.net)**

**[www.StoutRacingEngines.com](http://www.StoutRacingEngines.com)**