



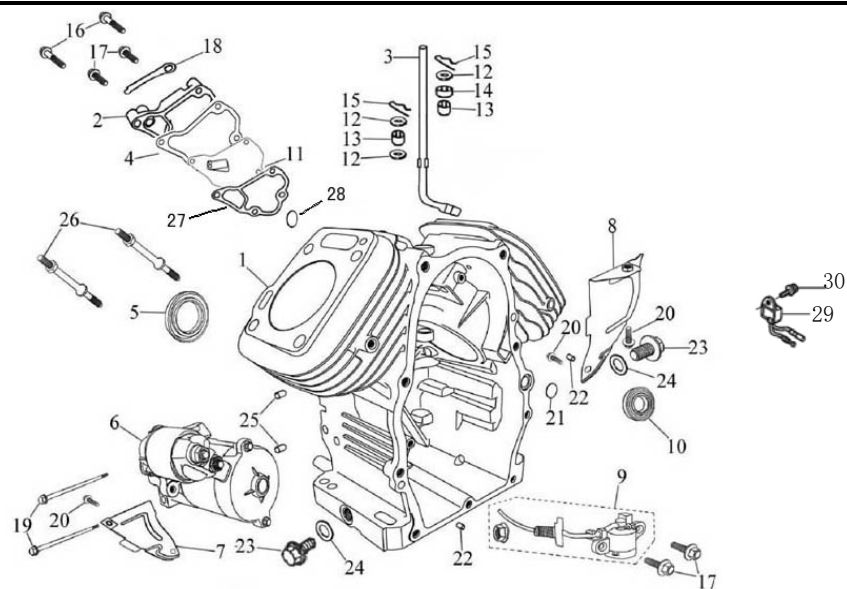
汽油机零部件图册

PART CATALOGUE

LC2V78F-2

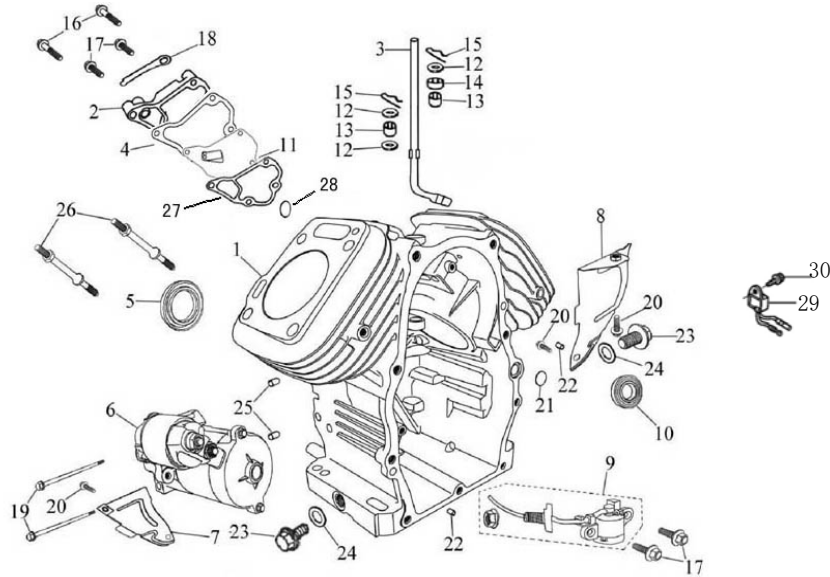


LONCIN MOTOR CO.,LTD.



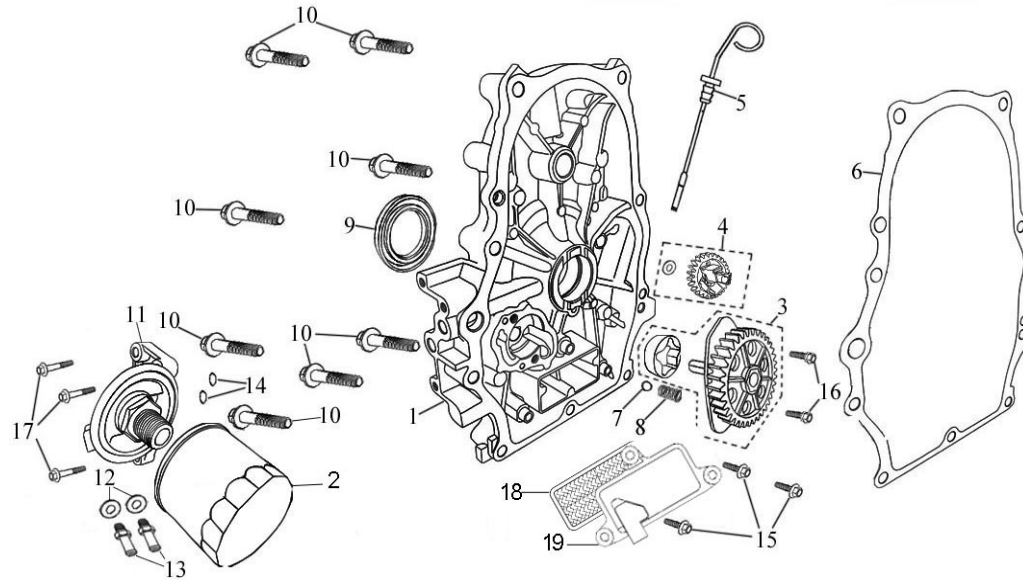
曲轴箱体 (Crankcase)

序号	零部件编号	零部件名称	Description	规格状态	数量	单位	易损属性
Ser. No.	Part No.				Reqd. QTY	UNIT	CONSUMABLE GRADE
1	110810200-0001	曲轴箱体	Crankcase body	T240_有孔,两充电线圈安装螺纹孔;	1	件/PIECES	B
2	110840021-0001	呼吸槽盖板	CAP, BREATHER CHAMBER	T200;	1	件/PIECES	C
3	171630012-0001	调速臂	Speed regulating arm	T200;	1	件/PIECES	B
4	110850017-0001	呼吸槽密封垫	PACKING, BREATHER CHAMBER	T240_簧片阀用;	1	件/PIECES	A
5	380650376-0001	油封	Oil seal	T200_d=38_D=58_b=9;	1	件/PIECES	A
6	270360048-0001	起动机部件	Components of starting motor	T240;	1	件/PIECES	B
7	160200029-0001	发动机导流罩	Side plate	T240_箱体左侧护罩;	1	件/PIECES	C
8	160200030-0001	发动机导流罩	Side plate	T240_箱体右侧护罩;	1	件/PIECES	C
9	270790006-0001	发动机传感器	Engine sensor	T240_机油传感器;	1	件/PIECES	B
10	380630255-0001	轴承	Bearing	GB/T 276_6003_带防尘盖;	1	件/PIECES	B
11	110840020-0001	呼吸槽盖板	CAP, BREATHER CHAMBER	T240_带簧片阀;	1	件/PIECES	B
12	380450592-0001	平垫圈	Flat washer	T200_内径8.5_外径15.8_厚度2_调速臂;	3	件/PIECES	C
13	380630254-0001	轴承	Bearing	GB/T 290_HK081210;	2	件/PIECES	B
14	380650377-0001	油封	Oil seal	T200_d=8_D=14_b=5;	1	件/PIECES	A
15	381350004-0001	销夹	Pin clip	T040_调速臂用;	2	件/PIECES	B



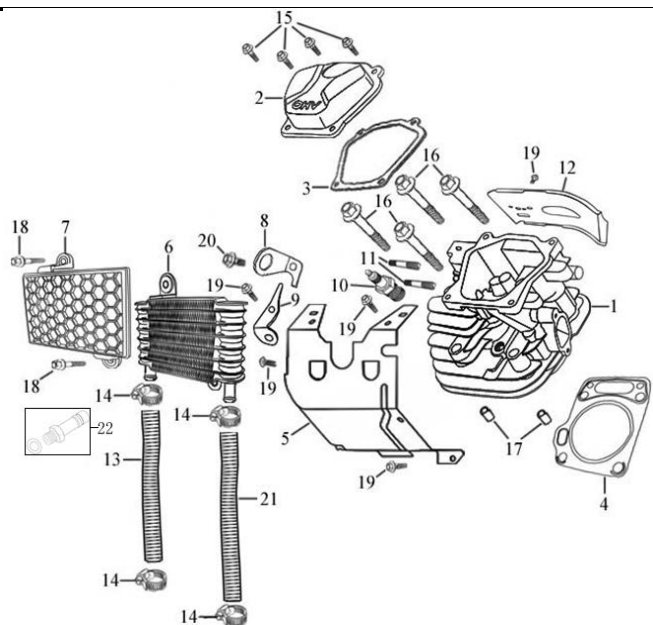
曲轴箱体 (Crankcase)

序号	零部件编号	零部件名称	Description	规格状态	数量	单位	易损属性
Ser. No.	Part No.				Reqd. QTY	UNIT	CONSUMABLE GRADE
16	380140054-0003	六角头法兰面螺栓	Hexagon bolt with flange	GB/T 5789_M6_L=30;镀蓝白锌Q16	2	件/PIECES	C
17	380140013-0005	六角头法兰面螺栓	Hexagon bolt with flange	GB/T 5789_M6_L=16;镀蓝白锌Q16	4	件/PIECES	C
18	110480001-0001	压线板	Pressing plate	T200;	1	件/PIECES	C
19	380140280-0004	六角头法兰面螺栓	Hexagon bolt with flange	GB/T 16674.1_M8_L=110;镀蓝白锌Q16	2	件/PIECES	C
20	380140067-0003	六角头法兰面螺栓	Hexagon bolt with flange	GB/T 5789_M6_L=12;镀蓝白锌Q16	3	件/PIECES	C
21	380840542-0001	密封圈	Seal ring	T200_合箱面_D=13.7_d=2.75;	1	件/PIECES	A
22	380600120-0001	定位销	ocation pin	T040_d=8_L=14;	2	件/PIECES	C
23	110260001-0001	密封螺塞	Sealing plug screw	T200_M14×15;镀蓝白锌 Q16	2	件/PIECES	C
24	380450591-0001	平垫圈	Flat washer	Q/LX G 8.7_内径14_外径22_厚度2_放油	2	件/PIECES	C
25	380600123-0001	定位销	ocation pin	T370_d=10_L=12;	2	件/PIECES	C
26	380850013-0001	双头支撑螺栓	Stay stud	T200_M6_L=102;镀蓝白锌Q16	2	件/PIECES	C
27	110850009-0001	呼吸槽密封垫	PACKING, BREATHER CHAMBER	T240;	1	件/PIECES	C
28	110860003-0001	呼吸片	Breath fin	T240;	1	件/PIECES	C
29	281890004-0001	机油保护器	Engine oil protector	T240_后延时;	1	件/PIECES	A
30	380140011-0004	六角头法兰面螺栓	Hexagon bolt with flange	GB/T 16674.1_M6_L=10;镀蓝白锌Q16	1	件/PIECES	C



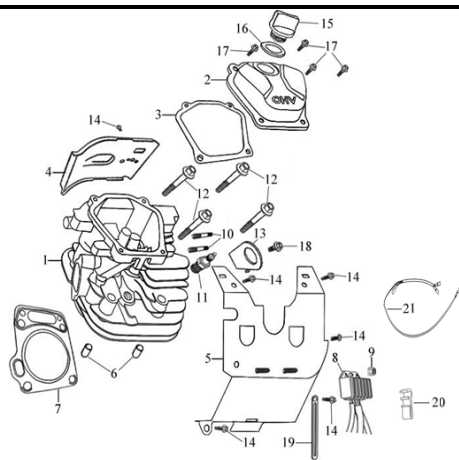
曲轴箱盖 (CRANKCASE COVER)

序号	零部件编号	零部件名称	Description	规格状态	数量	单位	易损属性
Ser. No.	Part No.				Reqd. QTY	UNIT	CONSUMABLE GRADE
1	110820036-0001	曲轴箱盖	Crankcase cover	T240; 含Hg/Cr6/Pb/PBB/PBDE≤1000ppm,	1	件/PIECES	C
2	150350019-0001	机油精滤器组合	Oil filter	T200;	1	件/PIECES	B
3	150010055-0001	机油泵部件	Components of oil pump	T200;	1	套/SETS	B
4	171750016-0001	调速齿轮部件	Components of governor gear	T200;	1	套/SETS	B
5	110690030-0001	机油尺组合	Oil rule combination	T240;	1	件/PIECES	C
6	110830024-0001	曲轴箱盖密封垫	Crankcase cover gasket	T200;	1	件/PIECES	A
7	380640016-0001	钢球	Steel ball	GB/T 308 Φ9.5;	1	件/PIECES	B
8	381150370-0001	压簧	Compression spring	T200_油泵弹簧;	1	件/PIECES	A
9	380650554-0001	油封	Oil seal	T240_d=38_D=58_b=9_氟橡胶VITON, 带回	1	件/PIECES	A
10	380140339-0001	六角头法兰面螺栓	Hexagon bolt with flange	T320_M8_L=50; 镀蓝白锌Q16	9	件/PIECES	C
11	150490007-0001	机油滤清器座	Engine oil filter seat	T200;	1	件/PIECES	C
14	380840846-0001	密封圈	Seal ring	T240_矩形截面_D=9.5_外径16.2_d=2.5_	2	件/PIECES	A
15	380140013-0005	六角头法兰面螺栓	Hexagon bolt with flange	GB/T 5789_M6_L=16; 镀蓝白锌Q16	3	件/PIECES	C



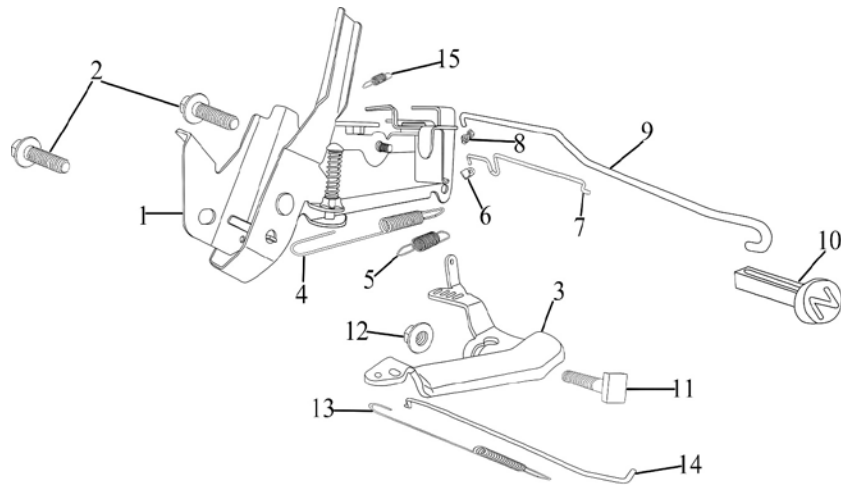
气缸头I总成 (CYLINDER HEAD ASSY)

序号	零部件编号	零部件名称	Description	规格状态	数量	单位	易损属性
Ser. No.	Part No.				Reqd. QTY	UNIT	CONSUMABLE GRADE
1	120080535-0001	气缸头	Cylinder head	T240_左气缸头, 锁夹状态;	1	件/PIECES	B
2	120230106-0002	气缸头盖	Cylinder head cover	T240_(左)气缸头盖_铝合金;	1	件/PIECES	C
3	120250044-0001	气缸头盖密封垫	Gasket for cylinder head cover	T240_厚1.0_无石棉;	1	件/PIECES	A
4	120150111-0001	气缸头密封垫	Gasket for cylinder head	T200;	1	件/PIECES	A
5	160190023-0001	空气导流罩	air deflector	T240_气缸头_导风罩I;	1	件/PIECES	C
6	160020003-0001	散热器本体	Heat sink Noumenon	T200_油冷;	1	件/PIECES	B
7	160830001-0001	散热器保护罩	Heat sink Part Protection cover	T200;	1	件/PIECES	B
8	120550001-0001	吊耳	Lifting eye	T200;	1	件/PIECES	C
9	150730001-0001	机油冷凝器安装支架	Supporting rack for engine oil cooler	T240;	1	件/PIECES	C
10	270960014-0001	火花塞	Spark plug	F7RTC_无干扰;	1	件/PIECES	A
11	380180109-0001	双头螺栓	Stud	T200_M8_L=40;镀蓝白锌Q16	2	件/PIECES	C
12	160190025-0001	空气导流罩	air deflector	T200_气缸头_导风板I;	1	件/PIECES	C
13	380750755-0001	油管	Oil tube	T240_内径9.5_外径17.4_长300_普利	1	件/PIECES	A



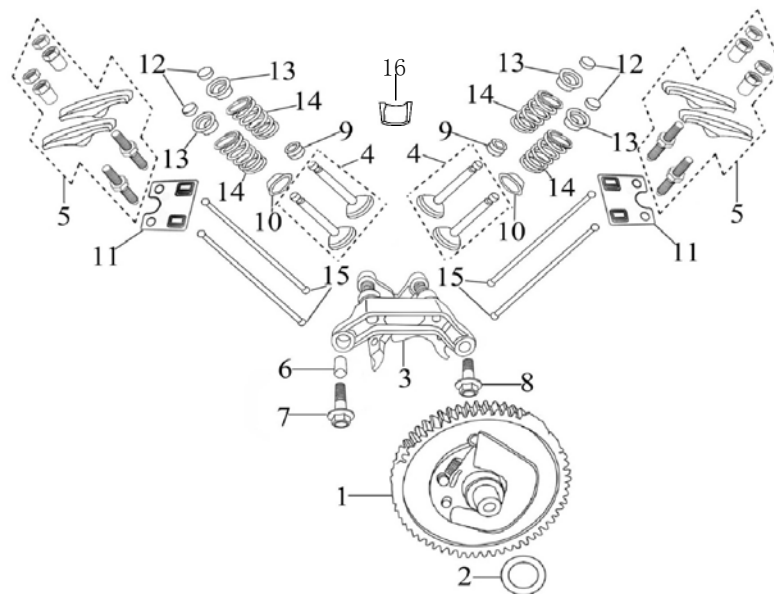
气缸头II总成 (CYLINDER HEAD ASSY)

序号	零部件编号	零部件名称	Description	规格状态	数量	单位	易损属性
Ser. No.	Part No.				Reqd. QTY	UNIT	CONSUMABLE GRADE
1	120080536-0001	气缸头	Cylinder head	T240_右气缸头, 锁夹状态;	1	件/PIECES	B
2	120230107-0002	气缸头盖	Cylinder head cover	T240_(右)气缸头盖_铝合金;	1	件/PIECES	C
3	120250044-0001	气缸头盖密封垫	Gasket for cylinder head cover	T240_厚1.0_无石棉;	1	件/PIECES	A
4	160190025-0001	空气导流罩	air deflector	T200_气缸头_导风板I;	1	件/PIECES	C
5	160190083-0001	空气导流罩	air deflector	T240_气缸头_集成20A全波整流用_安装螺	1	件/PIECES	C
6	380600116-0001	定位销	ocation pin	T110_d=12_L=20;	2	件/PIECES	C
7	120150111-0001	气缸头密封垫	Gasket for cylinder head	T200;	1	件/PIECES	A
8	273020003-0001	熄火单向器	Stop isolator	T240_集成20A全波整流器;	1	件/PIECES	A
9	380370012-0005	六角法兰面螺母	Hexagon nut with flange	GB/T 6177.1_M5;镀蓝白锌Q16	1	件/PIECES	C
10	380180109-0001	双头螺栓	Stud	T200_M8_L=40;镀蓝白锌Q16	2	件/PIECES	C
11	270960014-0001	火花塞	Spark plug	F7RTC_无干扰;	1	件/PIECES	A
12	380140337-0001	六角头法兰面螺栓	Hexagon bolt with flange	T110_M10_L=80;镀蓝白锌Q16	4	件/PIECES	C
13	120550001-0001	吊耳	Lifting eye	T200;	1	件/PIECES	C



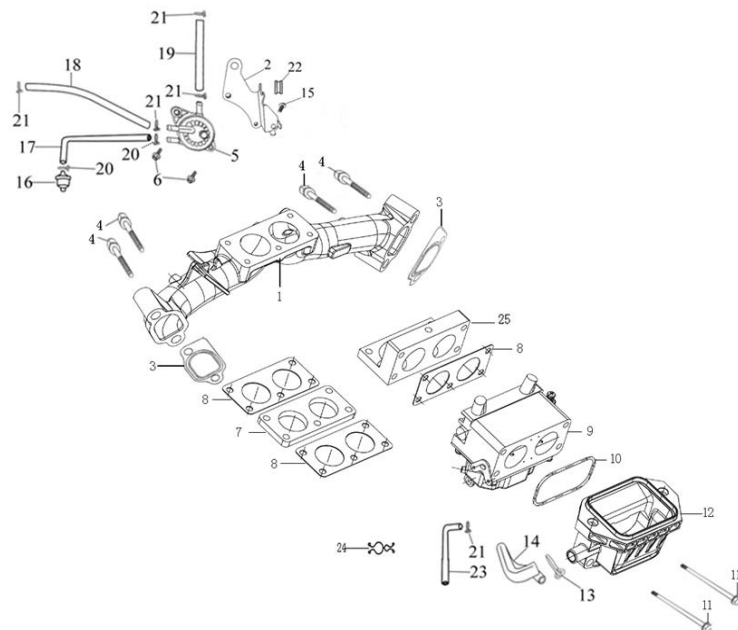
调速控制组件 (REGULATING BOARD)

序号	零部件编号	零部件名称	Description	规格状态	数量	单位	易损属性
Ser. No.	Part No.				Reqd. QTY	UNIT	CONSUMABLE GRADE
1	171730008-0001	调速支撑板	Support plate for speed regulating	T240_单机用;	1	件/PIECES	C
2	380140013-0005	六角头法兰面螺栓	Hexagon bolt with flange	GB/T 5789_M6_L=16;镀蓝白锌Q16	2	件/PIECES	C
3	171620017-0002	调速支架	Speed regulating bracket	T240;带方头平端紧定螺钉/六角法兰面螺母	1	件/PIECES	B
4	171600059-0001	调速弹簧	Governing spring	T240_18.75圈,长95_60Hz;	1	件/PIECES	A
5	171600061-0001	调速弹簧	Governing spring	T241_19.5圈,长50;	1	件/PIECES	A
6	173090001-0001	阻风门拉杆锁夹	Locker of choke valve pull rod	T200_锁夹 I_电机用;	1	件/PIECES	B
7	171650027-0001	阻风门拉杆	Choke valve pull rod	T241;	1	件/PIECES	B
8	173090002-0001	阻风门拉杆锁夹	Locker of choke valve pull rod	T200_锁夹 II_单机用;	1	件/PIECES	B
9	171650007-0001	阻风门拉杆	Choke valve pull rod	T240_单机用;	1	件/PIECES	B
10	170060032-0001	化油器阻风门手柄	Handle of carburetor choke valve	T240_单机;	1	件/PIECES	A
11	380250003-0001	方头平端紧定螺钉	Square head set screw with flat point	T040_M6_L=21(16mm);调速支架固定	1	件/PIECES	C
12	380370066-0001	六角法兰面螺母	Hexagon nut with flange	GB/T 6177.1_不带防滑齿_M6;镀蓝白锌Q16	1	件/PIECES	C
13	171610021-0001	节气门复位弹簧	throttle return spring	T241_28.75圈,长100;	1	件/PIECES	A
14	171590024-0001	油门拉杆	Throttle rod	T241;	1	件/PIECES	B
15	381140396-0001	拉簧	Tension spring	T200_阻风门复位弹簧;	1	件/PIECES	A

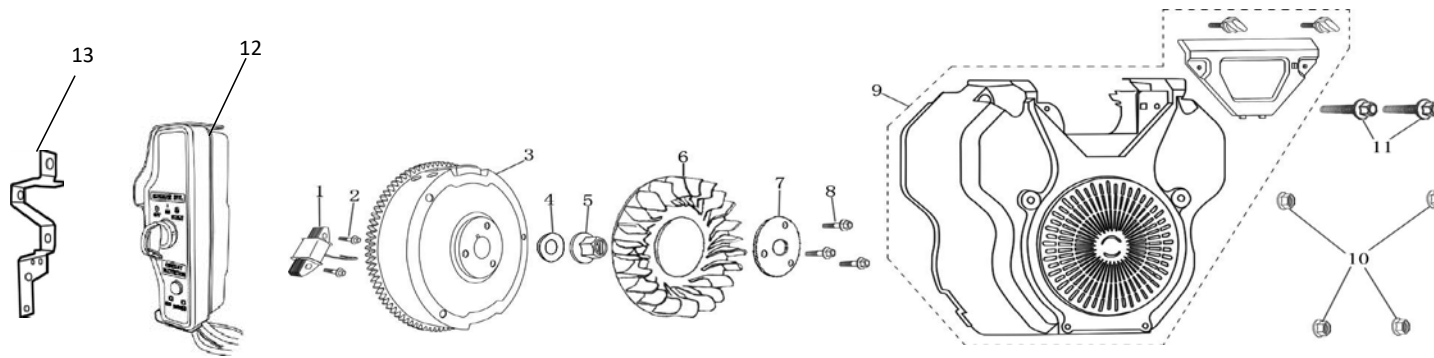


凸轮轴、气门摇臂组合 (CAMSHAFT ASSY)

序号	零部件编号	零部件名称	Description	规格状态	数量	单位	易损属性
Ser. No.	Part No.				Reqd. QTY	UNIT	CONSUMABLE GRADE
1	140020067-0001	凸轮轴组合	Camshaft assy	T200;	1	件/PIECES	B
2	380450590-0001	平垫圈	Flat washer	T240_内径17.4_外径25.9_厚度1_凸轮	1	件/PIECES	C
3	140540027-0001	摇臂支撑座	Rocker support seat	T240_锻件;	1	件/PIECES	C
4	500550030-0001	气门套件	Valve Kit	T11D_锁夹状态;含Hg/Cr6/Pb/PBB/PBD	2	套/SETS	B
5	140450023-0001	气门摇臂组合	Valve rocker combination	T110;	4	套/SETS	B
6	380600119-0001	定位销	ocation pin	T110_d=8_L=12;	1	件/PIECES	C
7	380140077-0005	六角头法兰面螺栓	Hexagon bolt with flange	GB/T 5789_M6_L=20;镀蓝白锌Q16	1	件/PIECES	C
8	380140108-0004	六角头法兰面螺栓	Hexagon bolt with flange	GB/T 5789_M8_L=16;镀蓝白锌Q16	1	件/PIECES	C
9	140400012-0001	挡油罩	Valve oil seal	T110;含Hg/Cr6/Pb/PBB/PBDE≤1000pp	2	件/PIECES	A
10	140360010-0001	气门内弹簧座圈	Seat, valve spring	T110;	2	件/PIECES	B
11	140710016-0001	推杆限位板组合	Plate, push rod guide	T240;镀蓝白锌Q16	2	件/PIECES	C
12	140320002-0001	气门调整帽	Valve adjustment cap	T110;	4	件/PIECES	B
13	140380021-0001	气门弹簧座	Retainer, valve spring	T11D_锁夹状态(通机)_排气门用;	4	件/PIECES	B
14	140340025-0001	气门内弹簧	Inner spring of valve	T11D_调软状态;含Hg/Cr6/Pb/PBB/PBD	4	件/PIECES	B
15	140670017-0001	挺杆组合	Push rod	T200;	4	件/PIECES	B
16	140390015-0001	气门锁夹	Valve locker	T11D;	8	件/PIECES	B



序号	零部件编号	名称	DESCRIPTION	规格	数量	单位	易损属性
Ser. No.	Part No.				Reqd. QTY	UNIT	CONSUMABLE GRADE
1	180420581-0001	进气管	Intake pipe	T241_双腔, 铝合金;	1	件/PIECES	C
2	170470002-0001	汽油泵支架	Gasoline pump bracket	T240;	1	件/PIECES	C
3	170430086-0001	化油器密封垫	Carburetor gasket	T200_进气管密封垫;	2	件/PIECES	A
4	380190053-0002	内六角螺钉	Socket head screw	GB/T 70.1_M8_L=50; 镀蓝白锌Q16	4	件/PIECES	C
5	170460010-0001	汽油泵	Gasoline pump	T381;	1	件/PIECES	B
6	380140067-0003	六角头法兰面螺栓	Hexagon bolt with flange	GB/T 5789_M6_L=12; 镀蓝白锌Q16	2	件/PIECES	C
7	170440085-0001	化油器隔热垫	Heat insulating pad for carburetor	T241_PA6;	1	件/PIECES	B
8	170430161-0001	化油器密封垫	Carburetor gasket	T241_厚0.5_无石棉, BNS-JM101;	2	件/PIECES	A
9	170021479-0001	化油器	Carburetor	T241; 铜镀镍针阀	1	件/PIECES	B
10	380840936-0001	密封圈	Seal ring	T240_D=61_d=2.4;	1	件/PIECES	A
11	380140538-0001	六角头法兰面螺栓	Hexagon bolt with flange	GB/T 5789_M6_L=90; 镀蓝白锌Q16	4	件/PIECES	C
12	180180129-0001	空滤器连接管	Air filter connecting tube	T241_PP料_双腔;	1	件/PIECES	B
13	380950212-0001	管夹	Pipe clip	T200_Φ16.5_废气管夹;	2	件/PIECES	B
14	380740511-0001	通气管	Breather tube	T200_异型_丁腈橡胶_废气管;	1	件/PIECES	A
15	380140013-0005	六角头法兰面螺栓	Hexagon bolt with flange	GB/T 5789_M6_L=16; 镀蓝白锌Q16	1	件/PIECES	C



磁电机转子、风扇罩 (FLYWHEEL)

序号	零部件编号	零部件名称	Description	规格状态	数量	单位	易损属性
Ser.No.	Part No.				Reqd. QTY	UNIT	CONSUMABLE GRADE
1	270190017-0001	充电线圈部件	Components of charging current armature	T240_多极, AC, 300W;	1	件/PIECES	A
2	380140054-0003	六角头法兰面螺栓	hexagon bolt with flange	GB/T 5789_M6_L=30; 镀蓝白锌Q16	2	件/PIECES	C
3	270020211-0001	磁电机转子部件	FLYWHEEL COMP	T240_18块内磁钢;	1	件/PIECES	B
4	380450596-0001	平垫圈	Flat washer	Q/LX G 8.7_内径20.5_外径40_厚度5;	1	件/PIECES	C
5	380370064-0001	六角法兰面螺母	Hexagon nut with flange	GB/T 6177.1_M20×1.5_磁电机螺母; 镀蓝	1	件/PIECES	C
6	160180017-0001	叶轮	Impeller	T200;	1	件/PIECES	B
7	660880001-0001	叶轮压板	Impeller pressing plate	T200;	1	件/PIECES	C
8	380140108-0004	六角头法兰面螺栓	hexagon bolt with flange	GB/T 5789_M8_L=16; 镀蓝白锌Q16	3	件/PIECES	C
9	160210029-0001	风扇罩部件	Fan cover comp.	T240_单机用;	1	件/PIECES	B
10	380370048-0001	六角法兰面螺母	Hexagon nut with flange	GB/T 6177.1_M6; 镀蓝白锌Q16	4	件/PIECES	C
11	380140103-0004	六角头法兰面螺栓	hexagon bolt with flange	GB/T 5789_M6_L=25; 镀蓝白锌Q16	2	件/PIECES	C
12	271050008-0002	启动控制盒	Initiate control box	T240; 纯黑H01_不带充电线	1	件/PIECES	B
13	270860026-0001	电器件安装支架	Mounting bracket for electric device	T240_电启动控制盒安装_单机用;	1	件/PIECES	C

