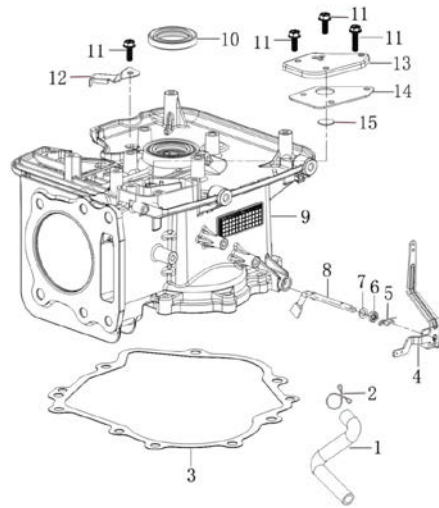


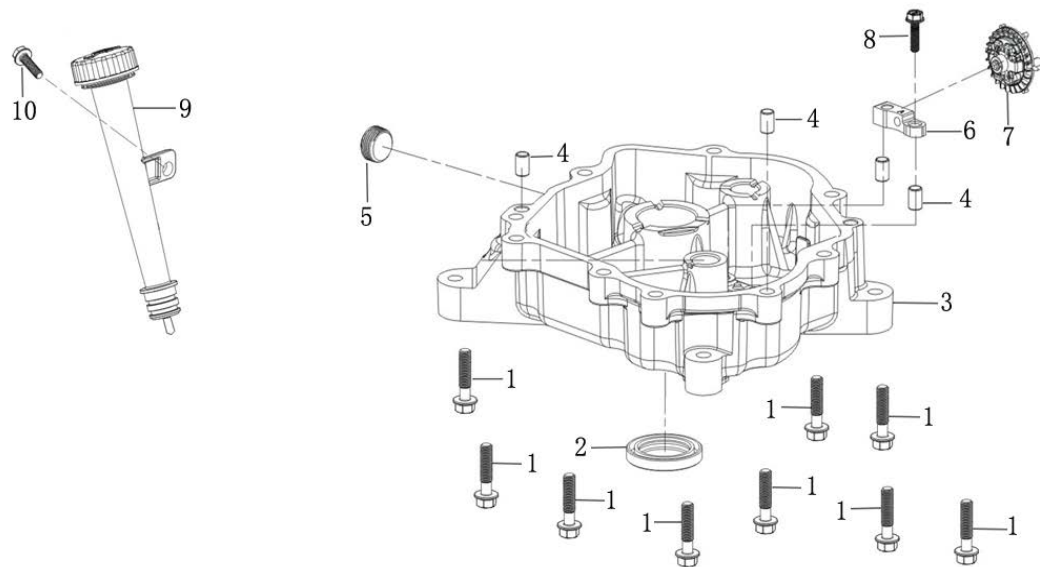
### 气缸头 (CYLINDER HEAD)

序号	零部件图号	零部件名称	Description	规格状态	数量	易损属性
No.	Part No.				Reqd. QTY	CONSUMABLE GRADE
1	380140103-0004	六角头法兰面螺栓	Hexagon bolt with flange	GB/T 5789_M6_L=25; 镀蓝白锌Q16	4	C
2	120230137-0001	气缸头盖	Cylinder head cover	T440_铝合金;	1	C
3	120250051-0001	气缸头盖密封垫	Gasket for cylinder head cover	T440_interface(N-8092);	1	A
4	380140454-0002	六角头法兰面螺栓	Hexagon bolt with flange	T440_M10×1.25_L=65_缸头连接螺栓	6	C
5	120080566-0001	气缸头	Cylinder head	T440;	1	B
6	120150251-0001	气缸头密封垫	Gasket for cylinder head	T440_石墨_B款;	1	A
7	380600116-0001	定位销	Location pin	T110_d=12_L=20;	2	C
8	270960028-0002	火花塞	Spark plug	RC12YC;Cr3+钝化	1	A
9	180650074-0001	排气口密封垫	Outlet gasket	T370_石墨;	1	A
10	380180131-0001	双头螺栓	Stud	T180_M6/8_L=130; 镀蓝白锌Q16	2	C
11	160190119-0001	空气导流罩	air deflector	T441; 镀蓝白锌Q16	1	C
12	180590307-0001	排气管	Outlet pipe	T441_直管;	1	B
13	380190168-0001	内六角螺钉	Socket head screw	T381_5/16-18UNC_L=22; 镀蓝白锌Q16	2	C
14	380140339-0001	六角头法兰面螺栓	Hexagon bolt with flange	T320_M8_L=50; 镀蓝白锌Q16	1	C
15	380451128-0001	平垫圈	Flat washer	T440_内径10.5_外径22_厚度2.5; 氧	1	C



曲轴箱 (CRANKCASE)

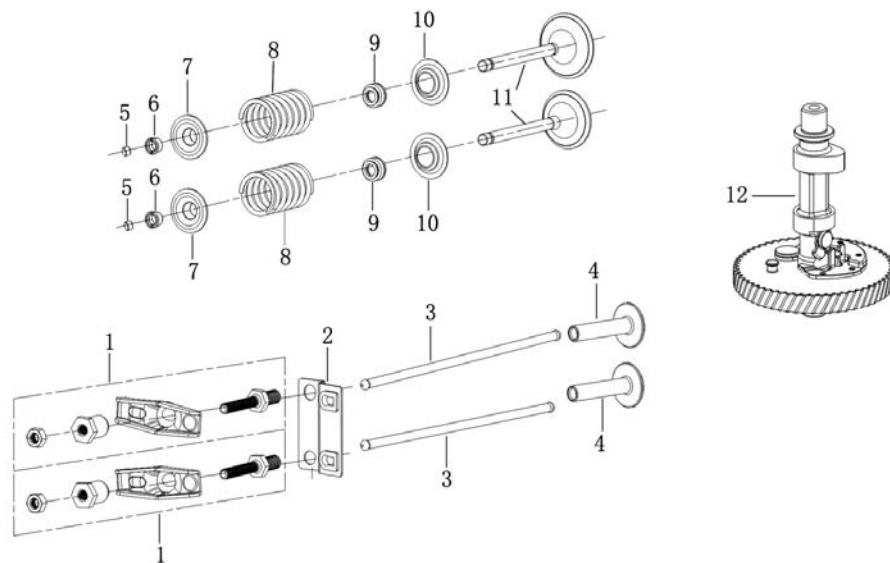
序号 No.	零部件图号 Part No.	零部件名称	Description	规格状态	数量 Reqd. QTY	易损属性 CONSUMABLE GRADE
1	380741124-0002	通气管	Breather tube	T440_异型_丙烯酸脂_废气管;满足ROHS要求	1	A
2	380950402-0001	管夹	Pipe clip	T440_通气管;	1	A
3	110830060-0001	曲轴箱盖密封垫	Crankcase cover gasket	T440;	1	A
4	171620035-0003	调速支架	Speed regulating bracket	T440;带方头平端紧定螺钉/六角法兰面螺母_不带防	1	C
5	381350004-0001	销夹	Pin clip	T040_调速臂用;	1	A
6	380650338-0001	油封	Oil seal	T320_d=6_D=11_b=4;	1	B
7	380450527-0001	平垫圈	Flat washer	T05K_T21_内径6_外径13_厚度1_65Mn;氧化Q07	1	C
8	171630010-0001	调速臂	Speed regulating arm	T320;	1	B
9	110810389-0001	曲轴箱体	Crankcase body	T440_机油尺安装孔为通孔_B款;	1	B
10	380650337-0001	油封	Oil seal	T110_d=35_D=52_b=7;含Hg/Cr6/Pb/PBB/PBDE≤100	1	B
11	380140013-0005	六角头法兰面螺栓	Hexagon bolt with flange	GB/T_5789_M6_L=16;镀蓝白锌Q16	4	C
12	110480029-0001	压线板	Pressing plate	T440;镀蓝白锌Q16	1	C
13	110840029-0001	呼吸槽盖板	CAP, BREATHER CHAMBER	T440;镀蓝白锌 Q16	1	C
14	110850020-0001	呼吸槽密封垫	PACKING, BREATHER CHAMBER	T440_无石棉软木橡胶板;	1	A
15	110860006-0001	呼吸片	Breath fin	T440;	1	A



曲轴箱盖 (CRANKCASE COVER)

序号	零部件图号	零部件名称	Description	规格状态	数量	易损属性
No.	Part No.				Reqd. QTY	CONSUMABLE GRADE
1	380140364-0001	六角头法兰面螺栓	Hexagon bolt with flange	T370_M8_L=35_S=12; 镀蓝白	9	C
2	380650337-0001	油封	Oil seal	T110_d=35_D=52_b=7; 含Hg/	1	B
3	110820120-0001	曲轴箱盖	Crankcase cover	T440;	1	C
4	380600119-0001	定位销	ocation pin	T110_d=8_L=12;	4	C
5	110260026-0001	密封螺塞	Sealing plug screw	T370_3/8-18NPTF; 氧化Q07	1	C
6	171640003-0001	调速齿轮压板	Governor gear pressing plat	T320;	1	C
7	174280004-0001	调速齿轮组件	Components of governor gear	T440;	1	B
8	380140103-0004	六角头法兰面螺栓	Hexagon bolt with flange	GB/T 5789_M6_L=25; 镀蓝白	1	C
9	110690088-0001	机油尺组合	Oil rule combination	T440_机油尺_带密封圈, 带油	1	B
10	380140077-0005	六角头法兰面螺栓	Hexagon bolt with flange	GB/T 5789_M6_L=20; 镀蓝白	1	C

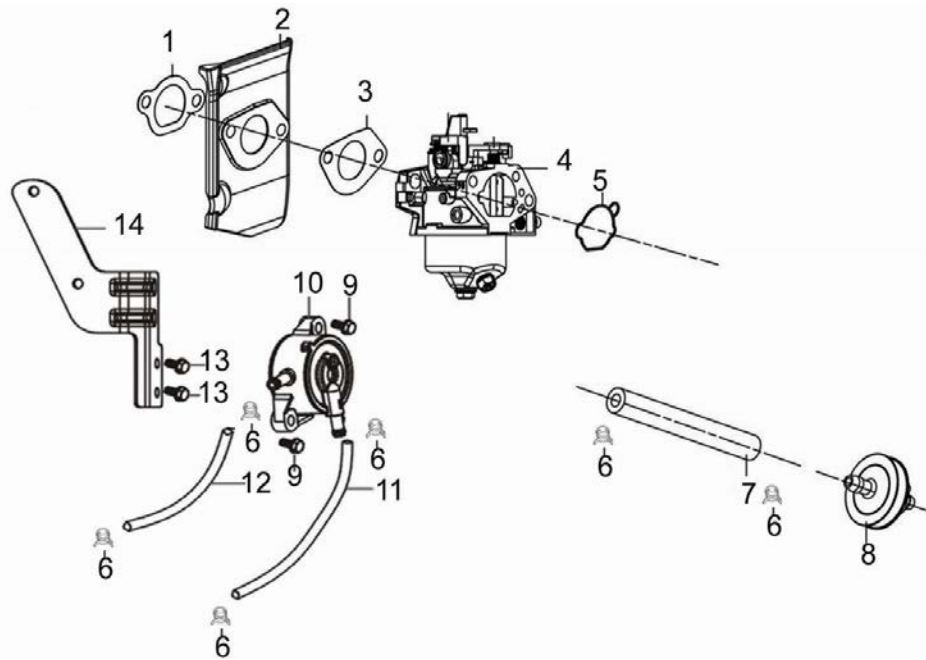




配气机构 (GAS DISTRIBUTION ADJUSTMENT)

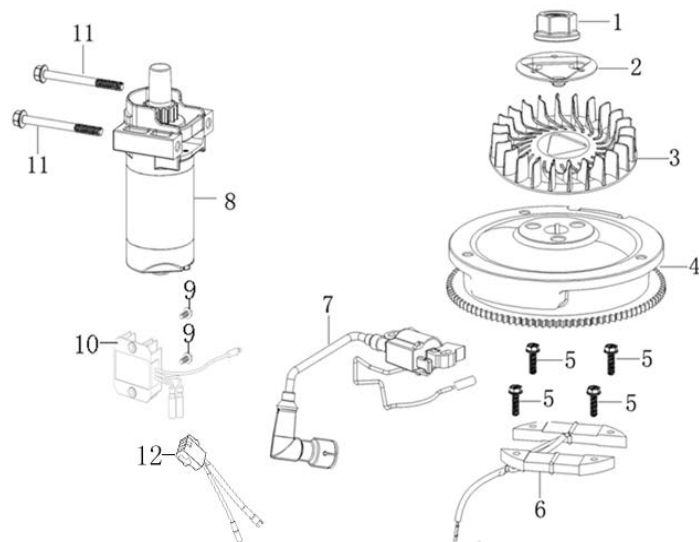
序号 No.	序号	零部件图号	Description	规格状态	数量	易损属性
	No.	Part No.			Reqd. QTY	CONSUMABLE GRADE
1	140450041-0001	气门摇臂组合	Valve rocker combinati	T381;	2	B
2	140710007-0001	推杆限位板组合	Plate, push rod guide	T370; 镀蓝白锌Q16	1	B
3	140670042-0001	挺杆组合	Push rod	T440;	2	B
4	140690004-0001	挺柱	Lifter, Valve	T110; 含Hg/Cr6/Pb/PBB/PBDF	2	B
5	140320002-0001	气门调整帽	Valve adjustment cap	T110; 含Hg/Cr6/Pb/PBB/PBDF	2	B
6	140390015-0001	气门锁夹	Valve locker	T11D; 含Hg/Cr6/Pb/PBB/PBDF	4	B
7	140380021-0001	气门弹簧座	Retainer, valve spring	T11D_锁夹状态(通机)_排气门	2	B
8	140340025-0001	气门内弹簧	Inner spring of valve	T11D_调软状态; 含Hg/Cr6/Pb	2	B
9	140400012-0001	挡油罩	Valve oil seal	T110; 含Hg/Cr6/Pb/PBB/PBDF	2	B
10	140360010-0001	气门内弹簧座圈	Seat, valve spring	T110; 含Hg/Cr6/Pb/PBB/PBDF	2	B
11	500550036-0001	气门套件	Valve Kit	T370;	1	B
12	140020185-0001	凸轮轴组合	Camshaft assy	T440_B;	1	B





化油器 (CARBURETOR)

序号 No.	序号	零部件图号	Description	规格状态	数量	易损属性
	No.	Part No.			Reqd. QTY	CONSUMABLE GRADE
1	170430165-0001	化油器密封垫	Carburetor gasket	T440 进气管密封垫;	1	A
2	170440100-0001	化油器隔热垫	Heat insulating pad for carb	T440 酚醛树脂PF;	1	B
3	170430164-0001	化油器密封垫	Carburetor gasket	T440 化油器与空气导流	2	A
4	170021922-0001	化油器	Carburetor	T441 带油泵 防篡改,金	1	B
5	170430173-0001	化油器密封垫	Carburetor gasket	T440 氟橡胶 空滤器垫;	1	A
6	380960120-0004	卡箍组合	Clip combination	T040 Φ12 钢带;达克铬	6	A
7	380750435-0001	油管	Oil tube	T370 内径6.35 外径12.	1	A
8	170010018-0001	燃油滤清器	Fuel filter	T370;	1	A
9	380140013-0005	六角头法兰面螺栓	Bolt, Flange	GB/T 5789 M6 L=16;镀	2	C
10	170460010-0001	汽油泵	Gasoline pump	T381;	1	B
11	380750792-0001	油管	Oil tube	T400 内径6.35 外径12.	1	A
12	380750818-0001	油管	Oil tube	T381 内径6.35 外径12.	1	A
13	380140077-0005	六角头法兰面螺栓	Bolt, Flange	GB/T 5789 M6 L=20;镀	2	C
14	170470012-0001	汽油泵支架	Gasoline pump bracket	T440;	1	C



飞轮 点火器 (FLYWHEEL/IGNITION COMP)

序号 No.	序号	零部件图号	Description	规格状态	数量	易损属性
	No.	Part No.			Reqd. QTY	CONSUMABLE GRADE
1	380370050-0001	六角法兰面螺母	Hexagon nut with flange	T110_M16×1.5;镀蓝白锌Q16	1	C
2	193590013-0001	起动盘	Starting disc	T370;镀蓝白锌Q16	1	C
3	160180037-0001	叶轮	Impeller	T370;	1	B
4	270020247-0001	磁电机转子部件	FLYWHEEL COMP	T440;	1	B
5	380140054-0003	六角头法兰面螺栓	Hexagon bolt with flang	GB/T 5789_M6_L=30;镀蓝白锌Q16	4	C
6	270190053-0001	充电线圈部件	Components of charging	T440_B款;	1	A
7	270920308-0001	点火线圈	COIL ASSY., IGNITION	T440_抗干扰,带金属屏蔽帽;	1	A
8	270360094-0001	起动电机部件	Components of starting	T440;	1	B
9	380140013-0005	六角头法兰面螺栓	Hexagon bolt with flang	GB/T 5789_M6_L=16;镀蓝白锌Q16	2	C
10	270880173-0001	调压整流器	RectifierVariable volta	T440;	1	A
11	380140453-0001	六角头法兰面螺栓	Hexagon bolt with flang	GB/T 5789_M8_L=80_S=12;镀蓝白锌Q16	2	C
12	271280071-0001	连接线	Connecting wire	T440_整流器输出线;	1	A







