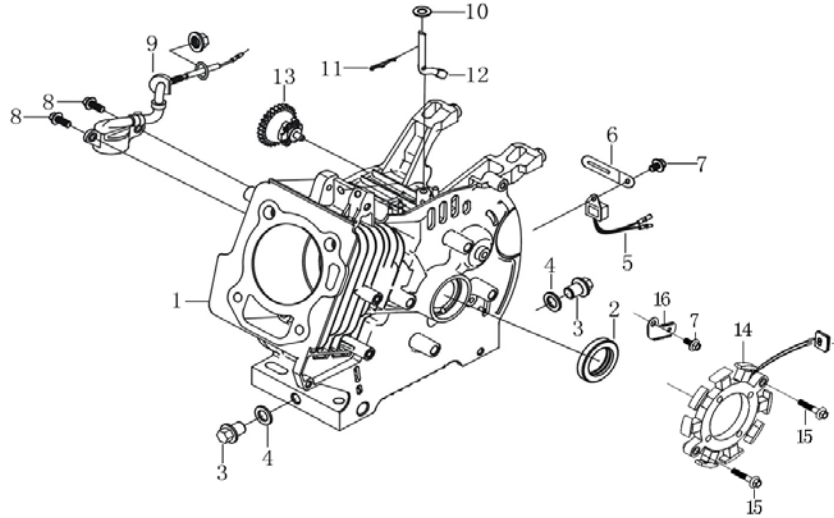


### 气缸头 (CYLINDER HEAD)

序号	零部件件号	零部件名称	Description	规格状态	数量	单位	易损属性
No.	Part No.				Reqd. QTY	UNIT	CONSUMABLE GRADE
1	380140013-0005	六角头法兰面螺栓	Hexagon bolt with flange	GB/T 5789_M6_L=16;镀蓝白锌Q16	4	件/PIECES	C
2	120230138-0001	气缸头盖组合	Cylinder head cover assy	TB00;	1	件/PIECES	C
3	380741168-0001	通气管	Breather tube	TB00_动力用_复合管_废气管;	1	件/PIECES	A
4	150290027-0001	机油滤网	Engine oil Strainer	T058;	1	件/PIECES	A
5	110850026-0001	呼吸槽密封垫	PACKING, BREATHER CHAMBER	TB00;	1	件/PIECES	A
6	110840034-0001	呼吸槽盖板	CHAP, BREATHER CHAMBER	TB00_带黄片阀,废气孔φ10;	1	件/PIECES	C
7	380140429-0001	六角头法兰面螺栓	Hexagon bolt with flange	GB/T 16674_1_M5_L=10;镀蓝白锌Q16	2	件/PIECES	C
8	120250057-0001	气缸头盖密封垫	Gasket for cylinder head cover	TB00_厚1.0_无石棉;	1	件/PIECES	A
9	270960014-0001	火花塞	Spark plug	F7RTC_无干扰;	1	件/PIECES	A
10	380140454-0002	六角头法兰面螺栓	Hexagon bolt with flange	T440_IVIT0XT.25_L=65_缸头连接螺栓;镀蓝白锌Q16	4	件/PIECES	C
11	380180098-0001	双头螺栓	Stud	T040_M8_L=34;镀蓝白锌Q16	2	件/PIECES	C
12	120080636-0001	气缸头部件	Cylinder end	TB00;	1	件/PIECES	B
13	380180093-0001	双头螺栓	Stud	T040_M6_L=113;镀蓝白锌Q16	2	件/PIECES	C
14	120150216-0001	气缸头密封垫	Gasket for cylinder head	TB00_钢架石墨复合板;	1	件/PIECES	A
15	380600116-0001	定位销	ocation pin	T110_d=12_L=20;	2	件/PIECES	C



### 曲轴箱体(CRANK CASE)

序号	零部件件号	零部件名称	Description	规格状态	数量	单位	易损属性
No.	Part No.				Reqd. QTY	UNIT	CONSUMABLE GRA
1	110810272-0001	曲轴箱体	Crankcase body	TB00_有孔;	1	件/PIECES	B
2	380650347-0001	油封	Oil seal	T320_0=25_D=41.25_b=6_内烯酸脂CII;含 Hg/Cr6/Pb/PRB/PBDE<1000ppm_Cd<100p	1	件/PIECES	B
3	110260025-0001	密封螺塞	Sealing plug screw	T040_M10x1.25x15;镀蓝白锌Q16	2	件/PIECES	C
4	380450514-0001	平垫圈	Flat washer	T040_T21_内径10_外径16_厚度1.5_铝及 铝合金	2	件/PIECES	C
5	281890001-0001	机油保护器	Engine oil protector	T040;	1	件/PIECES	A
6	380940346-0001	线夹	Cable cleat	T560;	1	件/PIECES	B
7	380140037-0003	六角头法兰面螺栓	Hexagon bolt with flange	GB/T 5789_M6_L=10;镀蓝白锌Q16	1	件/PIECES	C
8	380140209-0001	六角头法兰面螺栓	Hexagon bolt with flange	GB/T 5789_M6_L=14;镀蓝白锌Q16	2	件/PIECES	C
9	281850150-0001	油位传感器	Oil level sensor	T040_电感式;	1	件/PIECES	B
10	380450531-0001	平垫圈	Flat washer	T040_T21_内径10_外径13_厚度1;镀蓝白锌 Q16	1	件/PIECES	C
11	381350004-0001	开口销	Split pin	T040_调速臂用;	1	件/PIECES	A
12	171630025-0001	调速臂	Speed regulating arm	TB00;	1	件/PIECES	B
13	171750002-0001	调速齿轮	Governor gear	T040_飞块重3.7g;	1	件/PIECES	B
14	270210069-0001	照明线圈组合	Lighting coil combination	T041_60Hz AC12V60W;线长280	1	件/PIECES	A
15	380140103-0004	六角头法兰面螺栓	Hexagon bolt with flange	GB/T 5789_M6_L=25;镀蓝白锌Q16	2	件/PIECES	C
16	270280025-0001	线束压板	Wire tension disc for wire bundle	TB02;镀蓝白锌Q16	1	件/PIECES	C























