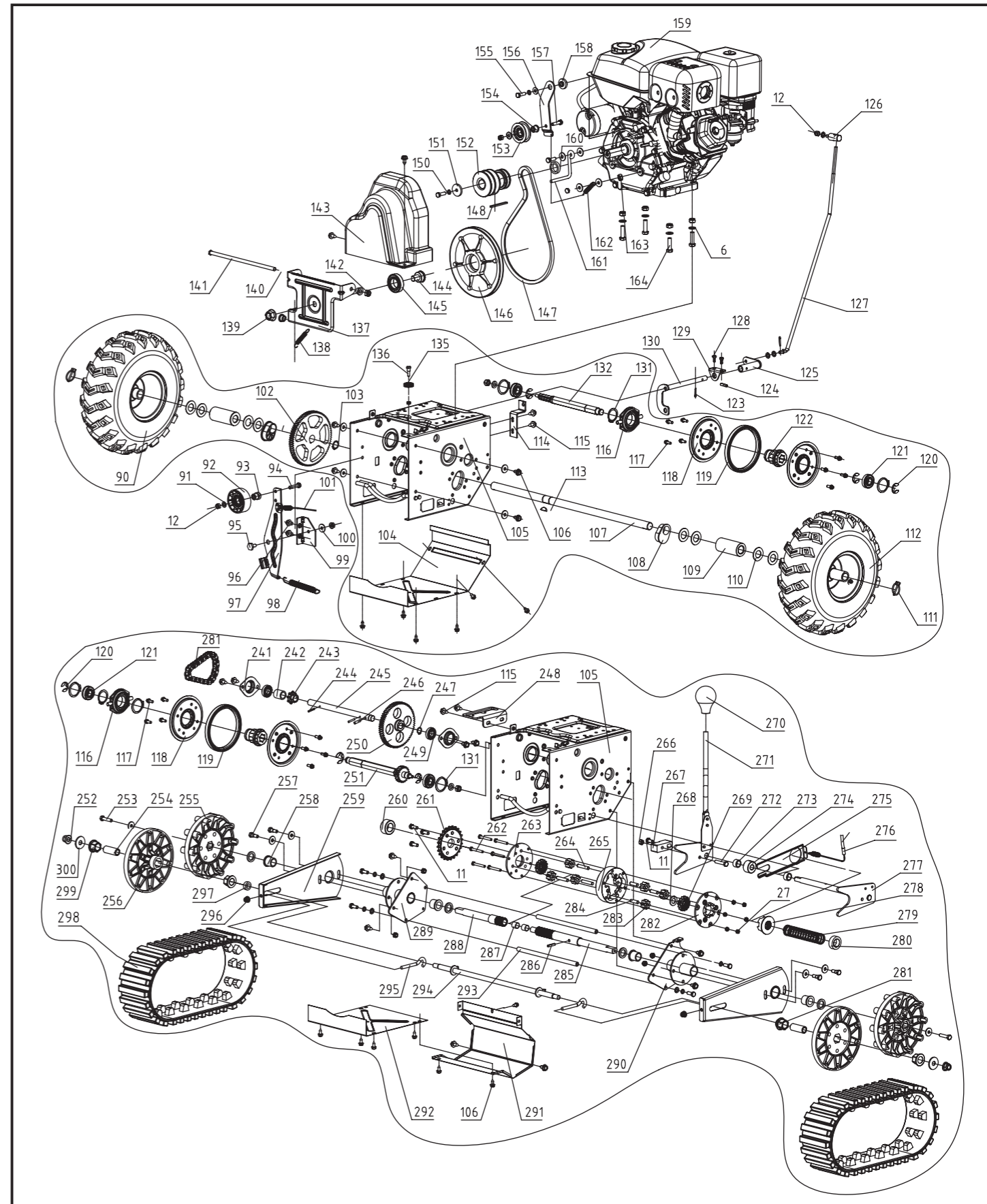
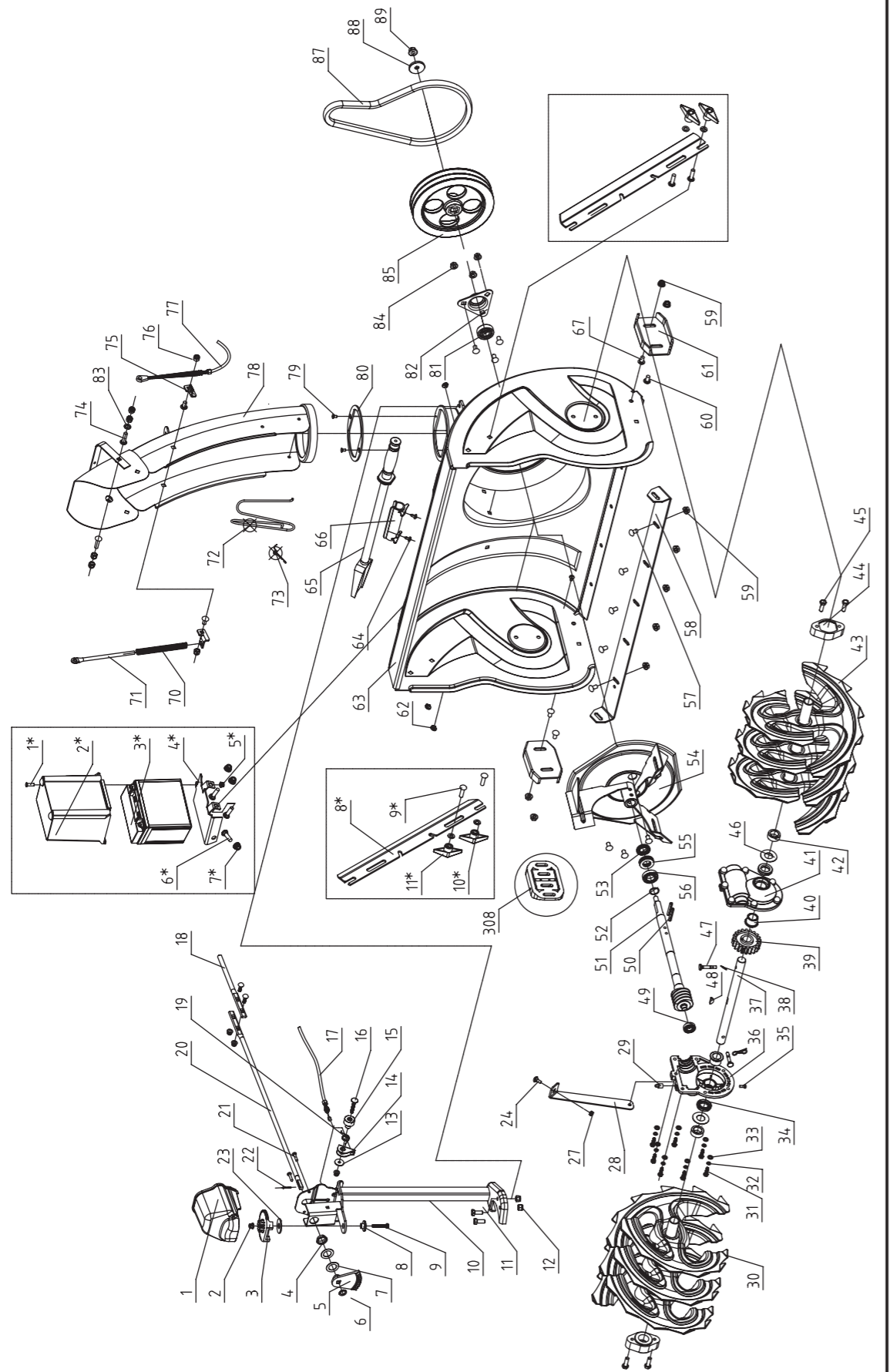
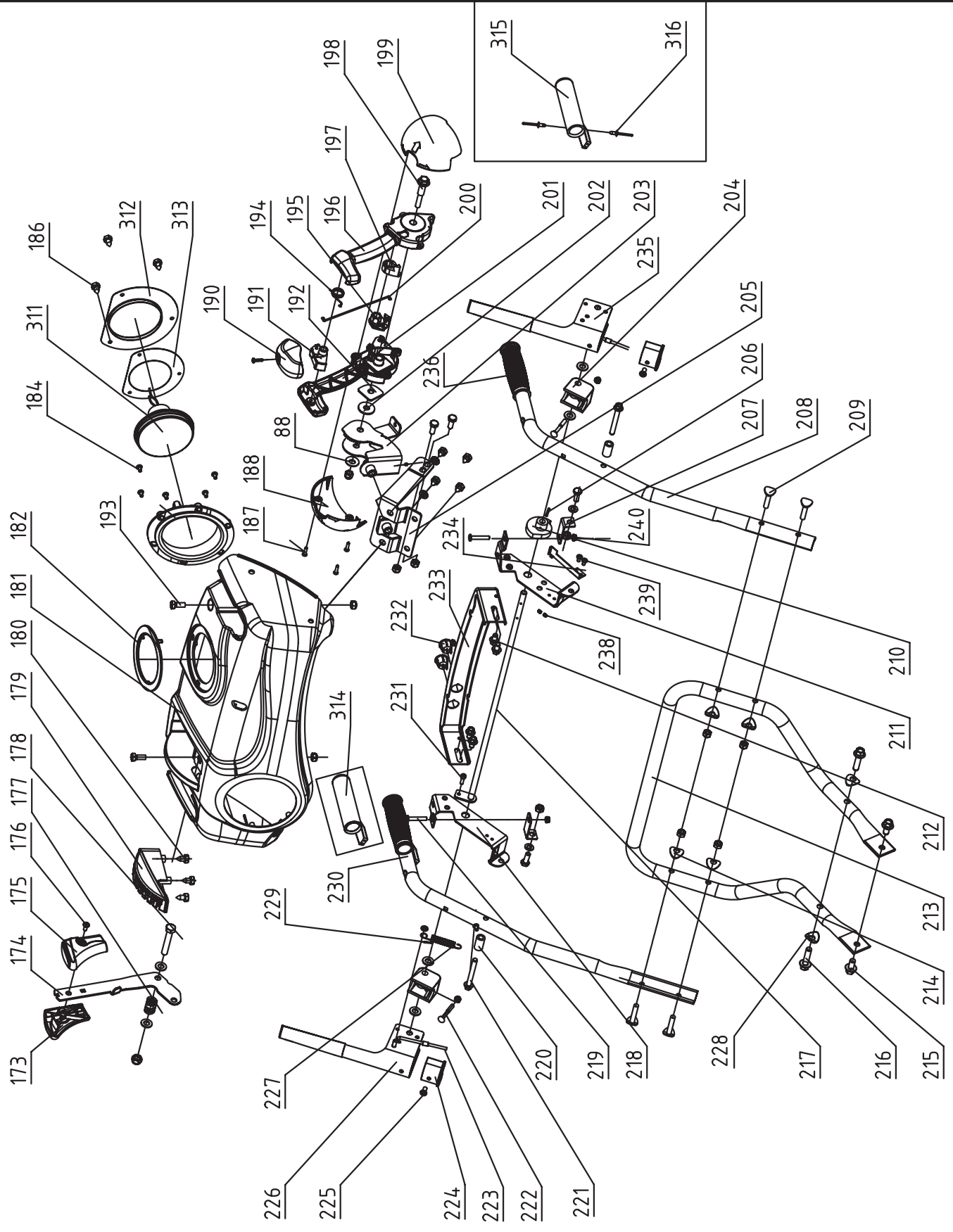


PARTS SCHEDULE





No.	Description	Q'ty
1*	Screw M6x16	1
2*	Battery Cover	1
3*	Battery	1
4*	Battery Supporter	1
5*	Lock Nut M6	1
6*	Bolt M8x16	3
7*	Lock Nut M8	3
8*	Drift Cutter	2
9*	Bolt M8x20	4
10*	Flat Washer 8	6
11*	Handle Knob Assembly	4
1	Belt Cover	1
2	Flange Lock Nut	5
3	Main Steering Gear	1
4	Rotating Shaft Bush	1
5	Minor Steering Gear	1
6	Flat Washer 10	4
7	Adjusting Washer	3
8	Rotary Bushing	1
9	FT Bolt M6x40	1
10	Support Bracket	1
11	FT Bolt M8x25	2
12	Lock Nut M8'	17
13	Big Flat Washer 6	1
14	Lock Plate	1
15	Rotary Bushing	1
16	Bolt M6x40	1
17	Direction Lock Cable	1
18	Chute Crank Connector	1
19	Spring	1
20	Chute Crank	1
21	Screw ST4.2x19	3
22	Shear Pin 2.5x12	1
23	Washer	1
24	Bolt M8x16	7
27	Lock Nut M8	1
28	Auger Support Plate	1
29	Oil Seal M10x1	1
30	Spiral Assembly RH	1
31	FT Bolt M6x20	6
32	Spring Washer 6	16
33	Flat Washer 6	17
34	Seal B20x35x7	3
35	Screw M5x12	1
36	Auger Gearcase Housing RH	1
37	Auger Shaft	1
38	Clevis Pin 1.8	4
39	Worm Wheel	1
40	Shaft Sleeve	2
41	Auger Gearcase Housing LH	1
42	Washer	2
43	Spiral Assembly LH	1
44	Bearing, Auger	2
45	Screw ST8x20	4
46	Big Washer	2
47	Shear Pin	4
48	Key 5x7.5x19	1

49	Ball Bearing 6001-2RS	1
50	Roll Pin 6x37	4
51	Impeller Shaft	1
52	Washer	1
53	Seal B20x35x7	1
54	Impeller Assembly	1
55	Thrust Bearing 51104	1
56	Ball Bearing 61904-2RS	1
57	Bolt M8x16	5
58	Shave Plate	1
59	Lock Nut M8	9
60	Bolt M8x20	7
61	Skid Shoe	2
62	Plug	9
63	Auger Housing Assy.	1
64	Screw ST5.5x13	3
65	Chute Clean-Out Tool	1
66	Clean-Out Tool Mounting Bracket	1
67	Bolt M8x25	2
70	Spring	1
71	Guid Lever	1
72	Block Pin	1
73	Torsional Spring	1
74	Bolt M8x35	1
75	Cable Support Bracket	1
76	Thick Lock Nut M8	1
77	Deflector Control Cable	1
78	Discharge Chute	1
79	Screw M5x6	2
80	Discharge Chute Washer	1
81	Ball Bearing 6203-2RS	1
82	Bearing Housing	1
83	Lock Washer	4
84	Hex. Flange Nut M8	21
85	Auger Pulley	1
86	Flange Lock Nut	1
87	Auger Belt 4LXP885	1
88	Flat Washer 10	12
89	Flange Lock Nut M10	1
90	Wheel RH	1
91	Flat Washer 8	13
92	Auger Idler	1
93	Spacer	1
94	FT Bolt M8x35	4
95	Pivot Bolt	1
96	Flange Bolt M8x20	2
97	Auger Idler Bracket	1
98	Extension Spring	1
99	Auger Idler Mounting Bracket	1
100	Flat Washer 8	8
101	Chute Adjustable Cable	1
102	Big Gear	1
103	Pin A6x35	1
104	Frame Cover 1	1
105	Frame Cover 2	1
106	Screw M8x16	12
107	Wheel Shaft	1
108	Shaft Bushing	2

109	Shaft Spacer	2
110	Wahser	3
111	Lock Pin 8	2
112	Wheel LH	1
113	Pin 6x36	2
114	Auger Cable Holder	1
115	ST Screw M8x16	4
116	Shift Arm	2
117	FT Bolt M6x10	8
118	Friction Wheel Side Plate	2
119	Rubber Ring	1
120	Snap Ring 15	3
121	Ball Bearing 6203-2RSn	2
122	Friction Wheel Hub	1
123	Clevis Pin 3	1
124	Pin 6x25	1
125	Sleeve	1
126	Spin Axis	1
127	Gear Shifting Lever	1
128	Screw M6x16	10
129	Fork Bracket	1
130	Fork Assembly	1
131	Circlip 35	1
132	Hex Shaft	1
133	Circlip 40	2
134	Cable Support Bracket	1
135	Cable Roller	1
136	Bolt	1
137	Driven Pulley Bracket	1
138	Friction Wheel Retaining Spring	1
139	Flange Lock Nut M16	1
140	Locating Knot	2
141	Locating Shaft	1
142	Lock Nut M10	2
143	Engine Belt Cover	1
144	Driven Pulley Hub	1
145	Ball Bearing 6006-2RS	1
146	Engine Pulley	1
147	Drive Belt V10x835,	1
148	Key 6X6X45	1
150	Spring Washer 8	1
151	Washer	1
152	Belt Pulley	1
153	Drive Clutch Idler	1
154	Bushing	1
155	Bolt M8x25	4
156	Drive Clutch Idler Bracket	1
157	FT Bolt	2
158	Spacer	1
159	Engine	1
160	Engine Washer	1
161	Belt Blocker	1
162	Extension Spring	1
163	Jam Nut M8	1
164	FT Bolt M10x45	4
173	Speed Shift Lever Grip RH	1
174	Speed Shift Lever	1
175	Speed Shift Lever Grip LH	1

176	Bolt M5x16	1
177	Retainer Spring	1
178	FT Bolt M10x60	1
180	Screw ST8x16	4
179 181 183	Dashboard	1
182	Plastic Ring	1
184	Screw St4.8x16	6
186	ST Bolt M8x16	3
187	Screw ST4.2x19	5
188	Joystick House RH	1
190	Joystick Head	1
191	Joystick Torsional Spring Bracket	1
192	Underlay Plate	1
193	Bolt M8x16	2
194	Torsional Spring	1
195	Drawbar Bracket	7
196	Joystick LH	1
197	Stop Claw	1
198	Bolt M10x60	1
199	Joystick House LH	1
200	Drawbar	1
201	Joystick RH	1
202	Gasket	1
203	Joystick Support Bracket	1
204	Lever Mounting Bracket	2
205	Cable Fixing Bracket	1
206	Pin 3x20	2
207	Dashboard Mounting Bracket	2
208	Operation Handlebar LH	1
209	Bolt M8x45	4
210	Interlock Cam	1
211	Lock Plate LH	1
212	Bolt Mx25	4
213	Lower Handle	1
214	Arc Washer 8	4
215	FT Bolt M10x20	2
216	FT Bolt M10x40	2
217	Interlock Rod	1
218	Lock Plate RH	1
219	Furniture Screws	2
220	Plastic Bushing	2
221	Flange Bolt M8x70	2
222	Bolt M6x40	2
223	Friction Wheel Cable	1
224	Stop Block	2
225	Screw ST6.3x16	2
226	Drive Clutch Lever	1
227	Drive Clutch Lever Retaining Spring	1
228	Arc Washer 10	6
229	Clip 1.8	4
230	Operation Handlebar RH	1
231	Flange Bolt M6x16	2
232	Switch	2
233	Operation Handles Connector	1
234	Interlock Spring	1
235	Auger Clutch Lever	1
236	Handle Grip	2
238	Thick Lock Nut M5	2

239	FT Bolt M5x12	2
240	Thick Lock Nut M6	7
308	Skid Shoe	2
311	Light	1
312	Light Holder	1
313	LED Light Shock Absorber	1
314	Heated Handle Grip	1
315	Heated Handle Grip	1
316	Rivet 4x16	4
241	Bearing Housing	2
242	Shaft Spacer	1
243	Sprocket Wheel Z9	1
244	Spring Pin	2
245	Drive Shaft	1
246	Pin	1
247	Circlip 17	2
248	Track Lock Lever Transposition Board	1
249	Ball Bearing 6003-2RS	2
250	Gear 66	1
251	Friction Wheel Shaft	1
252	Flange Lock Nut M12	2
253	FT Bolt M8x20	7
254	Guid Wheel Bush	2
255	Driving Wheel	2
256	Guid Wheel	2
257	Pivot Bolt	4
258	Copper Alloy Bush 20x26x20 (F)	2
259	Rubber Track Support Bracket	2
260	Differential Lock Stop Bush	1
261	Differential Lock Sprocket	1
262	FT Bolt M6x45	6
263	Differential Lock Cover RH	1
264	Pin	3
265	Differential Lock Housing	1
266	Thick Lock Nut M8	8
267	Track Lock Connecting Block	1
268	Washer	1
269	Sun Wheel Gear 15x2.54	2
270	Handle Knob	1
271	Track Lock Lever	1
272	FT Bolt M8x40	4
273	Collar	2
274	Lock Ring	1
275	Differential Lock Fork	1
276	Differential Lock Cable	1
277	Track Lock Lever Lever Bracket	1
278	Differential Lock	1
279	Spring	1
280	Collar	1
281	Chain	1
282	Differential Lock Cover LH	1
283	Planetary Gear 8x2.54	6
284	Pin 8x30	3
285	Drive Shaft LH	1
286	Spring Pin 6x30	1
287	Copper Alloy Bush 15x17x20 (C)	2
288	Drive Shaft RH	1

289	Drive Shaft Bracket LH	1
290	Drive Shaft Bracket RH	1
291	Frame Cover 1	1
292	Frame Cover 2	1
293	Drive Shaft Bush Connecting Shaft	2
294	Guid Wheel Shaft	1
295	Belt Tensioning Screw	2
296	Flange Nut M8	2
297	Guid Wheel Spacer	2
298	Track	2
299	Neck Bush	4
300	Big Flat Washer 12	2