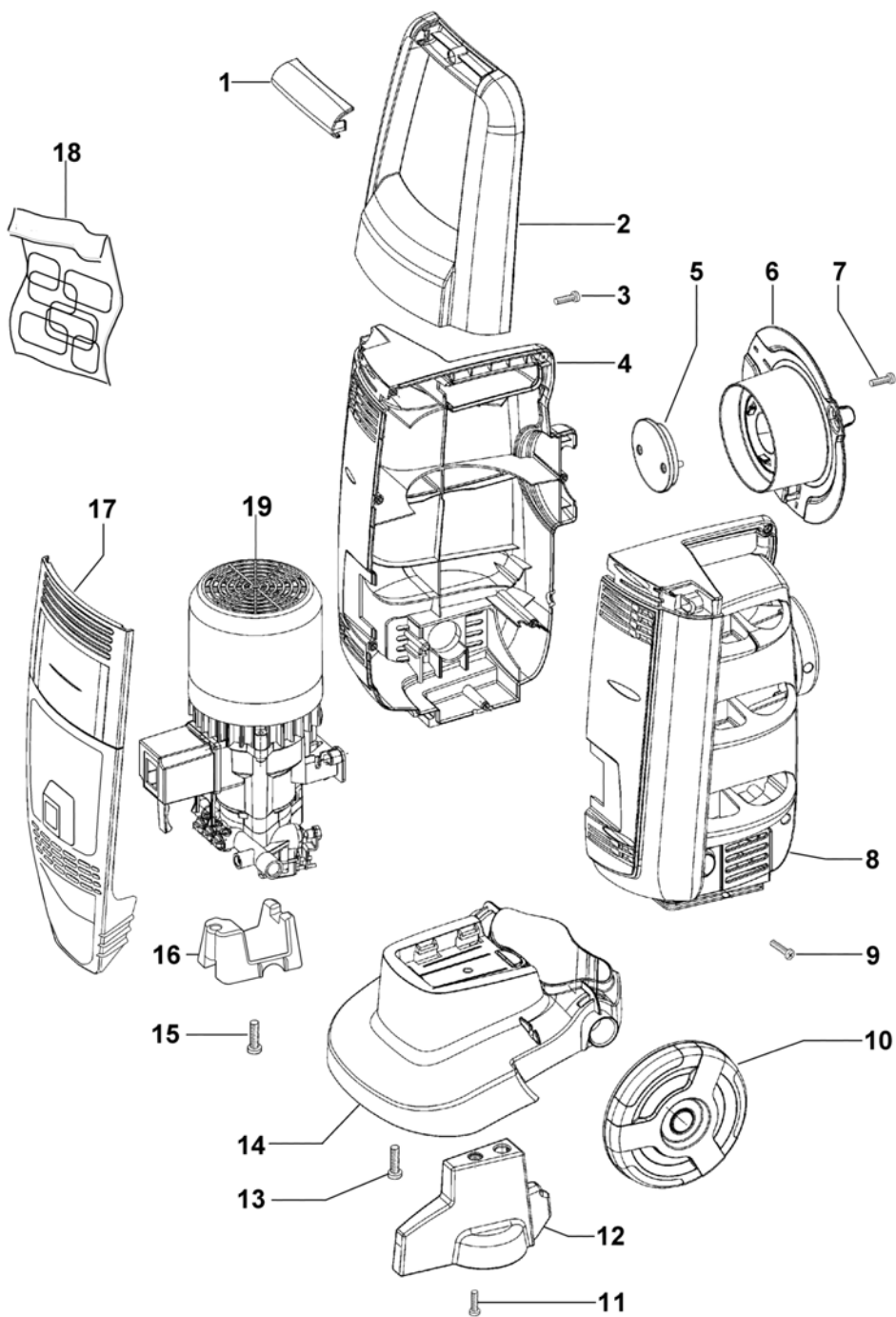


# IP 1350 S High-pressure washer pump - Deck

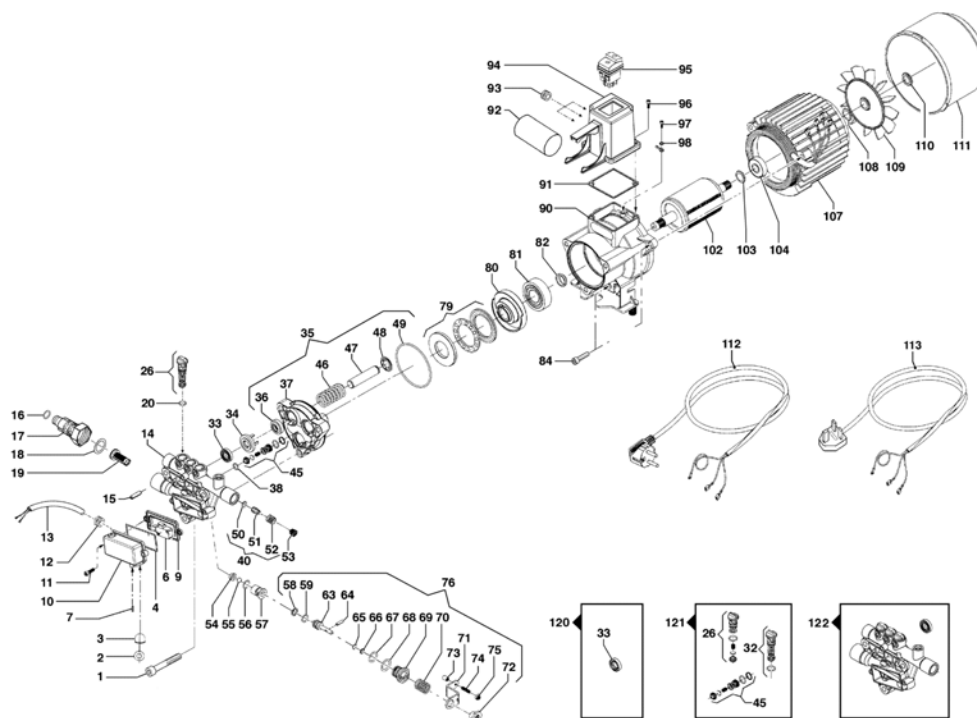


## IP 1350 S High-pressure washer pump - Deck



Ref.Nu	Qty	Part number	Description	Validity from	Validity till	Notes	Bulletin
1	1	CH04020311	Handle cover				
2	1	CH14110032	Handle				
3	2	CH36050114	Screw				
4	1	CH04770217	Cover left				
5	1	CH06020064	Hose reel kit				
6	1	CH06020060	Hose reel				
7	2	CH36050114	Screw				
8	1	CH04770218	Cover right				
9	7	CH36050114	Screw				
10	2	CH28100073	Wheel				
11	1	CH36050114	Screw				
12	1	CH30020608	Stand				
13	2	CH36050114	Screw				
14	1	CH32060291	Frame				
15	1	CH36250071	Screw				
16	1	CH24000106	Support				
17	1	CH04770225	Cover				
18	1	CH3222512700	Labels set				
19	1	CH73040330	Motorpump				

# IP 1350 S High-pressure washer pump - Motor



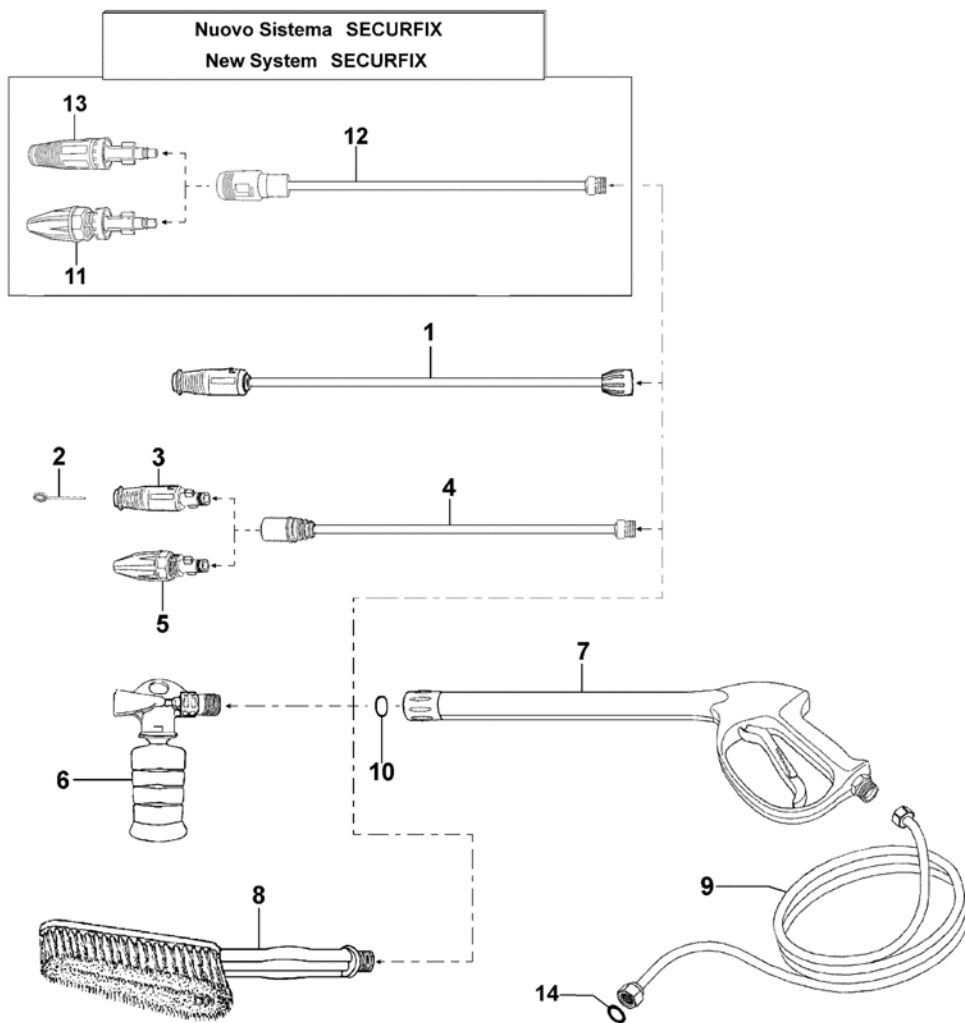
## IP 1350 S High-pressure washer pump - Motor



Ref.Nu	Qty	Part number	Description	Validity from	Validity till	Notes	Bulletin
1	3	CH36090039	Screw				
2	1	CH00090229	Ring				
3	1	CH24160112	Guard				
4	1	CH12100550	O-ring				
6	1	CH18250013	Switch				
7	1	CH30050023	Pin				
9	1	CH04020290	Half case				
10	1	CH04020276	Cover				
11	2	CH36090198	Screw				
12	1	CH24340048	Holder				
13	1	CH04560322	Cable				
14	1	CH32180368	Top cover				
15	3	CH30210032	Pin				
16	1	CH12100057	O-ring				
17	1	CH28030524	Fitting				
18	1	CH12090111	Gasket				
19	1	CH10020132	Air filter				
20	3	CH12100465	O-ring				
26	3	CH12200069	Valve				
32		-	Not available for this product				
33	3	CH12410094	Gasket				
34	3	CH00090318	Ring				
35	1	CH24320026	Pump crankcase				
36	3	CH00190124	Seal ring				
37	1	CH24320025	Pump crankcase				
38	3	CH12100465	O-ring				
40	1	CH50270025	Reed valve kit				
45	3	CH12200068	Valve				
46	3	CH18020213	Spring				
47	3	CH24090127	Piston				
48	3	CH00090317	Ring				
49	1	CH12100391	O-ring				
50	1	CH12100220	O-ring				
51	1	CH36000087	Valve				
52	1	CH18020177	Spring				
53	1	CH32020280	Cap				
54	1	CH30090141	Seat				
55	1	CH30030035	Ball				
56	1	CH12100152	O-ring				
57	1	CH30090158	Seat				
58	1	CH00090112	Ring				
59	1	CH12100041	O-ring				
63	1	CH00150194	Easy start kit				

Ref.Nu	Qty	Part number	Description	Validity from	Validity till	Notes	Bulletin
64	1	CH30210035	Pin				
65	1	CH12100055	O-ring				
66	1	CH00090110	Ring				
67	1	CH12100049	O-ring				
68	1	CH12100390	O-ring				
69	1	CH36050115	Screw				
70	1	CH18020249	Spring				
71	1	CH16000093	Lever				
72	1	CH32020241	Screw				
73	1	CH04320044	Cap				
74	1	CH36220039	Screw				
75	1	CH06040087	Nut				
76	1	CH12150363	Valve				
79	1	CH04360020	Bearing				
80	1	CH00010538	Shaft				
81	1	CH04380091	Bearing				
82	1	CH00190118	Seal ring				
84	3	CH36090114	Screw				
90	1	CH10090201	Flange				
91	1	CH12010175	Gasket				
92	1	CH04340045	Condenser				
93	3	CH24340048	Holder				
94	1	CH30010530	Electrical box				
95	1	CH14100110	Switch				
96	2	CH36250046	Screw				
97	1	CH36250072	Screw				
98	1	CH28070013	Washer				
102	1	CH00010590	Rotor shaft				
103	2	CH12100420	O-ring				
104	1	CH04380090	Bearing				
107	1	CH30410257	Stator kit				
108	1	CH12410070	Ring				
109	1	CH36320083	Motor fan kit				
110	1	CH00090296	Ring				
111	1	CH04660029	Motor fan cover				
112	1	CH04560318	Cable				
113	1	CH04560321	Cable uk				
120	1	CH50190666	Gasket set				
121	1	CH50250026	Valve				
122	1	CH33000092	Top cover				

# IP 1350 S High-pressure washer pump - Accessories



## IP 1350 S High-pressure washer pump - Accessories



Ref.Nu	Qty	Part number	Description	Validity from	Validity till	Notes	Bulletin
1		-	Not available for this product				
2	1	CH04550013	Needle				
3	1	CH32170205	Head				BT6-060-06/08
4	1	CH33011042	Lance hose kit				BT6-060-06/08
5	1	CH32170202	Nozzle				BT6-060-06/08
6	1	CH33010748	Lance				
7	1	CH24100086	Spray gun kit				
8	1	68500003	Fixed brush				
9	1	CH33010807	Hose				
10	1	CH12100084	O-ring				
11	1	CH32170202	Nozzle				BT6-060-06/08
12	1	CH33011042	Lance hose kit				BT6-060-06/08
13	1	CH32170205	Head				BT6-060-06/08
14	1	CH12100084	O-ring				