



**IPC Integrated Professional Cleaning**

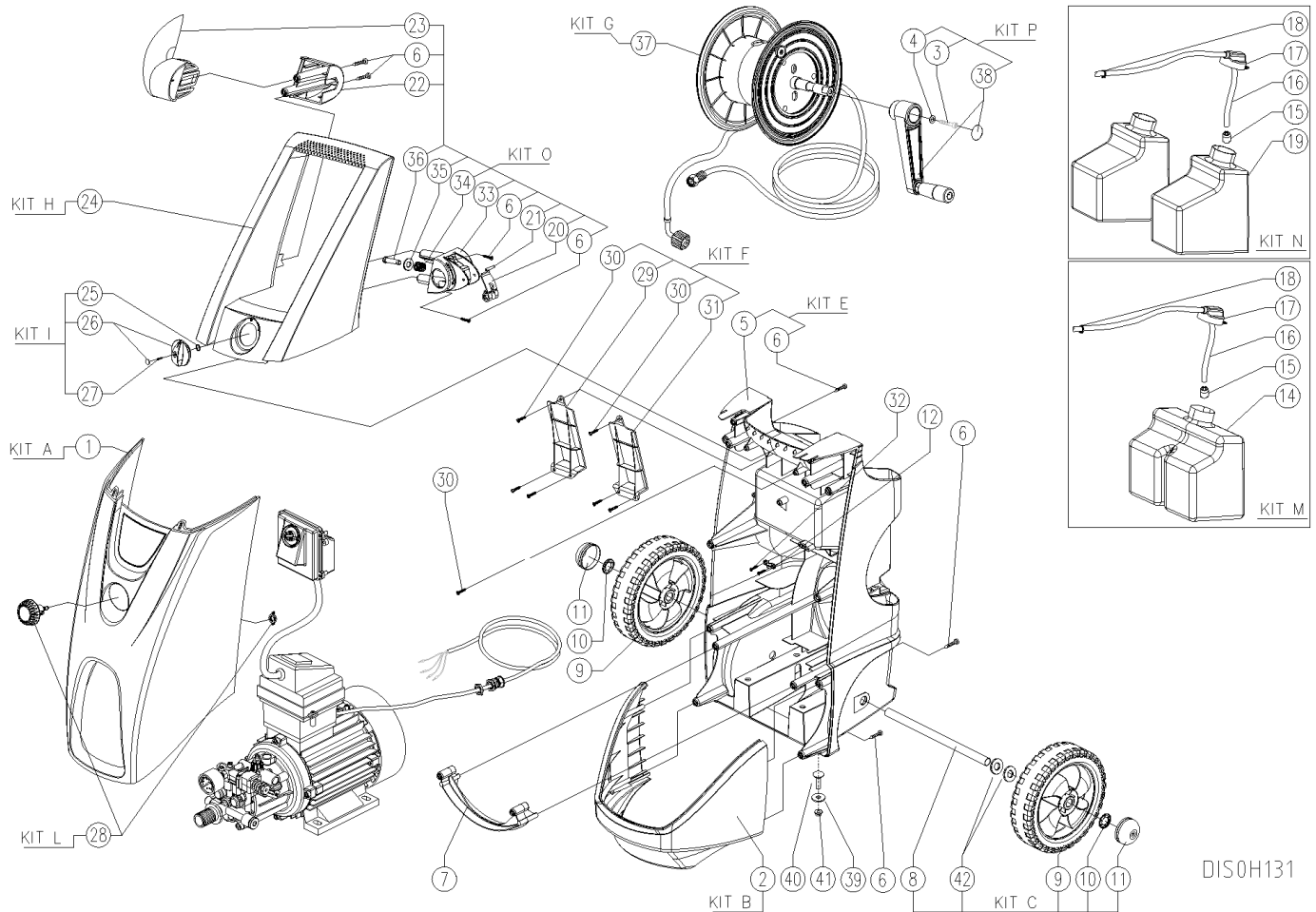
**IPC**Portotecnica

## **Spare Parts List**

**PORTOTECNICA**

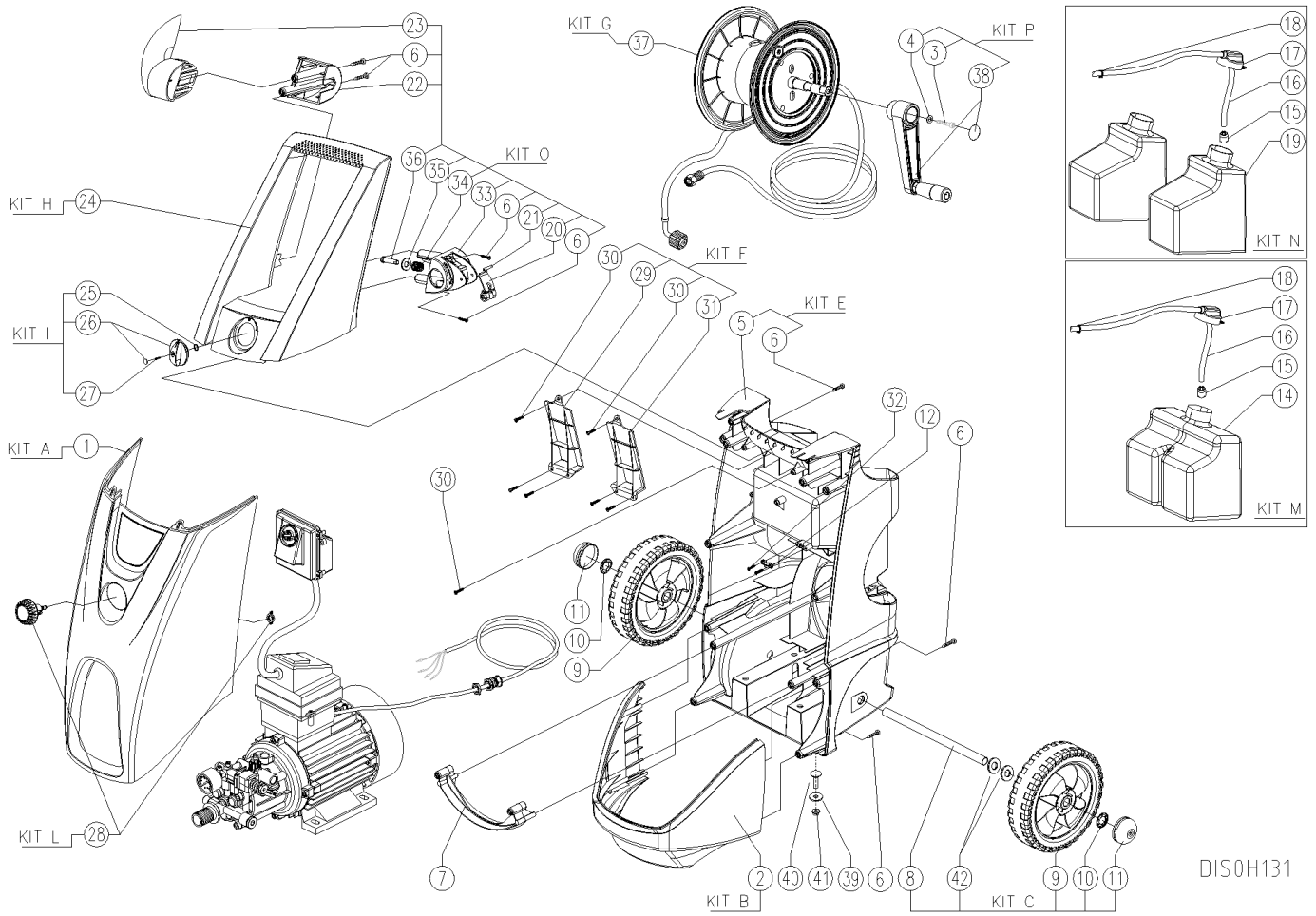
**Ref: IDAF92075**

**Model: IDROP G190X POWER 2T DS T400/50 3-01PRT**

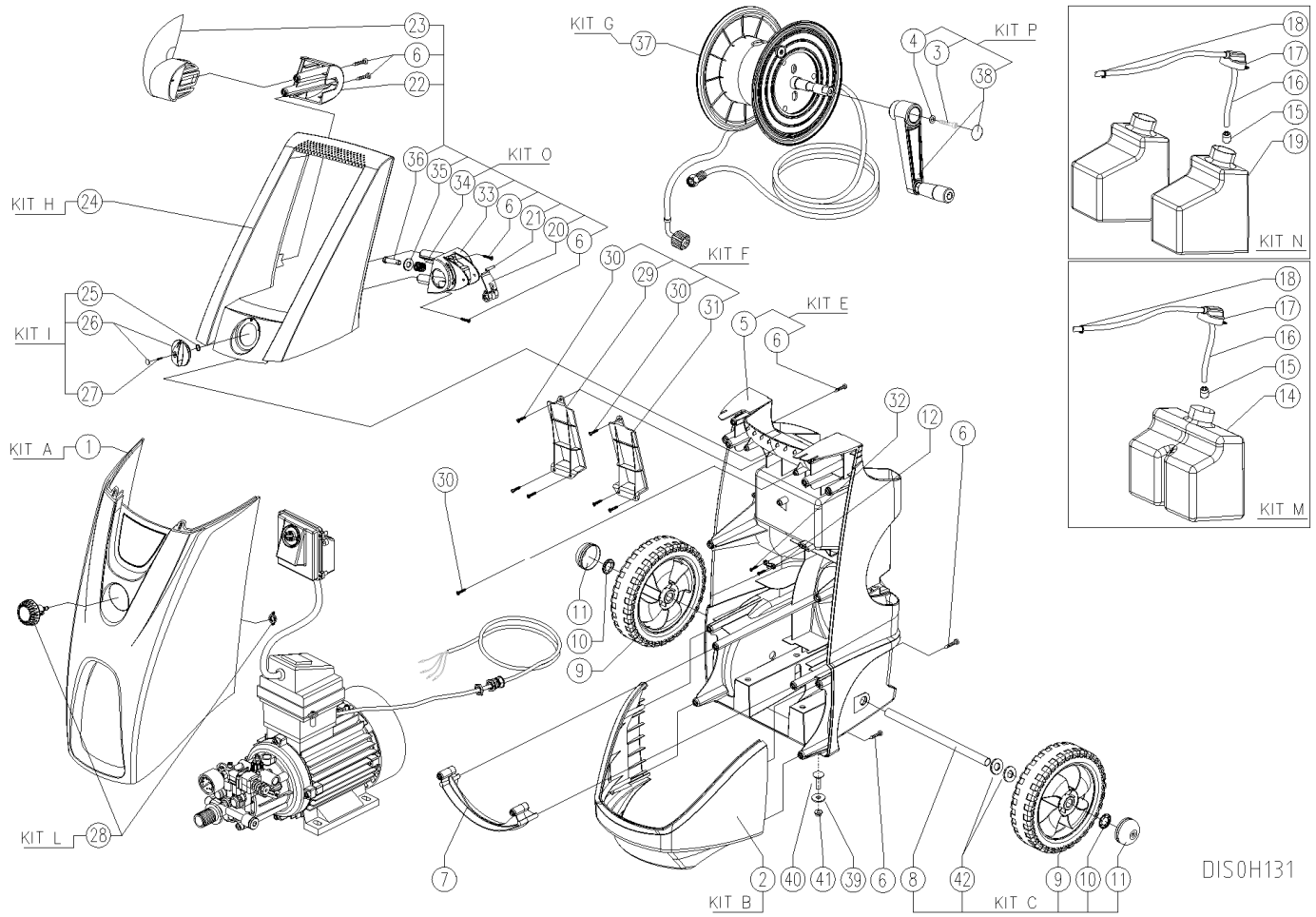


DIS0H131

Ref.	K	Part N.	Customer Part N.	Description	Qty	Validity:		Price
						From	To	
0001	E	MPVR92126		RED COVER "SERIE G" IPC	1,00			--
0002	E	MPVR92120		BAND ANT. "SERIE G"	1,00			--
0003	E	VTVT01573		SCREW TCEI 8X25 UNI5931	1,00	03/2006		--
0004	E	VTRS63232		WASHER D. 8 X17	1,00	02/2005		--
0005	E	MPVR93779		FRAME "SERIE G" M90	1,00			--
0006	E	VTVT80745		SCREW TCB-TC 5 X25	3,00			--
0007	E	MPVR93785		ADAPTER TELAIO/COFANO G200X	1,00			--
0008	E	LAFN93781		WHEELS AXLE H 121	1,00			--
0009	E	RTRT93782		WHEEL D.200-15X57 "SW RT"	2,00			--
0010	E	VTRS60945		WASHER D.15	2,00			--
0011	E	MPVR93783		HUB CAP NERO X RUOTA D.200 "SW	2,00			--
0012	E	MPVR60495		CLAMP HOBBY	1,00			--
0015	E	MPVR60422		SUCTION FILTER DETERG.HOBBY 90	2,00			--
0016	E	TBBP93800		L.P. HOSE D. 6- 9	1,25	03/2006		--
0017	E	MPVR91923		TANK CAP "G160"	2,00			--
0018	E	FSVR72803		CLAMP D 9.3 - 9.9	3,00			--
0019	E	MPVR92131		DETERGENT TANK "SERIE G" LT 1,5	2,00			--
0020	E	MPVR92108		ECCENTRIC CAM AVTB "G"	1,00			--
0021	E	VTVR92465		PLUG D. 4X20 UNI 1707 INX	1,00			--
0022	E	MPVR92112		HOSE WIND.SUPP."SERIE G" DX	1,00			--
0023	E	MPVR92116		HOOK "SERIE G" DX	1,00	03/2006		--
0024	E	MPVR92477		HANDLE "SERIE G"	1,00	05/2006		--
0025	E	GUGO01060		O-RING D. 9.92 X 2.62 NBR 70SH	1,00	05/2006		--
0026	E	MPVR93837		SWITCH KNOB SERIE "G"	1,00	05/2006		--
0027	E	VTVT92473		SCREW TCB-TC 2,5X12 ZINC	1,00	05/2006		--
0028	E	RCGR93688		TAP "G" TAMP. 1T	1,00	07/2005		--
0029	E	MPVR93244		PLATE TELAIO "SERIE G" DX	1,00	03/2005		--
0030	E	VTVT67350		SCREW TCB TC 5X20 Z.N. UNI9707	4,00	03/2005		--
0031	E	MPVR93245		PLATE TELAIO "SERIE G" SX	1,00	03/2005		--
0032	E	VTVT62978		SCREW TCB TC 4,8X16 ZC	2,00			--
0033	E	MPVR92118		HOSE WIND.SUPP."SERIE G" SX	1,00			--
0034	E	MLML92466		SPRING SPINTA CAMMA BLOC. "G"	1,00			--
0035	E	LAFN40163		SPACER B.PASS 12	1,00	02/2005		--
0036	E	RCDS92467		PIN AVVOLGITUBO H120	1,00			--
0037	E	AVTB91873		HOSE REEL ASS. "G160"	1,00		08/2006	--
0037	E	AVTB93802		HOSE REEL "G190 ITG" A.P. +GM 12	1,00	08/2006		--
0038	E	MPVR92147		HANDLE AVV/TUB"SERIE F"138-60 M8	1,00	03/2006		--
0039	E	VTRS00512		WASHER D. 8 X24 ZC.	4,00	02/2006		--
0040	E	VTVT93558		SCREW M 8X 30 TTQST ZINC. 5732	4,00			--

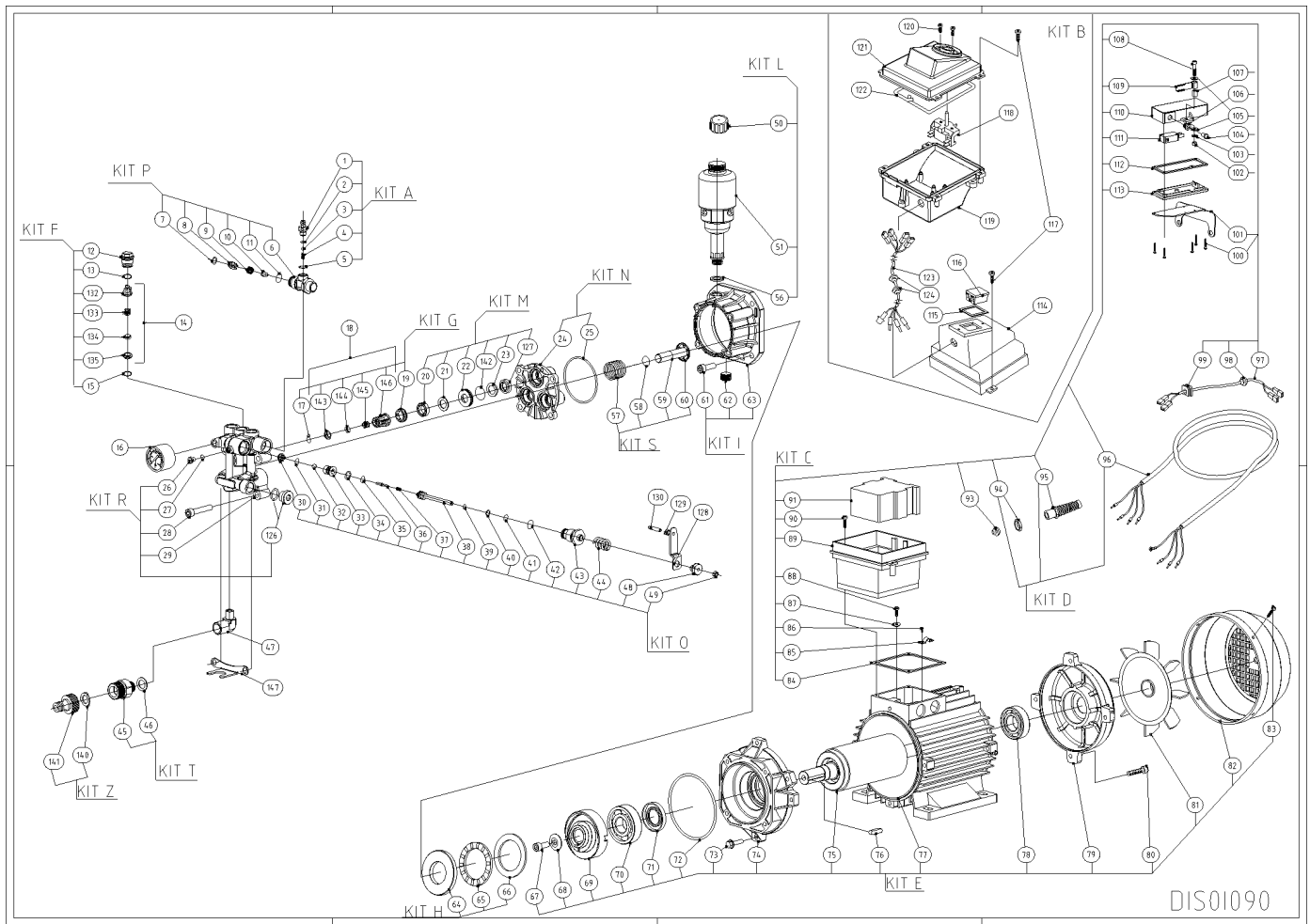


Ref.	K	Part N.	Customer Part N.	Description	Qty	Validity:		Price
						From	To	
0041	E	VTDD63177		NUT M 8 FLANGIATO	4,00			--
0042	E	VTRS63213		WASHER 23X15X1,5 ZIN. AX 120	4,00	05/2006		--

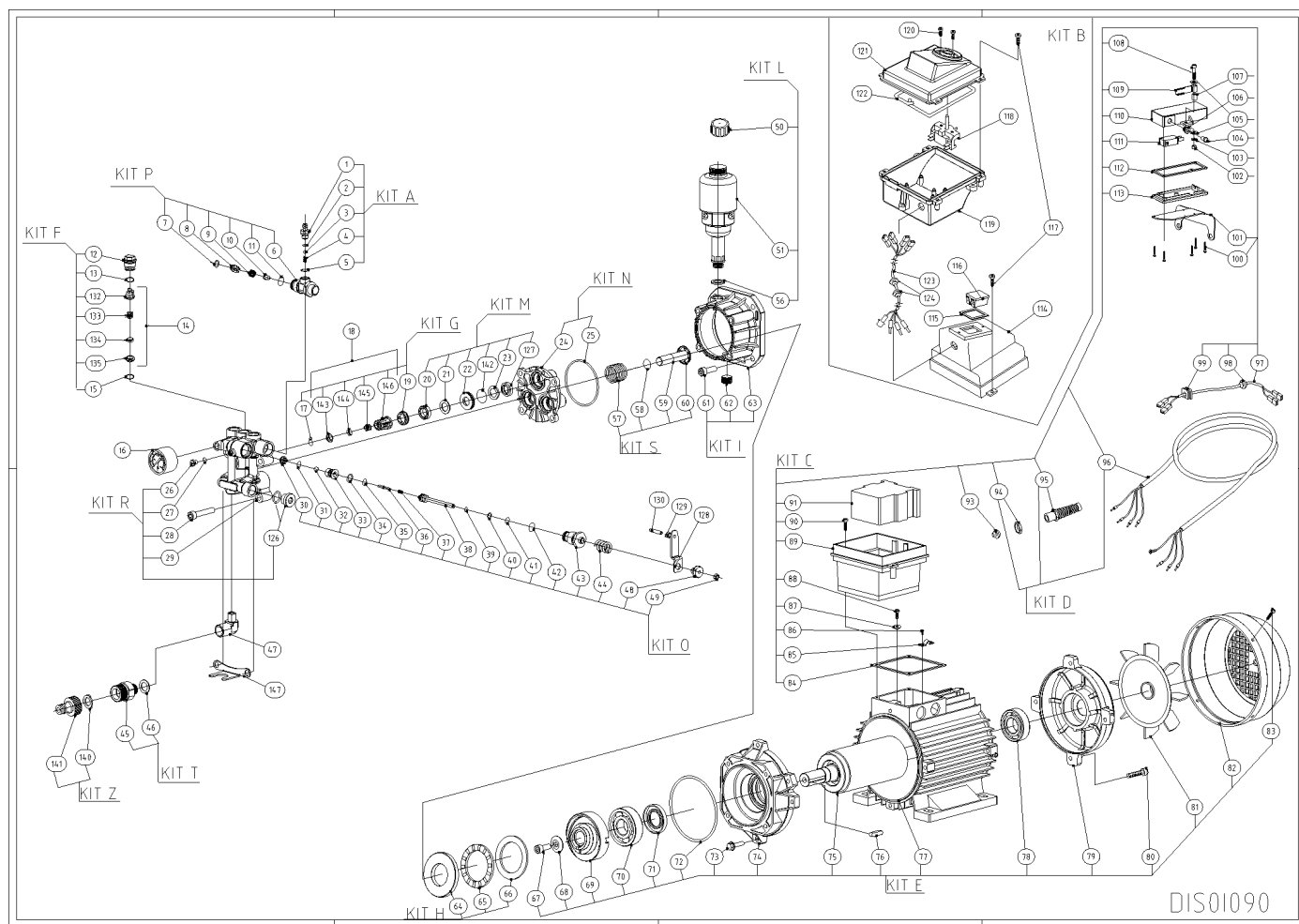


DIS0H131

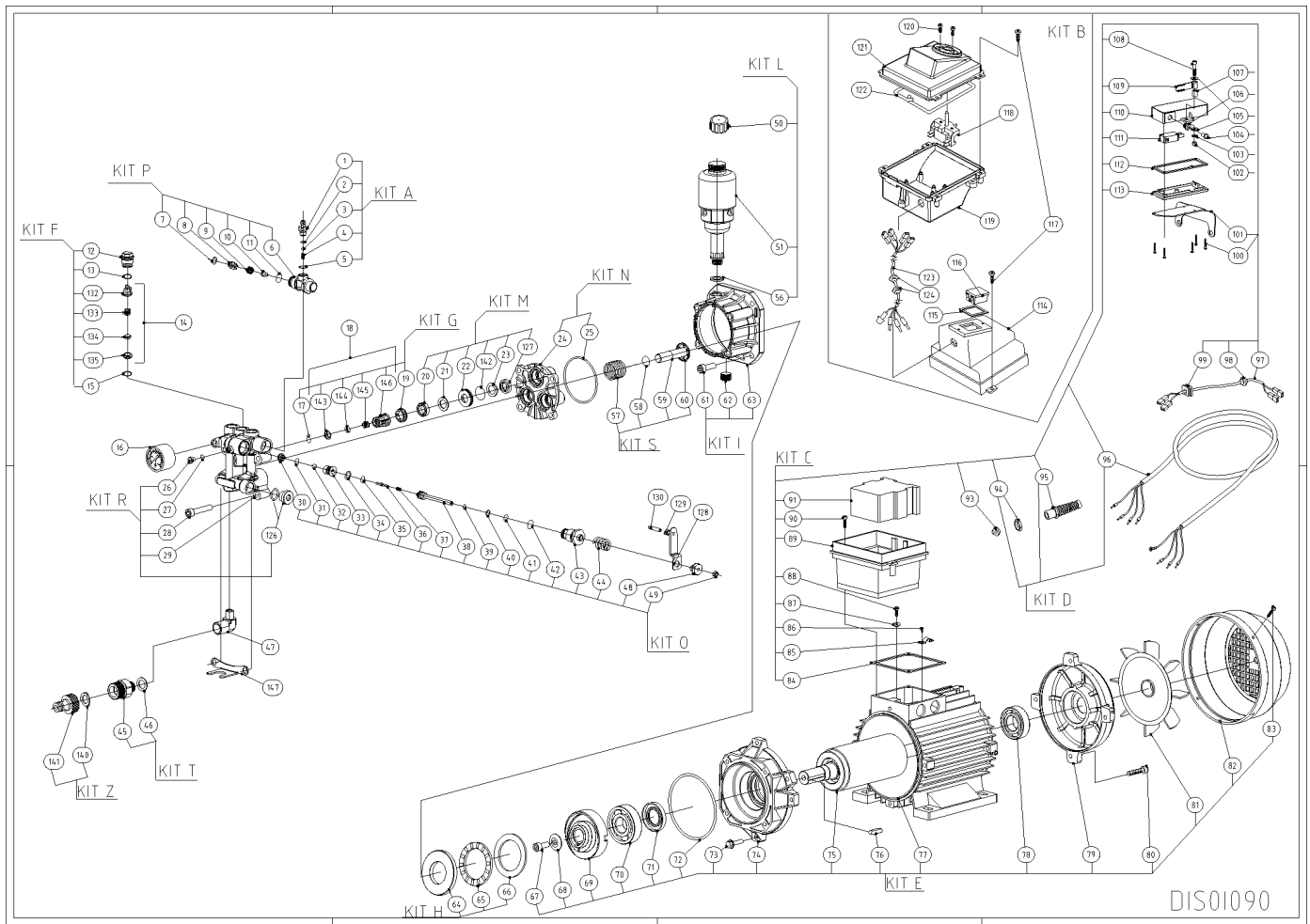
Ref. Part N.	Cust. Part N.	Description	Reference	Price
K 6	KTRI92987	SCREW KIT F 30-006 (50 PZ)	0006	--
K 7	KTRI93920	ADAPTER KIT F24-091 TEL.G190(5PZ)	0007	--
K A	KTRI93635	RED COVER KIT F24-074 "G" (3 PZ)	0001	--
K B	KTRI93502	BAND KIT F24-056 ANT. "G" (5P)	0002 0006	--
K C	KTRI93921	WHEEL KIT F1-005 G 190 (2P)	0008 0009 0010 0011 0042	--
K E	KTRI93922	FRAME KIT F24-092 SERIE G190(1)	0005 0006	--
K F	KTRI93506	PLATE KIT F24-059 "G"DX/SX (10P	0029 0030 0031	--
K G	KTRI93526	HOSE REEL KIT F35-002 "G160"+GM 12M	0037	--
K G	KTRI94056	HOSE REEL K F 35-007 G190 ITG+GM 12	0037	--
K H	KTRI93623	HANDLE KIT F 24-071 "SERIE G" 3P	0024	--
K I	KTRI93923	GREY KNOB KIT F04-002 INT.G190(20P)	0025 0026 0027	--
K L	KTRI93524	TAP KIT F6-006 "G" 2T (10PZ)	0028	--
K N	KTRI93525	DETERGENT TANK KIT F6-007 "G" 1,5LT(2PZ)	0015 0016 0017 0018 0019	--
K O	KTRI93522	HOOK KIT F24-063 "PRO150X"(1PZ)	0006 0020 0021 0022 0023 0033 0034 0035 0036	--
K P	KTRI93527	HANDLE KIT F24-065 AVTB "G"(1PZ)	0003 0004 0038	--
K 12	KTRI84071	CLAMP KIT 876 (20 PZ)	0012	--
K 30	KTRI93514	SCREW KIT F 30-013 (50 PZ)	0030	--
K 32	KTRI84030	SCREW KIT 835 (50 PZ)	0032	--
K 39	KTRI93551	SCREW KIT F 30-014 (50 PZ)	0039	--
K 40	KTRI93924	SCREW KIT F30-017M8X30 TTQST(50	0040	--
K 41	KTRI93925	NUT KIT F 30-018 DADO M8(50P)	0041	--



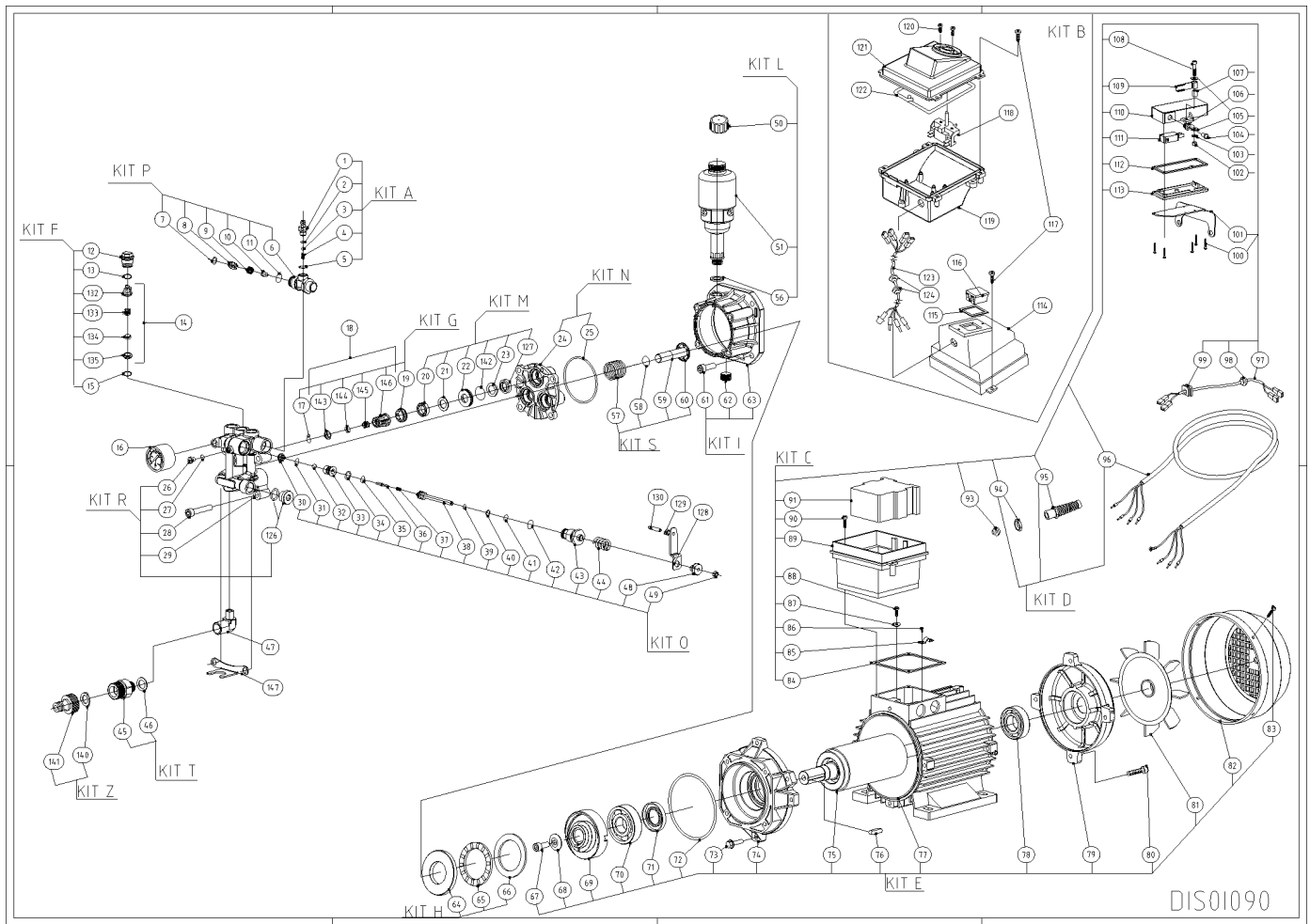
Ref.	K	Part N.	Customer Part N.	Description	Qty	Validity: From To	Price
0001	E	RCDS81553		CONNECTOR OT ASP.DETERG. - H110	1,00	--	--
0002	E	GUGO01062		O-RING D. 3.69 X 1.78 NBR 70SH	1,00	--	--
0003	E	SFVR40173		BALL D. 3/16" AISI 420	1,00	--	--
0004	E	MLML40172		SPRING D. 3.5 h=12	1,00	--	--
0005	E	GUGO06988		O-RING D. 7.66 X 1.78 NBR 70SH	1,00	--	--
0006	E	MFVR93851		CONNECTOR MAND. MTPO3000 A/D M3/8	1,00	--	--
0007	E	GUGO93633		O-RING D. 5 X 2 NBR 90SH	1,00	--	--
0008	E	VVSF40182		VALVE H90 PLS	1,00	--	--
0009	E	MLML59254		SPRING D. 9.2 X10X0.8 AISI 302	1,00	--	--
0010	E	UGEI59744		NOZZLE INIETT.D.1,90-HOBBY 90	1,00	--	--
0011	E	GUGO90299		O-RING D. 13 X 2 NBR 90SH	1,00	--	--
0012	E	PVVR41666		CAP M 18X1.33 AX 100	3,00	--	--
0013	E	GUGO40192		O-RING D. 12 X 2 NBR 90SH	3,00	--	--
0014	E	VVAM64104		SMALL VALVE A/M AX120 IN/IN	3,00	--	--
0015	E	GUGO41446		O-RING D. 12 X 2 NBR 70SH	3,00	--	--
0016	E	MNMN18650		PRESSURE GAUGE 0-300 D.40	1,00	--	--
0017	E	GUGO41446		O-RING D. 12 X 2 NBR 70SH	3,00	--	--
0018	E	VVAM90735		SMALL VALVE A/M MTPO3200 IN/IN	3,00	--	--
0019	E	RCDS93803		RING NUT FISS. GABB. G190XPW 14	3,00	--	--
0020	E	GUVR63518		PACKING A/P 14X22 U14	3,00	--	--
0021	E	PVVR93814		HEAD RING 14X22X1.50 PS062	3,00	--	--
0022	E	PVVR93810		BUSHING OT D.28X14 "G200" S2	3,00	--	--
0023	E	PVVR93811		SPACER BOCCOLA G200 22X14H2,75	3,00	--	--
0024	E	MFVR93874		CRANKCASE 3200/2,5 14 M8 G190XPW	1,00	--	--
0025	E	GUGO92730		O-RING D. 75.87 X 2.62 NBR 90SH	1,00	--	--
0026	E	RCDS83749		SCREW CHIUSURA BY PASS M6	1,00	--	--
0027	E	GUGO01062		O-RING D. 3.69 X 1.78 NBR 70SH	1,00	--	--
0028	E	VTVT28306		SCREW TCEI 8X45 UNI5931	4,00	--	--
0029	E	MFVR93863		HEAD OT G190XPW ITG M8 D.14	1,00	--	--
0030	E	PVVR59170		CAP ES/4 OT	1,00	--	--
0031	E	GUGO01436		O-RING D. 9.25 X 1.78 NBR 90SH	1,00	--	--
0032	E	SFVR53318		BALL D. 7 AISI 420	1,00	--	--
0033	E	PVVR83187		VALVE SEAT ES/5 INOX S2	1,00	--	--
0034	E	GUVR63570		ANTI-EXTR.RING D. 9 X12 X1.5 OR108	1,00	--	--
0035	E	GUGO83481		O-RING D. 8.73 X 1.78 NBR 90SH	1,00	--	--
0036	E	PVVR40165		CONTROL PISTON E.START	1,00	--	--
0037	E	MLML59253		SPRING EASY START S/5	1,00	--	--
0038	E	PVVR90159		SMALL PISTON E.START M6	1,00	--	--
0039	E	GUGO83861		O-RING D. 6.07 X 1.78 NBR 90SH	1,00	--	--



Ref.	K	Part N.	Customer Part N.	Description	Qty	Validity: From To	Price
0040	E	GUVR40170		ANTI-EXTR.RING D. 6 X 9	1,00		--
0041	E	GUGO21841		O-RING D. 12.42 X 1.78 NBR 90SH	1,00		--
0042	E	GUGO91155		O-RING D. 15.54 X 2.62 NBR 90SH	1,00		--
0043	E	PVVR90158		VALVE BODY BY-PASS OT 3000/2.5	1,00		--
0044	E	MLML90298		SPRING 18,5 X 32 X 4 200 BAR	1,00		--
0045	E	MPVR60577		INTAKE CONNECT.H90 D/I PL SUPERES	1,00		--
0046	E	VTRS63218		WASHER ALL.18X22X1,5	1,00		--
0047	E	RCVR93801		ELBOW 3/8"-1/4" M B.P. OT.MTM	2,00		--
0048	E	VTDD90160		NUT REG. PRESS. M6	1,00		--
0049	E	VTDD63170		NUT M 6 ZN	1,00		--
0050	E	MPVR93921		TANK CAP OLIO G190	1,00	01/2007	--
0050	E	VVSC60646		VALVE SFIATO OLIO D.13,5	1,00		12/2006
0051	E	GUGO63403		O-RING D. 8.73 X 1.78 NBR 70SH	1,00		12/2006
0051	E	MPVR93917		OIL FILLER TANKG190	1,00	01/2007	--
0052	E	MLML59297		SPRING VALVOLA SFIATO	1,00		12/2006
0053	E	MPVR60064		OIL CAP D.13,5X12	1,00		12/2006
0054	E	GUGO02254		O-RING D.10 X 2 - NBR 70 SH	1,00		12/2006
0055	E	MPVR60569		OIL DIP. SPACERHOBBY	1,00		12/2006
0056	E	GUGO41608		GASKET D. 16.6-22	1,00		--
0057	E	MLML59285		SPRING 5 SP	3,00		--
0059	E	PIVR58625		PISTON FLAMMATO 14 AC/CE	3,00		--
0060	E	PVVR40201		SPRING PLATE H.90	3,00		--
0061	E	VTVT01573		SCREW TCEI 8X25 UNI5931	4,00		--
0062	E	RCDS59684		CAP G 3/8 CON.	1,00		--
0063	E	MFVR93898		ADAPTER SCUDO ANT. "G200" S3	1,00		--
0064	E	CUVR80744		ROLLER BEAR.DISAX 120 D.72	1,00		--
0065	E	CUVR80089		ROLLER BEAR.DISK81110TN INA	1,00		--
0066	E	CUVR53334		ROLLER BEAR.DISFISSA LS 5070	1,00		--
0067	E	VTVT29810		SCREW TCEI M 8X20 UNI 5931	1,00		--
0068	E	VTRS63265		WASHER SERRAGGIO DISCO INCL.	1,00		--
0069	E	MFVR80444		CAP INCL 10°30' AX120	1,00		--
0070	E	CUVR93801		BALL BEARING 7305 BTNG	1,00		--
0071	E	GUVR63517		PACKING D.25X47X7	1,00		--
0072	E	GUGO63466		O-RING D. 101.2 X 3,53 -NBR 70SH	1,00		--
0073	E	VTVT62921		SCREW TE M 6X 25 F/RD.ZN	4,00		--
0074	E	MFVR81363		SHIELD ANT.MEC90 X MOT. ELD	1,00		--
0075	E	MORT50680		ROTOR CPL 70X30H130	1,00		--
0076	E	VTVR23472		KEY 6X6X25	1,00		--
0077	E	MOST93801		EL.MOT. STATOR CPL 135X 70 H130 400/50 W	1,00		--

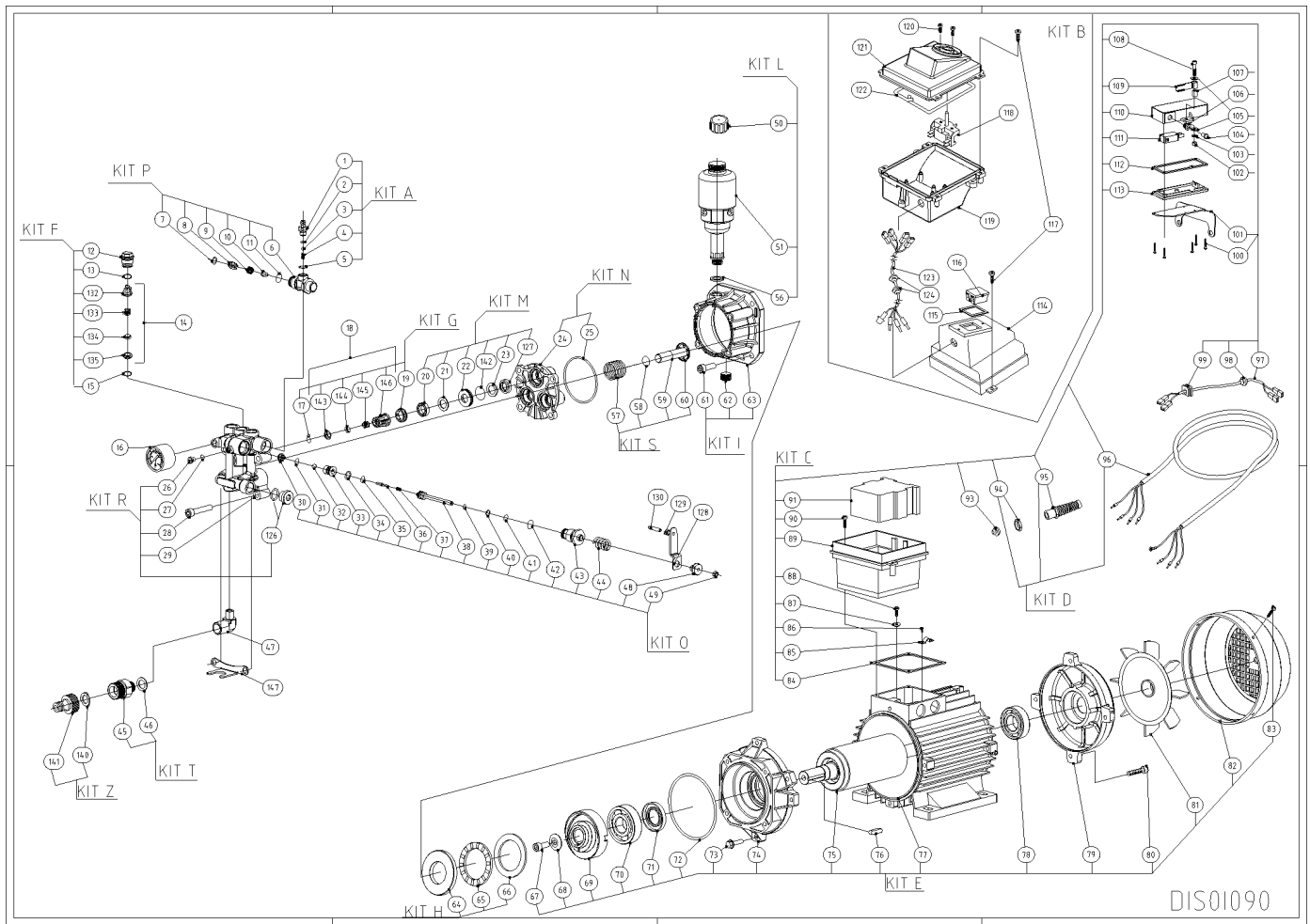


Ref.	K	Part N.	Customer Part N.	Description	Qty	Validity: From To	Price
0078	E	CUVR15981		BALL BEARING 6205 2RS1	1,00	--	--
0079	E	MFVR93801		SHIELD MEC 90-LATI	1,00	--	--
0080	E	VTVT62921		SCREW TE M 6X 25 F/RD.ZN	4,00	--	--
0081	E	VEVR41628		MOTOR FAN H90 FP	1,00	--	--
0082	E	MPVR93772		FAN COVER MEC 90 4F	1,00	--	--
0083	E	VTVT62986		SCREW AF TC INT.CR 3,5X 9,5 ZN	4,00	--	--
0084	E	GUGO41631		GASKET GR 80 -MEC 80/112	1,00	--	--
0085	E	MPVR60495		CLAMP HOBBY	1,00	--	--
0086	E	VTVT38041		SCREW TCB-TC 4X14 UNI7687	2,00	--	--
0087	E	VTRS63310		WASHER D. 4	1,00	--	--
0088	E	VTVT14839		SCREW M 4X 6 TCB TC DIN 7985	1,00	--	--
0089	E	MPVR81806		BASE-SUPPORT SC.EL. FT200 M100 TST	1,00	--	--
0090	E	VTVT09682		SCREW TPS-TC 5X12 UNI7688	4,00	--	--
0091	E	METT93800		CONTACTOR 11BF1810A400 9 KW 18A	1,00	--	--
0093	E	MPVR60519		FAIR-LEAD 20/28 H11/S4	1,00	--	--
0094	E	MEVR61833		LOCKNUT NYL PG 13.5 BK.	1,00	--	--
0095	E	MEVR61879		FAIR-LEAD PG 13.5 SP.	1,00	--	--
0096	E	MECB4233		CABLE H07 RNF 4X1.5 L=5.500	1,00	--	--
0097	E	MECB93805		CABLE 2X1,5 L=225 TS "G190XPW"	1,00	--	--
0098	E	MPVR60519		FAIR-LEAD 20/28 H11/S4	1,00	--	--
0099	E	MPVR40207		FAIR-LEAD COND.D.5.5 55 SHORE	1,00	--	--
0100	E	VTVT28535		SCREW TCB-TC 2.2X16 ZINC	5,00	--	--
0101	E	LAFN93804		BRACKET SIST.T-STOP G200XPW ITG	1,00	--	--
0102	E	VTDD04368		NUT M 4 ZIN UNI 5588	1,00	--	--
0103	E	VTRS00501		WASHER D. 4 0.232 UNI 6592	1,00	--	--
0104	E	MPVR93810		GUDGEON MICRO 5X13,5 PL S2	1,00	--	--
0105	E	VTRS63230		WASHER D. 4 X12	2,00	--	--
0106	E	MPVR41620		PROTECTOR S.T-STOP FP	1,00	--	--
0107	E	RCDS82462		BUSHING LEVA COMANDO MICRO	1,00	--	--
0108	E	VTVT10322		SCREW TCEI M 4 X 20	1,00	--	--
0109	E	LAFN82461		TRIGGER MICRO TS	1,00	--	--
0110	E	MPVR82746		SHELL T-STOP F140/150 S2	1,00	--	--
0111	E	MECI93800		MICROSWITCH 20A F.C/L XG02-86-J21Z1	1,00	--	--
0112	E	GUVR40208		GASKET T-ST. S/2	1,00	--	--
0113	E	MPVR40209		COVER S.T-STOP S/2	1,00	--	--
0114	E	MPVR93776		COVER SC.EL. G200X	1,00	--	--
0115	E	GUGO40147		GASKET SLX FP	1,00	--	--
0116	E	MPVR93843		BASE COVER INT. SIGN. +GUARN.	1,00	--	--
0117	E	VTVT62983		SCREW ATF TC CROCE M3,9X19 BRU	4,00	--	--



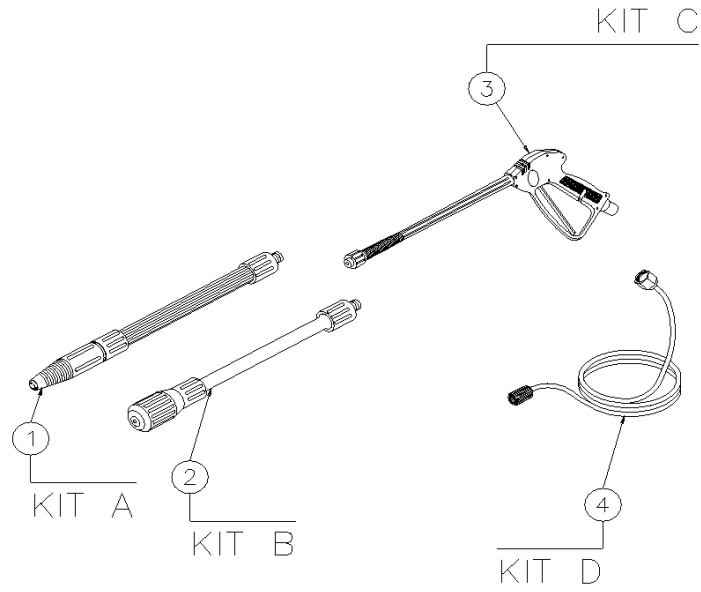
Ref.	K	Part N.	Customer Part N.	Description	Qty	Validity:		Price
						From	To	
0118	E	MECI61599		SWITCH AQUA 3022/31 A PL	1,00			--
0119	E	MPVR91921		BUSHING SCAT.EL. SERIE "G"	1,00			--
0120	E	VTVT63046		SCREW TSPEI M4X12 ZC.	2,00			--
0121	E	MPVR91919		BOX COVER "G160"	1,00			--
0122	E	GUVR82555		JOINT D. 4	0,40			--
0123	E	MECB93804		CABLE H07RNF 4X1,5 L=450 mm	1,00			--
0124	E	MEVR67433		FAIR-LEAD DR10/14/18-3	2,00			--
0126	E	RCVR67288		OIL CAP 3/8+G TCNB-38	1,00			--
0127	E	GUGO83400		OIL SEAL 14X 22X 5/7	3,00			--
0128	E	LAFN83503		BLADE H101	1,00			--
0130	E	VTVT63058		SCREW EI-ST M 5X25 UNI 5925	1,00			--
0132	E	MPVR60431		VALVE CAGE HOBBY	3,00			--
0133	E	MLML59303		SPRING VALV.A/M AX120	3,00			--
0134	E	PVVR40190		CAP A.700 INX	3,00			--
0135	E	PVVR59194		VALVE SEAT A/M INOX AX/120	3,00			--
0140	E	FTAC92422		WATER FILTER ASS. MTPV2000	1,00			--
0141	E	RCVR90242		SOCKET 3433 BK.	1,00			--
0142	E	GUGO01035		O-RING D. 13.95 X 2.62 NBR 70SH	3,00			--
0143	E	PVVR59194		VALVE SEAT A/M INOX AX/120	3,00			--
0144	E	PVVR40190		CAP A.700 INX	3,00			--
0145	E	MLML59303		SPRING VALV.A/M AX120	3,00			--
0146	E	MPVR91156		SPACER VALV. ASP. MTPO 3200/2,5	3,00			--
0147	E	LAFN93806		BRACKET RACCORDO ASP. G190XPW ITG	1,00			--





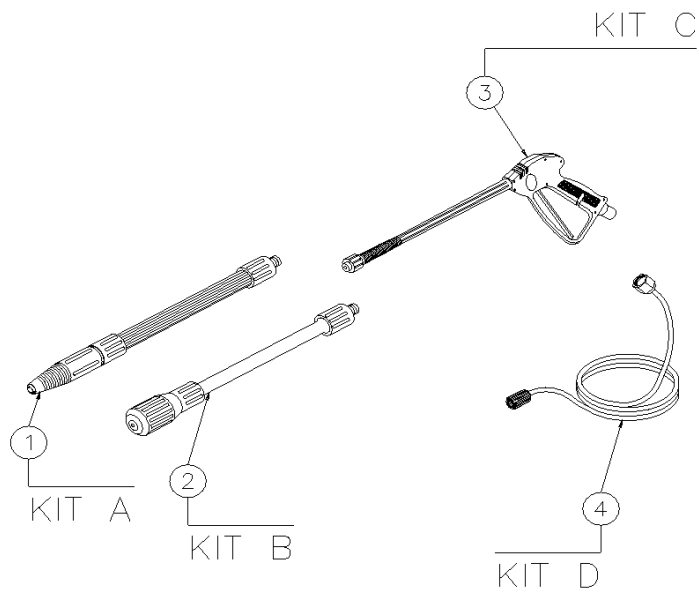
DIS01090

Ref. Part N.	Cust. Part N.	Description	Reference	Price
K A	KTRI91351	DETERGENT SUCT.KIT F 15-012 GN-----	0001 0002 0003 0004 0005	--
K B	KTRI93928	CONTROL BOARD KIT F 37-065 G190X (2P)	0114 0115 0116 0117 0118 0119 0120 0121 0122 0123 0124	--
K C	KTRI93929	CONTROL BOARD KIT F37-066 G190X INF(2P)	0084 0085 0086 0087 0088 0089 0090 0091 0093 0094 0095 0096 0097 0098 0099 0100 0101 0102 0103 0104 0105 0106 0107 0108 0109 0110 0111 0112 0113	--
K D	KTRI93930	CABLE KIT F 37-067 G190 (1PZ)	0094 0095 0096	--
K E	KTRI93931	MOTOR KIT F37-068 400/50 (1 PZ)	0067 0068 0069 0070 0071 0072 0073 0074 0075 0076 0077 0078 0079 0080 0081 0082 0083	--
K F	KTRI92405	SMALL VALVE KIT F 15-022 MAND.	0012 0013 0014 0015 0132 0133 0134 0135	--
K G	KTRI94000	SMALL VALVE KIT F 15-075 ASP.	0017 0018 0019 0143 0144 0145 0146	--
K H	KTRI83941	ROLLER BEAR.DISKIT 820 F150 4P (1 PZ)	0064 0065 0066	--
K I	KTRI93932	ADAPTER KIT F 15-065 G190PW (1PZ)	0061 0062 0063	--
K L	KTRI83478	CAP KIT 673 GN190669	0050 0051 0052 0053 0054 0055 0056	--
K L	KTRI94129	OIL FILLER TANKKIT F 34-006 + TAPPO G190	0050 0050 0056	--
K M	KTRI94001	PACKING KIT F 15-076	0020 0021 0022 0023 0127 0142	--
K N	KTRI94002	CRANKCASE F 15-077 "G190XPW" (5PZ)	0024 0025	--
K O	KTRI92404	VALVE BY-PASSKIT F 15-021	0030 0031 0032 0033 0034 0035 0036 0037 0038 0039 0040 0041 0042 0043 0044 0048 0049	--
K P	KTRI94003	SMALL VALVE KIT F 15-078	0006 0007 0008 0009 0010 0011	--
K R	KTRI94004	PUMP HEAD KIT F 15-079 G190 X PW	0026 0027 0028 0029 0126	--
K S	KTRI93938	PISTON KIT F 15-071 G150PW (1PZ)	0057 0058 0059	--
K T	KTRI93936	INTAKE CONNECT.KIT F 15-069 G150PW (1PZ)	0045 0046	--
K Z	KTRI82810	QUICK SOCKET KIT 560 (20 PZ)	0140 0141	--



VARI0059

Ref.	K	Part N.	Customer Part N.	Description	Qty	Validity:		Price
						From	To	
0001	E	LCPR93805		EXTENSION P 330 - I.JET D.1.40 AZ	1,00			--
0002	E	LCPR93176		LANCE TURBO TTR-16+SF230 D.1,35	1,00			--
0002	E	LCPR93807		EXTENSION P 330 - R.JET165 1.30 AR	1,00		09/2006	--
0003	E	IPPR93800		GUN G2100 +PROL.320 1/4M M22	1,00			--



VARI0059

Ref. Part N.	Cust. Part N.	Description	Reference	Price
K A	KTRI93946	EXTENSION KIT F31-050 I.JET1.40(1P)	0001	--
K B	KTRI93994	EXTENSION KIT F31-052 TURBO 1.35(1P)	0002	--
K C	KTRI93940	GRIP KIT F26-019 G2100+PROL(1P)	0003	--