



**IPC Integrated Professional Cleaning**

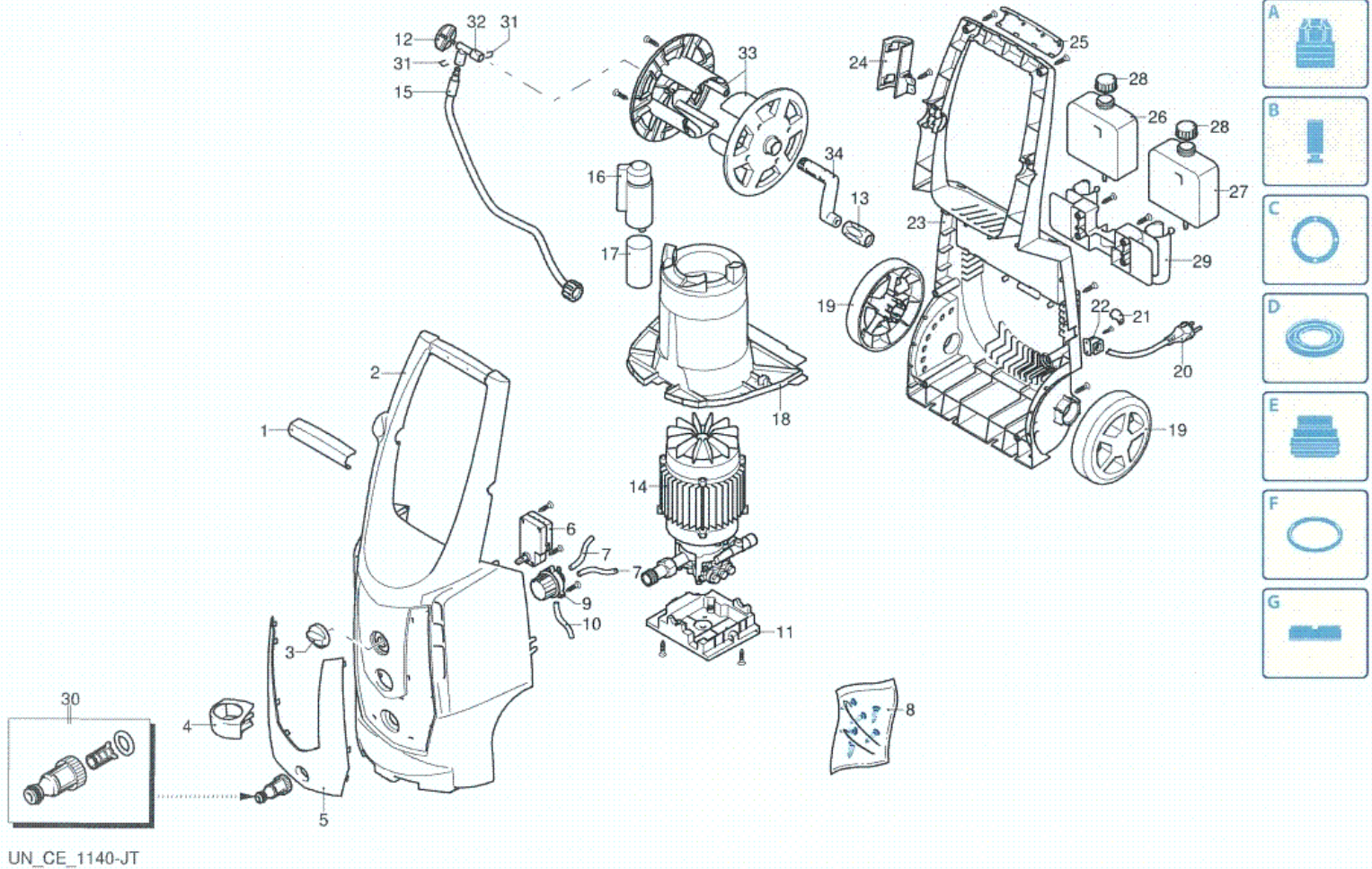
**IPC** Portotecnica

## Spare Parts List

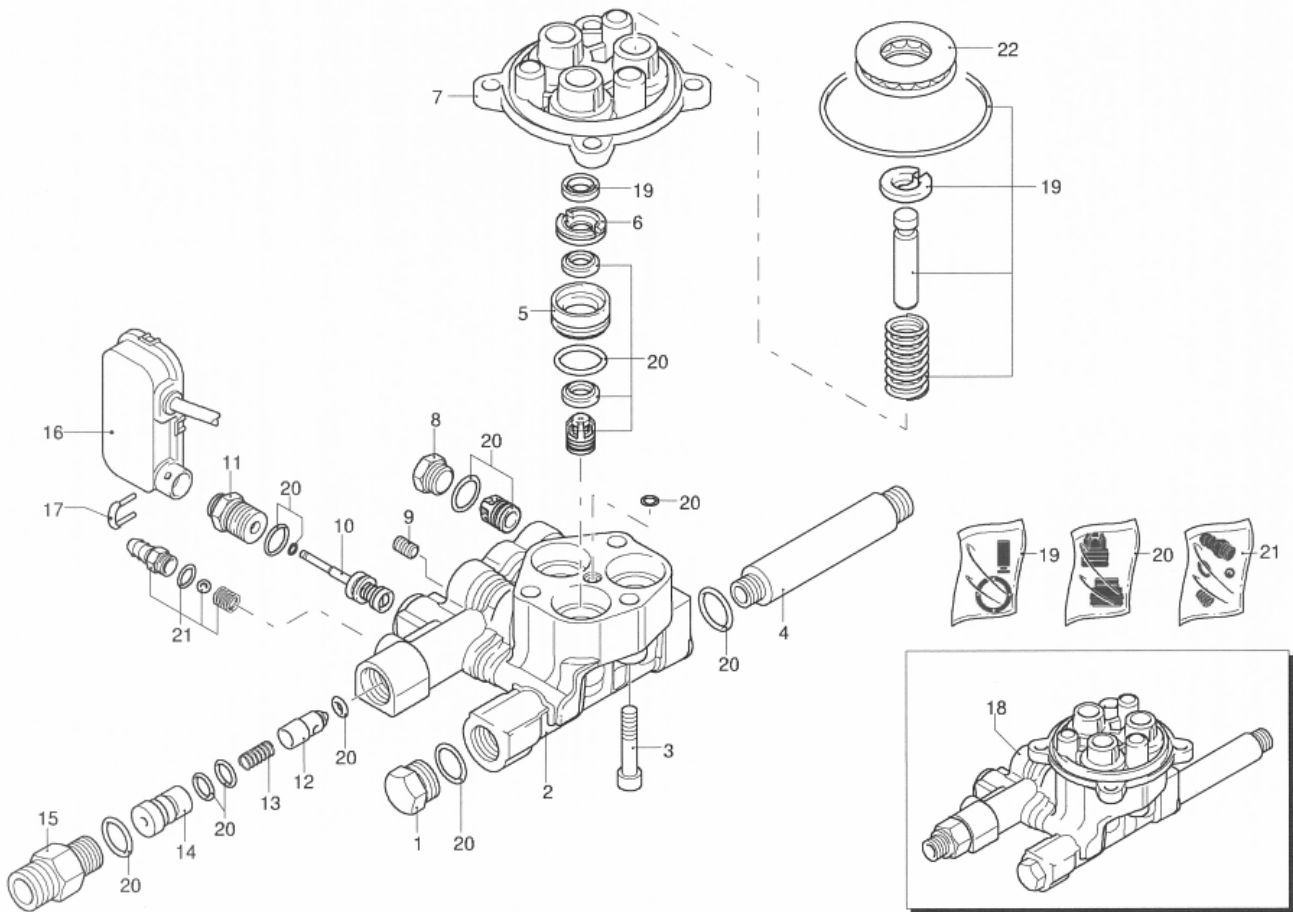
MEDIACOM

Ref: IDAF94241

Model: IDROP G161-C P I1610A M 230/50 3-01PRT

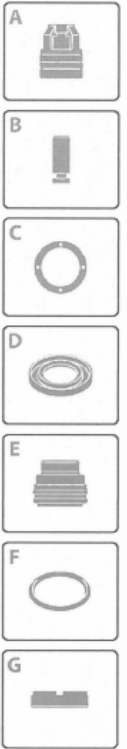
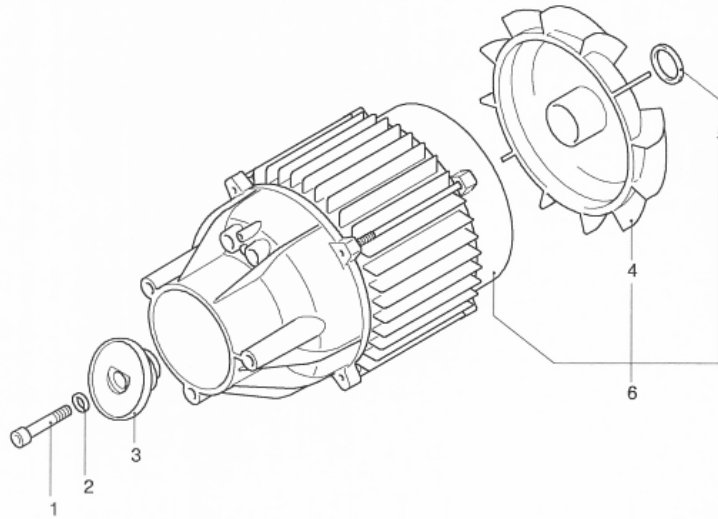


Ref.	K	Part N.	Customer Part N.	Description	Qty	Validity:		Price
						From	To	
0001		MPVR40463		HANDLE PW-C23 ANT.GR.	1,00			--
0002		MPVR40508		HOOD PW-C23 BK.	1,00			--
0003		MPVR40465		SWITCH KNOB PW-C23	1,00			--
0004		MPVR40466		SUPPORT PW-C23 BK.	1,00			--
0005		MPVR40509		INSERT PW-C23 RD.	1,00			--
0006		MPVR40468		CONTROL BOX PW-C23	1,00			--
0007		TBBP40061		L.P. HOSE D. 7-10 PW-C23	2,00			--
0008		KTRI40222		KIT P 4- 14 SCREW PW-C23	1,00			--
0009		RCGR40007		DETERGENT TAP PW-C23 2V.	1,00			--
0010		TBBP40062		L.P. HOSE D. 7-10 PW-C23/2	1,00			--
0011		MPVR40469		SUPPORT E.PMP PW-C23	1,00			--
0012		MPVR40482		CAP PW-C23 A.TB.	1,00			--
0013		MPVR40514		HANDLE PW-C23 AVTB	1,00			--
0015		TBAP40109		HOSE AVV. PW-C23	1,00			--
0016		MPVR40471		SUPPORT PW-C23	1,00			--
0017		MECO40010		CAPACITOR 30 MF	1,00			--
0018		MPVR40472		CONVEYOR PW-C23	1,00			--
0019		RTRT40028		WHEEL D.175 PW-C23	2,00			--
0020		MECB40239		CABLE PVC 3X1.5 SCH.	1,00			--
0021		MPVR40473		CAP PW-C23	1,00			--
0022		MPVR40454		CABLE CLAMP PW-C10	1,00			--
0023		MPVR40475		FRAME PW-C23 BK	1,00			--
0025		MPVR40477		HANDLE PW-C23 PST.GR.	1,00			--
0026		MPVR40512		TANK PW-C23 DX	1,00			--
0027		MPVR40513		TANK PW-C23 SX	1,00			--
0028		MPVR40480		TANK CAP PW-C23 BK.	2,00			--
0029		MPVR40515		HANDLE PW-C23	1,00			--
0030		RCVR40103		SOCKET C10 3/4 F +FILT.	1,00			--
0031		LAFN40542		PLUG "U" AVTB-C23	1,00			--
0032		RCDS40146		CONNECTOR PW-C23	1,00			--
0033		MPVR40484		DRUM PW-C23	1,00			--
0034		MPVR40460		HANDLE PW-C10	1,00			--



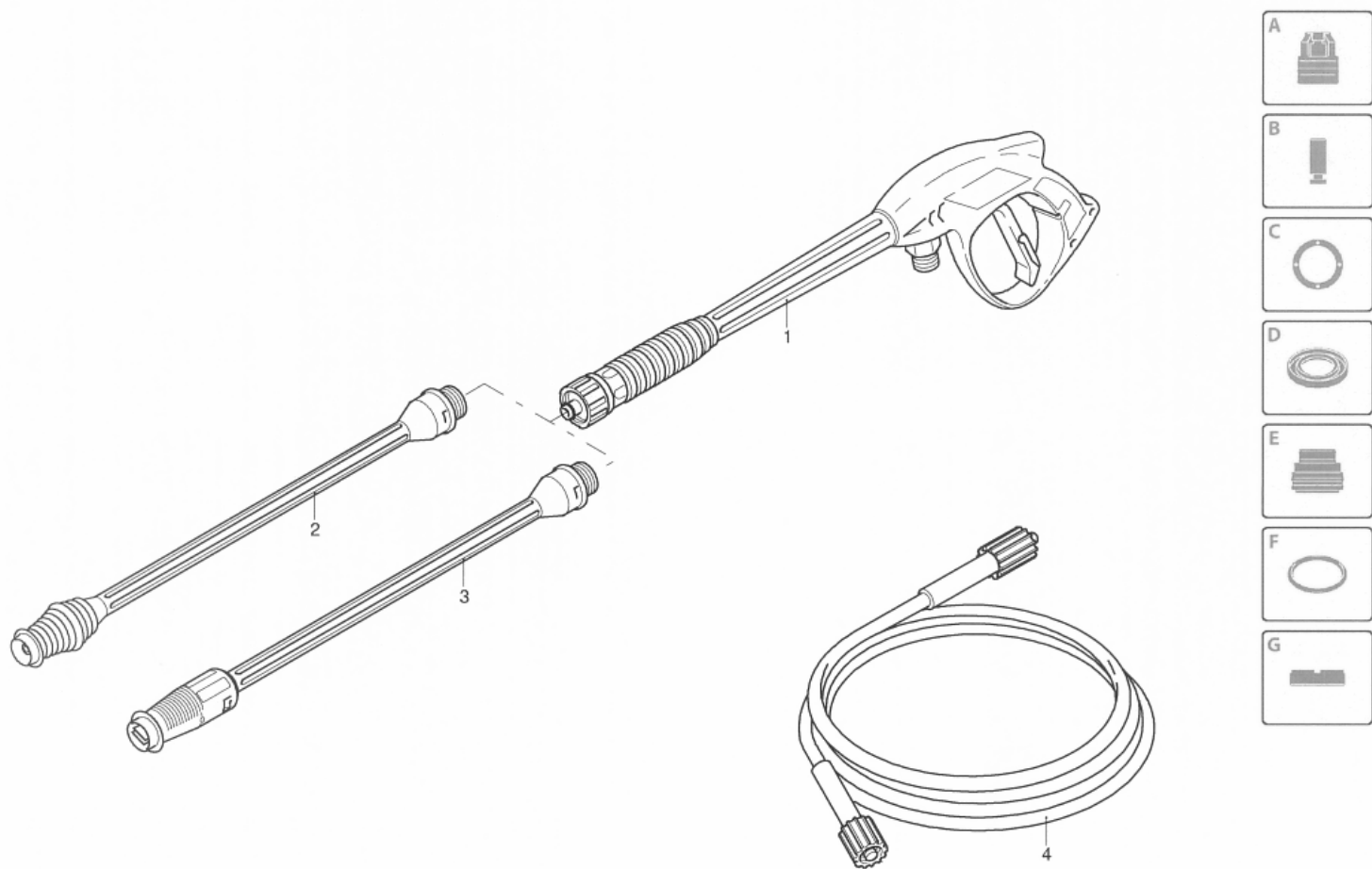
UN\_CE\_0571-NW

Ref.	K	Part N.	Customer Part N.	Description	Qty	Validity:		Price
						From	To	
0001		PVVR40099		CAP 3/8 M HRM	1,00			--
0002		MFVR40057		HEAD AR C23 AL.	1,00			--
0003		VTVT28306		SCREW TCEI 8X45 UNI5931	3,00			--
0004		RCDS40150		CONNECTOR G151	1,00			--
0005		PVVR40088		PACKING RETAIN.D. 12 HRM	3,00			--
0006		PVVR40089		INTERMED. RING D. 12 HRM	3,00			--
0007		MFVR40058		PISTON GUIDE POMPA AR C23	1,00			--
0008		PVVR40087		CAP AR HRM	3,00			--
0009		PVVR40358		SCREW SEDE SFERA AR	1,00			--
0010		KTRI40229		KIT P 15-510 PISTON+SPRING TST	1,00			--
0011		PVVR40097		PISTON GUIDE AR TSS	1,00			--
0012		PVVR40091		COUPLING AR HRM	1,00			--
0013		MLML32257		SPRING D. 6.5 X14 D.0.5	1,00			--
0014		PVVR40359		INJECTOR G151	1,00			--
0015		RCDS40151		CONNECTOR INJECTOR G151	1,00			--
0016		MEPF40020		PRESSURE SWITCHAR TSS	1,00			--
0017		LAFN40543		PLUG "U" TSS G151	1,00			--
0018		PPAP40104		PUMP AR G161 PREM.	1,00			--
0019		KTRI40230		KIT P 15-42754 G151	1,00			--
0020		KTRI40231		KIT P 15-42755 G151	1,00			--
0021		KTRI40232		KIT P 15-42756 DET.SUC. G151	1,00			--
0022		CUVR40019		BEARING AR	1,00			--



UN\_CE\_0468-EW

Ref. K	Part N.	Customer Part N.	Description	Qty	Validity:		Price
					From	To	
0001	VTVT06237		SCREW TCEI 6X20 UNI5931	1,00			--
0002	VTRS40018		WASHER D. 6 X10 GROWER	1,00			--
0003	PVVR40361		CAP G161	1,00			--
0004	VEVR40011		IMPELLER C23	1,00			--
0005	VTVR40046		RING C23	1,00			--
0006	MOMO40034		1PH MOTOR ARC23 W 2500 230-50 AR	1,00			--



UN\_CE\_1146-JT

Ref.	K	Part N.	Customer Part N.	Description	Qty	Validity:		Price
						From	To	
0001		IPPR40012		GUN BIT +P270 +M22 M	1,00			--
0002		LCPR40079		LANCE R.POWER P 440 +M22 D.1.07	1,00			--
0003		LCPR40074		LANCE M.REG P 440 +M22 D.1.07GR	1,00			--
0004		TBAP40108		H.P. HOSE SAE MT 12 1/4 -1IRV	1,00			--