



IPC Integrated Professional Cleaning

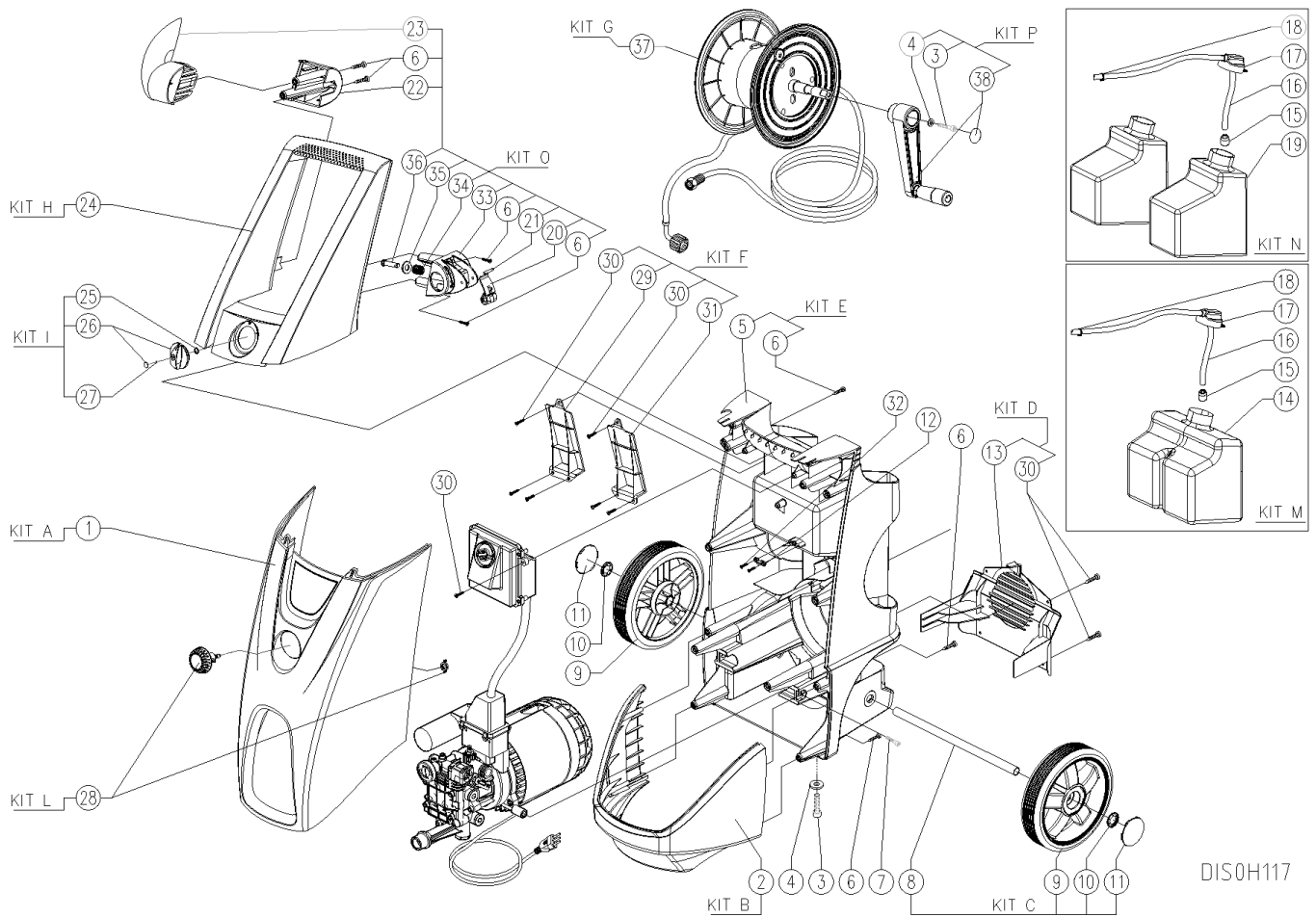
IPCPortotecnica

Spare Parts List

PORTOTECNICA

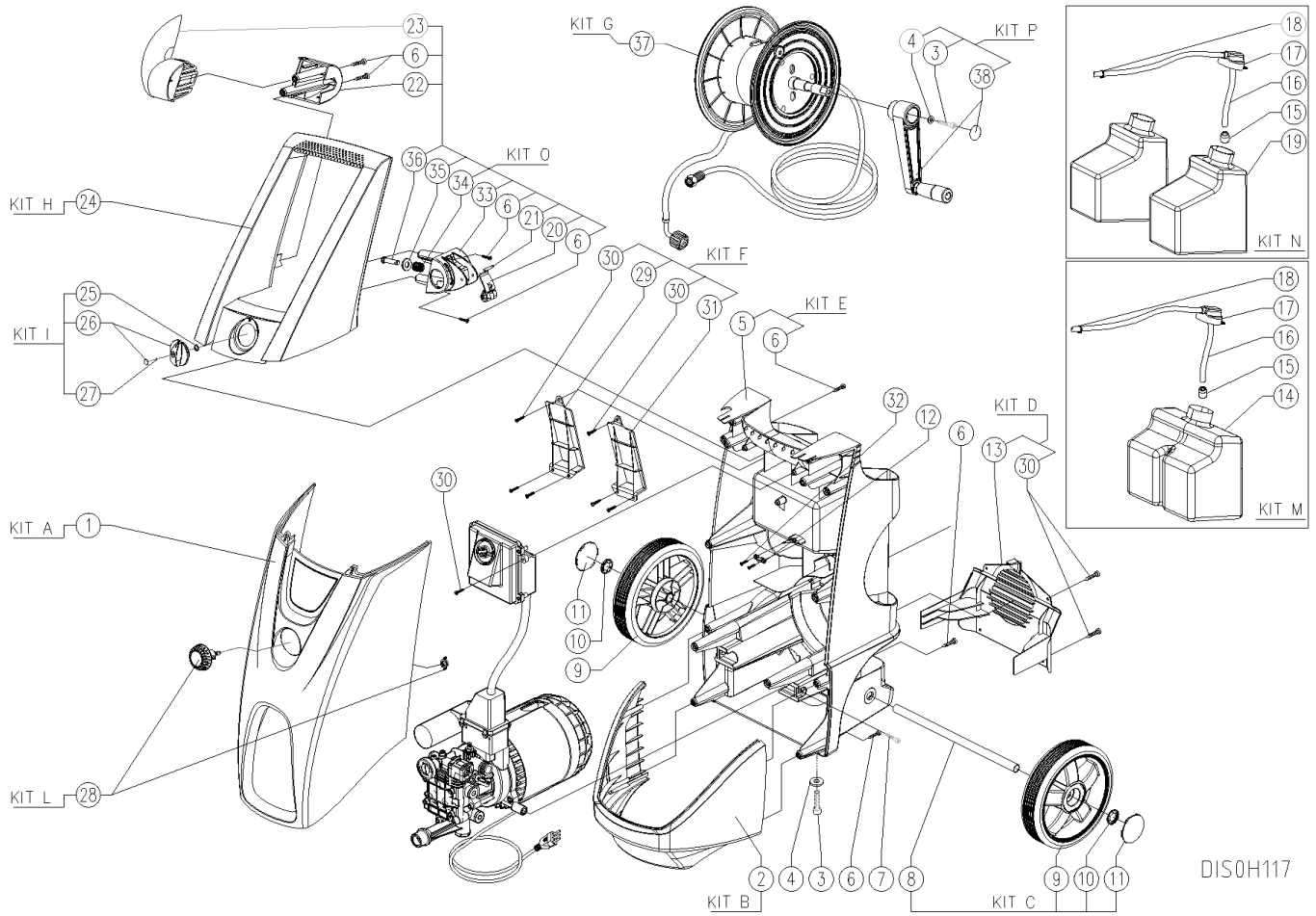
Ref: IDAF92063

Model: IDROP G160X OT 2T DS M 230/50 3-01PRT

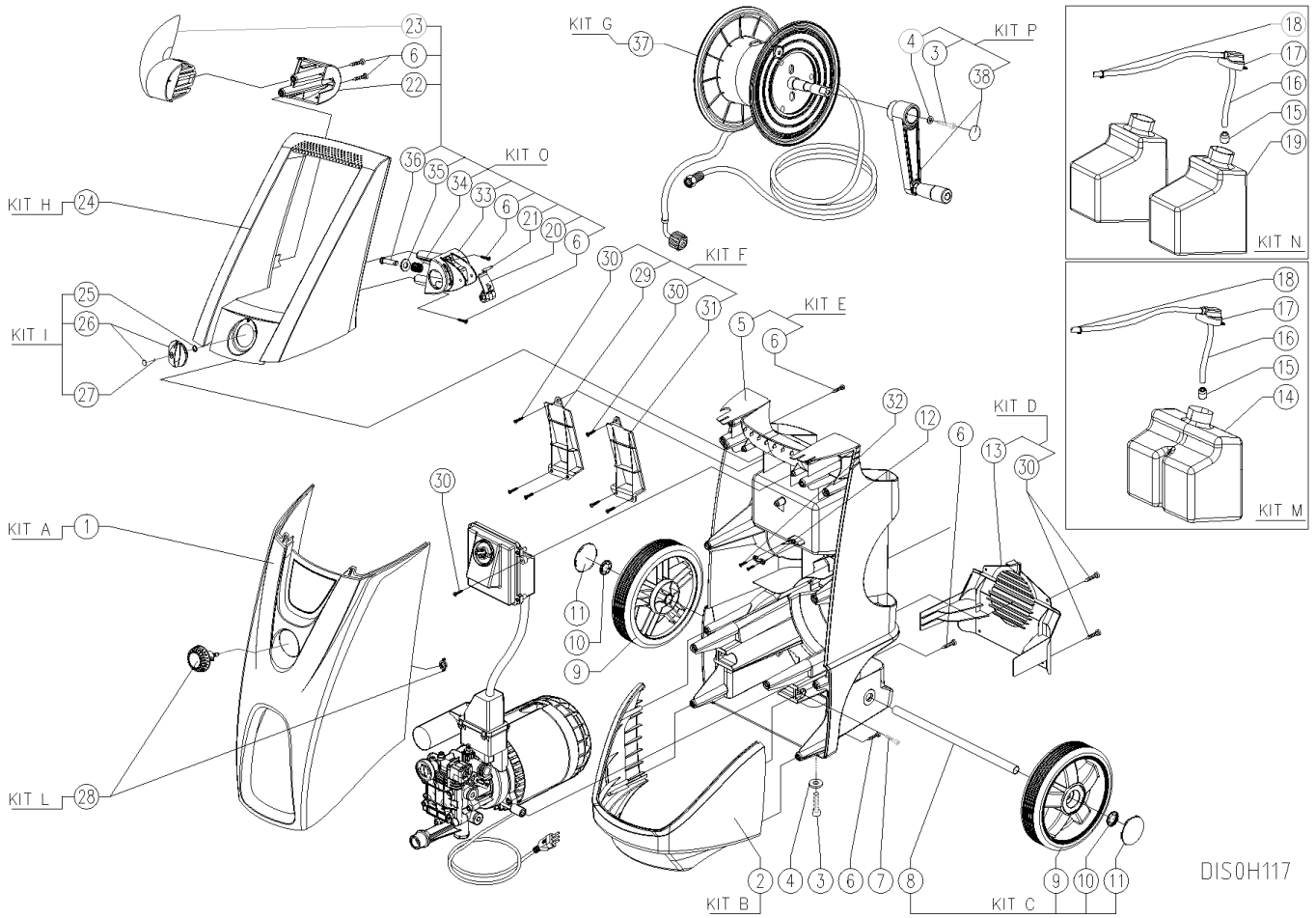


DIS0H117

Ref.	K	Part N.	Customer Part N.	Description	Qty	Validity:		Price
						From	To	
0001	E	MPVR92126		RED COVER "SERIE G" IPC	1,00			--
0002	E	MPVR92120		BAND ANT. "SERIE G"	1,00			--
0003	E	VTVT01573		SCREW TCEI 8X25 UNI5931	1,00			--
0003	E	VTVT90541		SCREW TCEI M 6X20 ATF TRIL.	1,00			--
0004	E	VTRS63232		WASHER D. 8 X17	1,00			--
0004	E	VTRS63242		WASHER D. 6 X24 ZC	1,00			--
0005	E	MPVR92122		FRAME "SERIE G"	1,00			--
0006	E	VTVT80745		SCREW TCB-TC 5 X25	18,00			--
0007	E	VTVT01573		SCREW TCEI 8X25 UNI5931	2,00			--
0008	E	LAFN92146		WHEELS AXLE H 121	1,00			--
0009	E	RTRT91967		WHEEL D.200 "SERIE G" GRIGIA	2,00			--
0010	E	VTRS60945		WASHER D.15	2,00			--
0011	E	MPVR91970		GREY HUB CAP "SERIE G"	2,00			--
0012	E	MPVR60495		CLAMP HOBBY	1,00			--
0013	E	MPVR92355		BAND POST. "SERIE G"	1,00			--
0015	E	MPVR60422		SUCTION FILTER DETERG.HOBBY 90	1,00			--
0016	E	KTRI93525		DETERGENT TANK KIT F6-007 "G" 1,5LT(2PZ)	1,00			--
0017	E	MPVR91923		TANK CAP "G160"	2,00			--
0018	E	FSVR72803		CLAMP D 9.3 - 9.9	2,00			--
0019	E	MPVR92131		DETERGENT TANK "SERIE G" LT 1,5	2,00			--
0020	E	MPVR92108		ECCENTRIC CAM AVTB "G"	1,00			--
0021	E	VTVR92465		PLUG D. 4X20 UNI 1707 INX	1,00			--
0022	E	MPVR92112		HOSE WIND.SUPP."SERIE G" DX	1,00			--
0023	E	MPVR92116		HOOK "SERIE G" DX	1,00			--
0024	E	MPVR92477		HANDLE "SERIE G"	1,00			--
0025	E	GUGO01060		O-RING D. 9.92 X 2.62 NBR 70SH	1,00			--
0026	E	MPVR91917		SWITCH KNOB SERIE "G"	1,00			--
0027	E	VTVT92473		SCREW TCB-TC 2,5X12 ZINC	1,00			--
0028	E	RCGR92667		TAP "G" SERIG. 2T	1,00			--
0028	E	RCGR93688		TAP "G" TAMP. 1T	1,00			--
0029	E	MPVR93244		PLATE TELAIO "SERIE G" DX	1,00			--
0030	E	VTVT67350		SCREW TCB TC 5X20 Z.N. UNI9707	13,00			--
0031	E	MPVR93245		PLATE TELAIO "SERIE G" SX	1,00			--
0032	E	VTVT62978		SCREW TCB TC 4,8X16 ZC	2,00			--
0033	E	MPVR92118		HOSE WIND.SUPP."SERIE G" SX	1,00			--
0034	E	MLML92466		SPRING SPINTA CAMMA BLOC. "G"	1,00			--
0035	E	LAFN40163		SPACER B.PASS 12	1,00			--
0036	E	RCDS92467		PIN AVVOLGITUBO H120	1,00			--
0037	E	AVTB91873		HOSE REEL ASS. "G160"	1,00			--

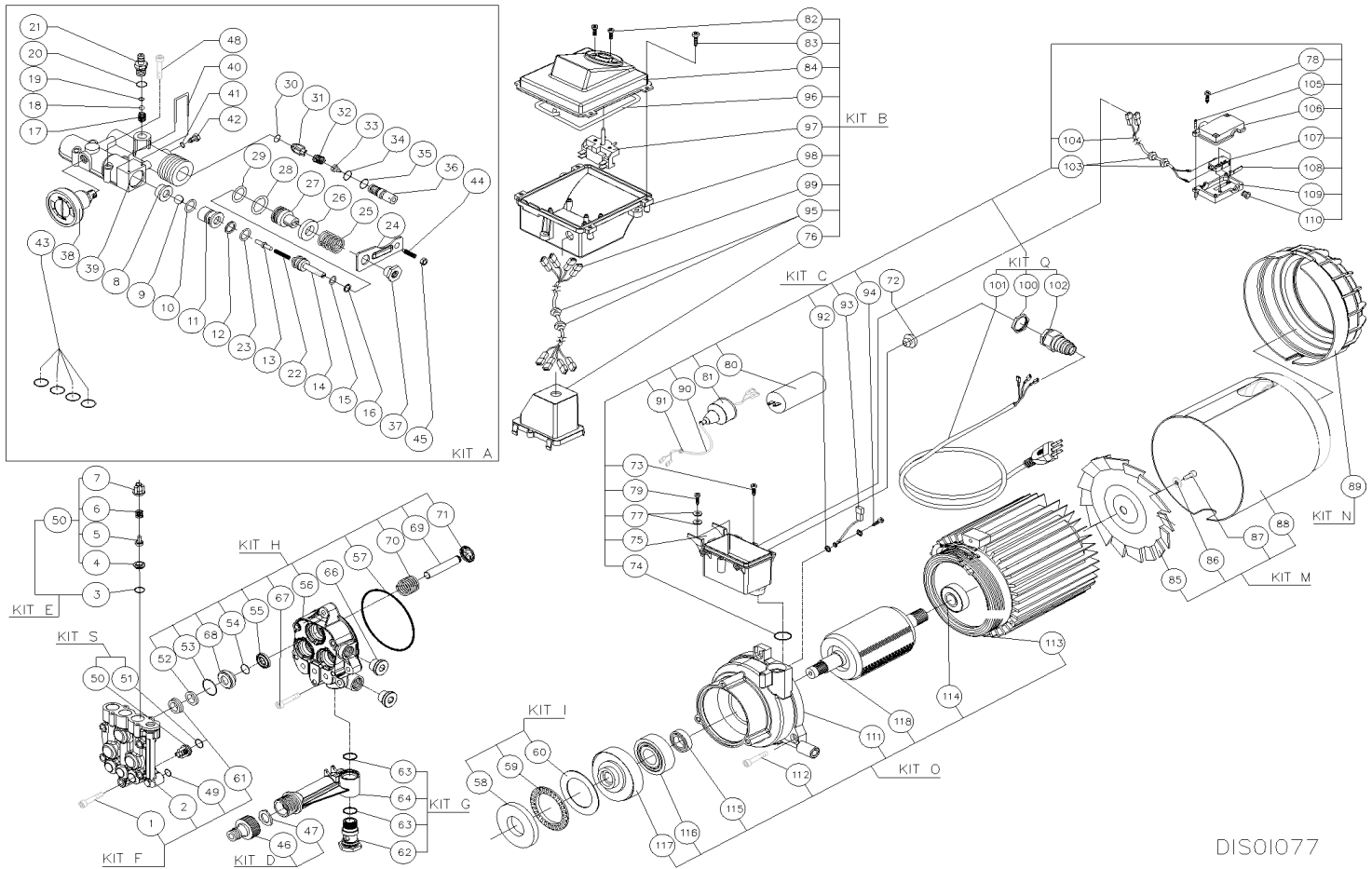


Ref.	K	Part N.	Customer Part N.	Description	Qty	Validity:		Price
						From	To	
0038	E	MPVR92147		HANDLE AVV/TUB*SERIE F*138-60 M8	1,00			--



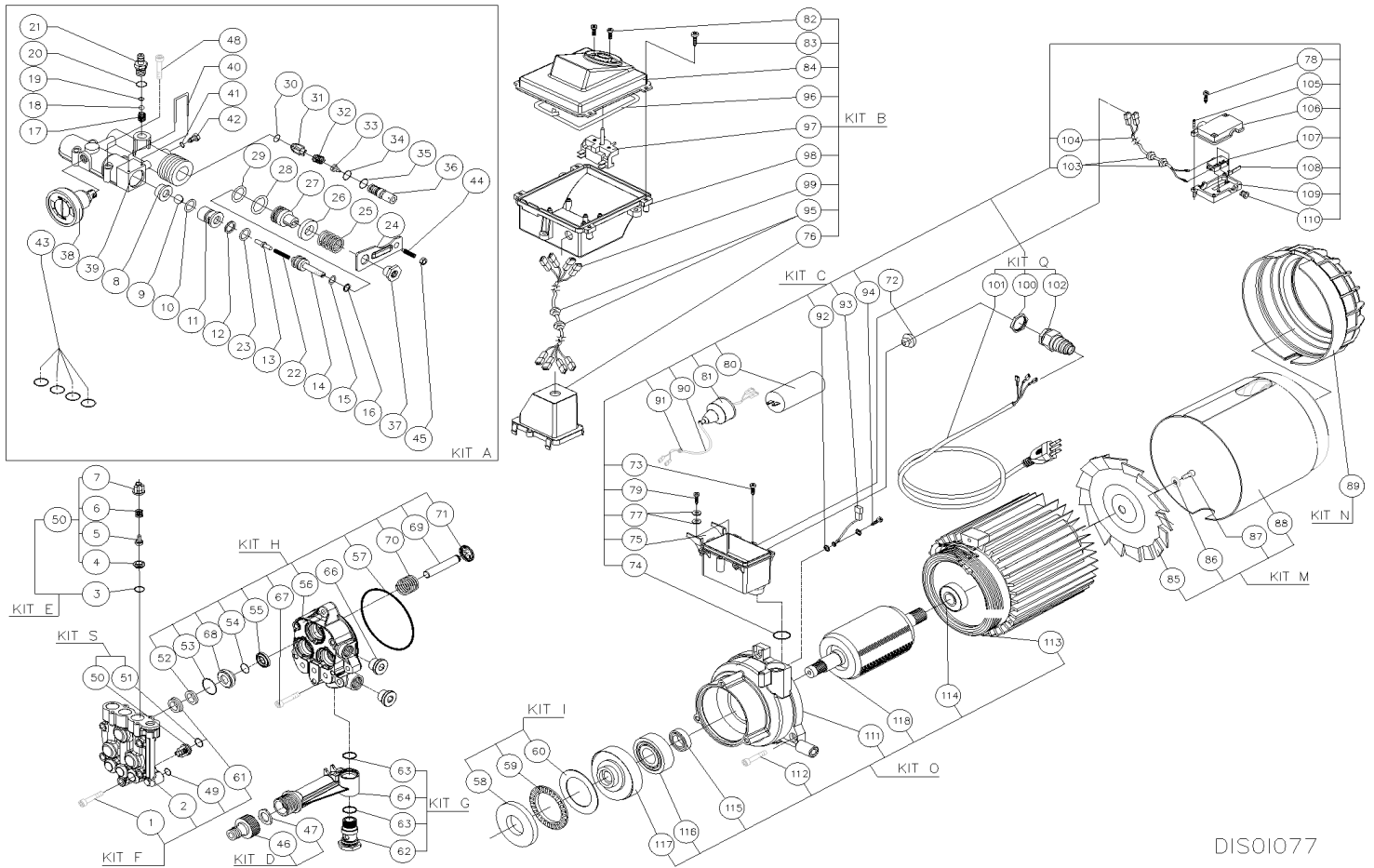
DIS0H117

Ref. Part N.	Cust. Part N.	Description	Reference	Price
K 3	KTRI84025	SCREW KIT 830 (50 PZ)	0003 0003	--
K 4	KTRI93551	SCREW KIT F 30-014 (50 PZ)	0004 0004	--
K 6	KTRI92987	SCREW KIT F 30-006 (50 PZ)	0006	--
K 7	KTRI93513	SCREW KIT F 30-012 (50 PZ)	0007	--
K A	KTRI93635	RED COVER KIT F24-074 "G" (3 PZ)	0001	--
K B	KTRI93502	BAND KIT F24-056 ANT. "G" (5P)	0002 0006	--
K C	KTRI93503	WHEEL KIT F1-004 AQK-PRO (2P)	0008 0009 0010 0011	--
K D	KTRI93504	COOLING GRILL KIT F24-057 "G" (10 PZ)	0013 0030	--
K E	KTRI93505	FRAME KIT F24-058 "SERIE G"(1)	0005 0006	--
K F	KTRI93506	PLATE KIT F24-059 "G"DX/SX (10P)	0029 0030 0031	--
K G	KTRI93526	HOSE REEL KIT F35-002 "G160"+GM 12M	0037	--
K H	KTRI93623	HANDLE KIT F 24-071 "SERIE G" 3P	0024	--
K I	KTRI93509	RED KNOB KIT F04-001 INT."G" (20P)	0025 0026 0027	--
K L	KTRI93524	TAP KIT F6-006 "G" 2T (10PZ)	0028	--
K N	KTRI93525	DETERGENT TANK KIT F6-007 "G" 1,5LT(2PZ)	0015 0016 0017 0018 0019	--
K O	KTRI93522	HOOK KIT F24-063 "PRO150X"(1PZ)	0006 0020 0021 0022 0023 0033 0034 0035 0036	--
K P	KTRI93527	HANDLE KIT F24-065 AVTB "G"(1PZ)	0003 0003 0004 0004 0038	--
K 12	KTRI84071	CLAMP KIT 876 (20 PZ)	0012	--
K 30	KTRI93514	SCREW KIT F 30-013 (50 PZ)	0030	--
K 32	KTRI84030	SCREW KIT 835 (50 PZ)	0032	--



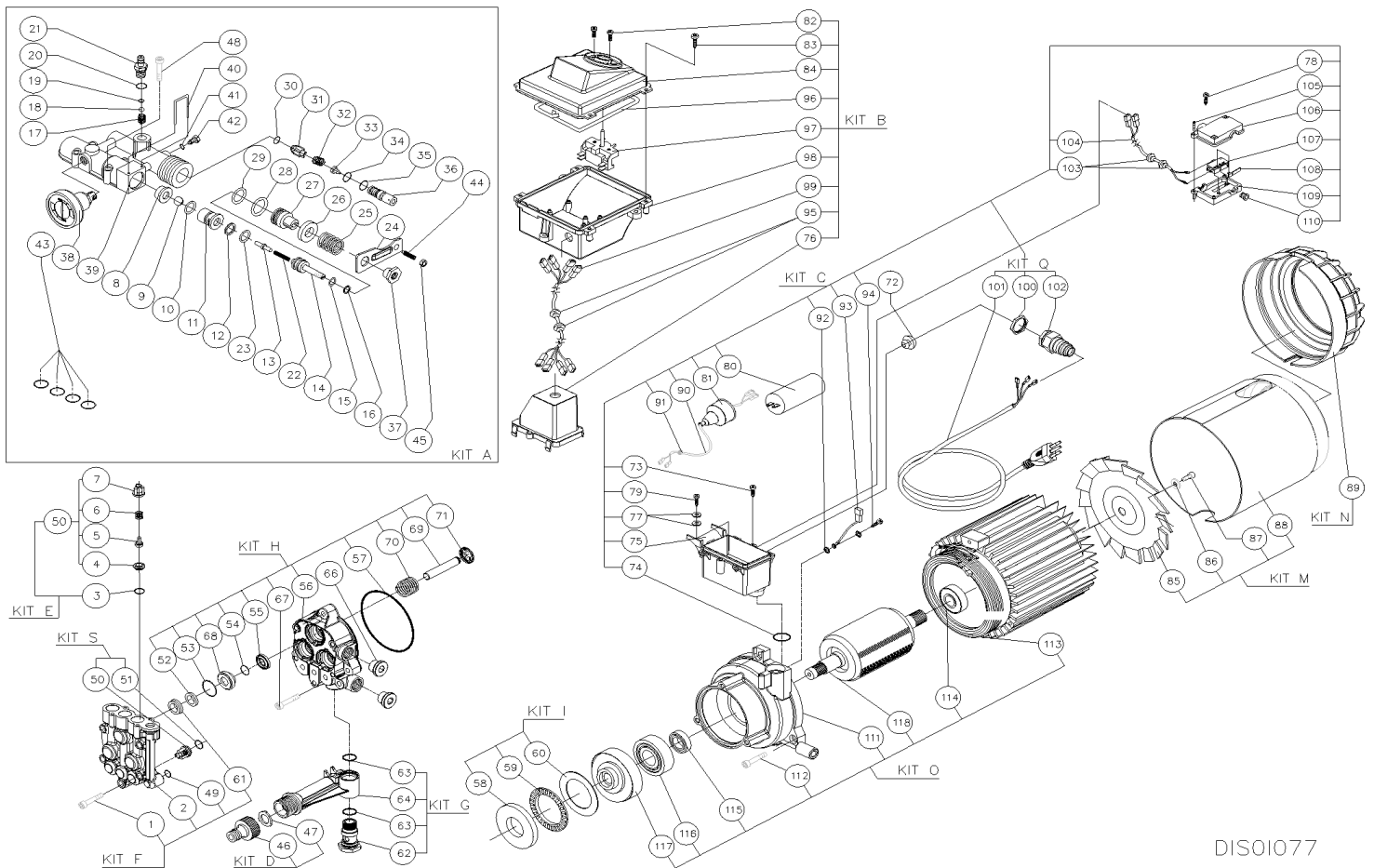
DIS01077

Ref.	K	Part N.	Customer Part N.	Description	Qty	Validity: From	To	Price
0001	E	VTVT91360		SCREW TCEI M 7X35 32000 N ZN.G.	5,00	11/2004		--
0002	E	MFVR92151		HEAD HBY 5VT OT S/R M7	1,00	11/2004		--
0003	E	GUGO21841		O-RING D. 12.42 X 1.78 NBR 90SH	3,00	11/2004		--
0004	E	PVVR40191		VALVE SEAT "TH"	1,00	11/2004		--
0005	E	PVVR40190		CAP A.700 INX	1,00	11/2004		--
0006	E	MLML40189		SPRING D. 5.5 "TH"	1,00	11/2004		--
0007	E	PVVR40188		VALVE GUIDE "TH"	1,00	11/2004		--
0008	E	PVVR40167		CAP B12	1,00			--
0009	E	SFVR53318		BALL D. 7 AISI 420	1,00			--
0010	E	GUGO03496		O-RING D. 9.25 X 1.78 NBR 70SH	1,00			--
0011	E	PVVR81275		VALVE SEAT D. 5.6 B POL.	1,00			--
0012	E	GUVR63570		ANTI-EXTR.RING D. 9 X12 X1.5 OR108	1,00			--
0013	E	PVVR40165		CONTROL PISTON E.START	1,00			--
0014	E	PVVR92410		SMALL PISTON E.START LG. ALL.	1,00			--
0015	E	GUGO12489		O-RING D. 6.07 X 1.78 NBR 70SH	2,00			--
0016	E	GUVR40170		ANTI-EXTR.RING D. 6 X 9	1,00			--
0017	E	MLML40172		SPRING D. 3.5 h=12	1,00			--
0018	E	SFVR40173		BALL D. 3/16" AISI 420	1,00			--
0019	E	GUGO01062		O-RING D. 3.69 X 1.78 NBR 70SH	1,00			--
0020	E	GUGO06988		O-RING D. 7.66 X 1.78 NBR 70SH	1,00			--
0021	E	RCDS92412		CONNECTOR ASP.DETERG.- H110 ALL	1,00			--
0022	E	MLML40169		SPRING E.START	1,00			--
0023	E	GUGO63403		O-RING D. 8.73 X 1.78 NBR 70SH	1,00	11/2004		--
0024	E	LAFN41612		PLATE SIST.T-STOP A/400	1,00			--
0025	E	MLML80964		SPRING D. 17,5 X 25 X 3,5 145 BA	1,00			--
0026	E	LAFN58903		SPACER D.12 BY-PASS	1,00			--
0027	E	PVVR92408		VALVE BODY BY-PASS B ALL.	1,00			--
0028	E	GUGO09720		O-RING D. 14 X 1.78 NBR 70SH	1,00	09/2004		--
0029	E	GUGO11652		O-RING D. 12.42 X 1.78 NBR 70SH	1,00	09/2004		--
0030	E	GUGO93633		O-RING D. 5 X 2 NBR 90SH	1,00			--
0031	E	VVSF40182		VALVE H90 PLS	1,00			--
0032	E	MLML59254		SPRING D. 9.2 X10X0.8 AISI 302	1,00			--
0033	E	UGEI40178		NOZZLE D. 1.8 HOBBY	1,00			--
0034	E	GUGO40179		O-RING D. 8 X 2 NBR 70SH	1,00			--
0035	E	GUGO03496		O-RING D. 9.25 X 1.78 NBR 70SH	1,00			--
0036	E	MPVR81152		NIPPLE H90 S3	1,00			--
0037	E	VTDD92738		NUT E.START ALL.	1,00			--
0038	E	MNMN91833		PRESSURE GAUGE D.40 MIN-MAX R1/8"	1,00	02/2005		--
0039	E	MFVR57878		MANIFOLD H94 AL ML AN	1,00			--



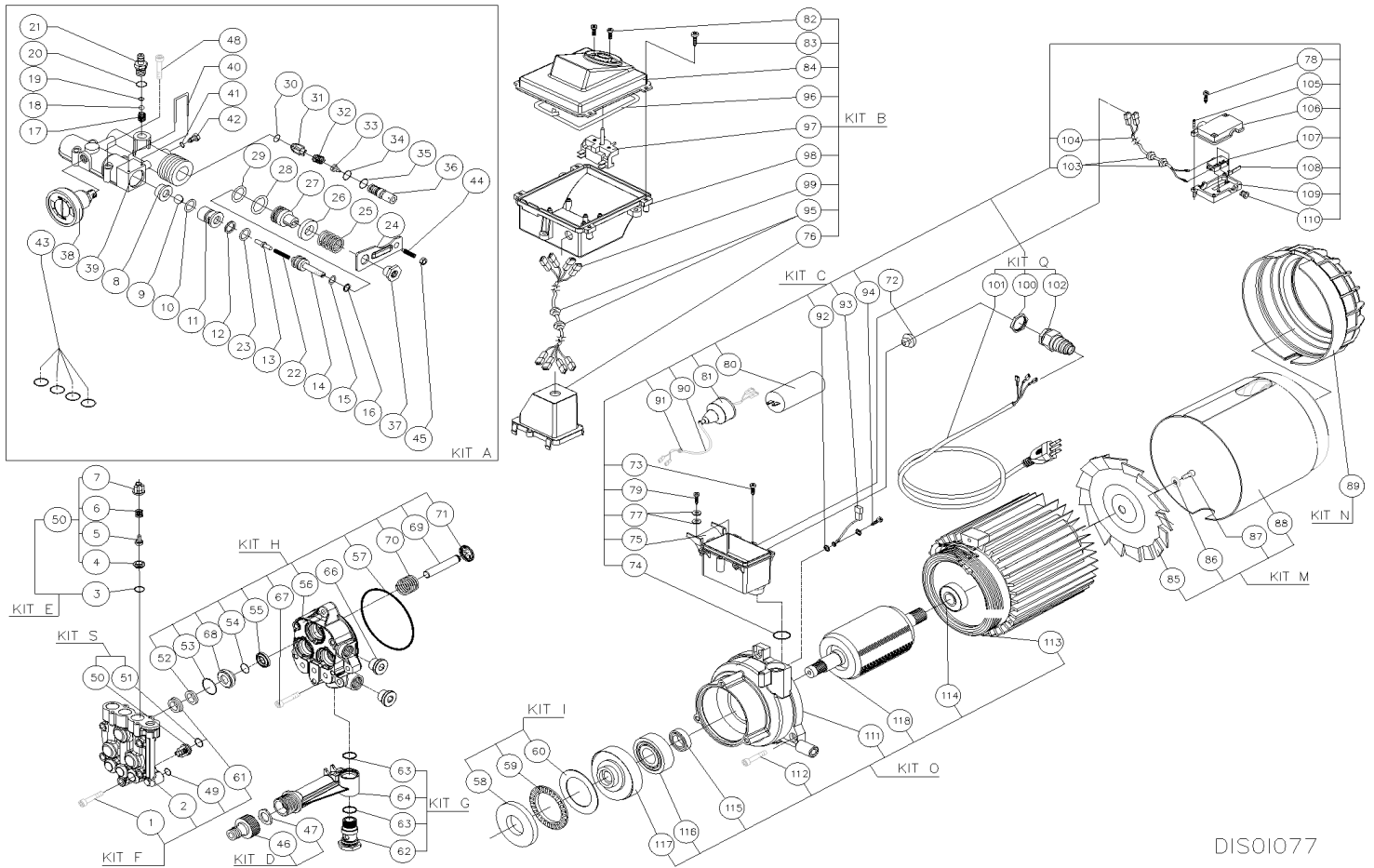
DIS01077

Ref.	K	Part N.	Customer Part N.	Description	Qty	Validity: From To	Price
0039	E	MFVR57881		MANIFOLD H94AL ML 15 FUS	1,00	--	--
0040	E	LAFN82147		PLUG ARR.CART BY-PASS BUR S2	1,00	--	--
0041	E	GUGO63486		O-RING D. 4 X 2 -NBR 90SH	1,00	--	--
0042	E	PVVR92733		SCREW RIT.NIPPLO HOBBY90 ALL.	1,00	--	--
0043	E	GUGO40193		O-RING D. 15 X 2 NBR 70SH	4,00	11/2004	--
0044	E	VTVT80892		SCREW M 5X 30 UNI 5925	1,00	02/2005	--
0045	E	VTDD01678		NUT M 5 UNI 5588	1,00	--	--
0046	E	FTAC92422		WATER FILTER ASS. MTPV2000	1,00	11/2004	--
0047	E	RCVR90242		SOCKET 3433 BK.	1,00	07/2003	--
0048	E	VTVT91362		SCREW TCEI M 5X30 12.9 ZN.G.	4,00	11/2004	--
0049	E	GUGO63403		O-RING D. 8.73 X 1.78 NBR 70SH	1,00	--	--
0050	E	VVAM41610		VALVE UNIT F 140/150 IP	6,00	11/2004	--
0051	E	GUGO40192		O-RING D. 12 X 2 NBR 90SH	3,00	11/2004	--
0052	E	PVVR81773		HEAD RING 14X22X1.5	3,00	11/2004	--
0053	E	GUGO19290		O-RING D. 23.52 X 1.78 NBR 70SH	3,00	11/2004	--
0054	E	GUGO19194		O-RING D. 11.11 X 1.78 NBR 70SH	3,00	--	--
0055	E	GUGO83400		OIL SEAL 14X 22X 5/7	3,00	--	--
0056	E	MFVR91823		CRANKCASE RNF 14CT H3 PF3/8G SS 3/8	1,00	--	--
0056	E	MFVR91824		CRANKCASE RNF 14CT H3 PF3/8G M7 AN	1,00	--	--
0057	E	GUGO40199		O-RING D. 80.60 X 2.62 NBR 70SH	1,00	--	--
0058	E	CUVR91911		THRUST BLOCK D. 27X60 H6	1,00	12/2004	--
0059	E	CUVR40152		ROLLER BEARING AXK 4060	1,00	--	--
0059	E	CUVR92973		ROLLER BEARING AXK 4060	1,00	--	--
0060	E	CUVR40153		FLANGE D. 40X60-1 AS4060	1,00	--	--
0060	E	CUVR92974		FLANGE D. 40X60-1 AS4060	1,00	--	--
0061	E	GUVR40194		PACKING D. 14 W214	3,00	11/2004	--
0062	E	MPVR91829		SCREW 3/8 RACC. ASP. G160	1,00	--	--
0062	E	MPVR91829		SCREW 3/8 RACC. ASP. G160	1,00	--	--
0063	E	GUGO24913		O-RING D. 17.17 X 1.78 NBR 90SH	2,00	--	--
0064	E	MPVR91828		INTAKE CONNECT.G160	1,00	--	--
0066	E	RCVR67288		OIL CAP 3/8+G TCNB-38	2,00	--	--
0067	E	VTVT91361		SCREW TCEI M 6X30 22000 N ZN.G.	3,00	11/2004	--
0068	E	PVVR92721		PACKING RETAIN.D. 14 H.90 S2 ALL.	3,00	01/2005	--
0069	E	PIVR67537		PISTON D. 14X 63 HBY 90SP.	3,00	--	--
0069	E	PIVR90981		PISTON D. 14X 63 HBY 90SP.	3,00	--	--
0070	E	MLML59285		SPRING 5 SP	3,00	10/1999	--
0071	E	PVVR40201		SPRING PLATE H.90	3,00	--	--
0072	E	MEVR90388		FAIR-LEAD GOMMA 9/14/18-3	1,00	11/2004	--
0073	E	VTVT80745		SCREW TCB-TC 5 X25	2,00	--	--



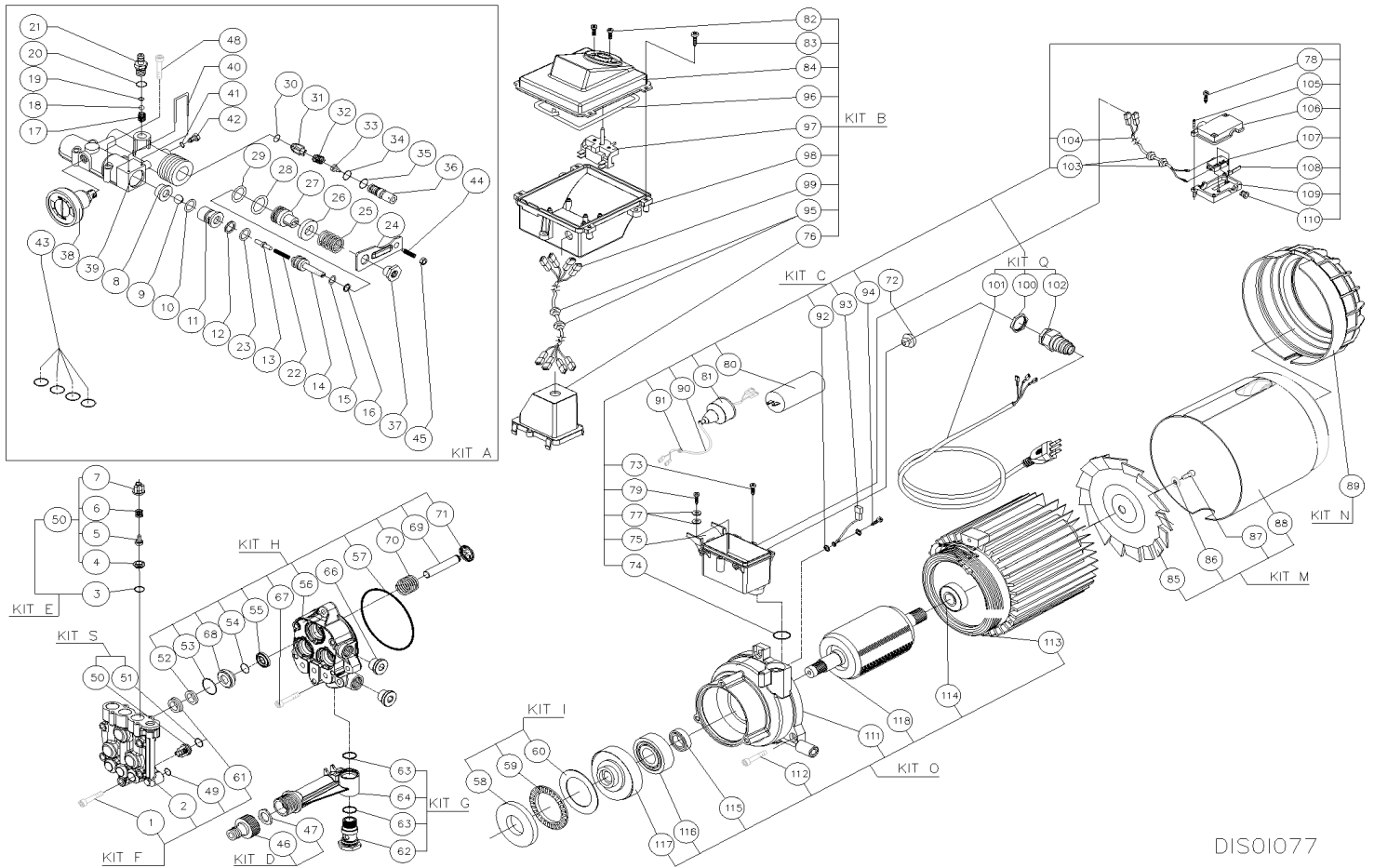
DIS01077

Ref.	K	Part N.	Customer Part N.	Description	Qty	Validity: From To	Price
0074	E	GUGO63500		O-RING D. 19 X 2 NBR 70SH	1,00		--
0075	E	MPVR90325		BASE-SUPPORT SC. EL. H112	1,00		--
0076	E	MPVR91924		BOX COVER "G"	1,00	11/2004	--
0077	E	VTRS63246		WASHER D. 5.3X10 ZN	2,00	02/2005	--
0078	E	VTVT63009		SCREW TRU TSP CR 3,5X16 ZN.S/P	1,00	11/2004	--
0079	E	VTVT67358		SCREW TCEI M5X20 AUTOM. TRIL.ZN	1,00		--
0080	E	MECO61715		CAPACITOR 40 MF D. 45X 95 FASTON	1,00	11/2004	--
0081	E	MPVR60388		COWLING PER CONDENSATORE	1,00	11/2004	--
0082	E	VTVT63046		SCREW TSPEI M4X12 ZC.	2,00	11/2004	--
0082	E	VTVT67356		SCREW M 4X 12 TCB TC TRIL.	2,00	02/2005	--
0083	E	VTVT62983		SCREW ATF TC CROCE M3,9X19 BRU	4,00	11/2004	--
0084	E	MPVR91919		BOX COVER "G160"	1,00	11/2004	--
0085	E	VEVR91813		IMPELLER A.700 D.140	1,00		--
0086	E	FSVR91814		RING VENT.MEC 100	1,00		--
0088	E	MPVR91812		CONVEYOR A400/H121	1,00		--
0090	E	MECV61787		CABLE BIPOLARE UL105° 2X18AWG	0,30	11/2004	--
0091	E	MPVR60518		FAIR-LEAD 15X7,5	1,00	11/2004	--
0092	E	VTRS63310		WASHER D. 4	2,00	02/2005	--
0093	E	MECB80079		CABLE 1X1.5 SG L=27	1,00	02/2005	--
0094	E	VTVT67356		SCREW M 4X 12 TCB TC TRIL.	1,00		--
0095	E	MEVR67433		FAIR-LEAD DR10/14/18-3	2,00	12/2004	--
0096	E	GUVR82555		JOINT D. 4	0,40	11/2004	--
0097	E	MECI61599		SWITCH AQUA 3022/31 A PL	1,00	11/2004	--
0098	E	MPVR91921		BUSHING SCAT.EL. SERIE "G"	1,00	11/2004	--
0099	E	MECB81327		CABLE H07 RNF 3X1.5 MT 5.5 S2	1,00		--
0099	E	MECB91925		CABLE H07RNF 4X1,5 L=450 mm	1,00		--
0100	E	MEVR61843		LOCKNUT PG 11	1,00	11/2004	--
0101	E	MECB81327		CABLE H07 RNF 3X1.5 MT 5.5 S2	1,00	11/2004	--
0102	E	MEVR40210		FAIR-LEAD D. 10 HMM	1,00	11/2004	--
0103	E	MPVR60518		FAIR-LEAD 15X7,5	2,00	11/2004	--
0104	E	MECB64268		CABLE T/S 2X1 L=300 2 FAST.L.	1,00		--
0104	E	MECB80079		CABLE 1X1.5 SG L=27	1,00		--
0105	E	VTVT07859		SCREW TCB-TC 3.5X13 UNI6954	3,00	11/2004	--
0106	E	MPVR82050		COVER T/S AQUA 400 S2	1,00	11/2004	--
0107	E	MECI80953		MICROSWITCH 20A 1CT UA831612RW2 UL	1,00	11/2004	--
0107	E	MECI90216		MICROSWITCH 20A 1CT XG0412-86	1,00		--
0108	E	LAFN41618		LAMINATION ONE JT.	1,00	11/2004	--
0108	E	LAFN41618		LAMINATION ONE JT.	1,00		--
0109	E	MPVR82051		BASE-SUPPORT T/S AQUA 400	1,00	11/2004	--



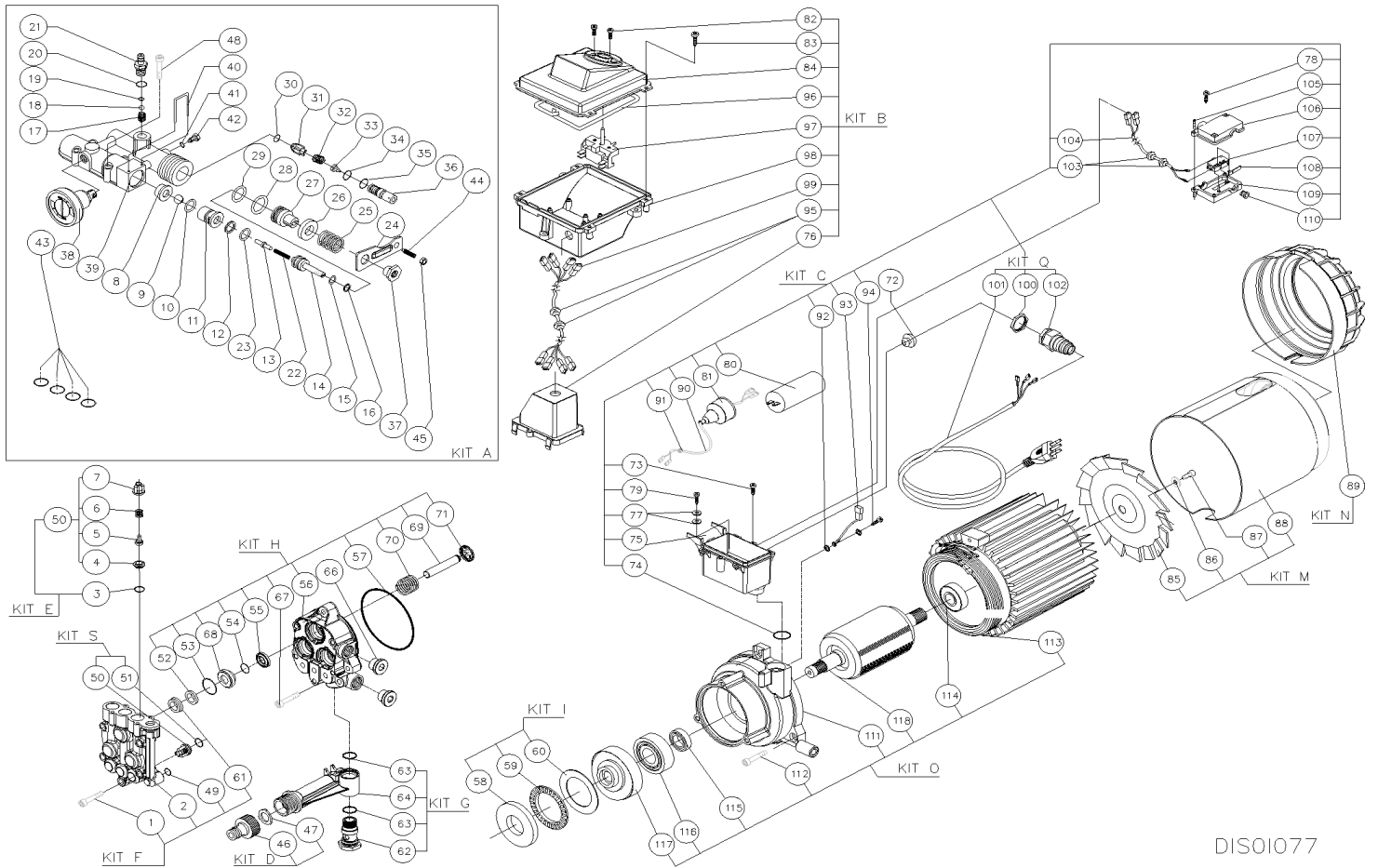
DIS01077

Ref.	K	Part N.	Customer Part N.	Description	Qty	Validity:		Price
						From	To	
0110	E	MPVR41620		PROTECTOR S.T-STOP FP	1,00	11/2004		--
0111	E	MFVR91807		SHIELD ANT. "G160"	1,00			--
0112	E	VTVT90541		SCREW TCEI M 6X20 ATF TRIL.	3,00	02/2004		--
0113	E	MOST92390		EL.MOT. STATOR CPL 128X67H120 230/50I	1,00	07/2004		--
0114	E	CUVR53295		BALL BEARING 6003 2Z ZKL	1,00			--
0115	E	PVVR63537		OIL SEAL 17X 28X 7-NBR HOBBY 90	1,00			--
0116	E	CUVR53307		BALL BEARING 7303 B	1,00			--
0117	E	PVVR40154		CAP H.90 9°	1,00	12/2004		--
0118	E	MORT91311		EL.MOT. ROTOR CPL 67X20H110	1,00			--



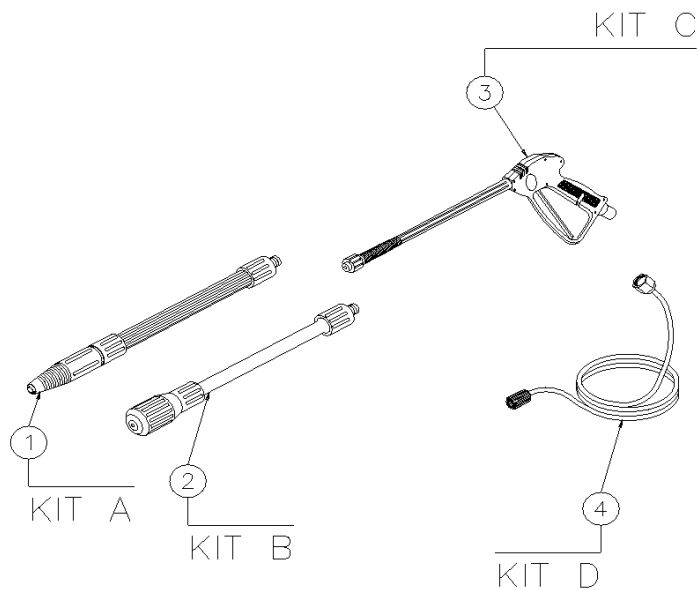
DIS01077

Ref. Part N.	Cust. Part N.	Description	Reference	Price
K 1	KTRI93434	SCREW KIT F 30-009 (50 PZ)	0001	--
K A	KTRI93549	MANIFOLD KIT F 14-016 G160X (5 PZ)	0008 0009 0010 0011 0012 0013 0014 0015 0016 0017 0018 0019 0020 0021 0022 0023 0024 0025 0026 0027 0028 0029 0030 0031 0032 0033 0034 0035 0036 0037 0038 0039 0040 0041 0042 0043 0044 0045 0048	--
K B	KTRI93529	CONTROL BOARD KIT F 37-044 G150X (2P)	0076 0082 0082 0083 0084 0095 0096 0097 0098 0099	--
K C	KTRI93530	CONTROL BOARD KIT F37-045 G160X INF.(2P)	0072 0073 0074 0075 0077 0078 0079 0080 0081 0090 0091 0092 0093 0094 0100 0101 0102 0103 0104 0105 0106 0107 0108 0109 0110	--
K D	KTRI82810	QUICK SOCKET KIT 560 (20 PZ)	0046 0047	--
K E	KTRI82808	SMALL VALVE KIT 558 (30 PZ)	0003 0004 0005 0006 0007 0050	--
K F	KTRI93405	HEAD KIT F 15-041 "G" OT (1PZ)	0001 0002 0049 0061	--
K G	KTRI93406	INTAKE CONNECT.KIT F 15-042 "G" (1 PZ)	0062 0063 0064	--
K H	KTRI93407	CRANKCASE F 15-043 "G150" (5PZ)	0052 0053 0054 0055 0056 0057 0066 0067 0068 0069 0070 0071	--
K I	KTRI82812	ROLLER BEAR.DISKIT 562 (10 PZ)	0058 0059 0060	--
K M	KTRI93544	CONVEYOR KIT F24-066 G160 (1PZ)	0085 0086 0088	--
K O	KTRI93545	MOTOR KIT F37-046 230/50 (1 PZ)	0111 0112 0113 0114 0115 0116 0117 0118	--
K Q	KTRI83741	CABLE KIT 742 F140 (1PZ)	0100 0101 0102	--
K S	KTRI83170	SMALL VALVE KIT 613 (30 PZ)	0050 0051	--
K 12	KTRI93273	ANTI-EXTR.RING KIT F 15-033 (50 PZ)	0012	--
K 15	KTRI93430	O-RING KIT F 15-044 (50 PZ)	0015	--
K 16	KTRI93431	O-RING KIT F 15-045 (50 PZ)	0016	--
K 23	KTRI93274	O-RING KIT F 15-034 (50 PZ)	0023	--
K 28	KTRI93279	O-RING KIT F 15-039 (50 PZ)	0028	--
K 29	KTRI93278	O-RING KIT F 15-038 (50 PZ)	0029	--
K 34	KTRI92772	O-RING KIT F 15-031 (50 PZ)	0034	--
K 38	KTRI93432	O-RING KIT F 9-001 (20 PZ)	0038	--
K 43	KTRI93277	O-RING KIT F 15-037 (50 PZ)	0043	--
K 48	KTRI93609	SCREW KIT F 30-015 (50 PZ)	0048	--
K 53	KTRI93275	O-RING KIT F 15-035 (50 PZ)	0053	--
K 54	KTRI93276	O-RING KIT F 15-036 (50 PZ)	0054	--
K 61	KTRI93433	O-RING KIT F 15-046 (60 PZ)	0061	--
K 66	KTRI84064	CAP KIT 869 OIL 3/8G (20 PZ)	0066	--
K 67	KTRI93436	SCREW KIT F 30-010 (50 PZ)	0067	--
K 73	KTRI92987	SCREW KIT F 30-006 (50 PZ)	0073	--
K 74	KTRI93001	O-RING KIT F 15-032 (50 PZ)	0074	--
K 79	KTRI82973	SCREW KIT 590 (50 p.z.)	0079	--
K 80	KTRI84068	CAPACITOR KIT 873 40 MF (10 PZ)	0080	--
K 92	KTRI84029	WASHER KIT 834 (50 PZ)	0092	--
K 94	KTRI84040	SCREW KIT 845 (50 PZ)	0094	--
K 96	KTRI93435	SHEATH+CORD KIT F 24-054 (10MT)	0096	--



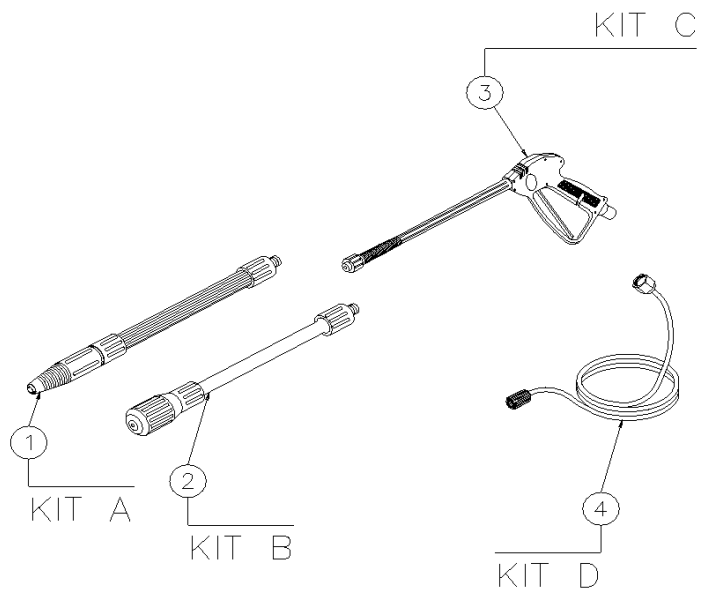
DIS01077

Ref. Part N.	Cust. Part N.	Description	Reference	Price
K110	KTRI92767	PROTECTOR KIT F 24-039 (50 PZ)	0110	--
K112	KTRI84025	SCREW KIT 830 (50 PZ)	0112	--



VARI0059

Ref.	K	Part N.	Customer Part N.	Description	Qty	Validity:		Price
						From	To	
0001	E	LCPR93174		LANCE T10-220B +SF230 D.1,25	1,00			--
0002	E	LCPR93175		LANCE TURBO TTR-16+SF230 D.1,30	1,00			--
0003	E	IPIP92478		GUN BIT-101 1/4M / M22X1,5	1,00			--



VARI0059

Ref. Part N.	Cust. Part N.	Description	Reference	Price
K A	KTRI93547	LANCE KIT F31-037 MRG 1,25(1PZ)	0001	--
K B	KTRI93546	HEAD KIT F31-036 LC TRB TTR16	0002	--
K C	KTRI93548	GUN F 26-015 BIT M22 (1 PZ)	0003	--