



IPC Integrated Professional Cleaning

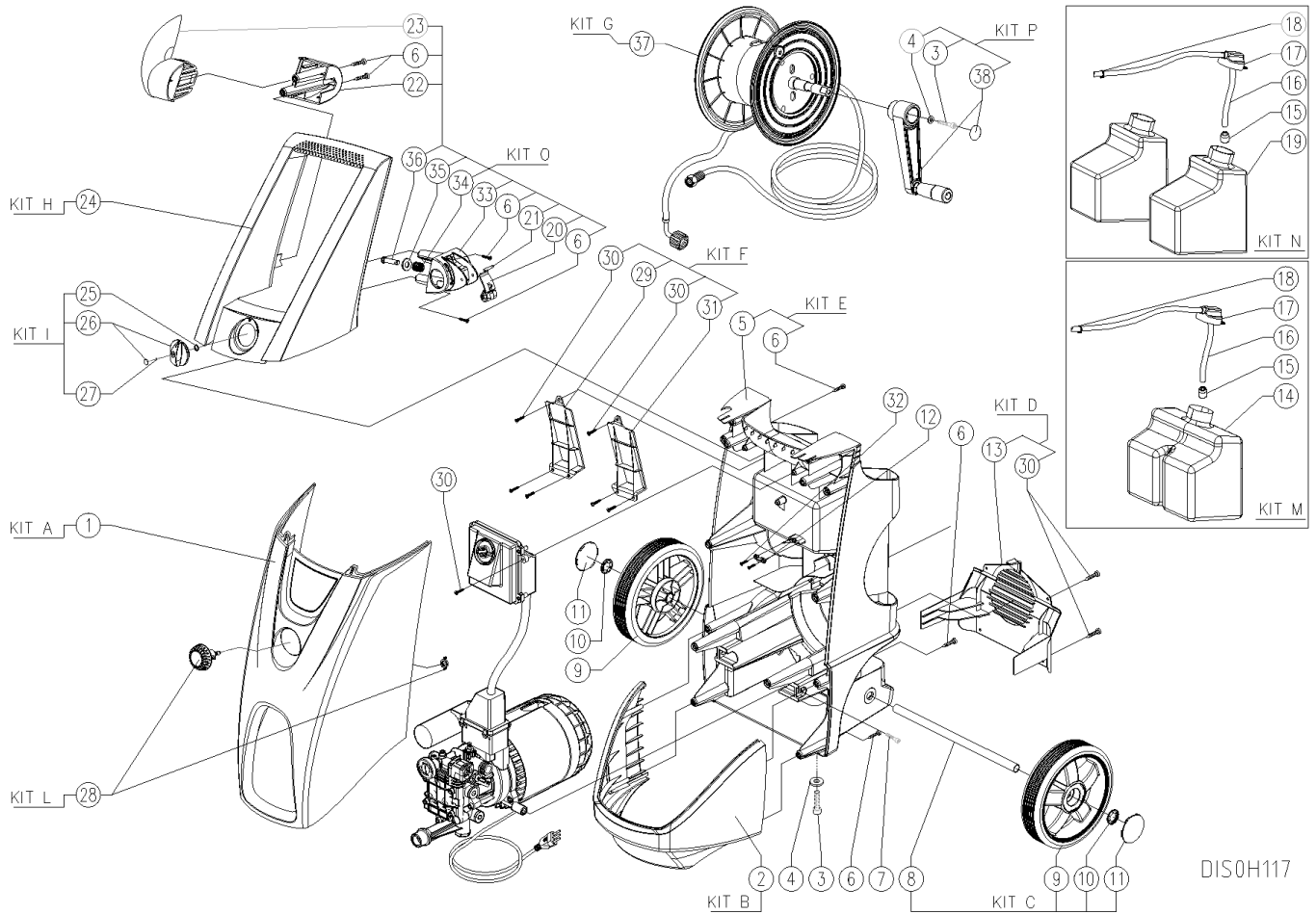
IPCPortotecnica

Spare Parts List

PORTOTECNICA

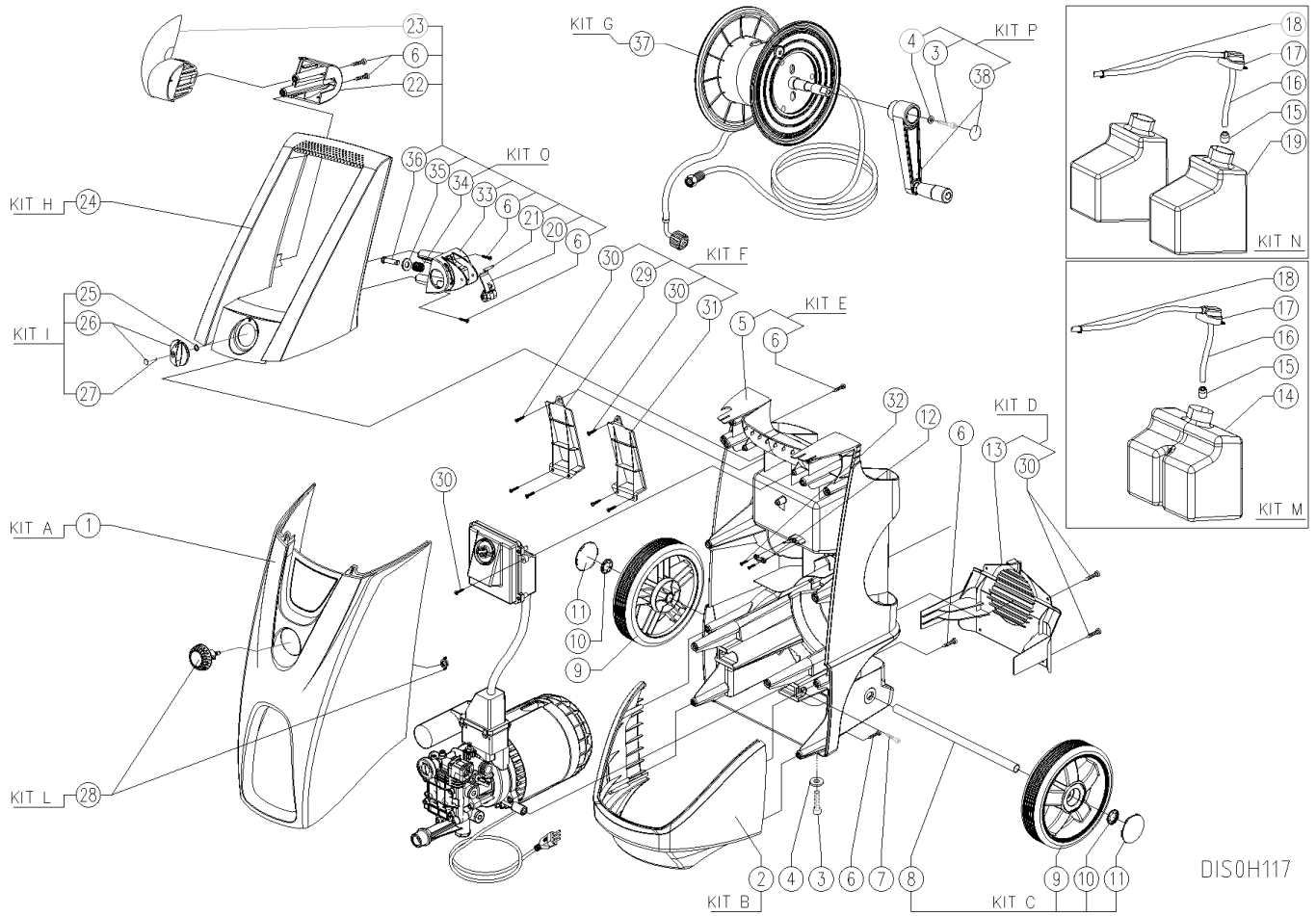
Ref: IDAF92062

Model: IDROP G150X OT 2T DS M 230/50 3-01PRT



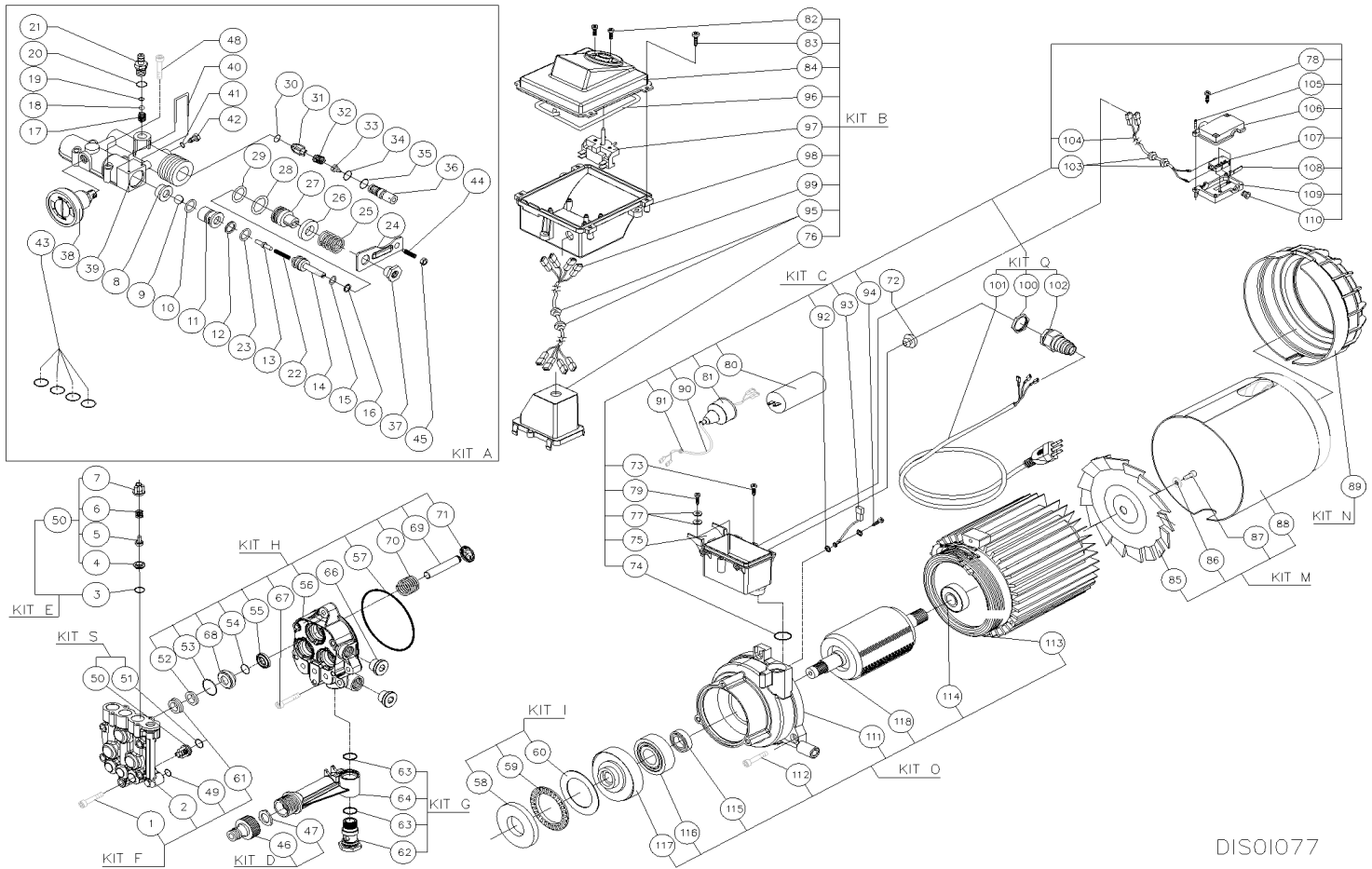
DIS0H117

| Ref. | K | Part N. | Customer Part N. | Description | Qty | Validity: | | Price |
|------|---|-----------|------------------|----------------------------------|-------|-----------|----|-------|
| | | | | | | From | To | |
| 0001 | E | MPVR92126 | | RED COVER "SERIE G" IPC | 1,00 | | | -- |
| 0002 | E | MPVR92120 | | BAND ANT. "SERIE G" | 1,00 | | | -- |
| 0003 | E | VTVT01573 | | SCREW TCEI 8X25 UNI5931 | 2,00 | | | -- |
| 0004 | E | VTRS00512 | | WASHER D. 8 X24 ZC. | 1,00 | | | -- |
| 0005 | E | MPVR92122 | | FRAME "SERIE G" | 1,00 | | | -- |
| 0006 | E | VTVT80745 | | SCREW TCB-TC 5 X25 | 18,00 | | | -- |
| 0007 | E | VTVT01573 | | SCREW TCEI 8X25 UNI5931 | 2,00 | | | -- |
| 0008 | E | LAFN92146 | | WHEELS AXLE H 121 | 1,00 | | | -- |
| 0009 | E | RTRT91967 | | WHEEL D.200 "SERIE G" GRIGIA | 2,00 | | | -- |
| 0010 | E | VTRS60945 | | WASHER D.15 | 2,00 | | | -- |
| 0011 | E | MPVR91970 | | GREY HUB CAP "SERIE G" | 2,00 | | | -- |
| 0012 | E | MPVR60495 | | CLAMP HOBBY | 1,00 | | | -- |
| 0013 | E | MPVR92355 | | BAND POST. "SERIE G" | 1,00 | | | -- |
| 0015 | E | MPVR60422 | | SUCTION FILTER DETERG.HOBBY 90 | 2,00 | | | -- |
| 0016 | E | TBBP93800 | | L.P. HOSE D. 6- 9 | 1,25 | | | -- |
| 0017 | E | MPVR91923 | | TANK CAP "G160" | 2,00 | | | -- |
| 0018 | E | FSVR72803 | | CLAMP D 9.3 - 9.9 | 3,00 | | | -- |
| 0019 | E | MPVR92131 | | DETERGENT TANK "SERIE G" LT 1,5 | 2,00 | | | -- |
| 0020 | E | MPVR92108 | | ECCENTRIC CAM AVTB "G" | 1,00 | | | -- |
| 0021 | E | VTVR92465 | | PLUG D. 4X20 UNI 1707 INX | 1,00 | | | -- |
| 0022 | E | MPVR92112 | | HOSE WIND.SUPP."SERIE G" DX | 1,00 | | | -- |
| 0023 | E | MPVR92116 | | HOOK "SERIE G" DX | 1,00 | | | -- |
| 0024 | E | MPVR92477 | | HANDLE "SERIE G" | 1,00 | | | -- |
| 0025 | E | GUGO01060 | | O-RING D. 9.92 X 2.62 NBR 70SH | 1,00 | | | -- |
| 0026 | E | MPVR91917 | | SWITCH KNOB SERIE "G" | 1,00 | | | -- |
| 0027 | E | VTVT92473 | | SCREW TCB-TC 2,5X12 ZINC | 1,00 | | | -- |
| 0028 | E | RCGR93688 | | TAP "G" TAMP. 1T | 1,00 | | | -- |
| 0029 | E | MPVR93244 | | PLATE TELAIO "SERIE G" DX | 1,00 | | | -- |
| 0030 | E | VTVT67350 | | SCREW TCB TC 5X20 Z.N. UNI9707 | 13,00 | | | -- |
| 0031 | E | MPVR93245 | | PLATE TELAIO "SERIE G" SX | 1,00 | | | -- |
| 0032 | E | VTVT62978 | | SCREW TCB TC 4,8X16 ZC | 2,00 | | | -- |
| 0033 | E | MPVR92118 | | HOSE WIND.SUPP."SERIE G" SX | 1,00 | | | -- |
| 0034 | E | MLML92466 | | SPRING SPINTA CAMMA BLOC. "G" | 1,00 | | | -- |
| 0035 | E | LAFN40163 | | SPACER B.PASS 12 | 1,00 | | | -- |
| 0036 | E | RCDS92467 | | PIN AVVOLGITUBO H120 | 1,00 | | | -- |
| 0037 | E | AVTB92665 | | HOSE REEL ASS. "G160" +TES 12 | 1,00 | | | -- |
| 0038 | E | MPVR92147 | | HANDLE AVV/TUB"SERIE F"138-60 M8 | 1,00 | | | -- |



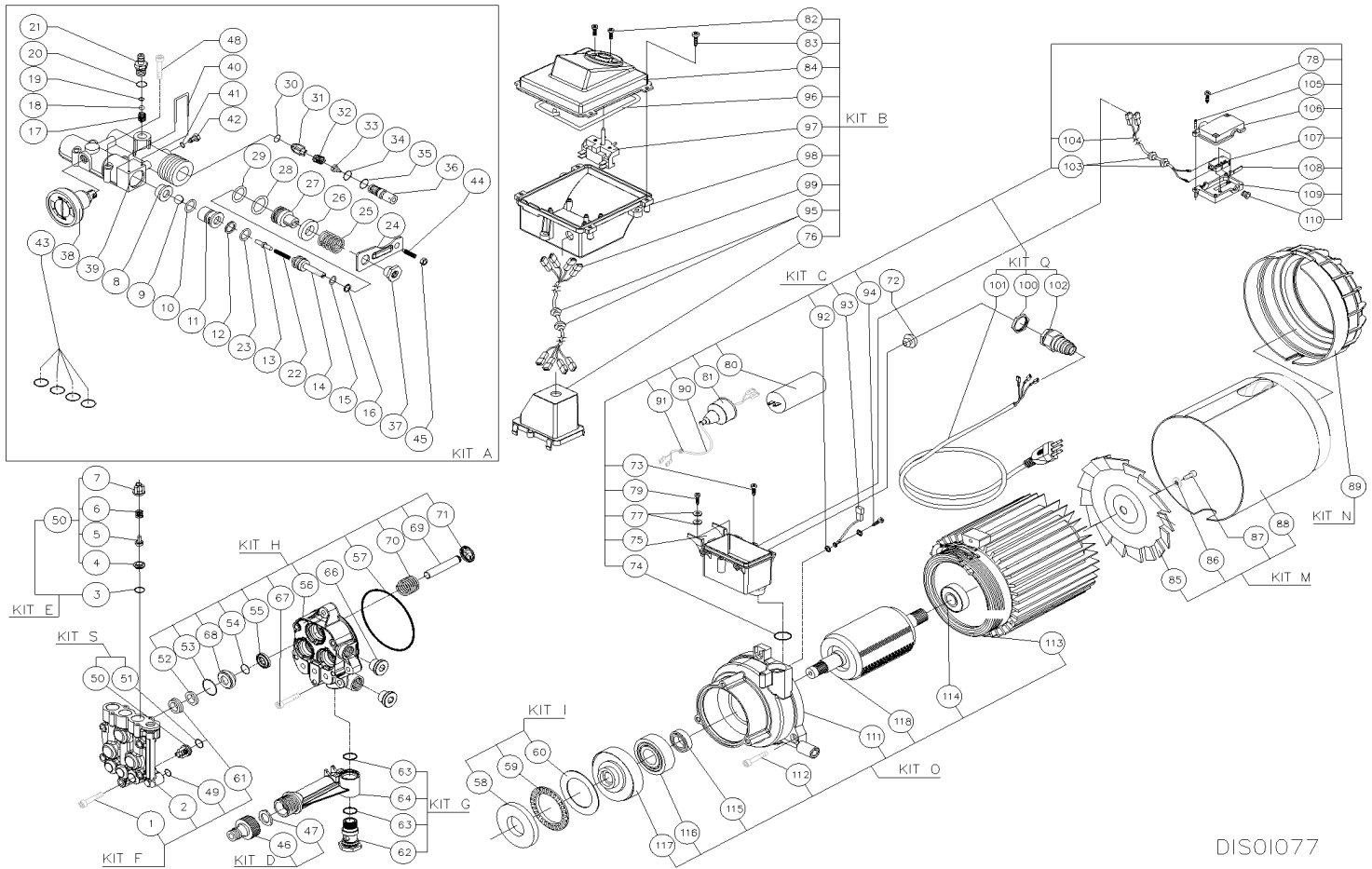
DIS0H117

| Ref. Part N. | Cust. Part N. | Description | Reference | Price |
|--------------|---------------|--|--|-------|
| K 4 | KTRI93512 | SCREW KIT F 30-011 (50 PZ) | 0004 | -- |
| K 6 | KTRI92987 | SCREW KIT F 30-006 (50 PZ) | 0006 | -- |
| K 7 | KTRI93513 | SCREW KIT F 30-012 (50 PZ) | 0007 | -- |
| K A | KTRI93635 | RED COVER KIT F24-074 "G" (3 PZ) | 0001 | -- |
| K B | KTRI93502 | BAND KIT F24-056 ANT. "G" (5P) | 0002 0006 | -- |
| K C | KTRI93503 | WHEEL KIT F1-004 AQK-PRO (2P) | 0008 0009 0010 0011 | -- |
| K D | KTRI93504 | COOLING GRILL KIT F24-057 "G" (10 PZ) | 0013 0030 | -- |
| K E | KTRI93505 | FRAME KIT F24-058 "SERIE G"(1) | 0005 0006 | -- |
| K F | KTRI93506 | PLATE KIT F24-059 "G"DX/SX (10P) | 0029 0030 0031 | -- |
| K G | KTRI93672 | HOSE REEL KIT F35-003 "G150"+TE 12M | 0037 | -- |
| K H | KTRI93623 | HANDLE KIT F 24-071 "SERIE G" 3P | 0024 | -- |
| K I | KTRI93509 | RED KNOB KIT F04-001 INT."G" (20P) | 0025 0026 0027 | -- |
| K L | KTRI93524 | TAP KIT F6-006 "G" 2T (10PZ) | 0028 | -- |
| K N | KTRI93525 | DETERGENT TANK KIT F6-007 "G" 1,5LT(2PZ) | 0014 0015 0016 0017 0018 0019 | -- |
| K O | KTRI93522 | HOOK KIT F24-063 "PRO150X"(1PZ) | 0006 0020 0021 0022 0023 0033 0034 0035 0036 | -- |
| K P | KTRI93527 | HANDLE KIT F24-065 AVTB "G"(1PZ) | 0003 0004 0038 | -- |
| K 12 | KTRI84071 | CLAMP KIT 876 (20 PZ) | 0012 | -- |
| K 30 | KTRI93514 | SCREW KIT F 30-013 (50 PZ) | 0030 | -- |
| K 32 | KTRI84030 | SCREW KIT 835 (50 PZ) | 0032 | -- |



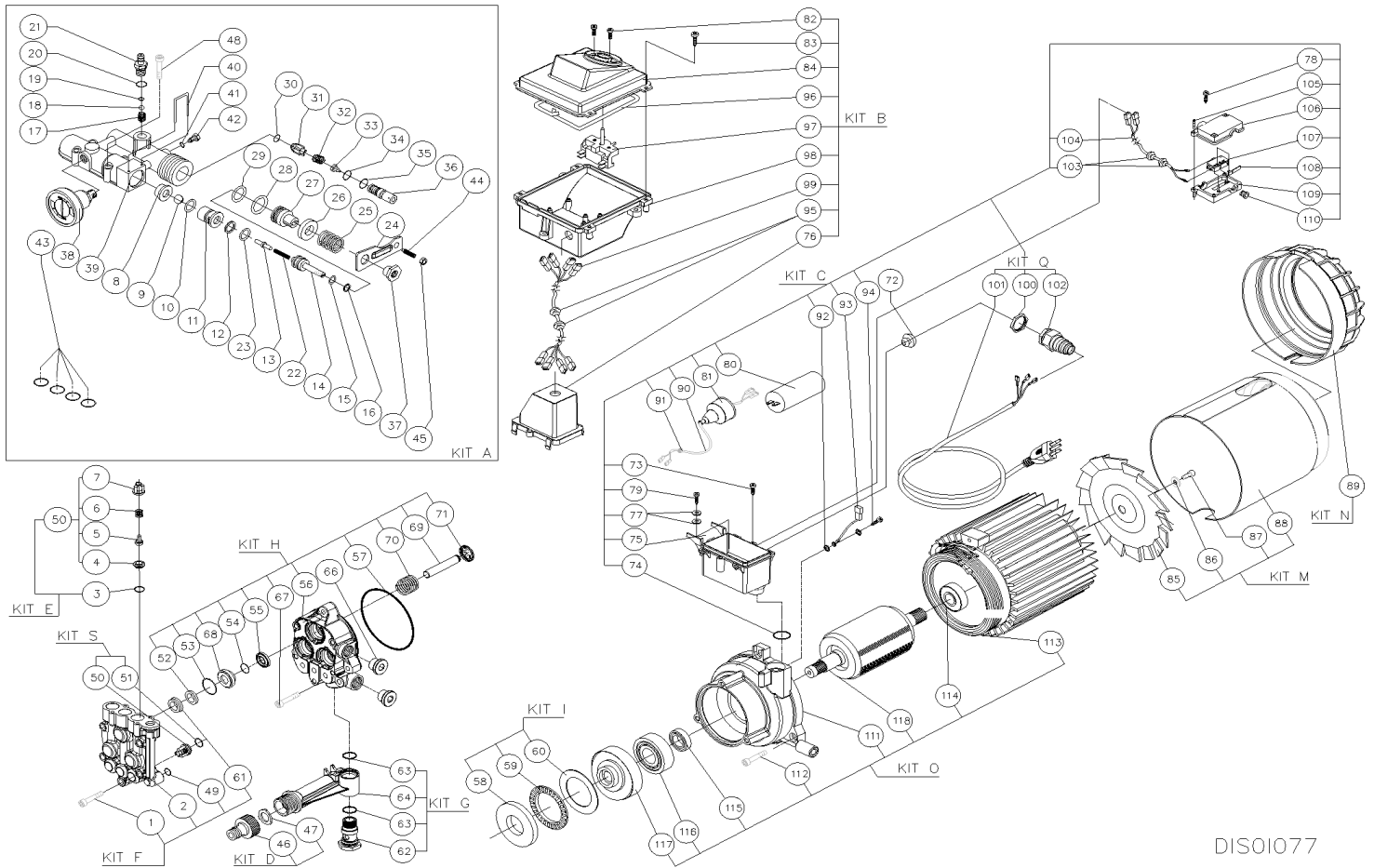
DIS01077

| Ref. | K | Part N. | Customer Part N. | Description | Qty | Validity: From | To | Price |
|------|---|-----------|------------------|------------------------------------|------|----------------|----|-------|
| 0001 | E | VTVT91360 | | SCREW TCEI M 7X35 32000 N ZN.G. | 5,00 | 11/2004 | | -- |
| 0002 | E | MFVR92151 | | HEAD HBY 5VT OT S/R M7 | 1,00 | 11/2004 | | -- |
| 0003 | E | GUGO21841 | | O-RING D. 12.42 X 1.78 NBR 90SH | 3,00 | 11/2004 | | -- |
| 0004 | E | PVVR40191 | | VALVE SEAT "TH" | 1,00 | 11/2004 | | -- |
| 0005 | E | PVVR40190 | | CAP A.700 INX | 1,00 | 11/2004 | | -- |
| 0006 | E | MLML40189 | | SPRING D. 5.5 "TH" | 1,00 | 11/2004 | | -- |
| 0007 | E | PVVR40188 | | VALVE GUIDE "TH" | 1,00 | 11/2004 | | -- |
| 0008 | E | PVVR40167 | | CAP B12 | 1,00 | | | -- |
| 0009 | E | SFVR53318 | | BALL D. 7 AISI 420 | 1,00 | | | -- |
| 0010 | E | GUGO03496 | | O-RING D. 9.25 X 1.78 NBR 70SH | 1,00 | | | -- |
| 0011 | E | PVVR81275 | | VALVE SEAT D. 5.6 B POL. | 1,00 | | | -- |
| 0012 | E | GUVR63570 | | ANTI-EXTR.RING D. 9 X12 X1.5 OR108 | 1,00 | | | -- |
| 0013 | E | PVVR40165 | | CONTROL PISTON E.START | 1,00 | | | -- |
| 0014 | E | PVVR92410 | | SMALL PISTON E.START LG. ALL. | 1,00 | | | -- |
| 0015 | E | GUGO12489 | | O-RING D. 6.07 X 1.78 NBR 70SH | 2,00 | 01/2005 | | -- |
| 0016 | E | GUVR40170 | | ANTI-EXTR.RING D. 6 X 9 | 1,00 | | | -- |
| 0017 | E | MLML40172 | | SPRING D. 3.5 h=12 | 1,00 | | | -- |
| 0018 | E | SFVR40173 | | BALL D. 3/16" AISI 420 | 1,00 | | | -- |
| 0019 | E | GUGO01062 | | O-RING D. 3.69 X 1.78 NBR 70SH | 1,00 | | | -- |
| 0020 | E | GUGO06988 | | O-RING D. 7.66 X 1.78 NBR 70SH | 1,00 | | | -- |
| 0021 | E | RCDS92412 | | CONNECTOR ASP.DETERG.- H110 ALL | 1,00 | | | -- |
| 0022 | E | MLML40169 | | SPRING E.START | 1,00 | | | -- |
| 0023 | E | GUGO63403 | | O-RING D. 8.73 X 1.78 NBR 70SH | 1,00 | 11/2004 | | -- |
| 0024 | E | LAFN41612 | | PLATE SIST.T-STOP A/400 | 1,00 | | | -- |
| 0025 | E | MLML67104 | | SPRING 130 BAR D. 3.4 | 1,00 | | | -- |
| 0026 | E | LAFN58903 | | SPACER D.12 BY-PASS | 1,00 | | | -- |
| 0027 | E | PVVR92408 | | VALVE BODY BY-PASS B ALL. | 1,00 | | | -- |
| 0028 | E | GUGO09720 | | O-RING D. 14 X 1.78 NBR 70SH | 1,00 | 01/2005 | | -- |
| 0029 | E | GUGO11652 | | O-RING D. 12.42 X 1.78 NBR 70SH | 1,00 | 01/2005 | | -- |
| 0030 | E | GUGO93633 | | O-RING D. 5 X 2 NBR 90SH | 1,00 | | | -- |
| 0031 | E | VVSF40182 | | VALVE H90 PLS | 1,00 | | | -- |
| 0032 | E | MLML59254 | | SPRING D. 9.2 X10X0.8 AISI 302 | 1,00 | | | -- |
| 0033 | E | UGEI40178 | | NOZZLE D. 1.8 HOBBY | 1,00 | | | -- |
| 0034 | E | GUGO40179 | | O-RING D. 8 X 2 NBR 70SH | 1,00 | | | -- |
| 0035 | E | GUGO03496 | | O-RING D. 9.25 X 1.78 NBR 70SH | 1,00 | | | -- |
| 0036 | E | MPVR81152 | | NIPPLE H90 S3 | 1,00 | | | -- |
| 0037 | E | VTDD92738 | | NUT E.START ALL. | 1,00 | | | -- |
| 0038 | E | MNMN91833 | | PRESSURE GAUGE D.40 MIN-MAX R1/8" | 1,00 | 02/2005 | | -- |
| 0039 | E | MFVR57881 | | MANIFOLD H94AL ML 15 FUS | 1,00 | | | -- |



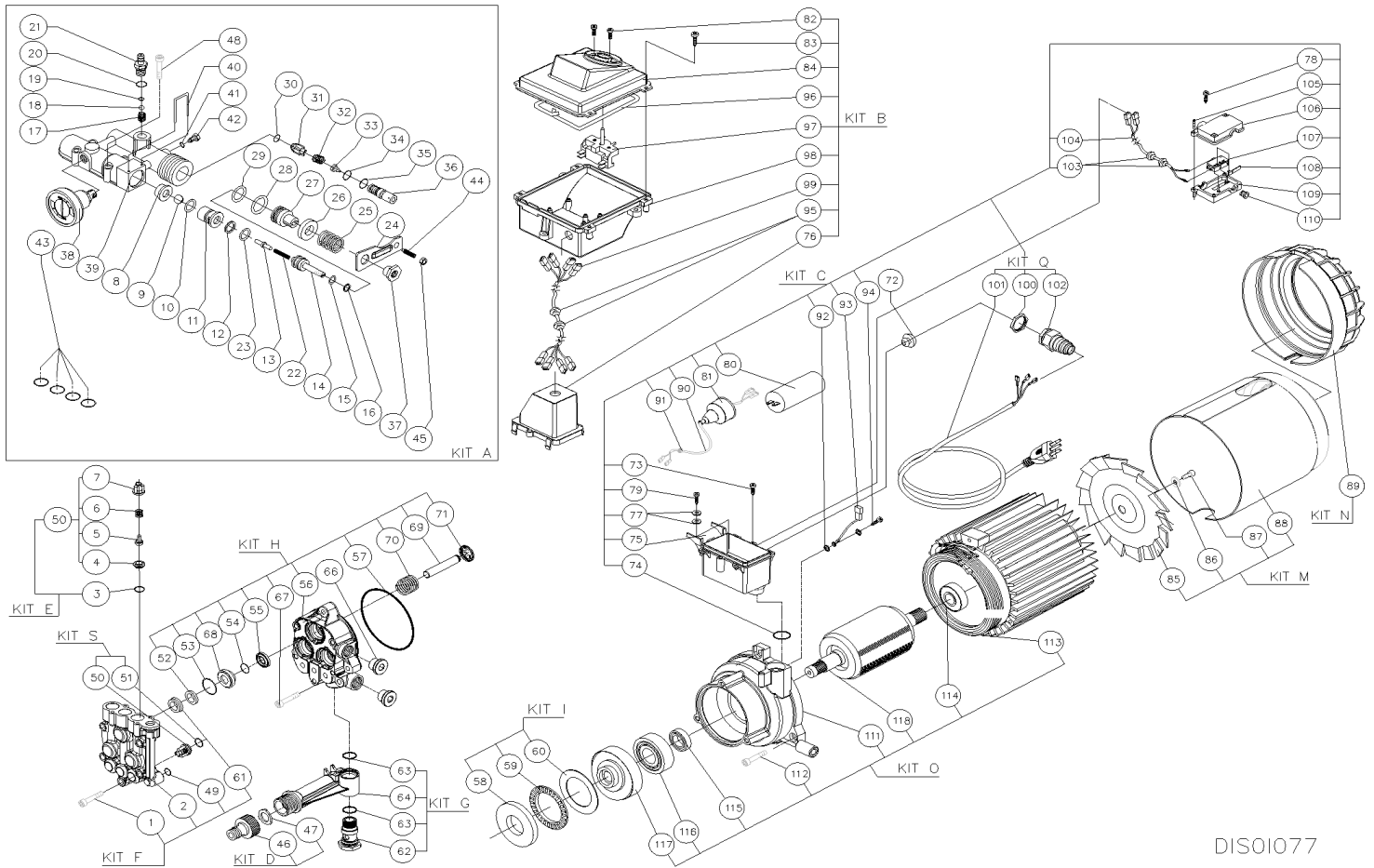
DIS01077

| Ref. | K | Part N. | Customer Part N. | Description | Qty | Validity: From To | Price |
|------|---|-----------|------------------|-------------------------------------|------|----------------------|-------|
| 0040 | E | LAFN82147 | | PLUG ARR.CART BY-PASS BUR S2 | 1,00 | | -- |
| 0041 | E | GUGO63486 | | O-RING D. 4 X 2 -NBR 90SH | 1,00 | | -- |
| 0042 | E | PVVR92733 | | SCREW RIT.NIPPLO HOBBY90 ALL. | 1,00 | | -- |
| 0043 | E | GUGO40193 | | O-RING D. 15 X 2 NBR 70SH | 4,00 | 11/2004 | -- |
| 0044 | E | VTVT80892 | | SCREW M 5X 30 UNI 5925 | 1,00 | 02/2005 | -- |
| 0045 | E | VTDD01678 | | NUT M 5 UNI 5588 | 1,00 | | -- |
| 0046 | E | FTAC92422 | | WATER FILTER ASS. MTPV2000 | 1,00 | 11/2004 | -- |
| 0047 | E | RCVR90242 | | SOCKET 3433 BK. | 1,00 | 07/2003 | -- |
| 0048 | E | VTVT91362 | | SCREW TCEI M 5X30 12.9 ZN.G. | 4,00 | 11/2004 | -- |
| 0049 | E | GUGO63403 | | O-RING D. 8.73 X 1.78 NBR 70SH | 1,00 | | -- |
| 0050 | E | VVAM41610 | | VALVE UNIT F 140/150 IP | 6,00 | 11/2004 | -- |
| 0051 | E | GUGO40192 | | O-RING D. 12 X 2 NBR 90SH | 3,00 | 11/2004 | -- |
| 0052 | E | PVVR81773 | | HEAD RING 14X22X1.5 | 3,00 | 11/2004 | -- |
| 0053 | E | GUGO19290 | | O-RING D. 23.52 X 1.78 NBR 70SH | 3,00 | 11/2004 | -- |
| 0054 | E | GUGO19194 | | O-RING D. 11.11 X 1.78 NBR 70SH | 3,00 | | -- |
| 0055 | E | GUGO83400 | | OIL SEAL 14X 22X 5/7 | 3,00 | | -- |
| 0056 | E | MFVR91823 | | CRANKCASE RNF 14CT H3 PF3/8G SS 3/8 | 1,00 | | -- |
| 0057 | E | GUGO40199 | | O-RING D. 80.60 X 2.62 NBR 70SH | 1,00 | | -- |
| 0058 | E | CUVR91911 | | THRUST BLOCK D. 27X60 H6 | 1,00 | 12/2004 | -- |
| 0059 | E | CUVR92973 | | ROLLER BEARING AXK 4060 | 1,00 | | -- |
| 0060 | E | CUVR91911 | | THRUST BLOCK D. 27X60 H6 | 1,00 | | -- |
| 0061 | E | GUVR40194 | | PACKING D. 14 W214 | 3,00 | 11/2004 | -- |
| 0062 | E | MPVR91829 | | SCREW 3/8 RACC. ASP. G160 | 1,00 | | -- |
| 0063 | E | GUGO24913 | | O-RING D. 17.17 X 1.78 NBR 90SH | 2,00 | | -- |
| 0064 | E | MPVR91828 | | INTAKE CONNECT.G160 | 1,00 | | -- |
| 0066 | E | RCVR67288 | | OIL CAP 3/8+G TCNB-38 | 2,00 | | -- |
| 0067 | E | VTVT91361 | | SCREW TCEI M 6X30 22000 N ZN.G. | 3,00 | 11/2004 | -- |
| 0068 | E | PVVR92721 | | PACKING RETAIN.D. 14 H.90 S2 ALL. | 3,00 | 01/2005 | -- |
| 0069 | E | PIVR90981 | | PISTON D. 14X 63 HBV 90SP. | 3,00 | | -- |
| 0070 | E | MLML59285 | | SPRING 5 SP | 3,00 | 10/1999 | -- |
| 0071 | E | PVVR40201 | | SPRING PLATE H.90 | 3,00 | | -- |
| 0072 | E | MEVR90388 | | FAIR-LEAD GOMMA 9/14/18-3 | 1,00 | 11/2004 | -- |
| 0073 | E | VTVT80745 | | SCREW TCB-TC 5 X25 | 2,00 | | -- |
| 0074 | E | GUGO63500 | | O-RING D. 19 X 2 NBR 70SH | 1,00 | | -- |
| 0075 | E | MPVR90325 | | BASE-SUPPORT SC. EL. H112 | 1,00 | 11/2004 | -- |
| 0076 | E | MPVR91924 | | BOX COVER "G" | 1,00 | 11/2004 | -- |
| 0077 | E | VTRS63246 | | WASHER D. 5.3X10 ZN | 2,00 | 02/2005 | -- |
| 0078 | E | VTVT63009 | | SCREW TRU TSP CR 3,5X16 ZN.S/P | 1,00 | 11/2004 | -- |
| 0079 | E | VTVT67358 | | SCREW TCEI M5X20 AUTOM. TRIL.ZN | 1,00 | | -- |



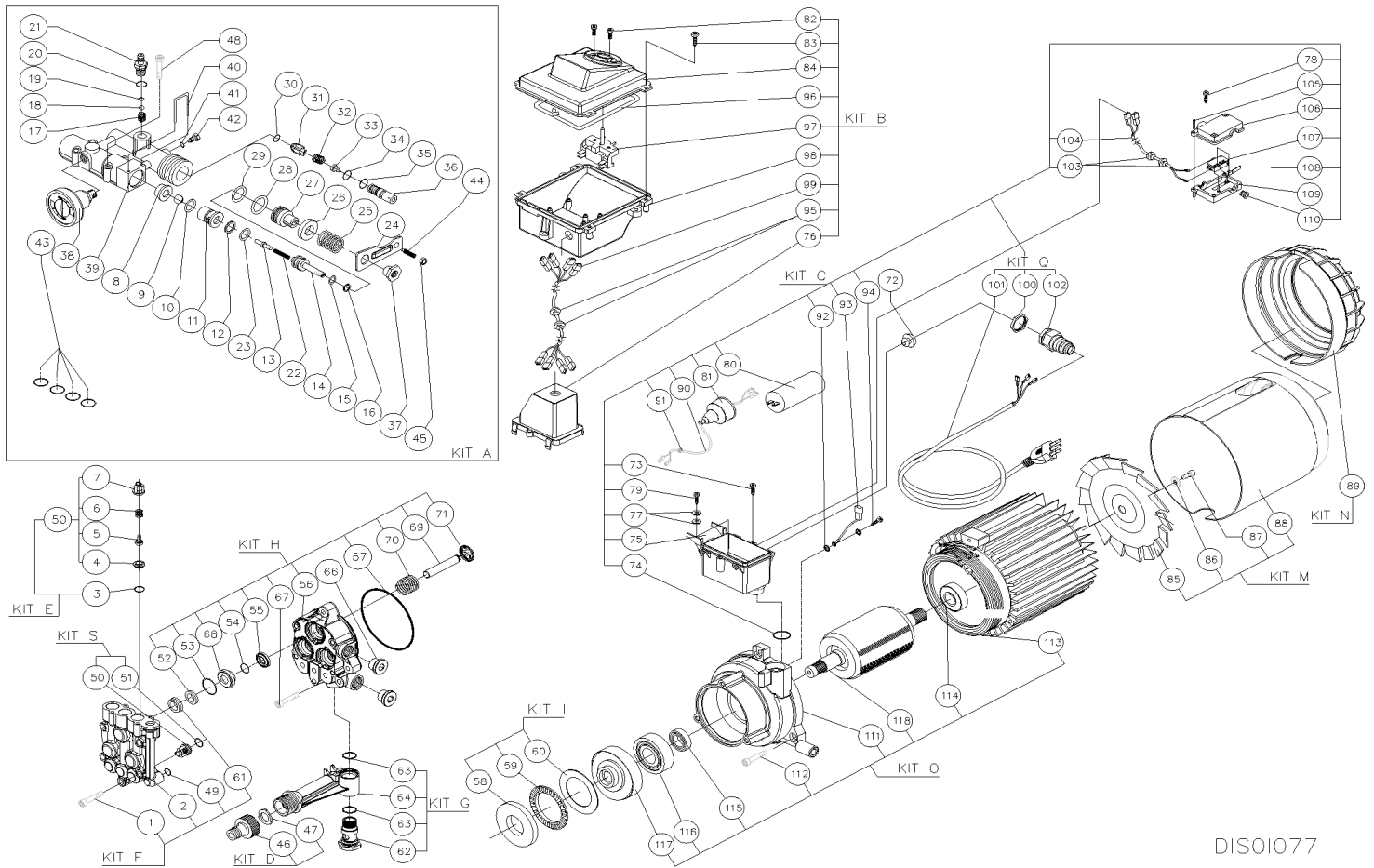
DIS01077

| Ref. | K | Part N. | Customer Part N. | Description | Qty | Validity: | | Price |
|------|---|-----------|------------------|---------------------------------------|------|-----------|----|-------|
| | | | | | | From | To | |
| 0080 | E | MECO61715 | | CAPACITOR 40 MF D. 45X 95 FASTON | 1,00 | 11/2004 | -- | |
| 0081 | E | MPVR60388 | | COWLING PER CONDENSATORE | 1,00 | 11/2004 | -- | |
| 0082 | E | VTVT63046 | | SCREW TSPEI M4X12 ZC. | 2,00 | 11/2004 | -- | |
| 0083 | E | VTVT62983 | | SCREW ATF TC CROCE M3,9X19 BRU | 4,00 | 11/2004 | -- | |
| 0084 | E | MPVR91919 | | BOX COVER "G160" | 1,00 | 11/2004 | -- | |
| 0085 | E | VEVR40161 | | IMPELLER A.700 D.140 | 1,00 | -- | -- | |
| 0086 | E | VTRS63276 | | WASHER D. 5 UNI 8836 EL. | 2,00 | -- | -- | |
| 0087 | E | VTVT63023 | | SCREW TCEI M 5X12 ZC | 1,00 | -- | -- | |
| 0088 | E | MPVR84088 | | CONVEYOR A400/H121 | 1,00 | -- | -- | |
| 0089 | E | MPVR92110 | | SPACER MOT.MEC80 G150 | 1,00 | -- | -- | |
| 0090 | E | MECV61787 | | CABLE BIPOLARE UL105° 2X18AWG | 0,30 | 11/2004 | -- | |
| 0091 | E | MPVR60518 | | FAIR-LEAD 15X7,5 | 1,00 | 11/2004 | -- | |
| 0092 | E | VTRS63310 | | WASHER D. 4 | 2,00 | 02/2005 | -- | |
| 0093 | E | MECB80079 | | CABLE 1X1.5 SG L=27 | 1,00 | 02/2005 | -- | |
| 0094 | E | VTVT67356 | | SCREW M 4X 12 TCB TC TRIL. | 1,00 | 02/2005 | -- | |
| 0095 | E | MEVR67433 | | FAIR-LEAD DR10/14/18-3 | 2,00 | 12/2004 | -- | |
| 0096 | E | GUVR82555 | | JOINT D. 4 | 0,40 | 11/2004 | -- | |
| 0097 | E | MECI61599 | | SWITCH AQUA 3022/31 A PL | 1,00 | 11/2004 | -- | |
| 0098 | E | MPVR91921 | | BUSHING SCAT.EL. SERIE "G" | 1,00 | 11/2004 | -- | |
| 0099 | E | MECB81327 | | CABLE H07 RNF 3X1.5 MT 5.5 S2 | 1,00 | -- | -- | |
| 0100 | E | MEVR61843 | | LOCKNUT PG 11 | 1,00 | 11/2004 | -- | |
| 0101 | E | MECB81327 | | CABLE H07 RNF 3X1.5 MT 5.5 S2 | 1,00 | 11/2004 | -- | |
| 0102 | E | MEVR40210 | | FAIR-LEAD D. 10 HMM | 1,00 | 11/2004 | -- | |
| 0103 | E | MPVR60518 | | FAIR-LEAD 15X7,5 | 2,00 | 11/2004 | -- | |
| 0104 | E | MECB80079 | | CABLE 1X1.5 SG L=27 | 1,00 | -- | -- | |
| 0105 | E | VTVT07859 | | SCREW TCB-TC 3.5X13 UNI6954 | 3,00 | 11/2004 | -- | |
| 0106 | E | MPVR82050 | | COVER T/S AQUA 400 S2 | 1,00 | 11/2004 | -- | |
| 0107 | E | MECI90216 | | MICROSWITCH 20A 1CT XG0412-86 | 1,00 | -- | -- | |
| 0108 | E | LAFN41618 | | LAMINATION ONE JT. | 1,00 | 11/2004 | -- | |
| 0109 | E | MPVR82051 | | BASE-SUPPORT T/S AQUA 400 | 1,00 | 11/2004 | -- | |
| 0110 | E | MPVR41620 | | PROTECTOR S.T-STOP FP | 1,00 | 11/2004 | -- | |
| 0111 | E | MFVR91808 | | SHIELD ANT. "G160" | 1,00 | -- | -- | |
| 0112 | E | VTVT90541 | | SCREW TCEI M 6X20 ATF TRIL. | 3,00 | -- | -- | |
| 0113 | E | MOST84203 | | EL.MOT. STATOR 125X65H110 230/50CF M6 | 1,00 | -- | -- | |
| 0114 | E | CUVR53295 | | BALL BEARING 6003 2Z ZKL | 1,00 | -- | -- | |
| 0115 | E | PVVR63537 | | OIL SEAL 17X 28X 7-NBR HOBBY 90 | 1,00 | -- | -- | |
| 0116 | E | CUVR53307 | | BALL BEARING 7303 B | 1,00 | -- | -- | |
| 0117 | E | MFVR58080 | | CAP 8° 30" HOBBY 90 | 1,00 | -- | -- | |
| 0118 | E | MORT91939 | | EL.MOT. ROTOR CPL 65X 20 H110 G6 | 1,00 | 10/2004 | -- | |



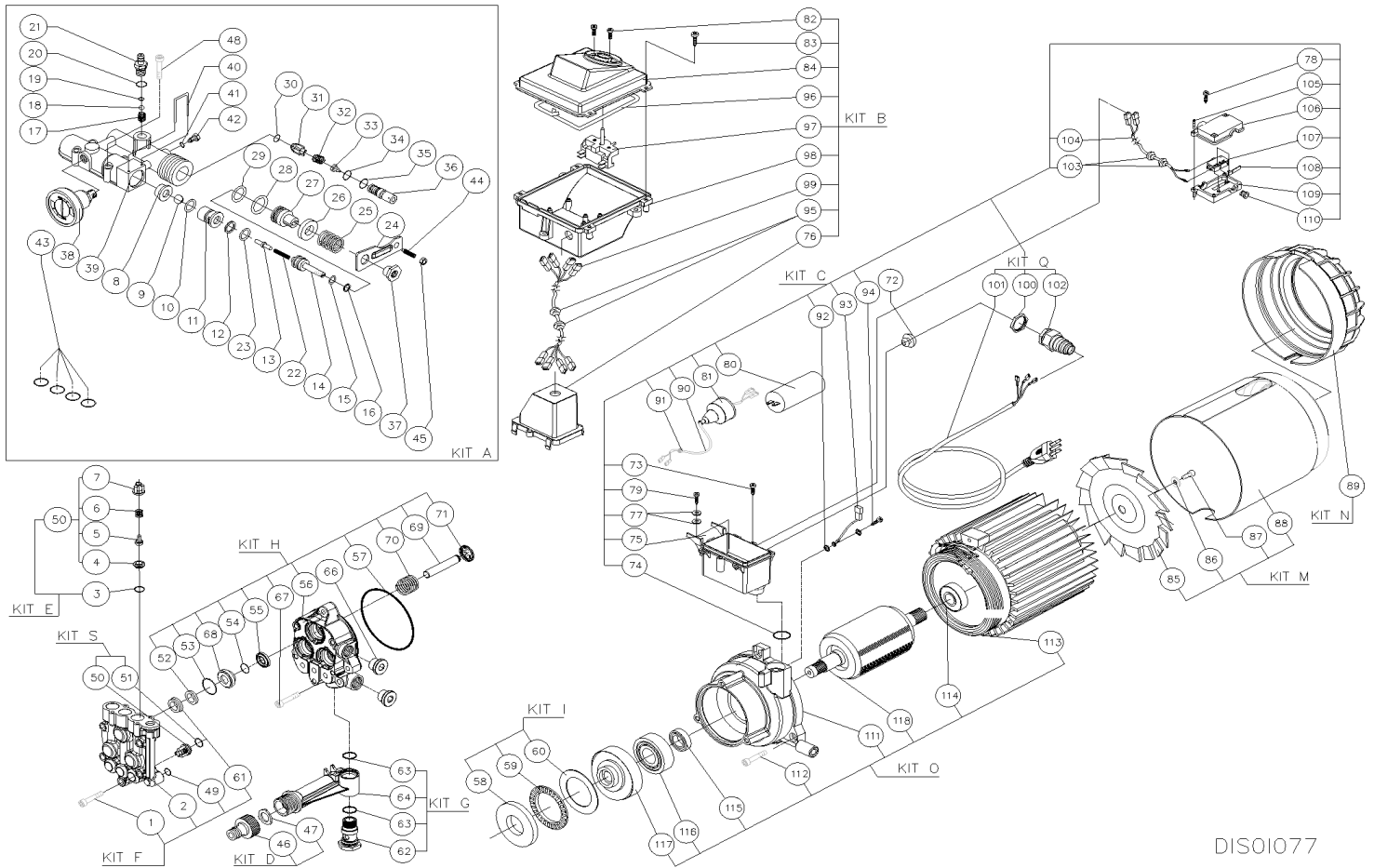
DIS01077

| Ref. K | Part N. | Customer Part N. | Description | Qty | Validity: | | Price |
|--------|---------|------------------|-------------|-----|-----------|----|-------|
| | | | | | From | To | |



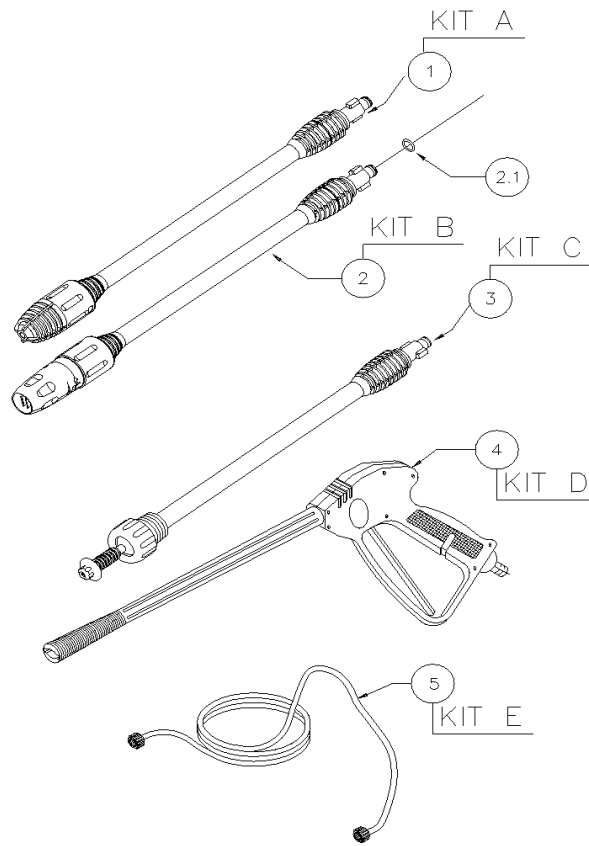
DIS01077

| Ref. Part N. | Cust. Part N. | Description | Reference | Price |
|--------------|---------------|--|--|-------|
| K 1 | KTRI93434 | SCREW KIT F 30-009 (50 PZ) | 0001 | -- |
| K A | KTRI93528 | MANIFOLD KIT F 14-015 G150X (5 PZ) | 0008 0009 0010 0011 0012 0013 0014 0015 0016 0017 0018 0019 0020 0021 0022 0023 0024 0025 0026 0027 0028 0029 0030 0031 0032 0033 0034 0035 0036 0037 0038 0039 0040 0041 0042 0043 0044 0045 0048 | -- |
| K B | KTRI93529 | CONTROL BOARD KIT F 37-044 G150X (2P) | 0076 0082 0083 0084 0095 0096 0097 0098 0099 | -- |
| K C | KTRI93530 | CONTROL BOARD KIT F37-045 G160X INF.(2P) | 0072 0073 0074 0075 0077 0078 0079 0080 0081 0090 0091 0092 0093 0094 0100 0101 0102 0103 0104 0105 0106 0107 0108 0109 0110 | -- |
| K D | KTRI82810 | QUICK SOCKET KIT 560 (20 PZ) | 0046 0047 | -- |
| K E | KTRI82808 | SMALL VALVE KIT 558 (30 PZ) | 0003 0004 0005 0006 0007 0050 | -- |
| K F | KTRI93405 | HEAD KIT F 15-041 "G" OT (1PZ) | 0001 0002 0049 0061 | -- |
| K G | KTRI93406 | INTAKE CONNECT.KIT F 15-042 "G" (1 PZ) | 0062 0063 0064 | -- |
| K H | KTRI93407 | CRANKCASE F 15-043 "G150" (5PZ) | 0052 0053 0054 0055 0056 0057 0066 0067 0068 0069 0070 0071 | -- |
| K I | KTRI82812 | ROLLER BEAR.DISKIT 562 (10 PZ) | 0058 0059 0060 | -- |
| K M | KTRI82834 | CONVEYOR KIT 573 (1 PZ) | 0085 0086 0087 0088 | -- |
| K N | KTRI93409 | CONVEYOR KIT F24-053 DIST."G"(5PZ) | 0089 | -- |
| K O | KTRI93408 | MOTOR KIT F37-043 230/50 (1 PZ) | 0111 0112 0113 0114 0115 0116 0117 0118 | -- |
| K Q | KTRI83741 | CABLE KIT 742 F140 (1PZ) | 0100 0101 0102 | -- |
| K S | KTRI83170 | SMALL VALVE KIT 613 (30 PZ) | 0050 0051 | -- |
| K 12 | KTRI93273 | ANTI-EXTR.RING KIT F 15-033 (50 PZ) | 0012 | -- |
| K 15 | KTRI93430 | O-RING KIT F 15-044 (50 PZ) | 0015 | -- |
| K 16 | KTRI93431 | O-RING KIT F 15-045 (50 PZ) | 0016 | -- |
| K 23 | KTRI93274 | O-RING KIT F 15-034 (50 PZ) | 0023 | -- |
| K 28 | KTRI93279 | O-RING KIT F 15-039 (50 PZ) | 0028 | -- |
| K 29 | KTRI93278 | O-RING KIT F 15-038 (50 PZ) | 0029 | -- |
| K 34 | KTRI92772 | O-RING KIT F 15-031 (50 PZ) | 0034 | -- |
| K 38 | KTRI93432 | O-RING KIT F 9-001 (20 PZ) | 0038 | -- |
| K 43 | KTRI93277 | O-RING KIT F 15-037 (50 PZ) | 0043 | -- |
| K 48 | KTRI93609 | SCREW KIT F 30-015 (50 PZ) | 0048 | -- |
| K 53 | KTRI93275 | O-RING KIT F 15-035 (50 PZ) | 0053 | -- |
| K 54 | KTRI93276 | O-RING KIT F 15-036 (50 PZ) | 0054 | -- |
| K 61 | KTRI93433 | O-RING KIT F 15-046 (60 PZ) | 0061 | -- |
| K 66 | KTRI84064 | CAP KIT 869 OIL 3/8G (20 PZ) | 0066 | -- |
| K 67 | KTRI93436 | SCREW KIT F 30-010 (50 PZ) | 0067 | -- |
| K 73 | KTRI92987 | SCREW KIT F 30-006 (50 PZ) | 0073 | -- |
| K 74 | KTRI93001 | O-RING KIT F 15-032 (50 PZ) | 0074 | -- |
| K 79 | KTRI82973 | SCREW KIT 590 (50 p.z.) | 0079 | -- |
| K 80 | KTRI84068 | CAPACITOR KIT 873 40 MF (10 PZ) | 0080 | -- |
| K 92 | KTRI84029 | WASHER KIT 834 (50 PZ) | 0092 | -- |
| K 94 | KTRI84040 | SCREW KIT 845 (50 PZ) | 0094 | -- |



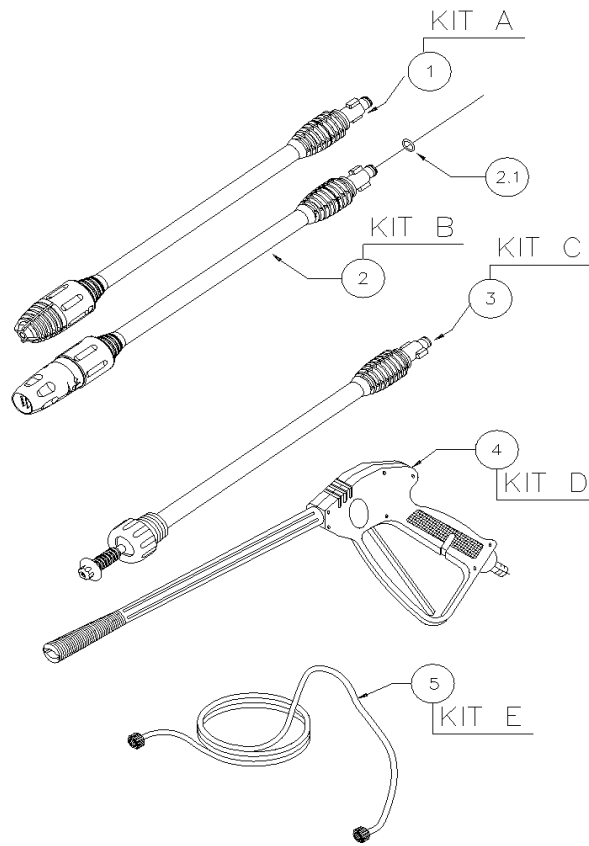
DIS01077

| Ref. Part N. | Cust. Part N. | Description | Reference | Price |
|--------------|---------------|---------------------------------|-----------|-------|
| K 96 | KTRI83435 | BLISTER DRAIN CLEANER 15 MT TES | 0096 | -- |
| K110 | KTRI92767 | PROTECTOR KIT F 24-039 (50 PZ) | 0110 | -- |
| K112 | KTRI84025 | SCREW KIT 830 (50 PZ) | 0112 | -- |



VARI0058

| Ref. K | Part N. | Customer Part N. | Description | Qty | Validity: | | Price |
|--------|---------|------------------|------------------------------|------|-----------|----|-------|
| | | | | | From | To | |
| 0001 | E | LCTE92741 | LANCE TRB P2004 1,25 150B | 1,00 | | | -- |
| 0002 | E | LCTE92624 | LANCE MRG P2004 1,25 150B | 1,00 | | | -- |
| 0004 | E | IPIP92462 | GUN BIT 1/4M / FAIP SW 150 B | 1,00 | | | -- |



VARI0058

| Ref. Part N. | Cust. Part N. | Description | Reference | Price |
|--------------|---------------|---------------------------------|-----------|-------|
| K A | KTRI93328 | HEAD KIT F31-030 P2004 1,25 | 0001 | -- |
| K B | KTRI93329 | LANCE KIT F31-031 MRG 1,25(1PZ) | 0002 | -- |
| K D | KTRI93331 | GUN F 26-012 BIT 1/4M(1 PZ) | 0004 | -- |