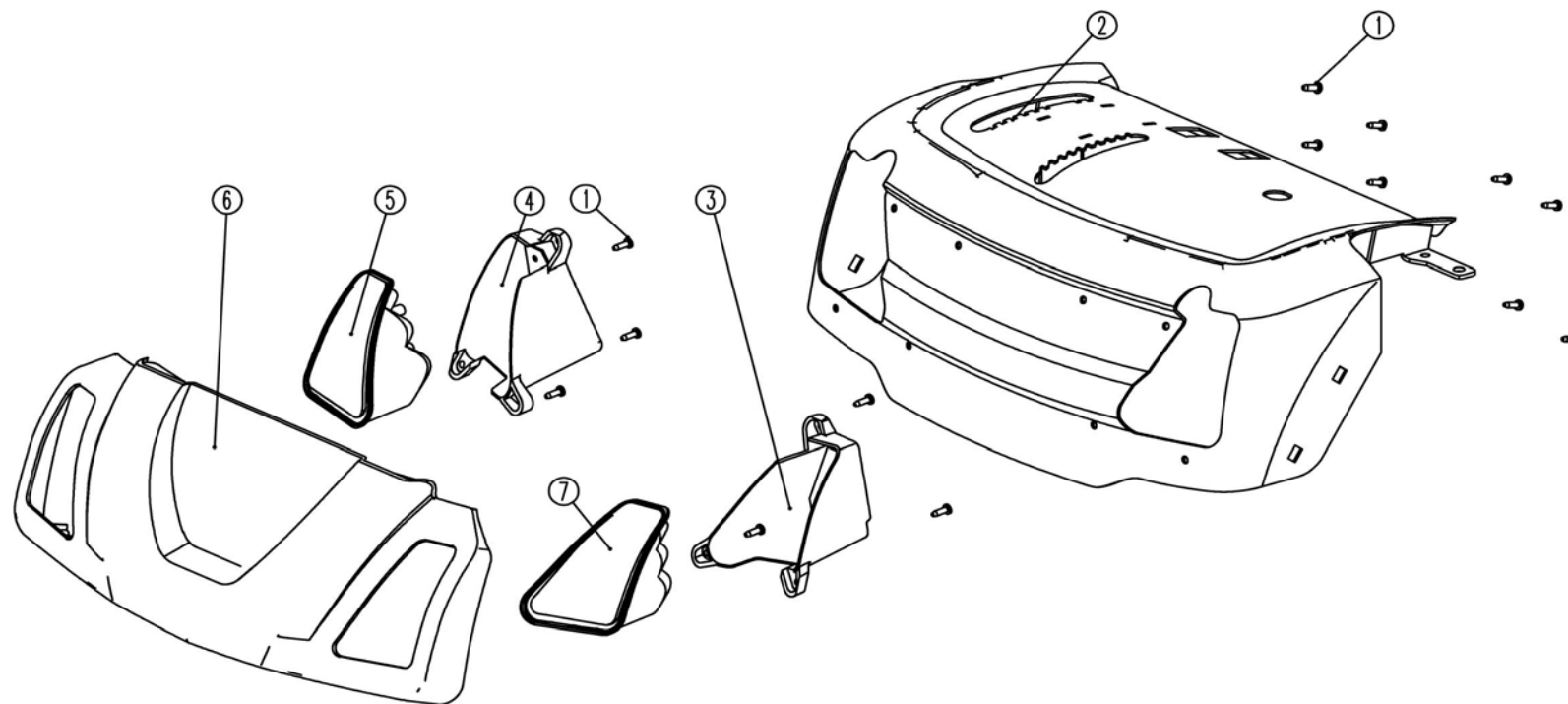
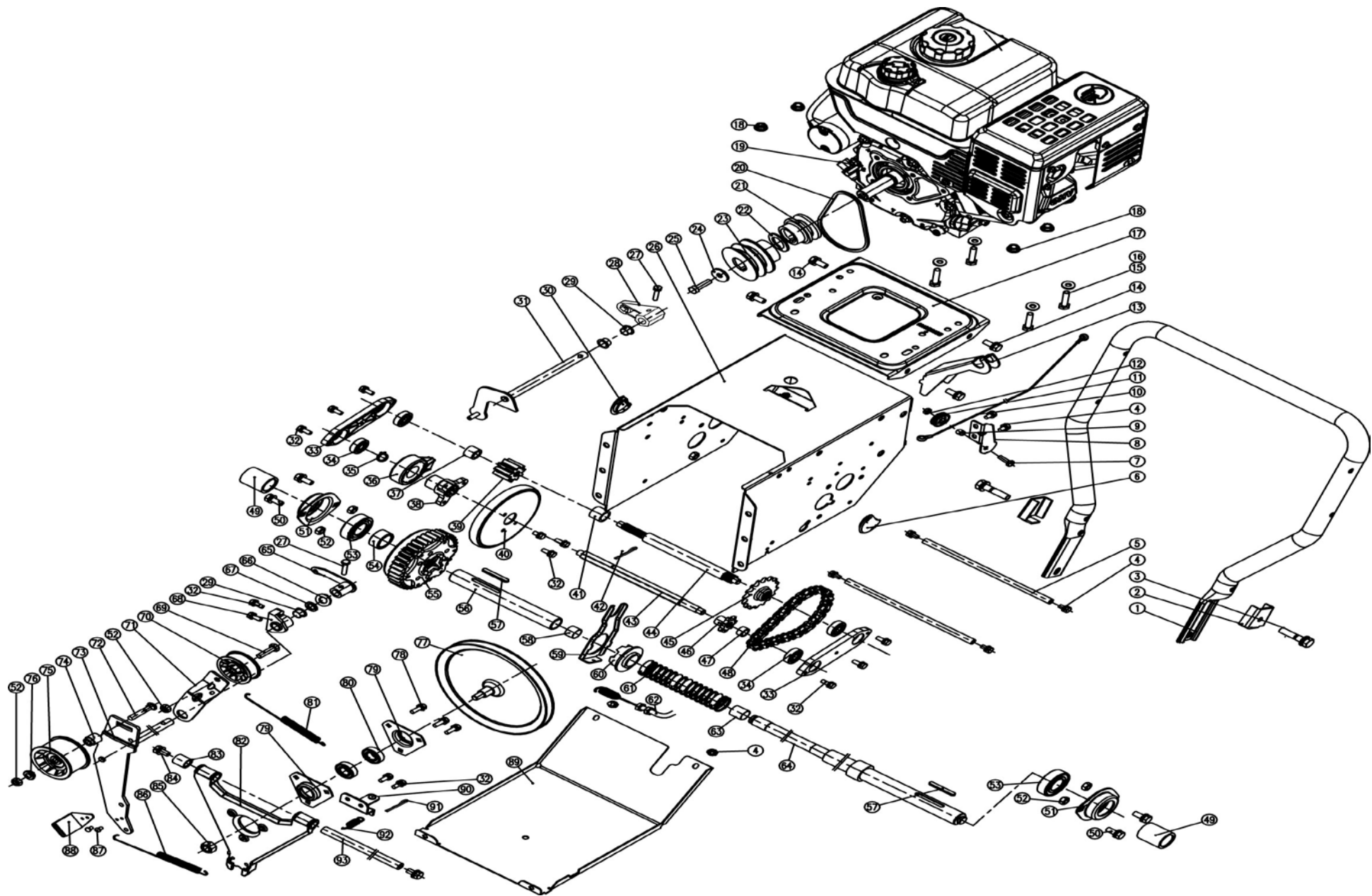


NO.	Part No.	Part Name (English)	QTY
1	S07*00656	jam nut M8	6
2	KC55-10	right gimbal	1
3	GB/T 6171-2000	nut M8x1	1
4	KC26-04A	gear connector bar	1
5	GB/T 889.1-2000	nut M8	5
6	S07*00447	Concave gasket / 8*22*2	4
7	KC30-05A	Armrest aluminum pad	2
8	GB/T12-1988	bolts M8X55	4
9	GB/T6563-2014	Hexagon head combination bolts M6X16	4
10	KC30A-04A	Belt cover	1
11	KC30A-07	Belt rod	1
12	KC42A-03A	chute assebmly	1
13	KC55-24	Snow shovel	1
14	KC55-15	Helical bracket washers	1
15	KC26-11	Long washers	1
16	KC26-14	Hollow worm	1
17	KC26-12	Mandrel	1
18	KC26-15	Lower connection tube	1
19	GB/T 879-2000	Elastic cylindrical pin 3 * 18	2
20	KC26-16	Rotating frame cover	1
21	GB/T9074.17-1994	screw M6X16	2
22	KC26-10A	Rotating frame	1
23	GB/T12-1988	bolt M8X16	3
24	GB/T889.1-2000	hexagon lock nut M8	3
25	GB/T 96.2-2002	washer C6	2
26	KC26-17	friction pad	1
27	KC26-18	friction spring	1
28	4LXP900	belt	2
29	GB/T9074.17-1994	bolt M8x20	2
30	GB/T 96.2-2002	washer C8	2
31	KC30-17	cable holder	1
32	KC30A-08	belt cover washer	2



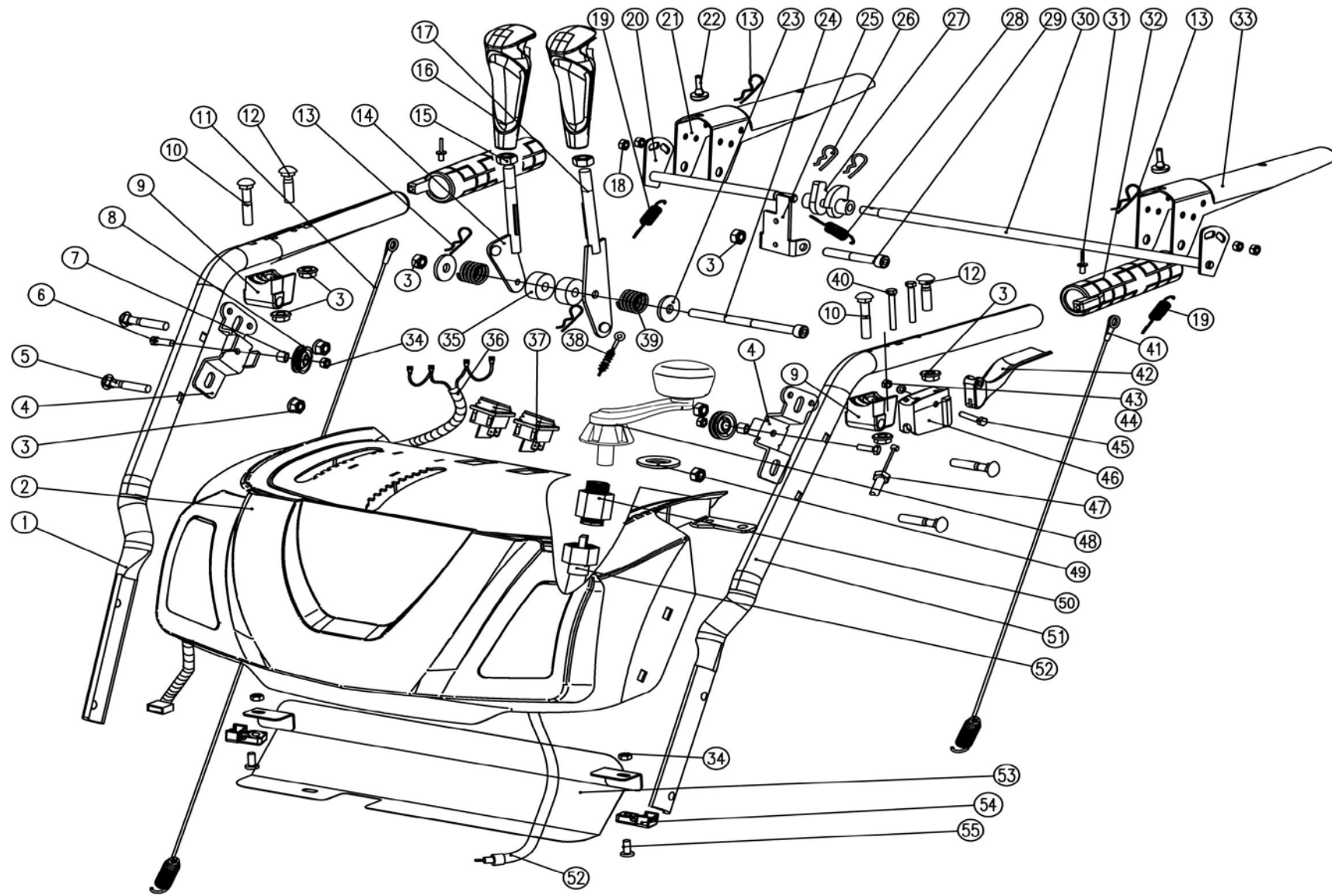
No.	Item No.	Description (EN)	QTY
1	GB/T845-1985	screw ST4.2*13-F	14
2	KC30-03-66	YF welded panel	1
3	KCD26-03-02	light seat left	1
4	KCD26-03-07	light seat right	1
5	KCD26-03-08	light right	1
6	KC30-03-67	YF plastic panel	1
7	KCD26-03-01	light left	1



NO.	Part No.	Part Name (English)	QTY
1	KC90-02-21A	handlebar	1
2	KC55-02-25A	handle connecting plate	2
3	GB/T9074.17-1988;M10X45	Bolt M10x45	2
4	GB/T5780-2000;M6X16	Bolt M6x16	8
5	KC30A-02-30	strut	2
6	KC30A-02T-01	cover 2	1
7	GB/T5780-2000;M6X20	bolt M6x20	1
8	KCM24-02C-19	pulley seat	1
9	KC21-02-2	small shaft sleeve	1
10	KC21-02C-01	short wire	1
11	KC40-28	pulley	1
12	GB/T899.1-2000;M6	jam nut M6	1
13	KC30A-02-02	connecting plate	1
14	GB/T9074.17-1988;M8X20	bolt M8X20	4
15	GB/T5780-2000;M8X40	bolt M8X40	4
16	S07*00143	washer 24*8*2	4
17	KC30A-02-29	enging plate	1
18	DIN6927	jam nut M8	4
19	LC180FDS	engine	1
20	3LXP820	belt	1
21	KC30A-02-03	drive wheel	1
22	KC21-02-36	washer	4
23	KC90-02-16	drive pulley 2	1
24	GB/T5287-2002;8	washer 8	1
25	GB/T5786-2000; 5/16-24*1 1/4	bolt 5/16-24*1 1/4	1
26	KC30A-02-04A	transmission box assembly	1
27	GB/T9074.17-1988;M6X20	bolt M6x20	2
28	KC30-02-12	shift connector	1
29	KC90-02-07	plastic sleeve	3
30	KC30A-02T-02	cover 3	1
31	KC55-02-05	shift fork	1
32	GB/T9074.17-1988;M6x16	bolt M6X16	13
33	KC30A-02-05	bearing seat	2
34	GB/T276-1997;6200	ball bearing 6200	4
35	GB/T894.1-1986;25	circlip 25	1
36	KC21-02-13	shift bearing	1
37	KC30A-02-06	sleeve 15x20x15	1

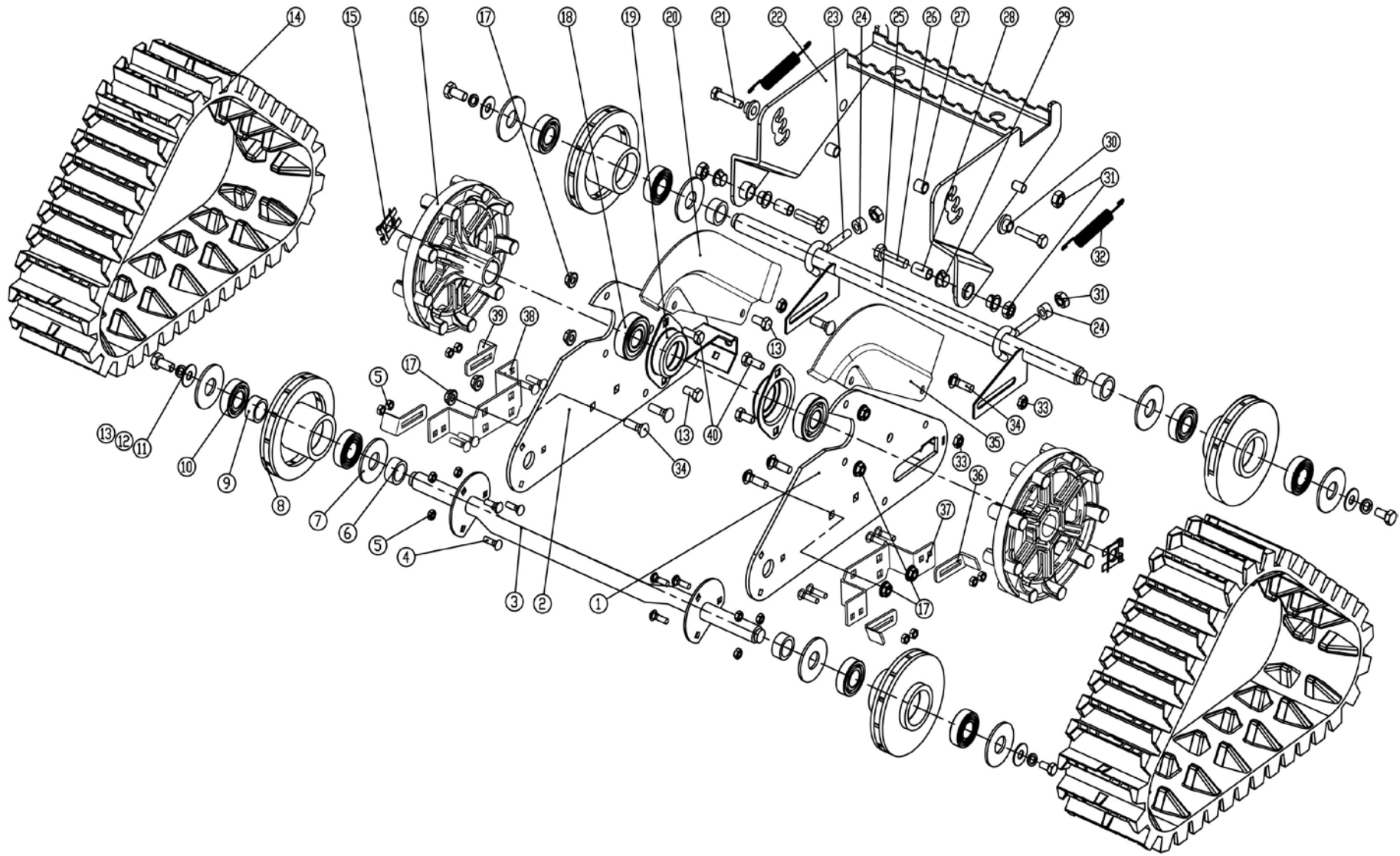
38	KC21-02-12B	rubber wheel seat	1
39	KC30A-02-07	small gear	1
40	KC21-02-11A	rubber wheel	1
41	KC30A-02-08	sleeve 18x23x18	1
42	KC55-29	B pinchcock	1
43	KC30A-02-9	hexagon shaft	1
44	KC30A-02-10-2	transit shaft	1
45	KC30A-02T-3	chain wheel	1
46	KC30A-02-11	small chain wheel	1
47	KC30A-02-12	sleeve 12x15x8	1
48	GB/T1243-1997;085-26	chain 085-26	1
49	KC30-02-16A	shaft sleeve	2
50	GB/T9074.17-1988;M8X16	bolt M8x16	4
51	KC90-02-11	bearing seat	2
52	GB/T899.1-2000	jam nut M8	4
53	GB/T899.1-2000;M8	ball bearing 6205	2
54	KC30A-02-14	shaft sleeve 25x34x16	1
55	KC30A-02-15	differential	1
56	KC30A-02-16	short semi-shaft	1
57	GB/T1095-2003;6X4X45	flat key 6x4x45	2
58	KC30A-02-17	bronze sleeve 1	1
59	KC30A-02-18	fork plate	1
60	KC30-02-07	auxiliary differential part	1
61	KC30-02-05	big spring	1
62	KC30-02-06B	differential cable	1
63	KC30A-02-19	bronze sleeve 2	1
64	KC30A-02-20	long shaft	1
65	KC30A-02-31	tension connector	1
66	GB/T848-2002;φ12	flat washer;φ12	1
67	GB/T955-1987;φ13	spring washer φ13	1
68	KC21-02C-09	fixing block	1
69	GB/T5780-2000;M8x30	bolt M8X30	1
70	KC55-02-21A	small tension pulley	1
71	KC21-02C-10	small tension plate	1
72	GB/T12-1988;M8X45	bolt M8x45	1
73	KC30A-02A-5	big tension combination	1
74	KC55-01-24	bushing	1
75	KC55-01-27	big tension pulley	1
76	KC55-01-26	pad	1

77	KC21-02C-13	belt pulley	1
78	GB/T9074.17-1988;M6x20	bolt M6x20	3
79	KC90-02-12	delta bearing seat	2
80	GB/T276-1997;6002	ball bearing 6002	2
81	KC90-02-15	spring	1
82	KC30A-02-23	support for friction disc	1
83	KC30A-02-24	sleeve 13x20x20	1
84	GB/T9074.17-1988;M8x16	bolt M8X16	2
85	GB/T899.1-2000;M12	jam nut M12	1
86	KC21-02C-12	brake spring	1
87	GB/T 109-1986;4x12	rivet 4x12	2
88	KC30A-02-25	brake block	1
89	KC30A-02-26A	bottom plate for transmission box	1
90	KC30A-02-27	position part	1
91	S03*00493	B Pin;ø1.5X25	1
92	KC21-02C-17	reset spring	1
93	KC90-02-31	strut	1



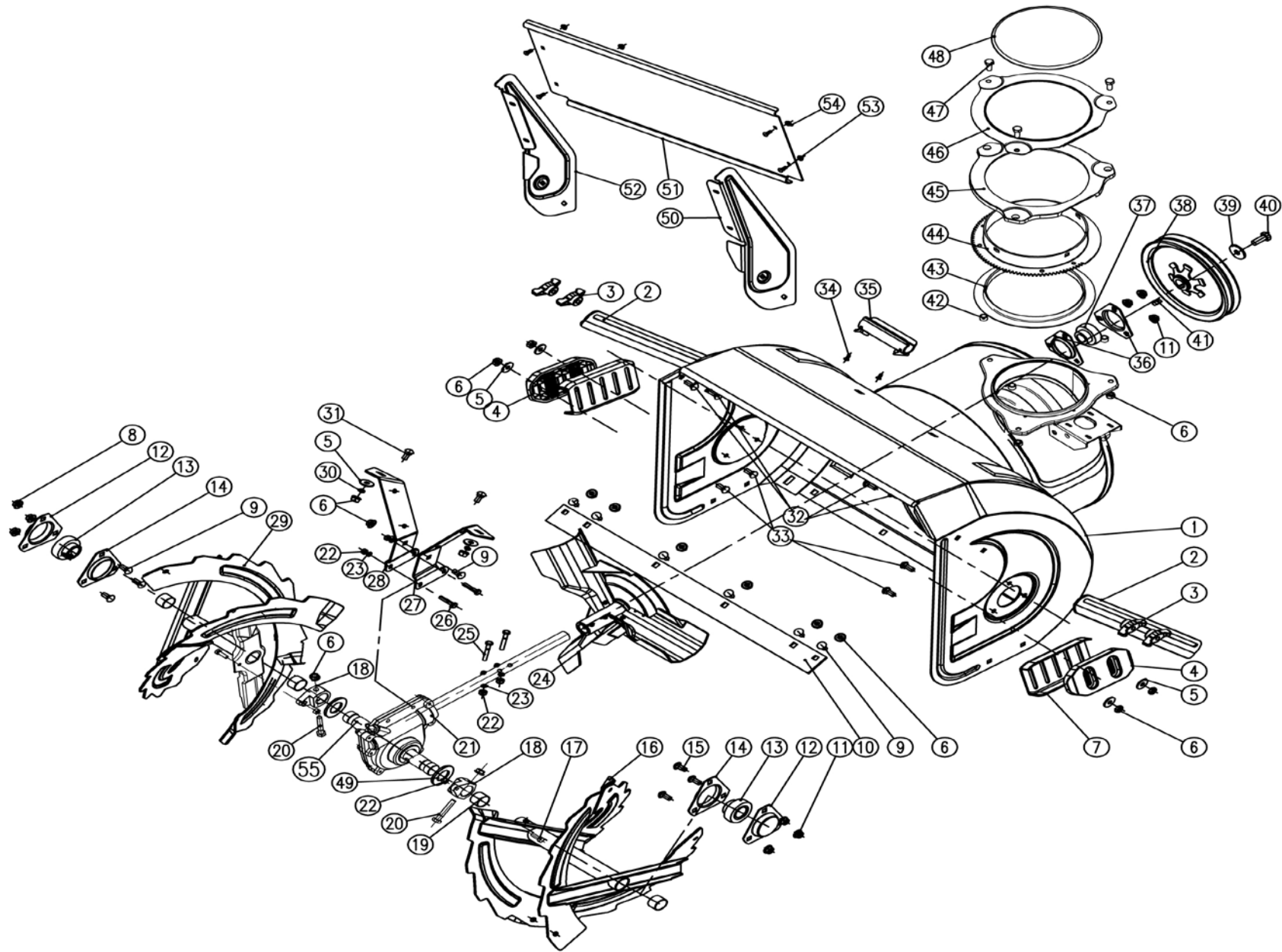
No.	Item No.	Description (EN)	QTY
1	KC30-03C-01R	upper handle right	1
2	KC30-03YF-00	panel assembly	1
3	GB/T899.1-2000	nut M8	10
4	KC30-03-44A	pulley seat	2
5	GB/T12-1988	bolt M8x40	4
6	GB/T5780-2000	bolt M6x20	2
7	KC21-02-2	small sleeve	2
8	KC40-28	pulley	2
9	KCA28-04-03	handle seat	2
10	GB/T12-1988	bolt M8x45	2
11	KC30-03-49A	auger cable	1
12	GB/T12-1988	bolt M8x35	2
13	S03*00493	pin 1.5x25	4
14	KC30-03-09	drive handle bar	1
15	GB/T 6177.1-2000	nut M10	2
16	KC30-03-2 (M4)	gear handle	2
17	KC30-03-11GGP	deflector handle bar	1
18	GB/T 6183.1-2000	nut M6	4
19	KC30-03-45	handle spring	2
20	KCA28-04-14	short rod	1
21	KCA28-04-04	right control lever	1
22	KC55-03-15	rubber pad	2
23	GB/T5287-2002	washer 8	2
24	GB/T 70.1-1985	nut M8x150	1
25	KCA28-04-17	stopper	1
26	KC30-03-50	pin	2
27	KCA28-04-16	cam	1
28	KC55-03-11	stopper spring	1
29	GB/T 70.1-1985	nut M8x60	1
30	KCA28-04-08	long rod	1

31	GB/T 12618-1990	rivet 4x10	4
32	KC90-04-04A	heated handle	2
33	KCA28-04-10	left control lever	1
34	GB/T899.1-2000	nut M6	4
35	KC55-03-05-6	short sleeve	2
36	KC30-03A-14	input wire	1
37	SD3-2(P)21	button	2
38	KC30A-05-4	deflector cable	1
39	KCD26-06-2	preset spring	1
40	GB/T70.1-1985	nut M5x35	2
41	KC30-03-49	drive cable	1
42	KC30-03-08	differential handle	1
43	GB/T 889.1-2000	nut M6	1
44	GB/T95-2002	flat washer 6	1
45	KC30-03-06	handle bolt	1
46	KC30-03-05	differential seat	1
47	KC30-02-06B	differential cable	1
48	KC30-03-32	rotator	1
49	KC30-03-31	rubber pad	1
50	KC30-03-23	lower seat	1
51	KC30-03C-01L	upper handle left	1
52	KC30-03-22A	soft shaft	2
53	KC30-03-26	cover	1
54	KC30-03-63	plastic pad	2
55	GB/T9074.17-1988	bolt M6x20	2



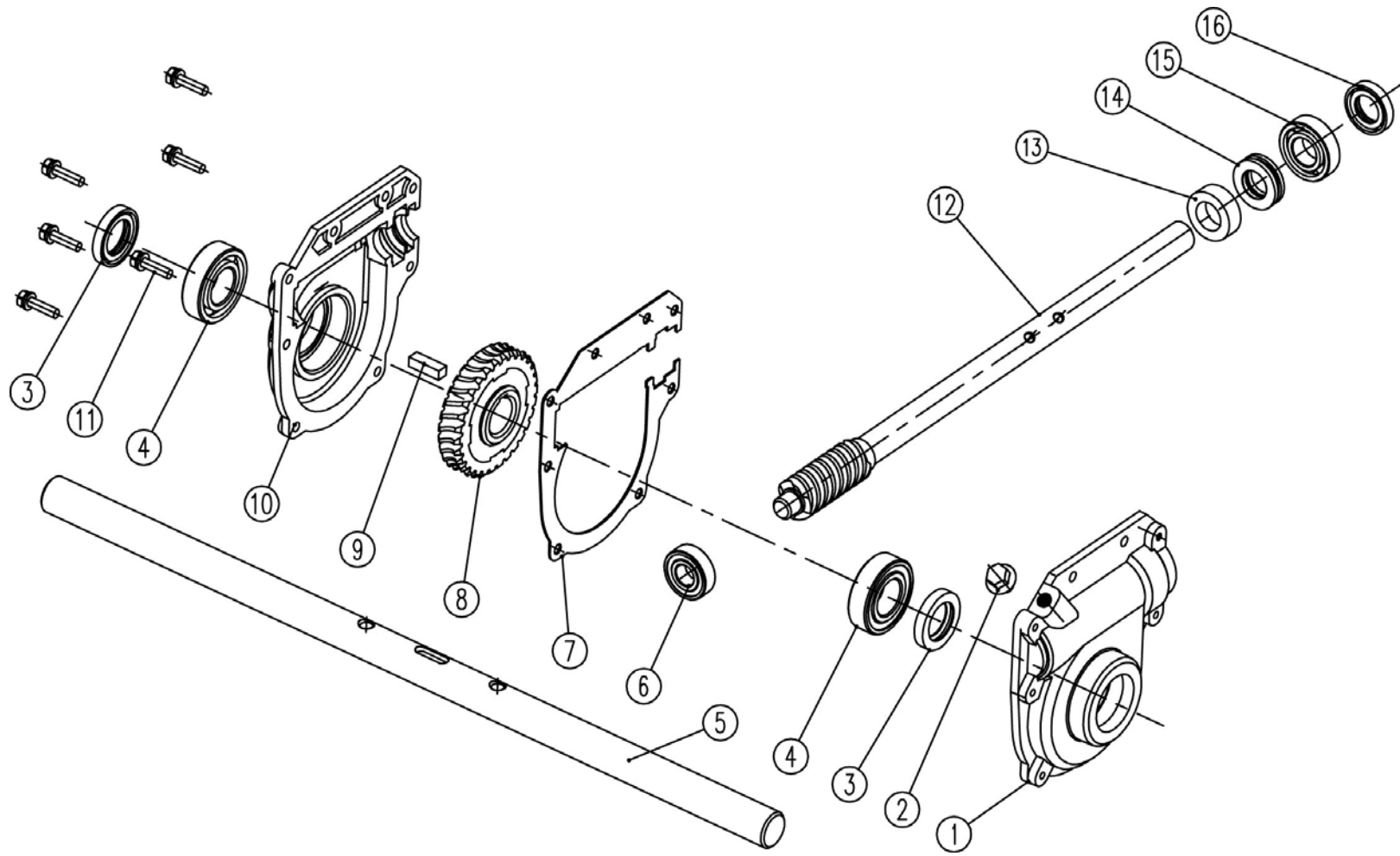
NO.	Part No.	Part Name (English)	QTY
1	KC90-03-01A	pedrail bracket,left	1
2	KC90-03-02A	pedrail bracket,right	1
3	KC90-03-03A	front pedrail shaft	1
4	GB/T12-1988	bolt M6x16	14
5	GB/T 889.1-2000	jam nut M6	14
6	KC90-03-04	shaft bushing	4
7	KC90-03-05	big washer	8
8	KC90-03-06	lder pulley	4
9	KC90-03-24	bushing	4
10	6004-2RS	ball bearing 6004-2RS	8
11	GB/T5287-2002	washer 8	4
12	GB/T93-1987	spring washer 8	4
13	GB/T 5780-2000	bolt M8x16	8
14	XL-A	pedrail	2
15	KC90-03-07	clip	2
16	KC90-03-08A	pedrail pulley	2
17	DIN6927	jam nut M8	6
18	6205-2RS	ball bearing 6205-2RS	2
19	KC90-02-11	rhombus bearing seat	2
20	KC90-03-18	left plate for rubber track	1
21	GB/T 5780-2000	bolt M10x45	2
22	KC90-03-10A	pedal assemble	1
23	KC90-03-11A	hook	2
24	KC90-03-25	hook washer	2
25	KC90-03-12	rear axle for pedrail	1
26	GB/T 5780-2000	bolt M10x70	2
27	KC90-03-16	bushing	2
28	KC90-03-13	bushing,middle	2
29	KC90-02-07	plastic bushing	4
30	KC90-03-14	pad	2
31	GB/T 889.1-2000	jam nut M10	6
32	KC90-03-15	reset spring	2
33	GB/T 889.1-2000	nut M8	6
34	GB/T12-1988	bolt M8x18	6

35	KC90-03-19	right plate for rubber track	1
36	KC90-03-20	right scrapper	2
37	KC90-03-21	scraper seat	1
38	KC90-03-23	scraper seat 2	1
39	KC90-03-22	left scrapper	2
40	GB/T 5780-2000	bolt M8x20	2

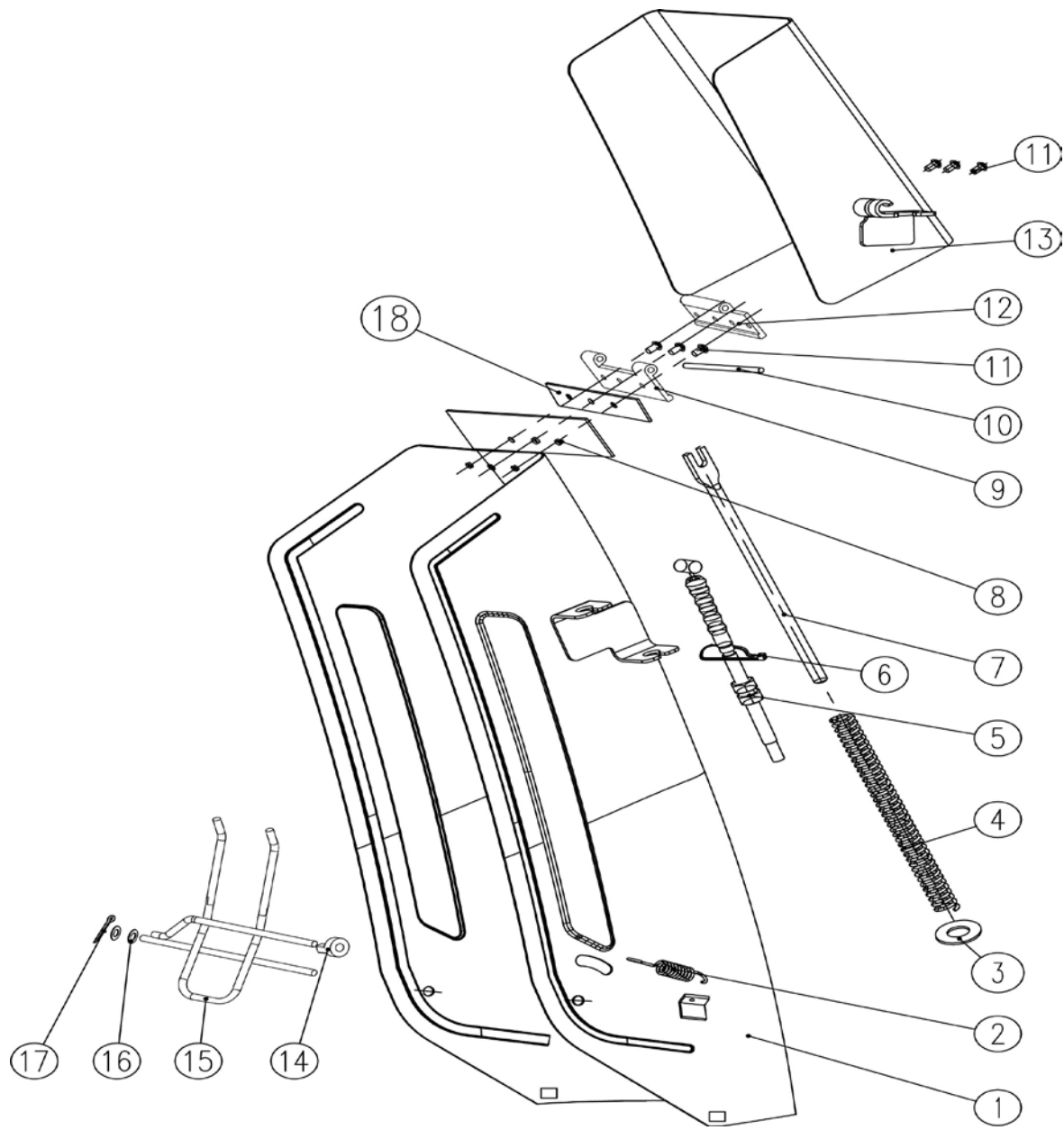


NO.	Part No.	Part Name (English)	QTY
1	KCA26-01-01A	housing assemble (26)	1
2	KC26-01-06	housing bar (optional)	2
3	KC55-25	plastic nut (optional)	4
4	KC42-01-02	skid shoe	2
5	GB/T96.2-2002	washer 8	6
6	GB/T889.1-2000	nut M8	18
7	KCA34-01-10	skid shoe	2
8	GB/T6183.1-2000	nut M8	16
9	GB/T12-1988	bolt M8x16	7
10	KC26-01-03	shave plate (26)	1
11	DIN6927	nut M8	9
12	KC42-01-05A	bearing seat	2
13	GB/T7810-1995	bearing SB205	2
14	KC42-01-04A	bearing seat 205	2
15	GB/T12-1988	bolt M8x18	6
16	KCA26-01-02	right auger	1
17	S07*00845	bolt M6*20	2
18	KCA34-01-25	coupling	2
19	KCA34-01-02A-06	sleeve	4
20	GB/T5782-2000	bolt M8x45	2
21	KCA34-01-05	gear box	1
22	GB/T889.1-2000	jam nut M6	6
23	GB/T93-1987	washer 6	4
24	KCA34-01-06A	fan	1
25	GB/T5782-2000	bolt M6x40	2
26	GB/T5782-2000	bolt M6x30	2
27	KCA34-01-07R	right support	1
28	KCA34-01-07L	left support	1
29	KCA26-01-03	left auger	1
30	GB/T93-1987	washer 8	2
31	GB/T12-1988	bolt M8x20	2
32	GB/T12-1988	bolt M8x20 (optional)	4
33	GB/T12-1988	bolt M8x25	4
34	GB/T845-1985	screw ST4.2x9.5-F	2
35	KC55-01-21	shovel support	1
36	KC42-01-20	bearing seat	2
37	SB204	ball bearing SB204	1

38	KC42-01-22	belt pulley	1
39	GB/T5287-2002	washer 10	1
40	GB/T5780-2000	bolt M10x25	1
41	GB/T1095-2003	A flat key 6x20	1
42	KCA34-01-14	sleeve	3
43	KCA34-01-15	gear washer	1
44	KCA34-01-16	gear plate	1
45	KCA34-01-17	gear plate cover	1
46	KCA34-01-18	metal cover	1
47	GB/T5780-2000	bolt M8x25	3
48	KCA34-01-19	rubber ring	1
49	KCA34-01-09	washer	2
50	KCA34-01-11	right support for higher plate (optional)	1
51	KCA26-01-04	higher plate (optional)	1
52	KCA34-01-13	left support for higher plate (optional)	1
53	GB/T12-1988	bolt M8x16 (optional)	4
54	GB/T6183.1-2000	nut M8 (optional)	4
55	KCA26-01-05	output shaft	1



NO.	Part No.	Part Name (English)	QTY
1	KCA34-01-05-01	Worm case right	1
2	GB/T16674.1-2004	bolt M10x15	1
3	GB/T9877.2-1988	seal ring 25x40x7	2
4	GB/T276-1994	bearing 6205	2
5	KCA26-01-05	auger shaft 26	1
6	GB/T276-1994	bearing 6202	1
7	KCA34-01-05-03	paper washer	1
8	KCA34-01-05-04	worm	1
9	GB/T1095-2003	key A8*25	1
10	KCA34-01-05-05	worm case left	1
11	GB/T9074.17-2002	bolt M6x25	6
12	KCA34-01-05-06	worm shaft	1
13	KCA34-01-05-07	sleeve	1
14	GB/T301-1995	bearing 51104	1
15	GB/T276-1994	bearing 6004	1
16	GB/T9877.2-1988	seal ring 20x35x7	1



NO.	Part No.	Part Name (English)	QTY
1	KC42A-03A-1A	chute welded	1
2	KC55-03-17	spring	1
3	GB/T96.2-2002	washer C8	1
4	KC30A-05-2	deflector spring	1
5	KC30A-05-4A	deflector cable	1
6	SGC06*20150128	tie	1
7	KC30A-05-3	strut	1
8	KC42A-03-2A	sealing pad	1
9	KC30A-05-6B	lower hinge	1
10	KC30A-05-7B	hinge axle	1
11	GB/T12618-1990	rivet 4x10	7
12	KC30A-05-08B	upper hinge	1
13	KC42A-03-3	deflector	1
14	KC21-23	washer for barrier	1
15	KC42A-03-4	barrier	1
16	KC55-26	plastic washer	1
17	GB/T91-2000	pin 2*16	1
18	KC42A-03-5	sealing pad	1