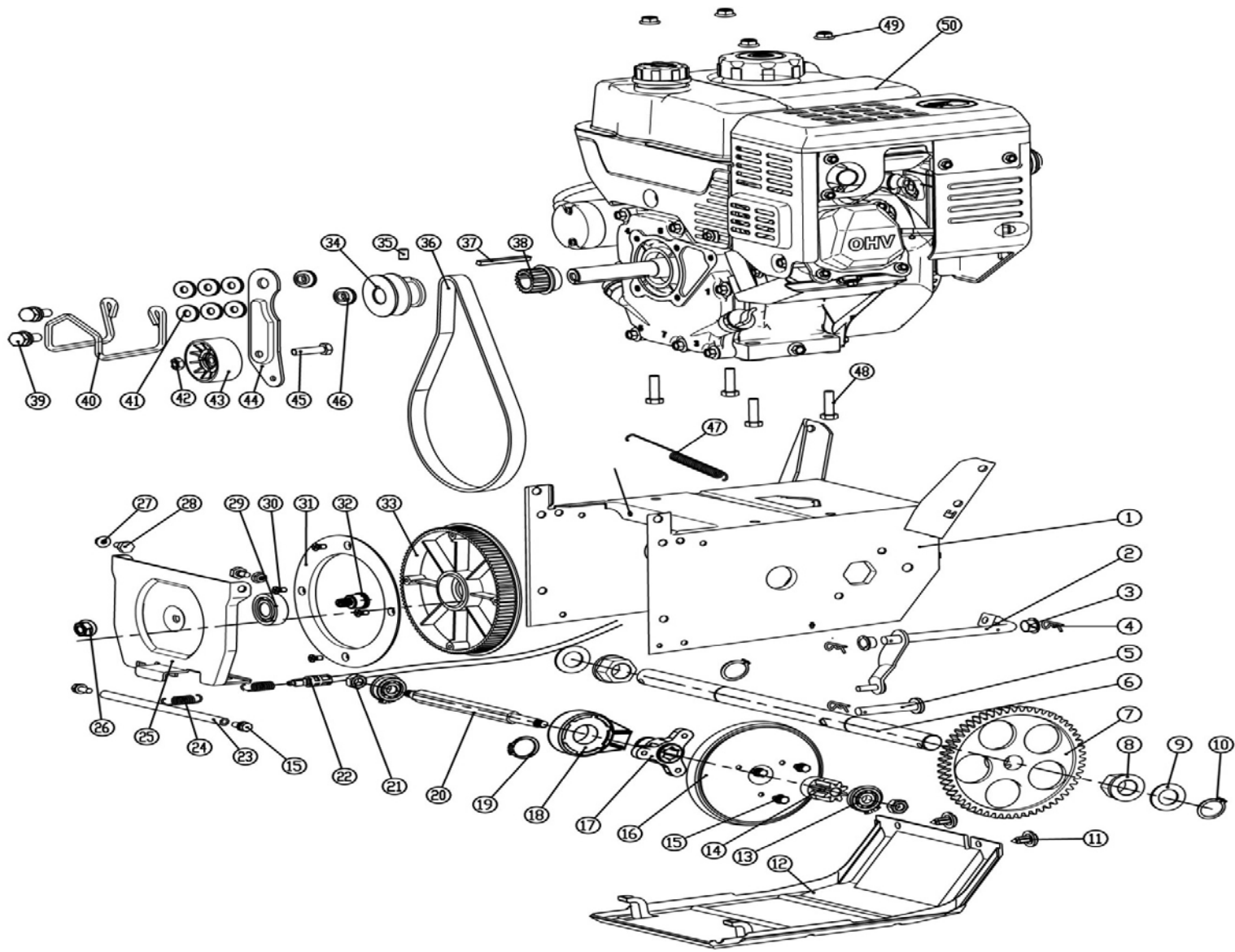


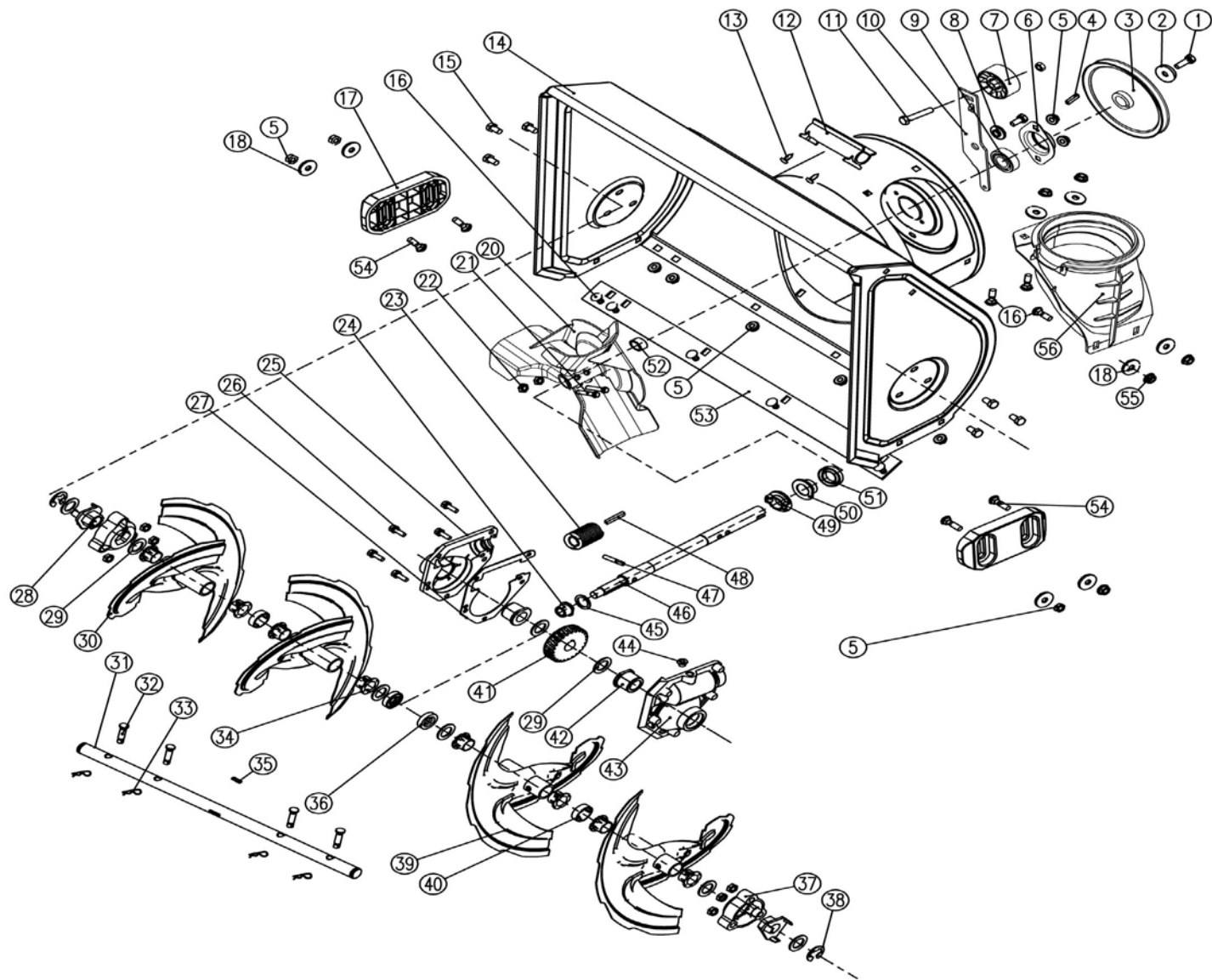
NO.	Part No.	Part Description (EN)	QTY
1	KCM22B-01	Big housing assembly	1
2	KCW-03	D pin 6x40	2
3	KC21-02-27	rim	2
4	S88*00850	tyre 13x4.10-6 (with rim)	2
5	GB/T 9074.17-2000	bolt M8x20	6
6	KCM22B-02	transmission box	1
7	S03*00493	B pin 1.5x25	2
8	GB/T41-2000	nut C M8x1	1
9	KCM22B-03	adjusting nut	1
10	KC21-03-02BR	right upper handle	1
11	KCM22B-04	connecting rod	1
12	GB/T12-1988	bolt M8x40	6
13	S07*00447	washer 8x22x2	6
14	GB/T 889.1-2000	jam nut M8	9
15	KC21-03-02BL	left upper handle	1
16	KCM22B-02-09	walking cable	1
17	GB/T93-1987	washer 8	2
18	GB/T 6183.1-2000	jam nut M6	2
19	KC21-03C-05	handle	2
20	KC21-03C-2	handle bolt	2
21	KC21-03C-04B	right control lever	1
22	KC21-03C-08	handle pad	2
23	KCM22B-05	auger cable	1
24	KC21-03C-06B	left control lever	1
25	GB/T12-1988	bolt M8x45	2
26	KCM24-04	panel	1
27	KC55-03-04	preset spring	1
28	GB/T 5780-2000	bolt M8x35	1

29	KC55-03-06	cable pin	1
30	KCM24-04(M4)-2	control handle	1
31	KCW-04	plastic clip 8	2
32	KCM22B-06	belt cover	1
33	KCM22A-14	handle for chute	1
34	KCM22A-15	deflector	1
35	GB/T12-1988	bolt M8x16	1
36	KCM22A-21	long bolt	1
37	KC55-25	plastic nut	1
38	KCM22A-16	chute	1
39	KCM22A-20	safety barrier	1
40	KCW-04	cap 6	1
41	KCM22A-17	chute fixed seating 1	1
42	KCM22A-18	leaf spring	1
43	KC55-24	shovel	1
44	KCM22A-19	chute fixed seating	1
45	GB/T845-1985	screw ST4.2*16	6
46	KC21-11C	belt rod	1
47	S03*00968	belt V10*660	1
	S88*00420	chute assembly (14.33.34.35.36.37.38.39.40.41.42.44.45)	



NO.	Part No.	Part Description (EN)	QTY
1	KCM22B-02-01	transmission case	1
2	KCM22B-02-02	shifting fork	1
3	KCM22B-02-03	small shaft sleeve	2
4	S03*00493	B pin	3
5	GB/T882-1986	pin shaft B 8x35	1
6	KCM22B-02-04	driving shaft	1
7	KCM22B-02-05	driving gear	1
8	KCM22B-02-06	shaft seat	2
9	KC21-02-09	shaft washer	2
10	GB/T894.1-1986	circlip A 20	2
11	KCW-04	plastic clip 8	2
12	KCM22B-02-07A	plastic cover	1
13	GB/T276-1994	bearing 6200N	2
14	KC21-02-25	gear	1
15	GB/T9074.17-2002	bolt M6x16	5
16	KC21-02-11A	rubber ring	1
17	KC21-02-12B	ring seat	1
18	KC21-02-13	shift bearing	1
19	GB/T894.1-1986	circlip 25	1
20	KCM22B-02-08	sexi-shaft	1
21	GB/T889.1-2000	jam nut M8	2
22	KCM22B-02-09	walking cable	1
23	KCM22B-02-10	support bar	1
24	KC21-02C-17	reset spring	1
25	KCM22B-02-11	seat for friction disc	1
26	GB/T889.1-2000	jam nut M12	1
27	GB/T6183.1-2000	jam nut M6	2
28	KCM22B-02-12	stepped screw M6	2
29	GB/T276-1994	bearing 6203-2RS	1

30	GB/T819.1-2000	screw M6x12	6
31	KCM22B-02-13	cover for friction disc	1
32	KCM22B-02-14	transmission shaft	1
33	KCM22B-02-15	friction disc	1
34	KCM22B-02-16	small pulley	1
35	GB/T 78-2000	screw M8x8	1
36	S03*00909	synchronous belt 5M710-15	1
37	S07*00588	flat key 4.7x4.7x60	1
38	KCM22B-02-17	small synchronous pulley	1
39	GB/T 9074.17-2000	bolt M8*30	2
40	KCM24-05CA	belt rod	1
41	GB/T96.2-2002	washer C	6
42	GB/T889.1-2000	jam nut M8	1
43	KC55-02-21A	small tension pulley	1
44	KCM22B-02-18	small tension plate	1
45	GB/T5780-2000	bolt M8x30	1
46	KC55-02-20	washer for tension pully	2
47	KCM22B-02-19	small tension spring	1
48	GB/T5780-2000	bolt M8x35	4
49	DIN6927	jam nut M8	4
50	engine	engine	1



NO.	Part No.	Part Description (EN)	QTY
1	GB/T5780-2000	bolt M10x25	1
2	GB/T 5287-2002	washer 10	1
3	KCM24-01-22	belt pulley	1
4	GB/T 1096-1979	flat key 6x6x14	1
5	GB/T 889.1-2000	jam nut M8	22
6	KCM24-02C-23	bearing seat	1
7	KC55-02-21A	small tension pulley	1
8	KC55-02-20	washer for tension pulley	1
9	GB/T276-1994	bearing 6004	1
10	KCM22B-01-1	big tension plate	1
11	GB/T5780-2000	bolt M8x30	1
12	KC55-01-21	shovel seat	1
13	GB/T845-1985	screw ST4.2x9.5-F	2
14	KCM22B-01-2	22inch housing	1
15	GB/T6563-1986	bolt M8x25	6
16	GB/T12-1988	bolt M8x16	10
17	KCM22A-01-02	skid shoe	2
18	GB/T96.2-2002	washer 8	8
20	KCM24-01C-06	fan	1
21	GB/T70.1-2000	screw M6x35	2
22	GB/T 889.1-2000	jam nut M6	2
23	KCM22B-01-4	worm head	1
24	KC55-01-16	worm shaft sleeve 2	1
25	KCD24-01-07-01	worm case left	1
26	GB/T9074.17	bolt M6x20	5
27	KCD24-01-07-05	sealing washer	1
28	KCD24-01-02	plastic bearing	2
29	KCD24-01-01	washer 31*19.5*18	8
30	KCM24-01-08C	left auger	2



31	KCM22B-01-6A	output shaft (22inch)	1
32	KC21-01-03	safety bolt	4
33	KC55-29	B pin	4
34	KC55-01-06	shaft sleeve	8
35	GB/T 1096-1979	flat key 5*5*16	1
36	GB 13871-1992	sealing ring FB19x30	2
37	KCM22B-01-5A	bearing seat	2
38	GB/T 896	clip 15	2
39	KCM24-01-13C	right auger	2
40	KCM22B-01-11	plastic washer 10	2
41	KCD24-01-07-02	worm gear	1
42	KC55-01-09A	shaft sleeve 19	2
43	KCD24-01-07-07	worm case right	1
44	KCD24-01-07-08	plug for grease	1
45	KCD24-01-07-06	washer 26*12.5*1.8	1
46	KCM22B-01-7A	worm shaft	1
47	GB/T119-2000	pin 6*32	1
48	GB/T 1096-1979	flat key 5*5*35	1
49	KCD24-01-07-04	circlip for worm shaft	1
50	KC55-01-19	sleeve of worm shaft	1
51	GB 13871-1992	sealing ring FB20x35x7	1
52	KCM22B-01-08	bushing	1
53	KCM22A-01-03	shave plate	1
54	GB/T12-1988	bolt M8x20	4
55	DIN6927	jam nut M8	4
56	KCM24-01C-07	fixing seat for chute	1