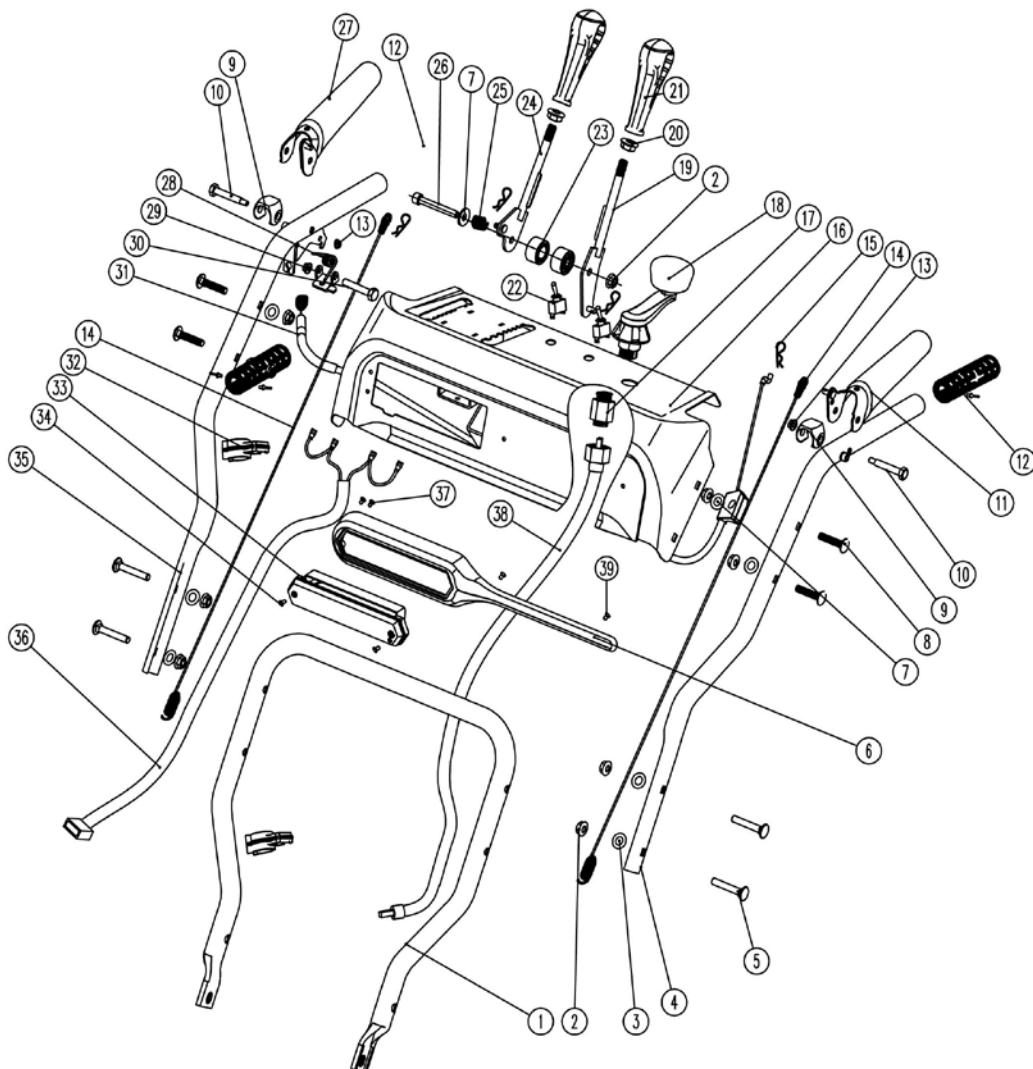


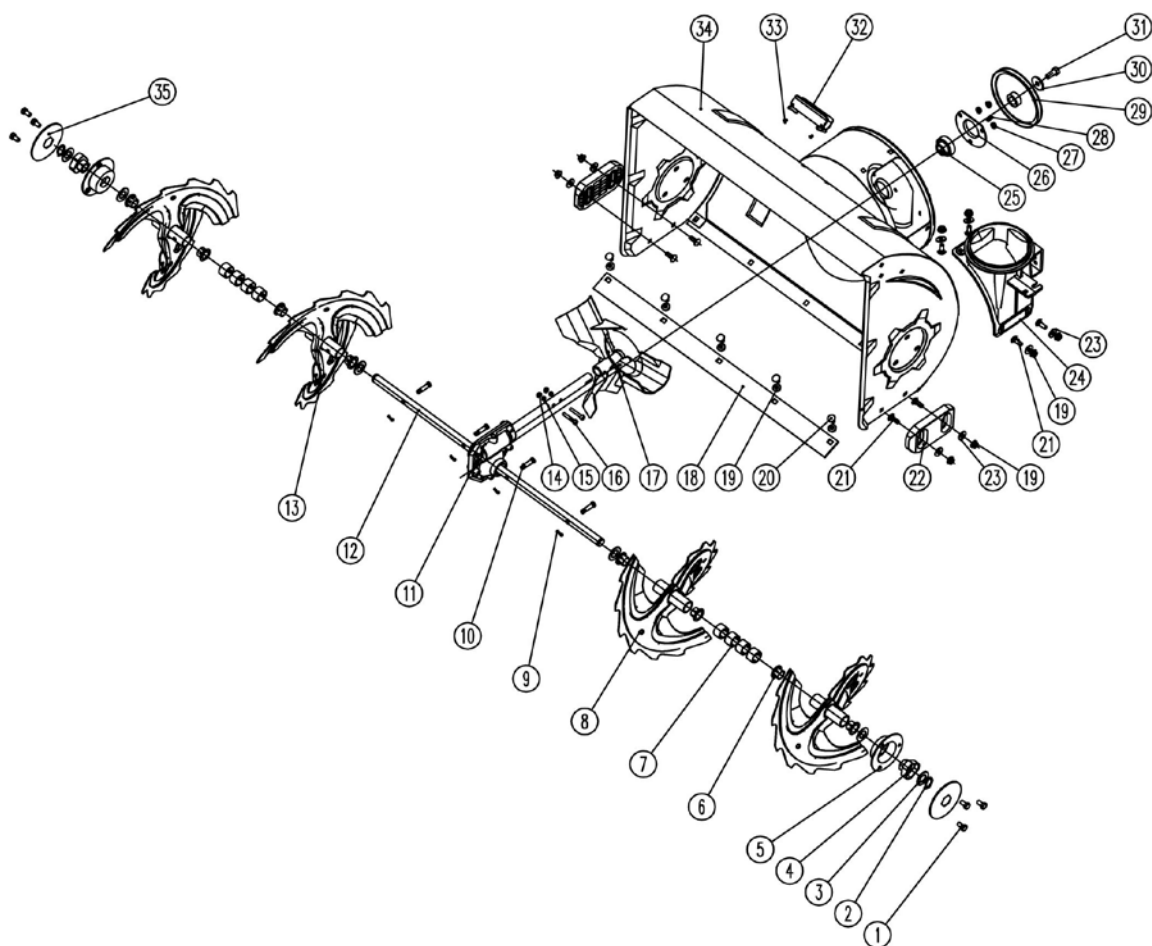
Item	Part No.	Description (CN)	Description (EN)	QTY
1	KC55-29	B型销	cap 9	1
2	GB/T95-2002	平垫圈 8	flat washer 8	1
3	KCD24-14	连杆	connect rod	1
4	GB/T9074.17-1988	六角头组合螺栓M10X25	bolt M10x25	2
5	GB/T9074.17-1988	六角头组合螺栓M10X45	bolt M10x45	2
6	KC30A-05-4	出雪口帽拉线	deflector cable	1
7	GB/T 6563-1986	六角头自攻锁紧螺钉M6X16	screw M6x16	2
8	GB/T96.2-2002	平垫圈 6	washer for belt cover	2
9	KCD24-08	皮带罩	belt cover	1
10	GB/T 6183.1-2000	六角法兰面锁紧螺母M8	nut M8	4
11	KCD24-09	小号出雪口	chute	1
12	KC55-24	雪锹	snow shovel	1
13	GB/T12-1988	半圆头方颈螺栓M8X20	bolt M8x20	3
14	KCD24-13	齿盘	gear plate	1
15	GB/T 818-2000	十字槽盘头镙钉M6X20	screw M6x20	6
16	GB/T 6183.1-2000	六角锁紧螺母M6	nut M6	6
17	KCD24-10	出雪口固定块	fixing plate for chute	3
18	GB/T9074.17	六角头组合螺栓M8X25	bolt M8x25	2
19	KCD24-11A	皮带档杆大马力	belt rod	1
20	3LXP880	三角带	belt 3LXP880	1
21	GB/T 6563-1986	六角头自攻锁紧螺钉M8X16	screw M8x16	6
22	KC21-09B	旋转件支架	rotator support	1
23	KC21-20	连接件	connecting part	1
24	GB/T879-2000	弹性圆柱销3X18	pin 3x18	1
25	KC21-07B	螺旋焊接件	welded rotator	1
26	GB/T 818-2000	十字槽盘头螺钉 M5X10	screw M5x10	2
27	KC21-19	旋转件盖	rotator cover	1
28	GB/T12-1988	半圆方颈螺栓 M8X25	bolt M8x25	1
29	KC21-22	支架垫圈	support washer	1
30	KCW-02	复合式收尾扣帽10	cap 10	1

31	GB/T5287-2002	大垫圈8	big washer 8	2
----	---------------	------	--------------	---



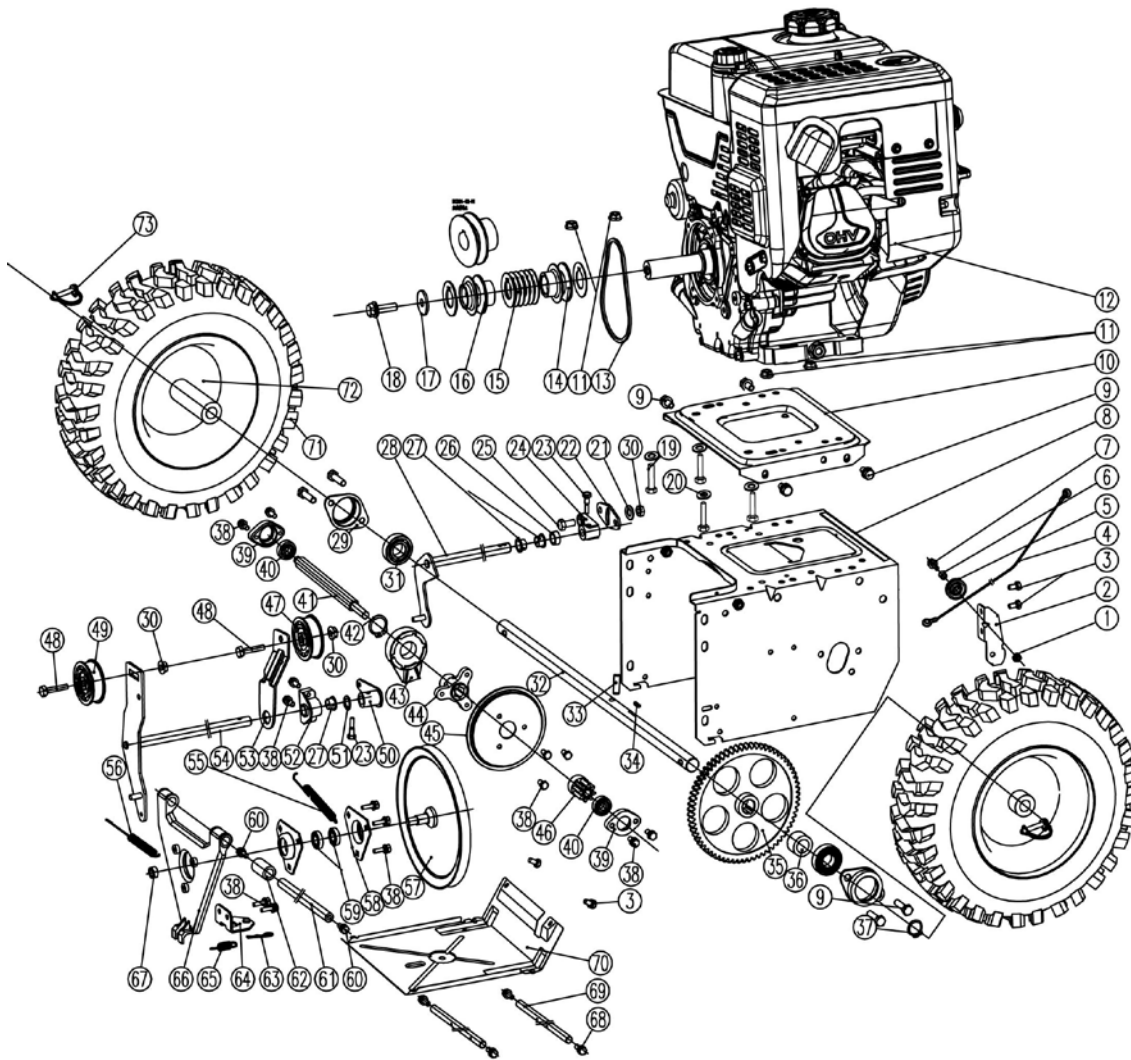
Item	Part No.	Description (CN)	Description (EN)	QTY
1	KCD21-03-01	下扶手	lower handle	1
2	GB/T889.1-2000	六角锁紧螺母M8	nut M8	9
3	S070047	弧形垫片8	washer 8	7
4	KCD21-03-02A	上扶手(左)焊接	upper handle (left)	1
5	GB/T37-1988	半圆头方颈螺栓M8X40	bolt M8x40	7
6	KCD24-03-02	新DIY 灯罩	light cover	1
7	GB/T96.2-2002	大垫圈8	washer 8	2
8	GB/T12-1988	半圆头方颈螺栓M8X45	bolt M8x45	1
9	KC21-03C-08	手柄垫	lever washer	2
10	KC21-03C-2	手柄螺栓	lever bolt	2
11	KCD24-03-03	左控制手柄	left control lever	1
12	KC90-04-04A	电热手柄	heated handgrip	2
13	GB/T 6183.1-2000	六角法兰面锁紧螺母M6	nut M6	3
14	KC21-03C-1A	长拉线	long cable	2
15	S03*00493	B型销%%c1.5x25	B pin 1.5x25	4
16	KCD24-03-04C	控制面板	panel	1
17	KC30-03-23	摇杆下固定座	lower fixing seat for rotator	1
18	KC30-03-32	铝旋转组件	rotator	1
19	KCD24-03-05	控制手柄	deflector lever	1

20	QC/T864-2011	六角法兰面带齿螺母M10	nut M10	2
21	KC30-03(M1)-2	档位手柄	gear handle	2
22	ASW-07D	新款带指示灯拨动开关(15A)	switch (with cover)	2
23	KC55-03-05-6	短套	short sleeve	2
24	KCD24-03-06	行走手柄杆	walk lever	1
25	KC55-03-04A	预紧弹簧	preset spring	1
26	GB/T 70.1-1985	内六角圆柱头螺钉 M8X120	screw M8x120	1
27	KCD24-03-07	右控制手柄	right control lever	1
28	KC21-03C-10A	止动扭簧	stopper spring	1
29	KCD24-03-08	止动件	stopper	1
30	GB/T5780-2000	六角头螺栓 C级M6*35	bolt C M6x35	1
31	KC21-03C-12A	单手拉线	one hand control cable	1
32	KC30-20	25#线扣	cable clip	2
33	KC21-03-15	长条灯	LED light	1
34	GB/T845-1985	十字槽盘头自攻螺栓ST3.5X16F	screw ST3.5x16-F	2
35	KCD21-03-04A	上扶手（右）焊接	upper handle (right)	1
36	KC30-03-14	输入电线	electric wires	1
37	GB/T845-1985	十字槽盘头自攻螺栓ST3.5*13-F	screw ST3.5x13-F	3
38	KC30-03-22A	软轴组件	soft shaft	1
39	GB/T845-1985	十字槽盘头自攻螺栓ST3.5*9.5-F	screw ST3.5x9.5-F	1



Item	Part No.	Description (CN)	Description (EN)	QTY
1	GB/T9074.22-1988	六角头自攻锁紧螺栓 M8X16	bolt M8x16	6
2	GB/T894.1-1986	轴用弹性挡圈19	circlip 19	2
3	KCD24-01-01	φ 31X φ 19.5X1.8垫片	washer 31x19.5x1.8	6
4	KCD24-01-02	侧板轴承	bearing	2
5	KCD24-01-03	轴承盖	bearing cover	2
6	KCD24-01-04	塑料卡圈	plastic circlip	8
7	KCD24-01-05	塑料加长垫圈	plastic washer	8
8	KCD24-01-06	左蛟龙	left auger	2
9	KC55-29	B型销	B pin	4
10	KC21-01-03	安全销	safety bolt	4
11	KCD24-01-07	涡轮箱	gear box	1
12	KCD24-01D-08	输出轴(30寸)	output shaft 30inch	1
13	KCD24-01-09	右蛟龙	right auger	2
14	GB/T6182-2000	非金属嵌件六角锁紧螺母M6	nut M6	2
15	GB/T 859	%%C6 弹性垫圈	elastic washer	2
16	GB/T 70.1-2000	内六角圆柱头螺栓 M6X40	bolt M6x40	2
17	KCD26-01-02D	中号风扇焊接件	fan	1
18	KC90.01-02	长档板(742)	shave plate 30inch	1
19	GB/T889.1-2000	六角锁紧螺母M8	nut M8	13
20	GB/T12-1988	半圆头方颈螺栓M8X16	bolt M8x16	5

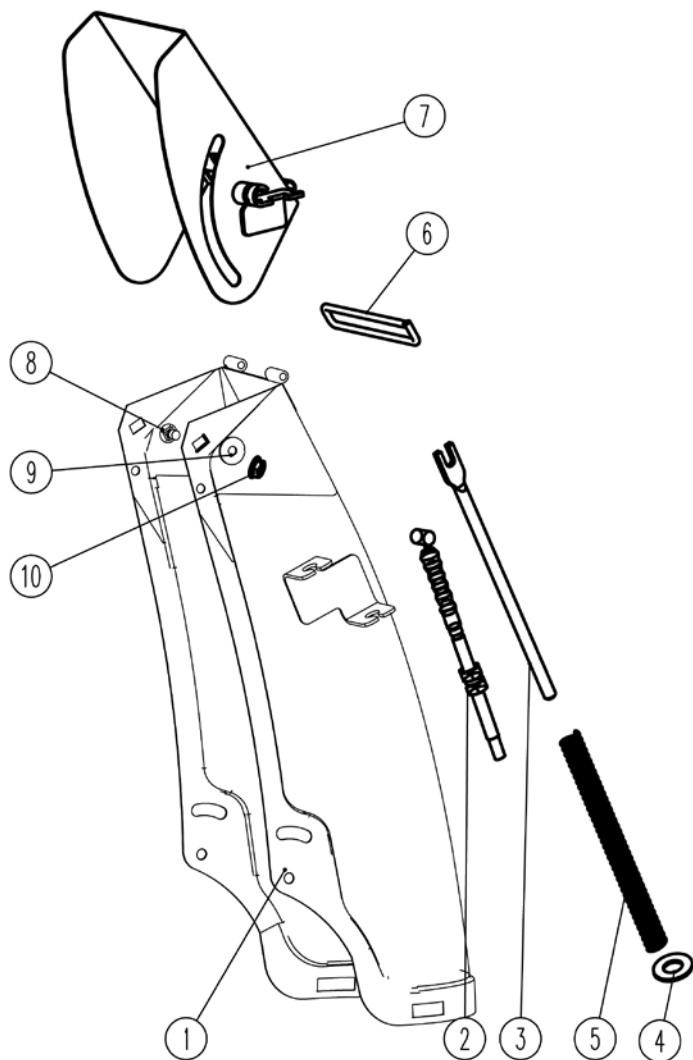
21	GB/T12-1988	半圆头方颈螺栓M8X20	bolt M8x20	8
22	KC26-01-02	滑撬	skid shoe	2
23	GB/T96.1-2002	大垫圈 8	washer 8	8
24	KCD24-01-10	出雪口座	chute seat	1
25	SB204	球面深沟球轴承SB204	bearing SB204	1
26	KC55-01-22	圆底盖	round plate	1
27	DIN6927	六角法兰面锁紧螺母M8	nut M8	3
28	GB/T 1096-1979	平键A6X6X20	flat key A6x6x20	1
29	KCD24-01-13	皮带轮	belt pulley	1
30	KCD24-01-15	碗型弹性垫片 10X28X2	washer 10X28X2	1
31	GB/T 5780-2000	六角头螺栓M10X25	bolt M10x25	1
32	KC55-01-21	雪锹架	shovel seat	1
33	GB/T845-1985	十字盘头自攻螺钉ST4.2X9.5-F	screw ST4.2x9.5-F	2
34	KCD24-01D-11	大罩壳30寸	housing 30inch	1
35	KCD24-01-14	50 垫片	washer 50	2



Item	Part No.	Description (CN)	Description (EN)	QTY
1	GB/T899.1-2000	六角锁紧螺母M6	Nut M6	1
2	KCM24-02C-19	滑轮座	pulley seat	1
3	GB/T 6563-1986	六角头自攻锁紧螺钉M6X12	Screw M6x12	4
4	KC21-02C-01A	短拉线	short cable	1
5	KC40-28	滑轮	pulley	1
6	KC21-02-02	轴套	shaft sleeve	1
7	GB/T5780-2000	六角头螺栓M6X20	bolt M6x20	1
8	KCD21-02-01A	箱体组件	transmission case	1
9	GB/T 6563-1986	六角头自攻锁紧螺钉M8X16	screw M8x16	8
10	KC21-02C-03	发动机座	engine seat	1
11	DIN6927	六角法兰面锁紧螺母M8	nut M8	4
12	LC185	汽油机	engine	1
13	3LXP755	三角皮带	belt 3LXP825	1
14	KC21-02-26C	主动轮	drive pulley	1
15	KC21-02-36	大马力带轮垫	washer for big engine pulley	9
16	KC21-02-26B	主带轮3	drive pulley 3	1
17	GB/T5287-2002	特大垫圈10	big washer 10	1
18	GB/T5786-2000	六角头螺栓M10X1X30	bolt M8x1x30	1
19	GB/T5780-2000	六角头螺栓M8X40	bolt M8x40	4

20	KCL21-02C-18	垫片	washer	4
21	GB/T95-2002	平垫圈 8	flat washer 8	1
22	KC21-02-05	档位调节板	gear plate	1
23	GB/T9074.17-2000	六角头螺栓M6X20	bolt M6x20	2
24	KC21-02-06A	档位接头	gear connector	1
25	GB/T5780-2000	六角头螺栓M8X20	bolt M8x20	3
26	KC21-02-34	垫套	washer	1
27	KC90-02-07	塑料轴套	plastic shaft sleeve	3
28	KC55-02-05	拨叉	fork lift	1
29	KC90-02-11	菱形轴承座	bearing seat	2
30	GB/T899.1-200	六角锁紧螺母M8	nut M8	3
31	GB/T276-1997	深沟球轴承6304	bearing 6304	2
32	KC21-02C-06C	14寸驱动轴	shaft 13inch	1
33	GB/T879.2-2000	弹性圆柱销%%C6X30	pin 6x30	1
34	GB/T1905-2003	平键6X6X22	flat key 6x6x22	1
35	KC21-02C-07	大齿轮	big gear	1
36	KC21-02C-08	轴套	shaft sleeve	1
37	GB894.2-86	轴用弹性挡圈20	circlip 20	1
38	GB/T9074.13-1988	六角头组合螺栓M6X16	bolt M6x16	14
39	KC21-02-33	内轴承座	inner bearing seat	2
40	GB/T276-1994	深沟球轴承6000-ZN	bearing 6000-ZN	2
41	KC21-02-24	六角轴	hexagon axis	1
42	GB/T894.1-1986	轴用弹性挡圈25	circlip 25	1
43	KC21-02-13	拨动轴承	shift bearing	1
44	KC21-02-12B	橡胶轮座	seat for rubber ring	1
45	KC21-02-11A	橡胶轮	rubber ring	1
46	KC21-02-25	齿轮	gear	1
47	KC55-02-21A	小张紧轮	small tension pulley	1
48	GB/T5780-2000	六角头螺栓M8X30	bolt M8x30	2
49	KC55-02-21	小张紧轮	small tension pulley	1
50	KC30A-02-31	张紧接头	tension connector	1
51	GB/T955-1987	波形弹簧垫圈%%C12	spring washer 12	1
52	KC21-02C-09	固定块	fix plate	1
53	KC21-02C-10	小张紧板	small tension plate	1
54	KC21-02C-11A	大张紧组件	big tension plate	1
55	KC90-02-15	弹簧	spring	1
56	KC21-02C-12	刹车拉簧	brake spring	1
57	KC21-02C-13	皮带轮	belt pulley	1
58	KC90-02-12	三角轴承座	bearing seat	2
59	GB/T276-1997	深沟球轴承6002	bearing 6002	2
60	GB/T9074.13-1988	六角头组合螺栓M8X16	bolt M8x16	2
61	KC90-02-31	支撑杆	support rod	1
62	KC55-02-10	隔套	bushing	2
63	S03*00493	B型销%%C1.5X25	B pin 1.5x25	1
64	KC21-02C-14	连接板组件	connecting plate	1
65	KC21-02C-17	回位弹簧	reset spring	1
66	KC21-02C-15	摩擦盘支座	support plate for friction disc	1
67	GB/T899.1-2000	六角锁紧螺母M12	nut M12	1
68	GB/T 6563-1986	六角头自攻锁紧螺钉M6X16	screw M6x16	4
69	KC30A-02-30	支撑杆	support rod	2

70	KC21-02C-16B	箱体底板	bottom plate for transmissio	1
71	14X4.60-6	14寸轮胎	tyre 14x4.6-6	2
72	KC21-02-27C	轮毂	rim 14inch	2
73		D型销 6X40	D pin 6x40	2



Item	Part No.	Description (CN)	Description (EN)	QTY
1	KCD24-09-01	出雪口焊接组件	Chute welded	1
2	KC30A-05-4	出雪口拉线	delfector cable	1
3	KC30A-05-3	支杆	support	1
4	GB/T96.2-2002	大垫圈8-C级	big washer C8	1
5	KC30A-05-2	出雪口弹簧	chute spring	1
6	KCD24-09-02	铰链轴	hinge shaft	1
7	KCD24-09-03	出雪口帽焊合	delfector welded	1
8	GB/T12-1988	半圆头方颈螺栓 M6X16	bolt M6x16	1
9	GB/T95-2002	大垫圈6-C级	bu	1
10	GB/T 6183.1-2000	六角法兰面防松螺母M6	washer C6	1