

# STIGA

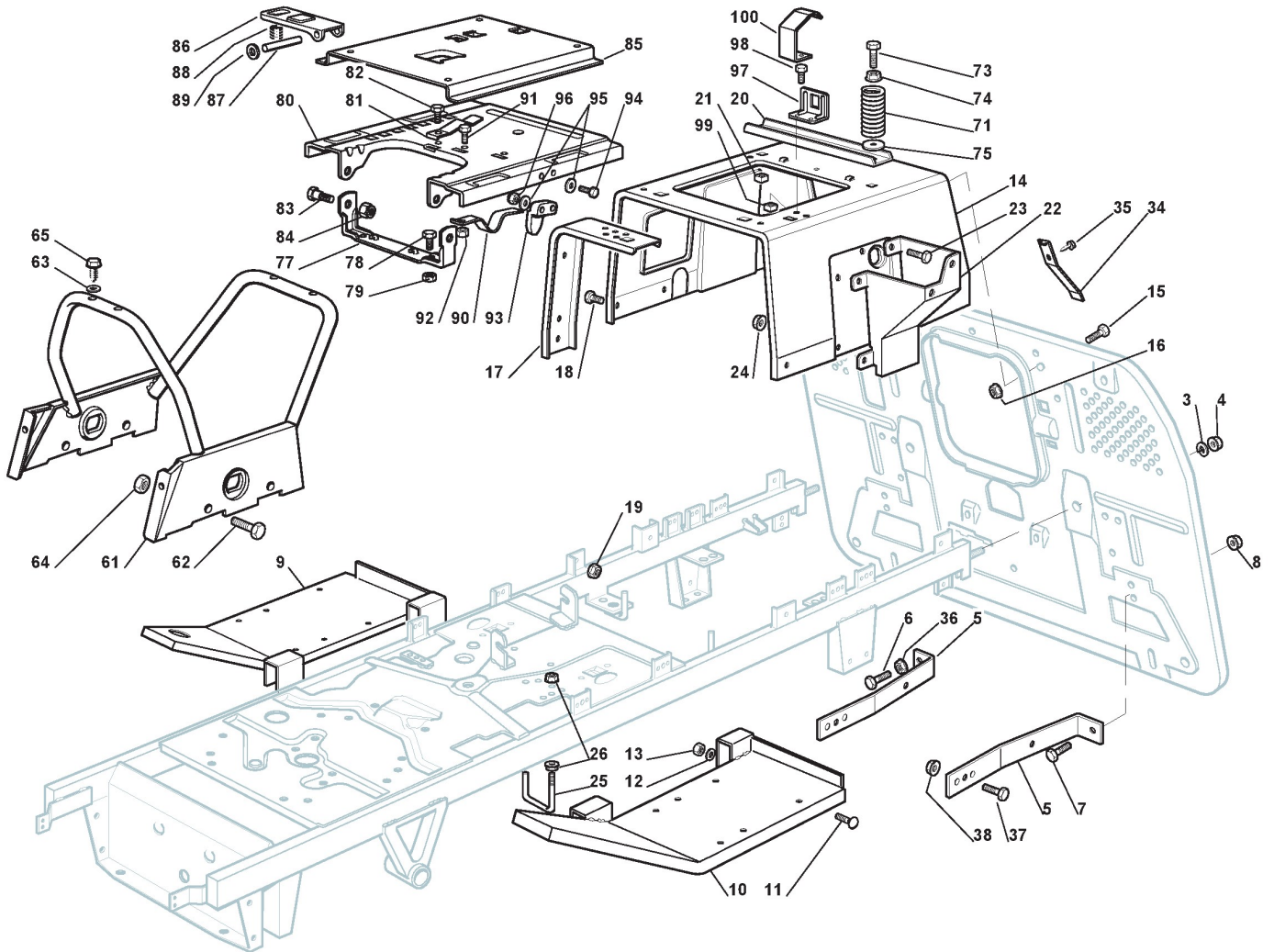
## ESTATE ROYAL (2010)

2T0950281/10

### **Spare parts list** **Reservdelar** **Repuestos** **Ersatzteile** **Pièces détachées** **Reserve onderdelen** **Catalogo ricambi**

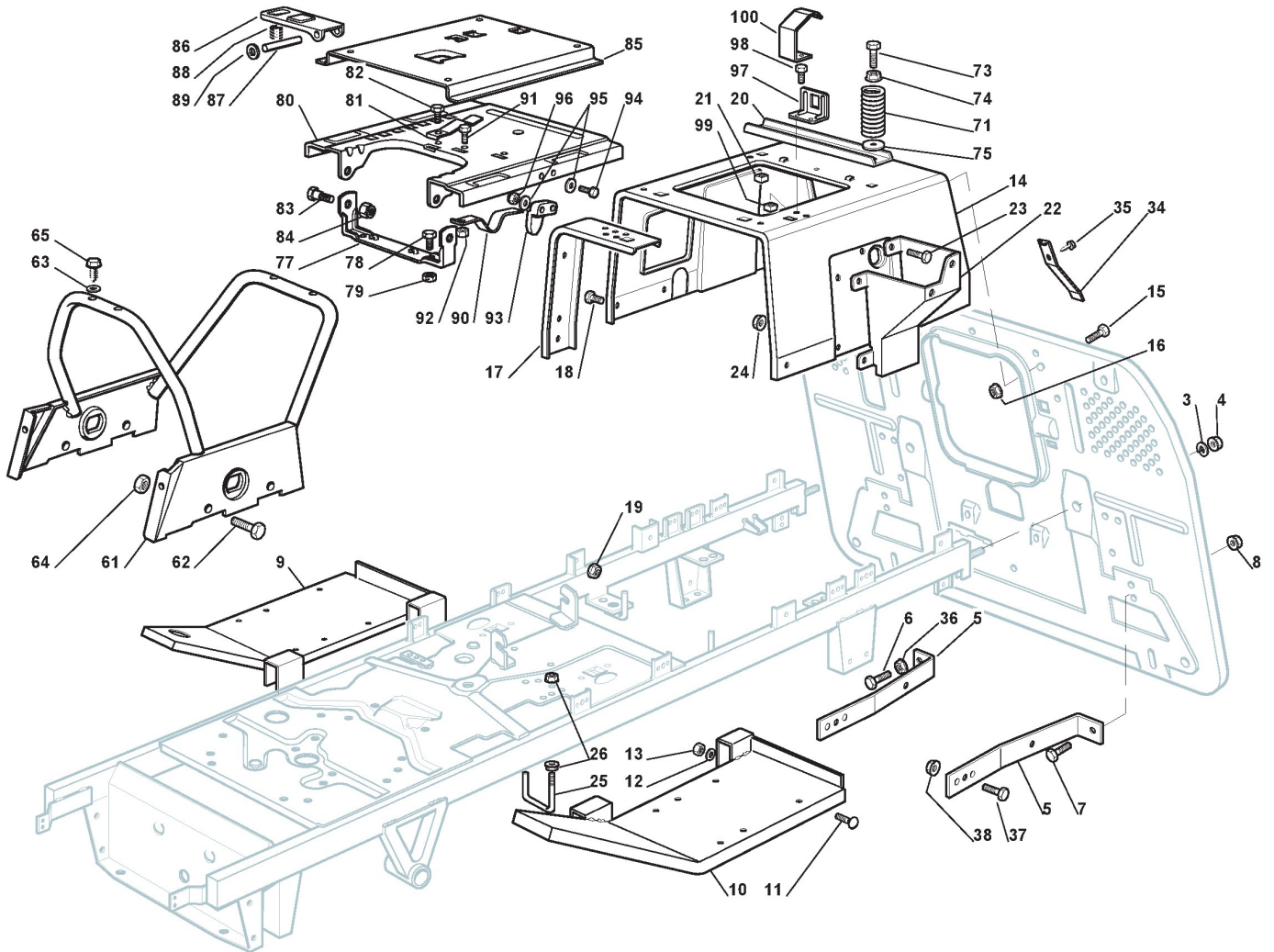
- Use ST. S.p.A. Genuine Spare Parts specified in the parts list for repair and/or replacement.
- The contents described in the parts list may change due to improvement.
- The drawings of the spare parts are only indicative And might Not represent the part in question exactly.
- The indications "right" - "left" - "front" - "rear" refer to the position of the operator when using the machine.
- When placing orders of parts for repair And/Or replacement, make sure that the illustrated parts list Is the one applying to the machine's year of manufacture, as shown on the identification plate attached to the machine.

All rights reserved. No part Of this material may be reproduced Or transmitted, in any form Or by any means, electronic Or mechanical, including photocopying, recording Or by any information storage And retrieval system, without permission in writing from ST. S.p.A.



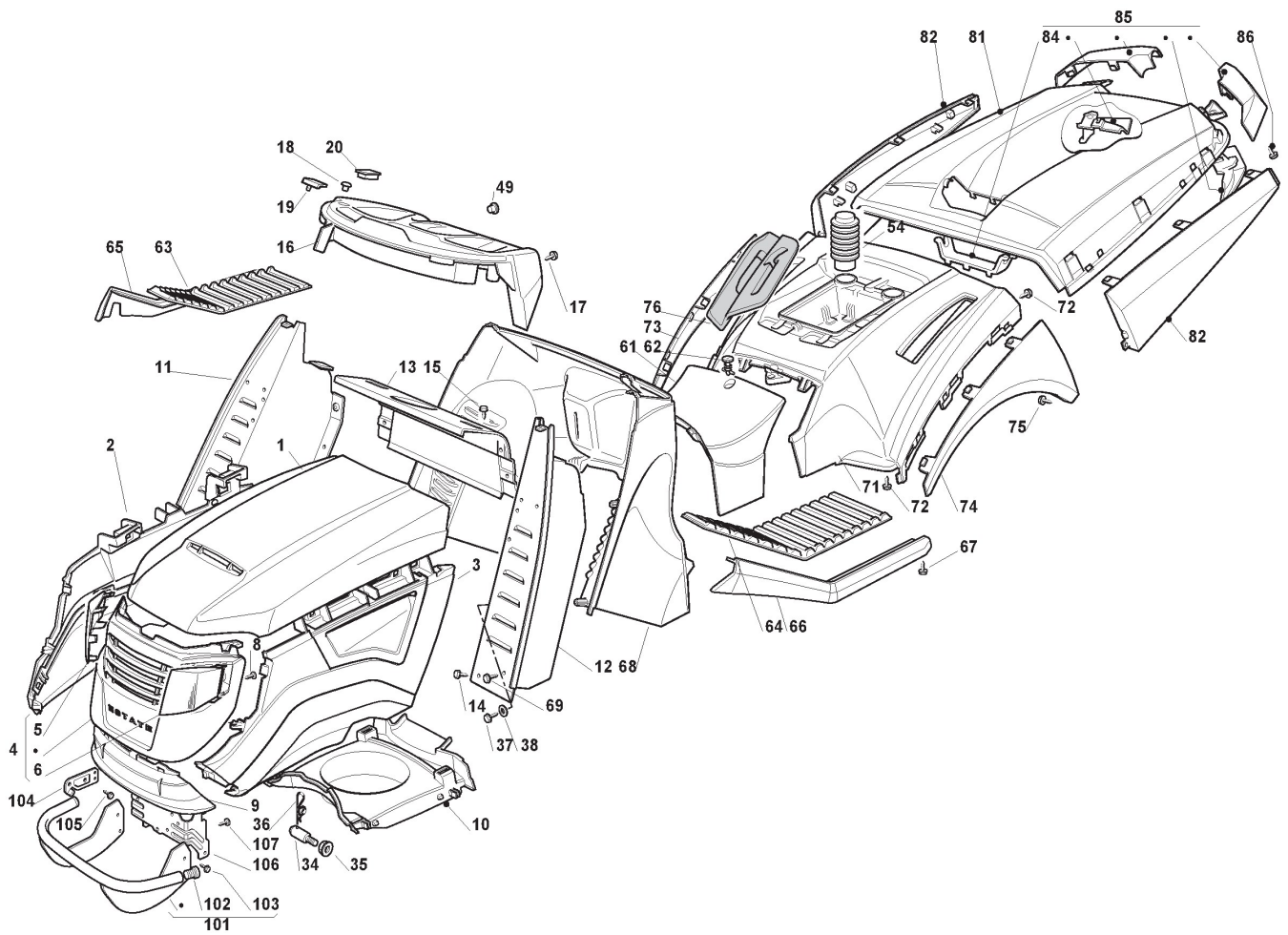
## Chassis

Ref.nr.	Qty	Item number	Description	Notes	From	Up to
3	2	112585100/0	Washer			
4	2	112295200/0	Nut			
5	2	325774273/1	Stiffening			
6	1	112691100/0	Screw			
7	3	112793102/0	Screw			
8	4	112293201/0	Nut			
9	1	382510041/2	Right Footboard Support			
10	1	382510043/2	Left Footboard Support			
11	4	112815245/0	Screw			
12	4	112523040/0	Washer			
13	4	112154510/0	Nut			
14	1	325785133/4	Seat Support			
15	5	112791011/0	Screw			
16	5	112292102/0	Nut			
17	2	325650065/0	Stiffening			
18	6	112791011/0	Screw			
19	6	112292102/0	Nut			
20	1	325650067/0	Stiffening			
21	2	112360420/0	Nut			
22	1	325785137/1	Support			
23	4	112791011/0	Screw			
24	4	112292102/0	Nut			
25	1	125580019/0	Belt Guide Peg			
26	2	112292102/0	Nut			
34	1	125430238/0	Spring			
35	1	112731580/0	Screw			
36	1	112293200/0	Nut			
37	2	112793102/0	Screw			
38	2	112293201/0	Nut			
61	1	382650041/1	Chassis			
62	4	112792611/0	Screw			
63	4	112521330/0	Washer			
64	4	112293201/0	Nut			
65	4	112731350/0	Screw			
71	2	125430205/1	Spring			
73	2	125943001/0	Screw			
74	2	112293201/0	Nut			
75	2	112523070/0	Washer			
77	1	382774207/0	Seat Clamp Support			
78	2	112792611/0	Screw			
79	2	112293201/0	Nut			
80	1	325785149/2	Fixed Seat Support			
81	1	125430203/0	Spring			
82	1	112731580/0	Screw			
83	2	122524970/2	Fulcrum Pin			
84	2	112155010/0	Nut			
85	1	325785147/0	Seat Support	To 31-August-2009		
85	1	325785147/1	Seat Support	From 01-September-2009		



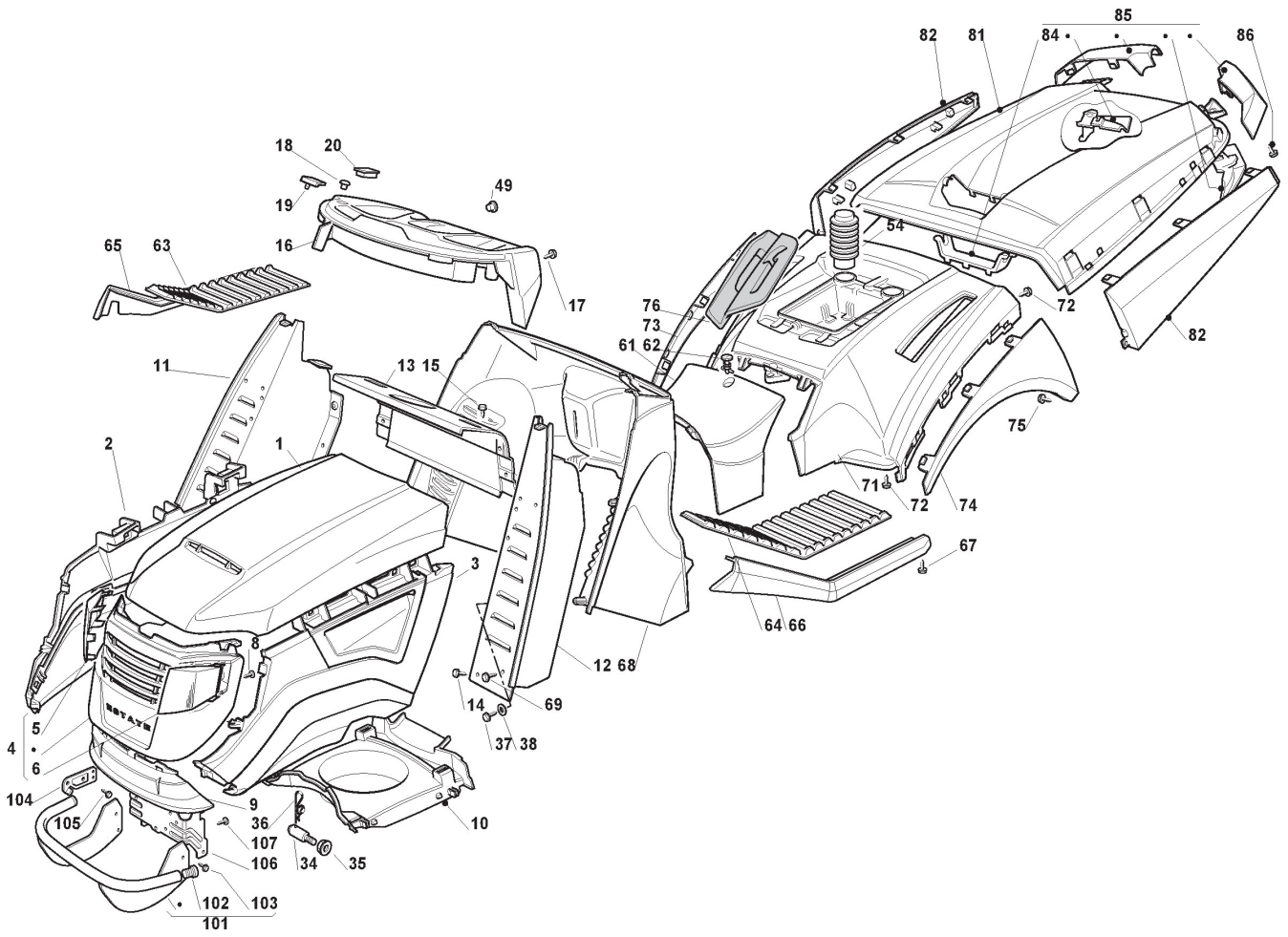
## Chassis

Ref.nr.	Qty	Item number	Description	Notes	From	Up to
86	1	325318109/0	Stop Lever			
87	1	125510000/0	Pin			
88	1	125430202/0	Spring			
89	2	112604897/0	Elastic Washer			
90	1	125430223/2	Spring	From 01-September-2003		
90	1	25430223/1	Spring	To 31-August-2003		
91	1	112789000/0	Screw			
92	1	112154330/0	Nut			
93	1	325060033/0	Seat Switch Cam			
94	2	112815050/0	Screw			
95	4	112521320/0	Washer			
96	2	112154330/0	Nut			
97	1	325755025/1	Bracket			
98	2	112735110/0	Screw			
99	2	112437502/0	Plate			
100	1	325430255/0	Spring			



# Body

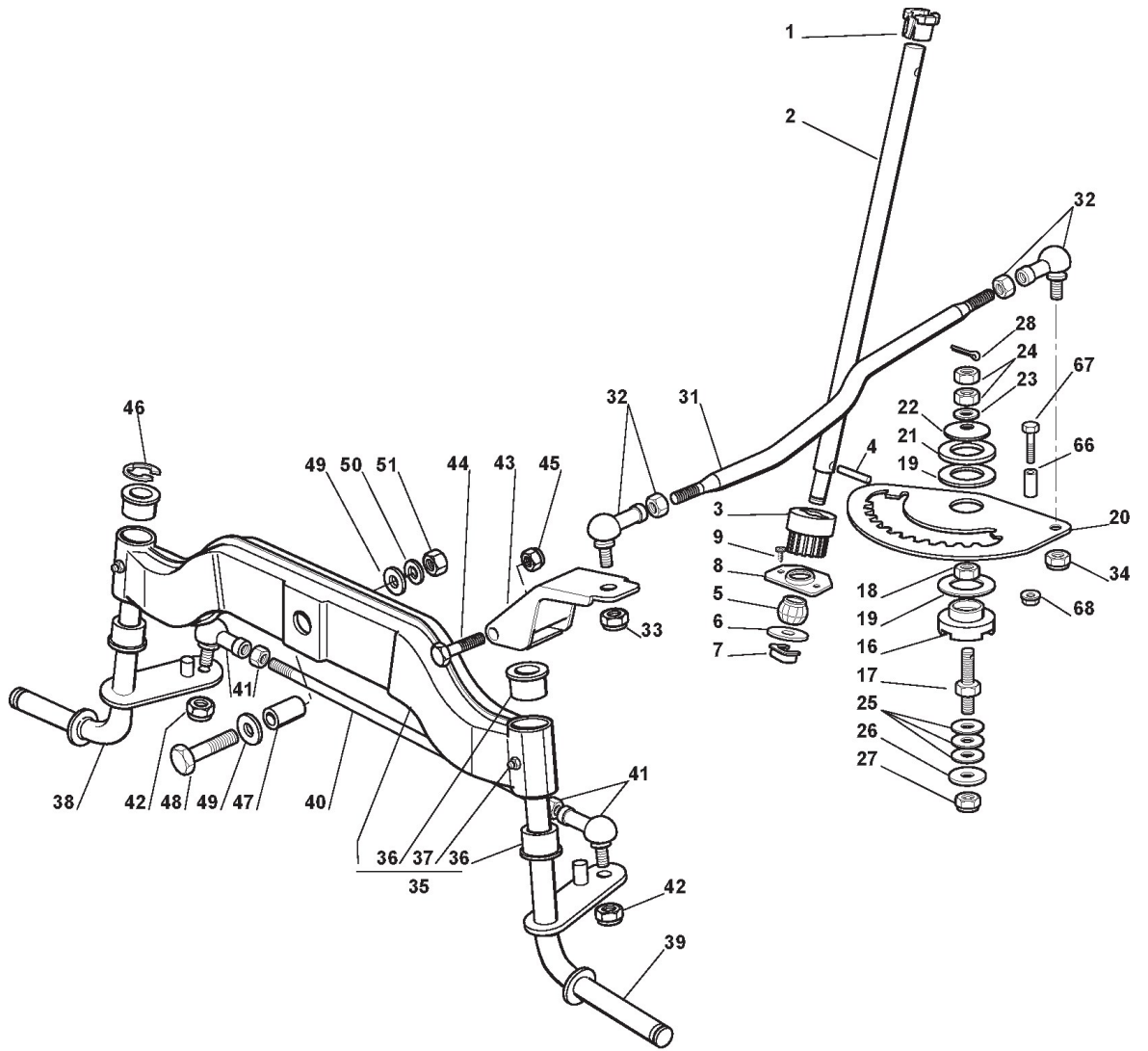
Ref.nr.	Qty	Item number	Description	Notes	From	Up to
1	1	325076866/0	Upper Engine Hood, Yellow			
2	1	382394611/0	Hood, Right			
3	1	382394612/0	Hood, Left			
4	1	382394610/0	Grey Hood, Front			
5	1	325410876/0	Right Grill			
6	1	325410877/0	Left Grill			
8	6	112735403/0	Screw			
9	1	325076865/0	Lower Grey Hood, Front			
10	1	325108031/0	Conveyor			
11	1	382785022/8	Right Dashboard Support	To 31-August-2011		
11	1	382785022/9	Right Dashboard Support	From 01-September-2011		
12	1	382785021/7	Left Dashboard Support	To 31-August-2011		
12	1	382785021/8	Left Dashboard Support	From 01-September-2011		
13	1	382785023/1	Central Dashboard Support	To 31-August-2003		
13	1	382785137/0	Central Dashboard Support	From 01-September-2003		
14	2	112735110/0	Screw			
15	4	112735110/0	Screw			
16	1	325120198/1	Black Dashboard			
17	4	112728440/0	Screw			
18	2	125120200/0	Cap			
19	2	125260000/0	Grommet			
34	2	125510068/0	Pin			
35	2	112293201/0	Nut			
36	1	124487998/0	Cotter Pin			
37	2	112731350/0	Screw			
38	2	112521330/0	Washer			
49	1	325120233/0	Cap			
54	2	325737002/0	Hood			
61	1	325110307/0	Cover (Hydro)			
62	1	125580020/0	Belt Guide Peg	To 31-August-2010		
62	1	125580020/2	Stake	From 01-September-2010		
63	1	325110278/1	Right Footboard Cover			
64	1	325110279/0	Left Footboard Cover			
65	1	325599000/0	Right Profile Grey			
66	1	325599001/0	Left Profil			
67	6	112731580/0	Screw			
68	1	325785231/1	Dashboard Support			
69	7	112735403/0	Screw			
71	1	25109754/0	Wheels Cover			
72	4	112735402/0	Screw			
73	1	325109753/0	Right Wheel Cover			
74	1	325109752/0	Left Wheel Cover			
75	2	112728686/0	Screw			
76	1	325207129/0	Cover, Can Holder			
81	1	325110308/0	Grass-Catcher Cover			
82	1	382110255/0	Cover Assy			
84	1	325394009/0	Handle Cover			
85	1	382110259/0	Angles Assy			





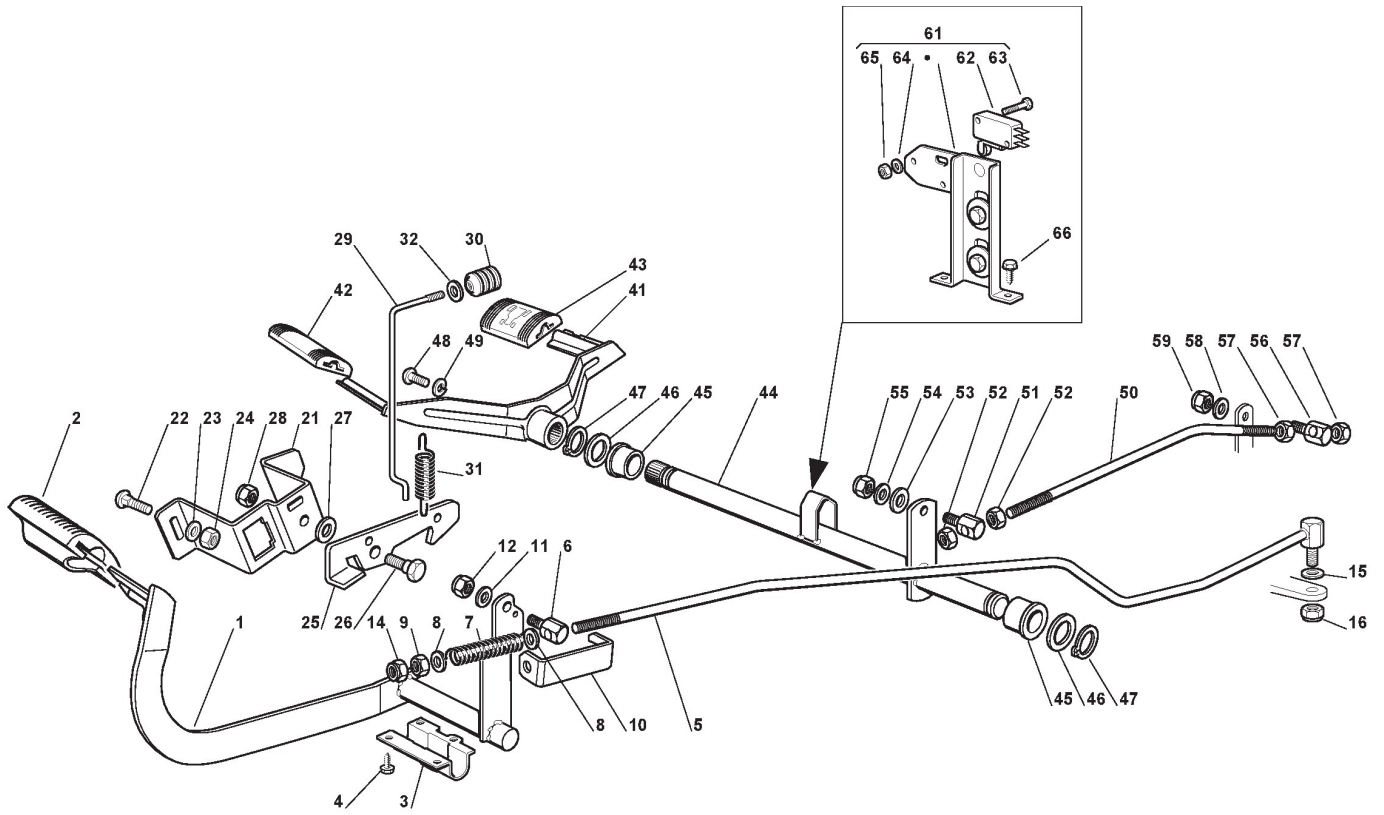
## Body

Ref.nr.	Qty	Item number	Description	Notes	From	Up to
86	4	112735403/0	Screw			
101	1	382869025/0	Muffler Protection			
102	2	118737860/0	Cap			
103	4	112734995/0	Screw			
104	2	325547159/1	Plate			
105	4	112731580/0	Screw			
106	1	325774301/1	Engine Hood Support			
107	5	112735403/0	Screw			



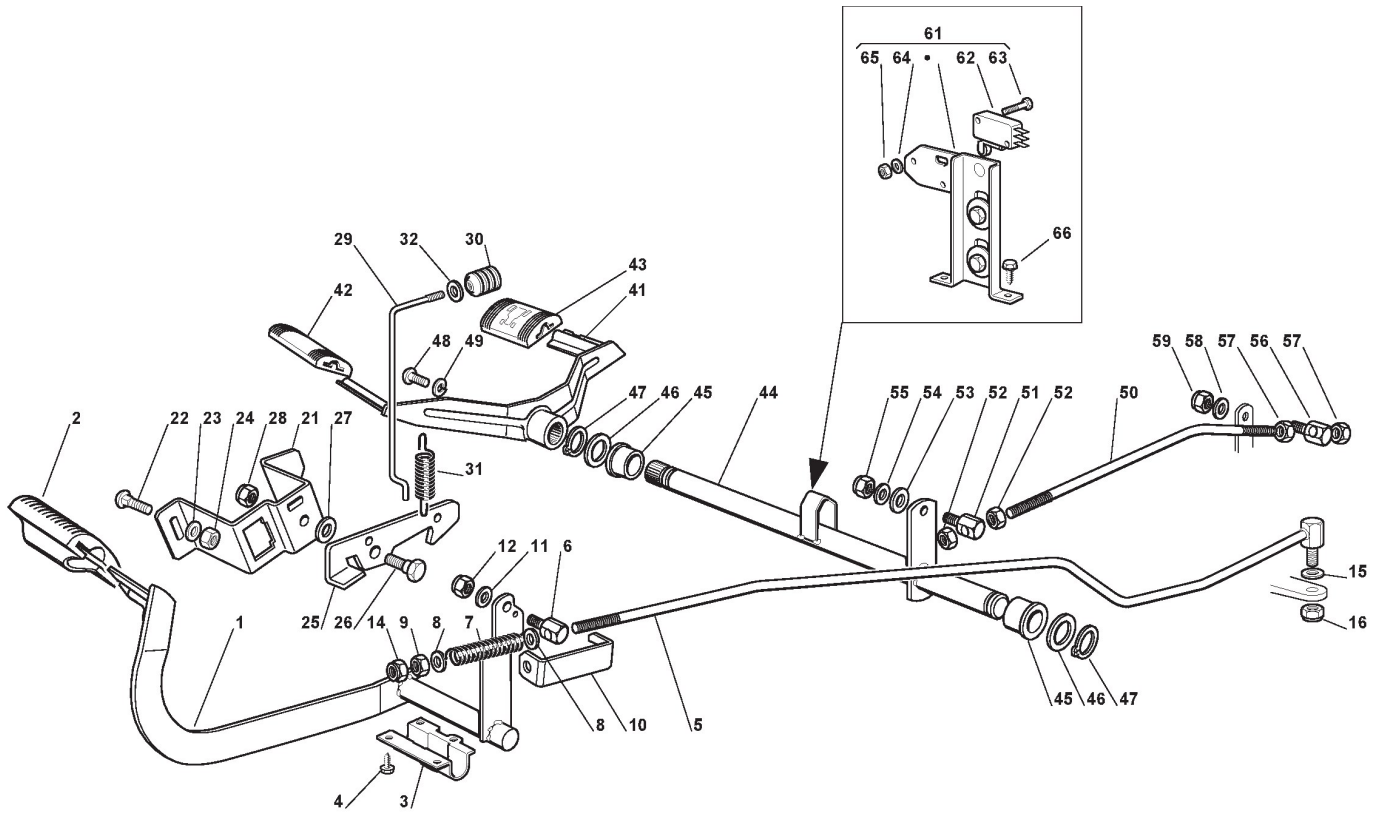
## Steering

Ref.nr.	Qty	Item number	Description	Notes	From	Up to
1	1	325038004/0	Bushing			
2	1	125520005/0	Steering Column			
3	1	125570000/2	Pinion			
4	1	112622650/0	Dowel pin			
5	1	325743000/0	Joint			
6	1	112521370/0	Washer			
7	1	112436030/0	Plate			
8	1	325785213/0	Teering Joint Support			
9	2	112729601/1	Screw			
16	1	125040617/0	Bushing			
17	1	125510065/1	Pin			
18	1	112295200/0	Nut			
19	2	325670012/0	Washer			
20	1	325735507/0	Steering Sector			
21	1	325670014/0	Washer			
22	1	122160400/0	Elastic Disc			
23	1	112521360/0	Washer			
24	2	112295200/0	Nut			
25	3	322672150/0	Antifriction Washer			
26	1	112523080/0	Washer			
27	1	112156602/0	Nut			
28	1	112141418/0	Cotter Pin			
31	1	125033003/1	Steering Rod			
32	2	122746600/0	Joint			
33	1	112156602/0	Nut			
34	1	112156602/0	Nut			
35	1	382034001/3	Equalizer With Bush And Lubricator			
36	4	125034002/1	Bushing			
37	2	112379511/0	Grease Dispenser			
38	1	382230361/0	Right Stub Axle			
39	1	382230359/0	Left Stub Axle			
40	1	325840001/0	Tie Rod			
41	2	122746600/0	Joint			
42	2	112156602/0	Nut			
43	1	382318185/0	Lever Ass.Y			
44	1	112692395/0	Screw			
45	1	112155000/0	Nut			
46	1	112001000/0	Benzing Ring			
47	1	125160005/0	Spacer			
48	1	112694100/0	Screw			
49	2	112521390/0	Washer			
50	1	112587900/0	Grower			
51	1	112295800/0	Nut			
66	1	122167840/0	Spacer			
67	1	112691200/0	Screw			
68	1	112293201/0	Nut			



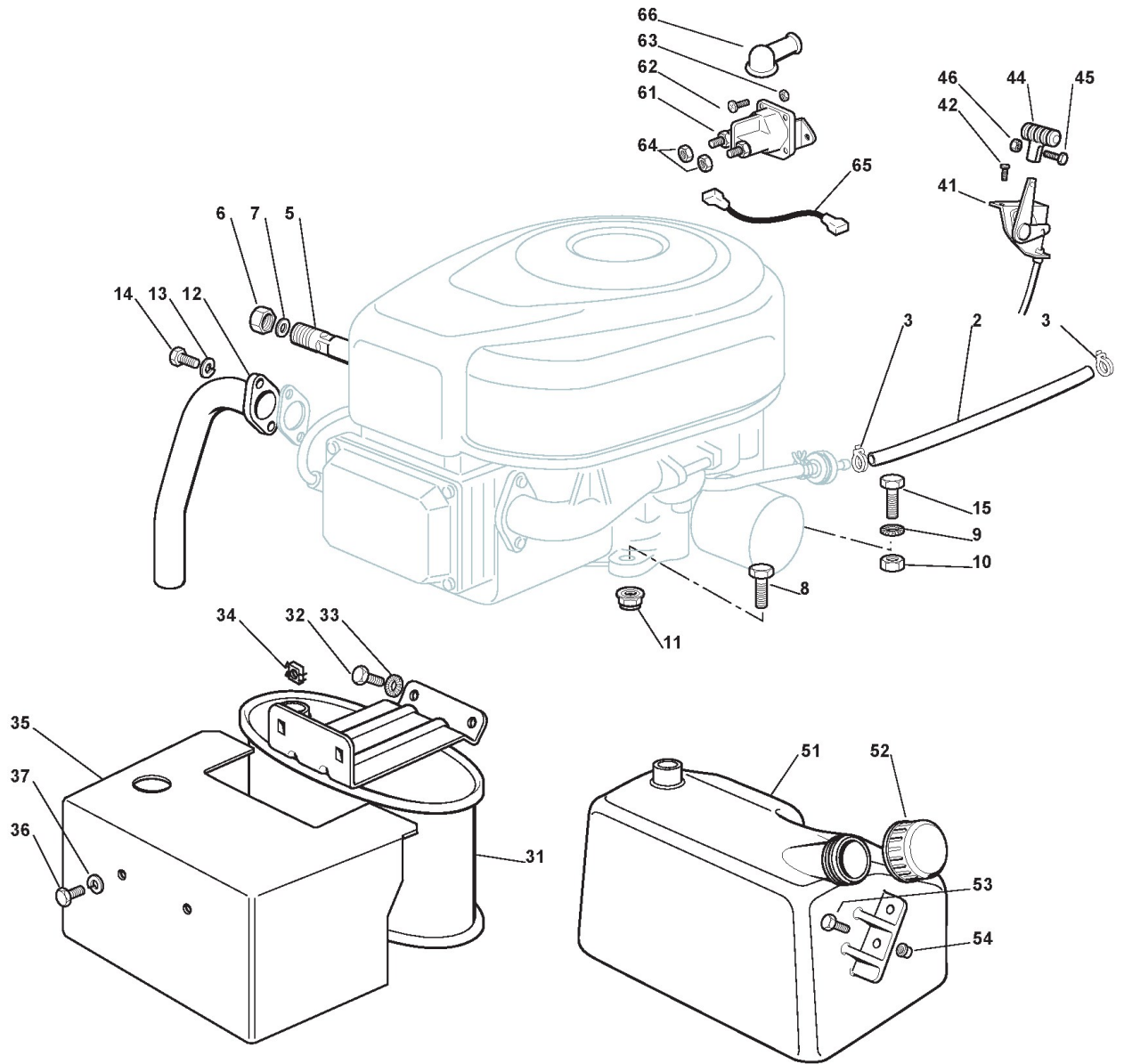
## Brake And Gearbox Controls

Ref.nr.	Qty	Item number	Description	Notes	From	Up to
1	1	382500011/2	Pedal	From 01-September-2004		
1	1	82500011/1	Pedal (Hydro)	To 31-August-2004		
2	1	125110267/0	Clamp Cover			
3	1	25547081/0	Plate	To 31-August-2003		
3	1	325547081/1	Plate	From 01-September-2003		
4	4	112731601/0	Screw			
5	1	382000487/0	Rod			
6	1	125510052/0	Pin			
7	1	125430236/0	Spring			
8	2	112521360/0	Washer			
9	1	112295200/0	Nut			
10	1	325774275/0	Clamp			
11	1	112521350/0	Washer			
12	1	112155000/0	Nut			
14	1	112156602/0	Nut			
15	1	112521350/0	Washer			
16	1	112155000/0	Nut			
21	1	325785143/1	Support			
22	2	112815210/0	Screw			
23	1	112523040/0	Washer			
24	2	112154510/0	Nut			
25	1	325253001/0	Hook			
26	1	122524970/2	Fulcrum Pin			
27	1	325670011/0	Antifriction Washer			
28	1	112155000/0	Nut			
29	1	125033047/0	Rod			
30	1	125394509/1	Knob			
31	1	125430213/0	Spring			
32	1	112523020/0	Washer			
41	1	382500013/0	Pedal Tch2000			
42	1	125110265/0	Clamp Cover			
43	1	125110266/0	Clamp Cover			
44	1	382000481/0	Axle			
45	2	122034523/0	Bushing			
46	2	322672153/0	Antifriction Washer			
47	2	112609260/0	Seeger			
48	1	112760600/0	Screw			
49	1	112583501/0	Grower			
50	1	125033031/0	Control Rod			
51	1	125510054/0	Pin			
52	2	112293200/0	Nut			
53	1	112521360/0	Washer			
54	1	112523040/0	Washer			
55	1	112154510/0	Nut			
56	1	125510054/0	Pin			
57	2	112155000/0	Nut			
58	1	112523040/0	Washer			
59	1	112154510/0	Nut			



## Brake And Gearbox Controls

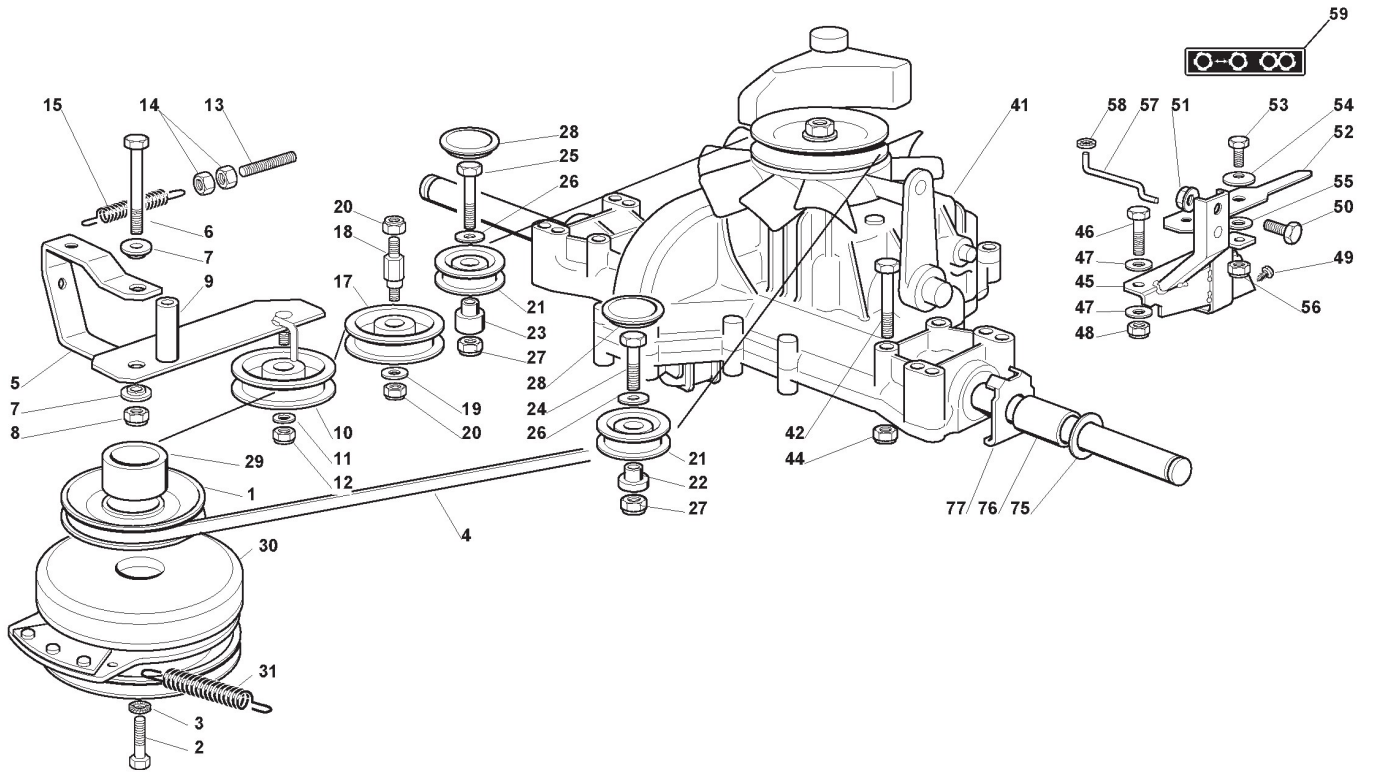
Ref.nr.	Qty	Item number	Description	Notes	From	Up to
61	1	382394853/0	Switch Ass.Y			
62	1	119410609/0	Microswitch			
63	2	112735602/0	Screw			
64	2	112581100/0	Grower			
65	2	112290791/0	Nut			
66	2	112735110/0	Screw			





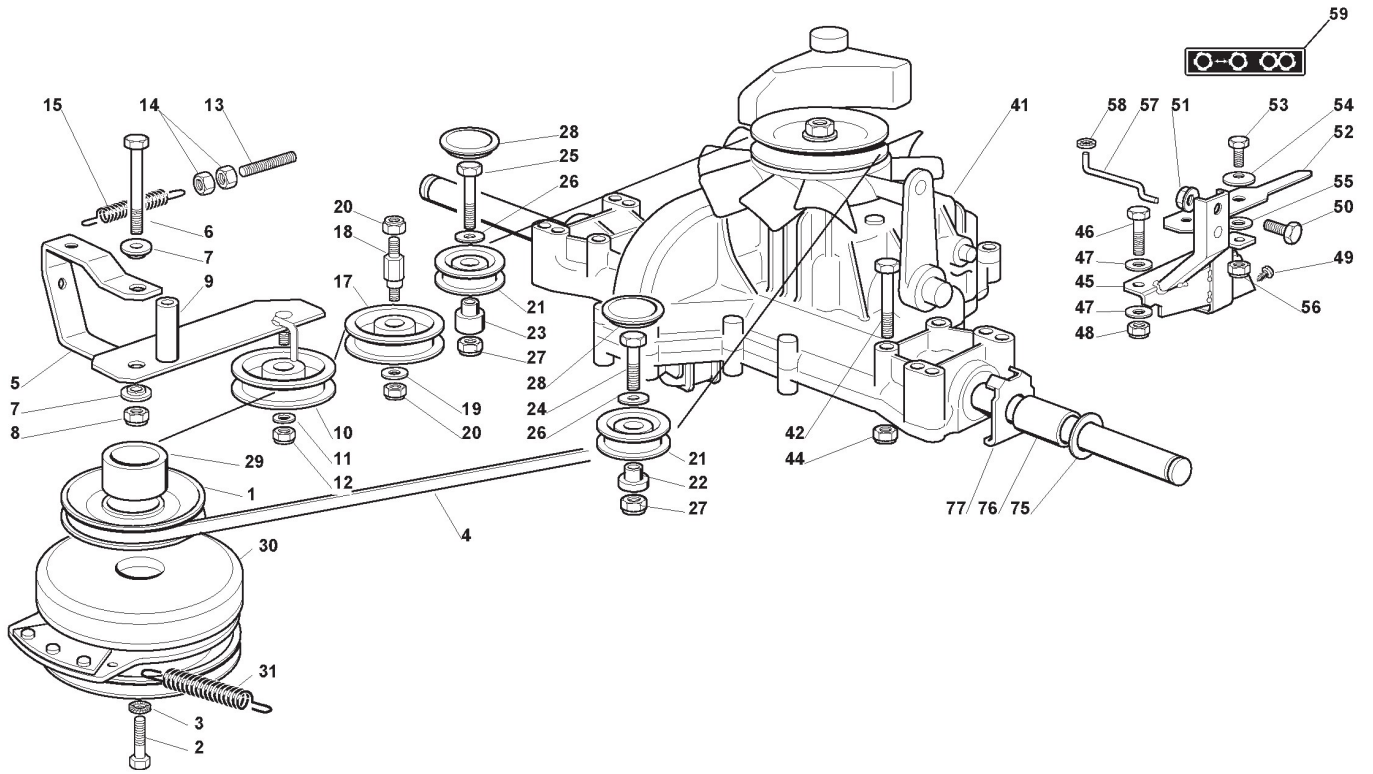
# Engine - B&S

Ref.nr.	Qty	Item number	Description	Notes	From	Up to
2	1	325869016/1	Connecting Tube	From 01-September-2004		
2	1	425869016/0	Fuel Tube	To 31-August-2004		
3	2	118375051/1	Fair Led			
5	1	125598050/0	Oil Discharge Extension			
6	1	118737849/0	Plug			
7	1	118401001/1	Oil Seal			
8	3	112691100/0	Screw			
9	1	112540260/0	Washer			
10	1	112154210/0	Nut			
11	3	112154210/0	Nut			
12	1	118738206/0	Exhaust Discharge Tube			
13	2	112583500/0	Grower			
14	2	112735530/0	Screw			
15	1	112691115/0	Screw			
31	1	182750010/0	Muffler			
32	2	112793102/0	Screw			
33	2	112540260/0	Washer			
34	2	112360425/0	Nut			
35	1	382598009/2	Muffler Protection	From 01-September-2003		
35	1	82598009/1	Muffler Protection	To 31-August-2003		
36	2	112792611/0	Screw			
37	2	112583500/0	Grower			
41	1	182000200/1	Throttle Cable			
42	2	125943012/0	Screw			
44	1	125394501/0	Knob			
45	1	112726388/0	Screw			
46	1	112290800/0	Nut			
51	1	125735110/2	Fuel Tank	To 31-August-2004		
51	1	125735110/3	Tank	From 01-September-2004		
52	1	125795000/0	Cap	To 31-August-2003		
52	1	125795000/1	Fuel Cap	From 01-September-2003		
53	2	112788910/0	Screw			
54	2	112500092/0	Rivet			
61	1	118736110/0	Starter Relay			
62	2	112791011/0	Screw			
63	2	112292102/0	Nut			
64	2	112360352/0	Nut			
65	1	125065017/0	Cable			
66	1	118564861/1	Protection			



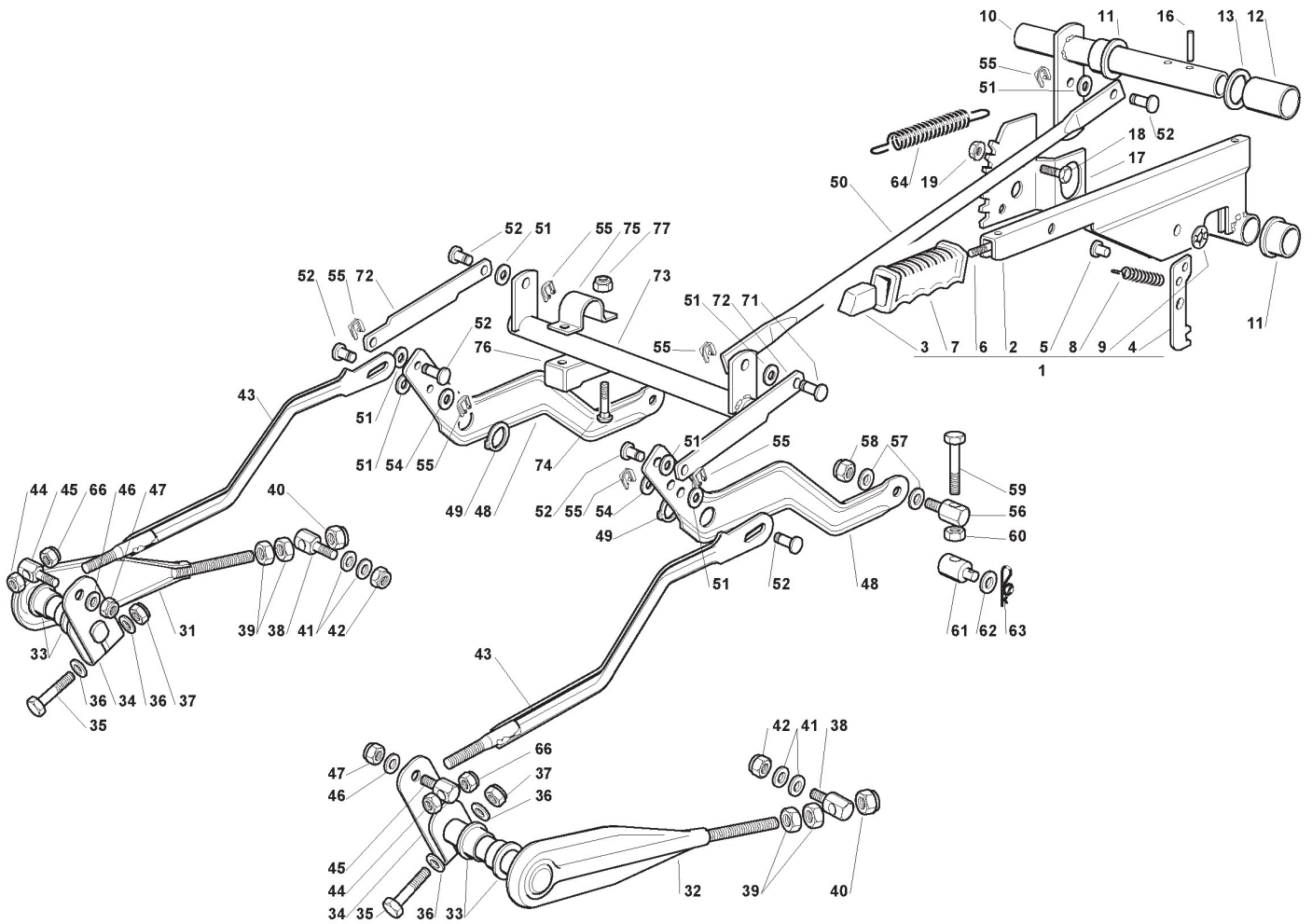
# Transmission

Ref.nr.	Qty	Item number	Description	Notes	From	Up to
1	1	125601566/0	Pulley			
2	1	112737320/0	Screw			
3	1	112543000/0	Washer			
4	1	135062001/0	Trapezoidal Belt	To 31-August-2014		
4	1	135062020/1	Trapezoidal Belt	From 01-September-2014		
5	1	382318165/1	Lever			
6	1	112692000/0	Screw			
7	2	125038002/1	Bushing			
8	1	112155000/0	Nut			
9	1	125160027/0	Spacer			
10	1	125601554/0	Pulley			
11	1	112523060/0	Washer			
12	1	112155000/0	Nut			
13	1	125840010/1	Tie Rod			
14	2	112293200/0	Nut			
15	1	125430219/0	Spring			
17	1	125601555/0	Pulley	To 31-August-2013		
17	1	325601599/0	Pulley	From 01-September-2013		
18	1	125510036/1	Pin			
18	1	125510036/2	Pin	From 01-September-2012 To 31-August-2014		
18	1	125510139/0	Pin	From 01-September-2014		
19	1	112523060/0	Washer			
20	2	112155000/0	Nut			
21	2	325601570/1	Pulley			
22	1	125160030/1	Left Spacer	To 31-August-2010		
22	1	125160030/2	Left Spacer	From 01-September-2010		
23	1	125160024/2	Right Spacer			
24	1	112691115/0	Screw			
25	1	112691400/0	Screw			
26	2	112523060/0	Washer			
27	2	112155000/0	Nut			
28	2	125109521/1	Cover			
29	1	125160021/0	Spacer			
30	1	118399060/0	Electromagnetic Clutch	To 31-August-2007		
30	1	118399062/0	Electromagnetic Clutch	From 01-September-2007		
31	1	125430210/0	Brake Spring	To 31-August-2010		
31	1	125430210/1	Brake Spring	From 01-September-2010		
41	1	118400950/1	Rear Axle Tuff Torq K46F			
42	4	112691800/0	Screw			
44	4	112154210/0	Nut			
45	1	382785109/0	Support			
46	1	112691200/0	Screw			
47	2	112521350/0	Washer			
48	1	112155000/0	Nut			
49	2	112735120/0	Screw			
50	1	112792611/0	Screw			
51	1	112293201/0	Nut			
52	1	325318157/0	Lever			



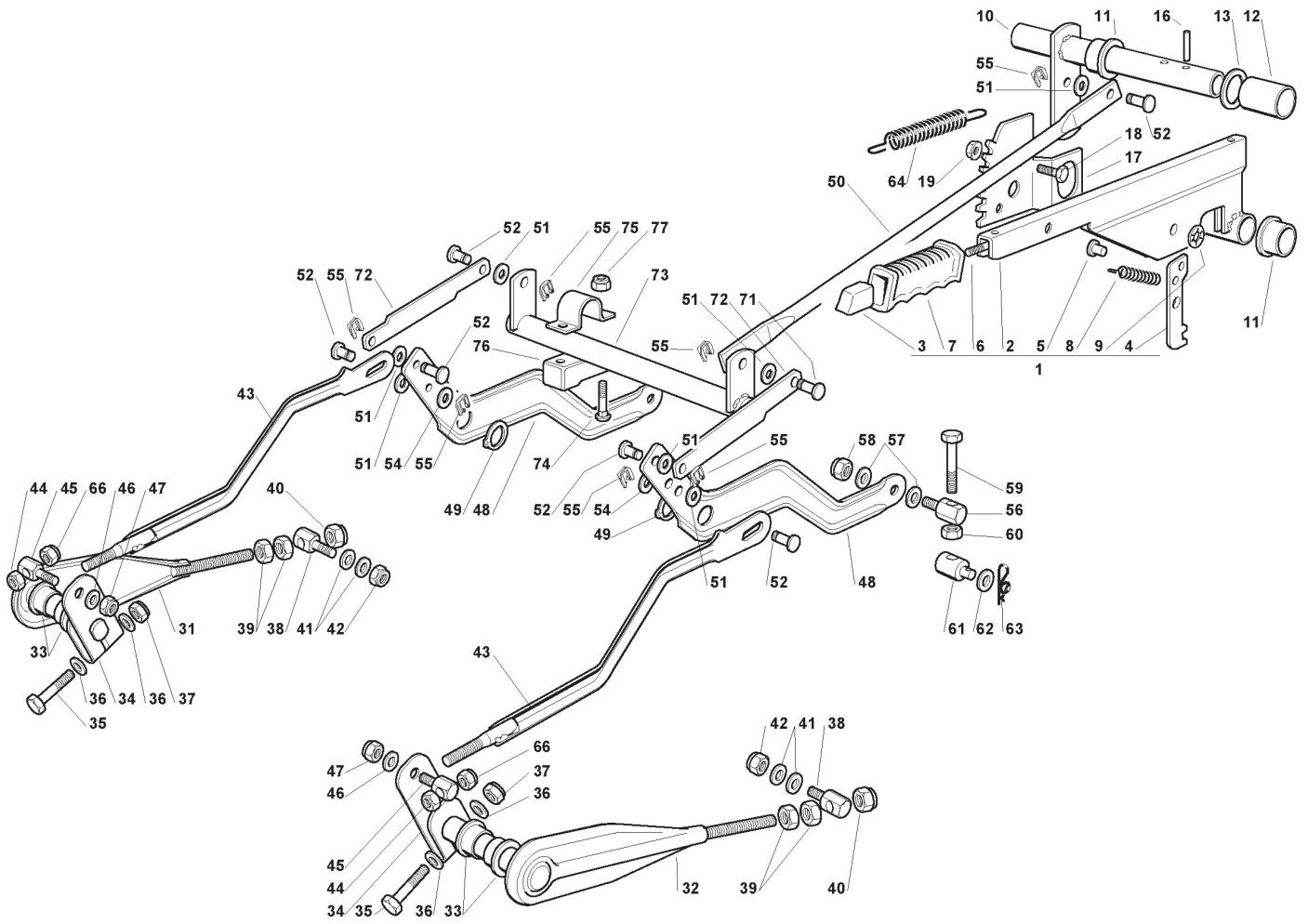
## Transmission

Ref.nr.	Qty	Item number	Description	Notes	From	Up to
53	1	112793102/0	Screw			
54	1	112369500/0	Elastic Washer			
55	1	325670011/0	Antifriction Washer			
56	1	112155000/0	Nut			
57	1	125033033/0	Rod			
58	1	112604896/0	Crown Fastener			
59	1	114357423/2	Label			
75	4	125670005/1	Washer			
76	2	125160023/0	Spacer			
77	2	325670025/0	Washer			



## Cutting Plate Lifting

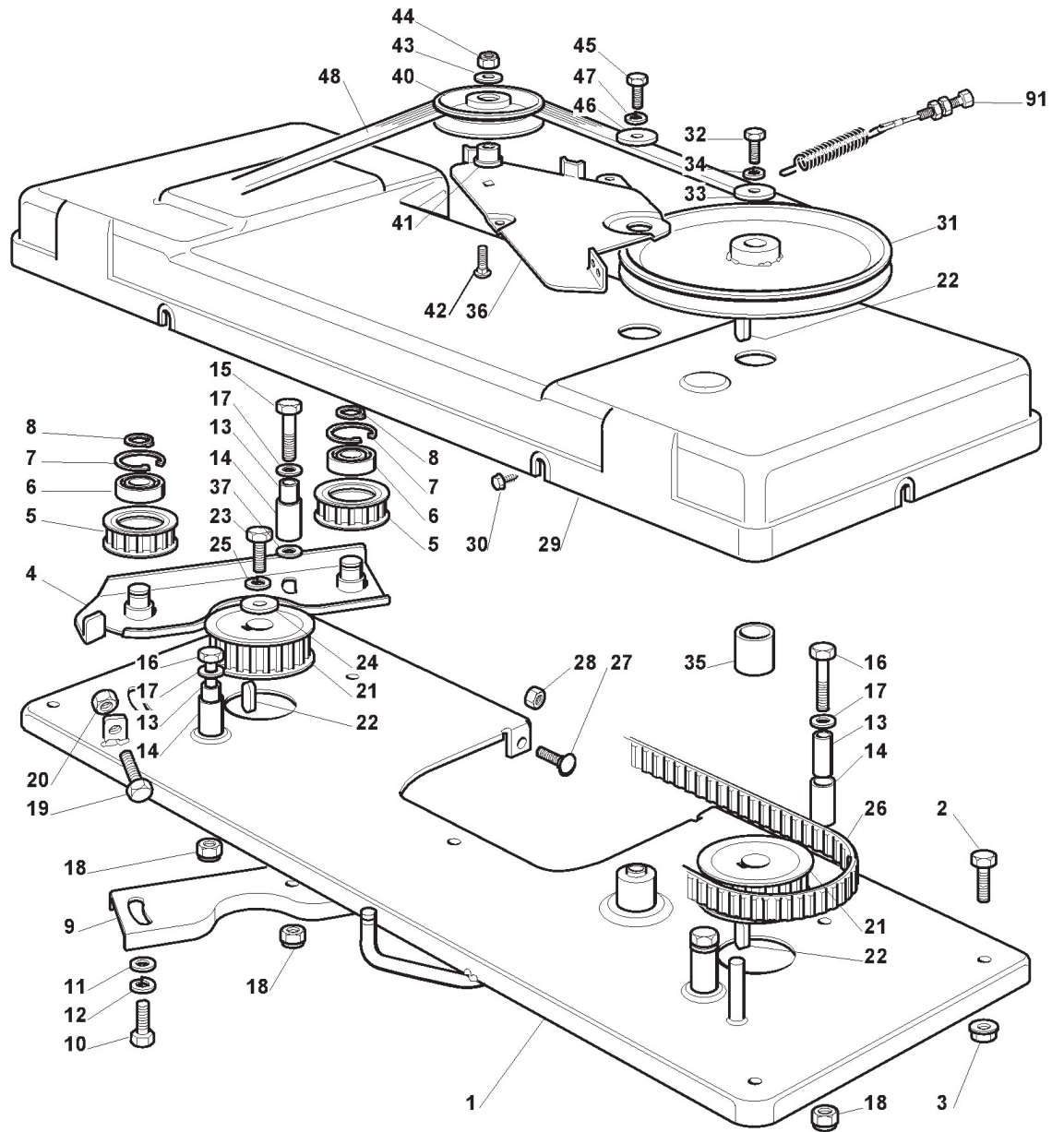
Ref.nr.	Qty	Item number	Description	Notes	From	Up to
1	1	382300002/1	Lever			
2	1	382318139/0	Deck Lifting Lever			
3	1	125605000/1	Button			
4	1	325470901/0	Dog Plate			
5	1	125510011/0	Pin			
6	1	125033002/0	Push Rod			
7	1	125394504/1	Knob			
8	1	125430208/0	Spring			
9	1	112604899/0	Crown Fastener			
10	1	382000551/0	Axle			
11	2	122034523/0	Bushing			
12	1	125160025/0	Spacer			
13	1	322672153/0	Antifriction Washer			
16	2	112620206/0	Pin			
17	1	325735506/1	Left Sector			
18	2	112792611/0	Screw			
19	2	112293201/0	Nut			
31	1	382318155/0	Front Right Fulcrum Lever			
32	1	382318157/0	Left Fulcrum			
33	4	125040605/0	Bushing			
34	2	325318161/0	Lever			
35	2	112691700/0	Screw			
36	4	112521350/0	Washer			
37	2	112155000/0	Nut			
38	2	125510056/0	Pin			
39	4	112295200/0	Nut			
40	2	112156602/0	Nut			
41	4	325670008/1	Washer			
42	2	112156602/0	Nut			
43	2	382000477/2	Connecting Rod Assy			
44	2	112155000/0	Nut			
45	2	125510055/0	Pin			
46	2	112521350/0	Washer			
47	2	112155000/0	Nut			
48	2	325318153/1	Rear Lever			
49	2	112609255/0	Seeger			
50	1	325033071/0	Rod			
51	7	325670011/0	Antifriction Washer			
52	7	125510117/0	Pin			
54	2	112521350/0	Washer			
55	7	112436050/0	Plate			
56	2	125510056/0	Pin			
57	4	325670008/1	Washer			
58	2	112156602/0	Nut			
59	2	112794980/0	Screw			
60	2	112295200/0	Nut			
61	2	125510070/0	Pin			
62	2	112523090/0	Washer			





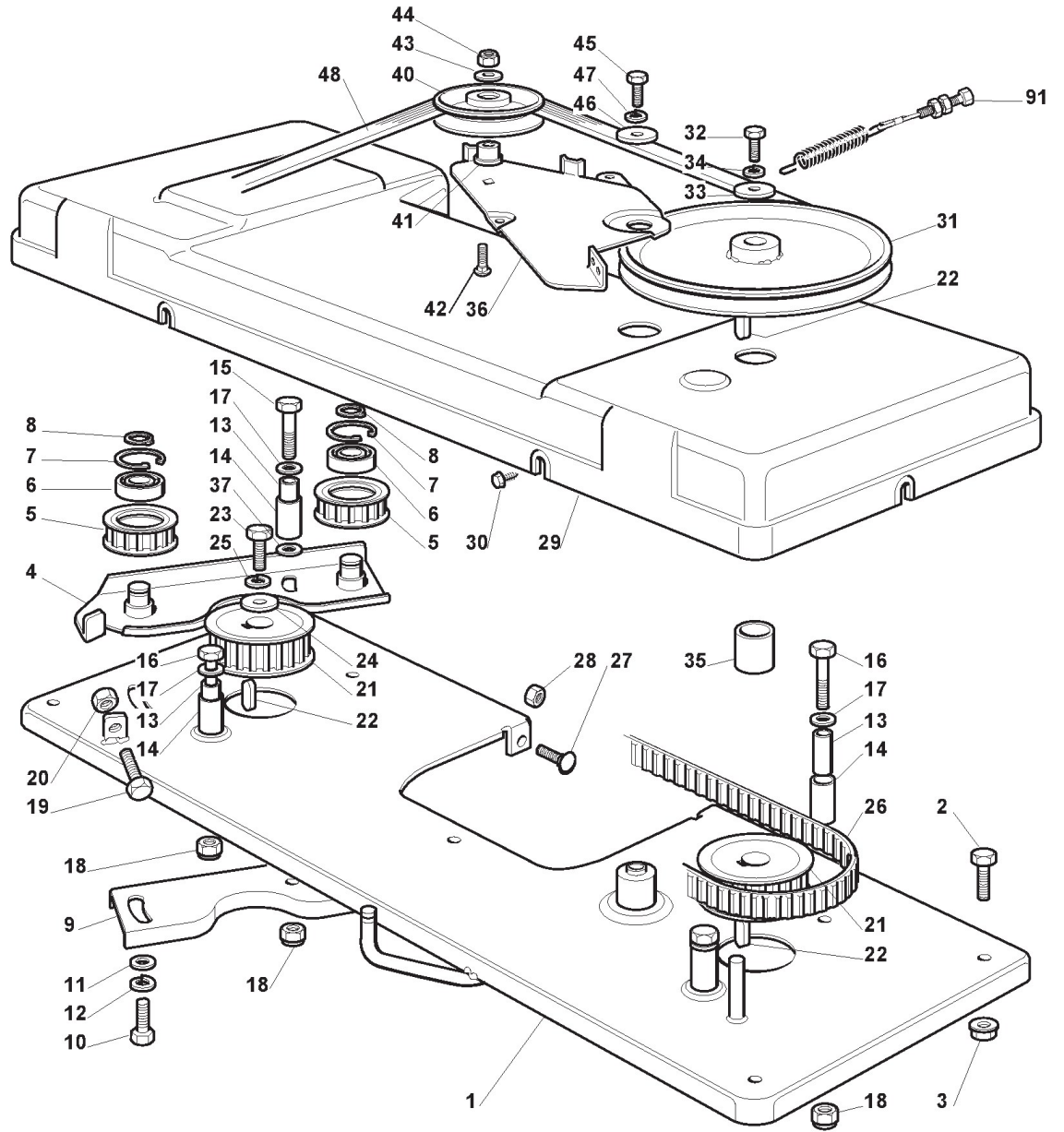
## Cutting Plate Lifting

Ref.nr.	Qty	Item number	Description	Notes	From	Up to
63	2	124487998/0	Cotter Pin			
64	1	125430218/0	Spring			
66	2	112293200/0	Nut			
71	1	125510048/0	Pin			
72	2	325318223/0	Gearshift			
73	1	382000547/0	Axle			
74	4	112815240/0	Screw			
75	2	325547203/0	Plate			
76	2	325785292/0	Support			
77	4	112154510/0	Nut			



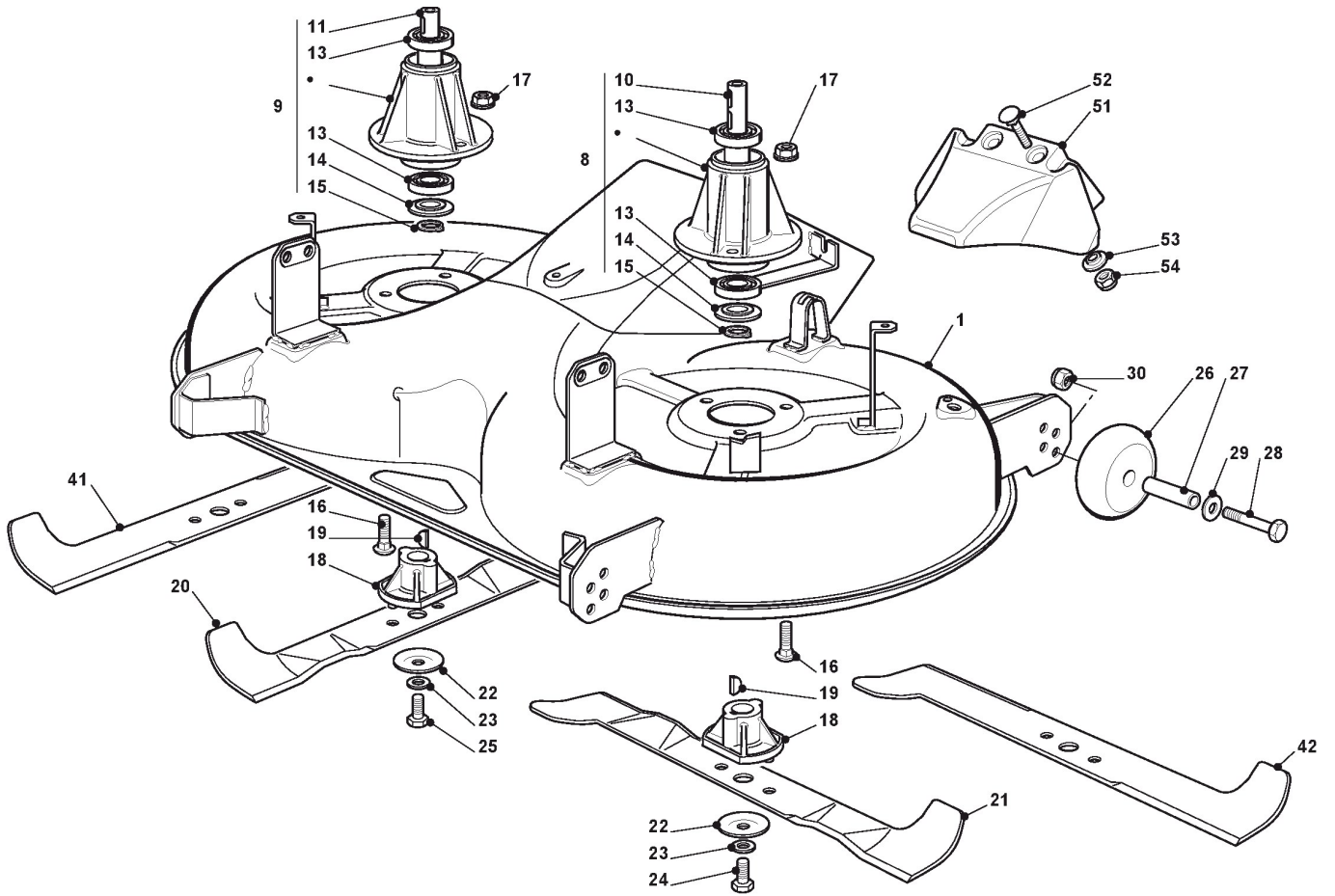
# Blades Engagement

Ref.nr.	Qty	Item number	Description	Notes	From	Up to
1	1	382547003/2	Transmission Plate			
2	4	112792611/0	Screw			
3	4	112293201/0	Nut			
4	1	382785084/1	Support			
5	2	125601559/1	Toothed Pulley			
6	2	119216033/1	Bearing			
7	2	112610800/0	Seeger			
8	2	112609200/0	Seeger			
9	1	325650037/0	Pulley Stiffening			
10	2	112793102/0	Screw			
11	2	112521350/0	Washer			
12	2	112583500/0	Grower			
13	4	125160003/0	Spacer			
14	4	125038000/0	Bushing			
15	1	112691700/0	Screw			
16	3	112691200/0	Screw			
17	4	112521350/0	Washer			
18	4	112155000/0	Nut			
19	1	112793900/0	Screw			
20	1	112293200/0	Nut			
21	2	125601560/0	Pulley			
22	3	112139480/0	Feather			
23	1	112793102/0	Screw			
24	1	125670007/0	Washer			
25	1	112583500/0	Grower			
26	1	135065600/0	Belt			
27	3	112815200/0	Screw			
28	3	112292102/0	Nut			
29	1	325060128/0	Case			
30	6	112735110/0	Screw			
31	1	125601550/0	Pulley			
32	1	112793102/0	Screw			
33	1	125670007/0	Washer			
34	1	112583500/0	Grower			
35	1	125160002/0	Spacer			
36	1	325318115/1	Lever			
37	1	112523060/0	Washer			
40	1	125601555/0	Pulley			
41	1	125160007/0	Spacer	To 31-August-2010		
41	1	125160007/1	Spacer	From 01-September-2010		
42	1	112818900/0	Screw			
43	1	112523060/0	Washer			
44	1	112155000/0	Nut			
45	1	112793102/0	Screw			
46	1	112523070/0	Washer			
47	1	112583500/0	Grower			
48	1	135062811/0	Belt	V-Belt		
48	1	135062813/0	Belt	Kevlar		



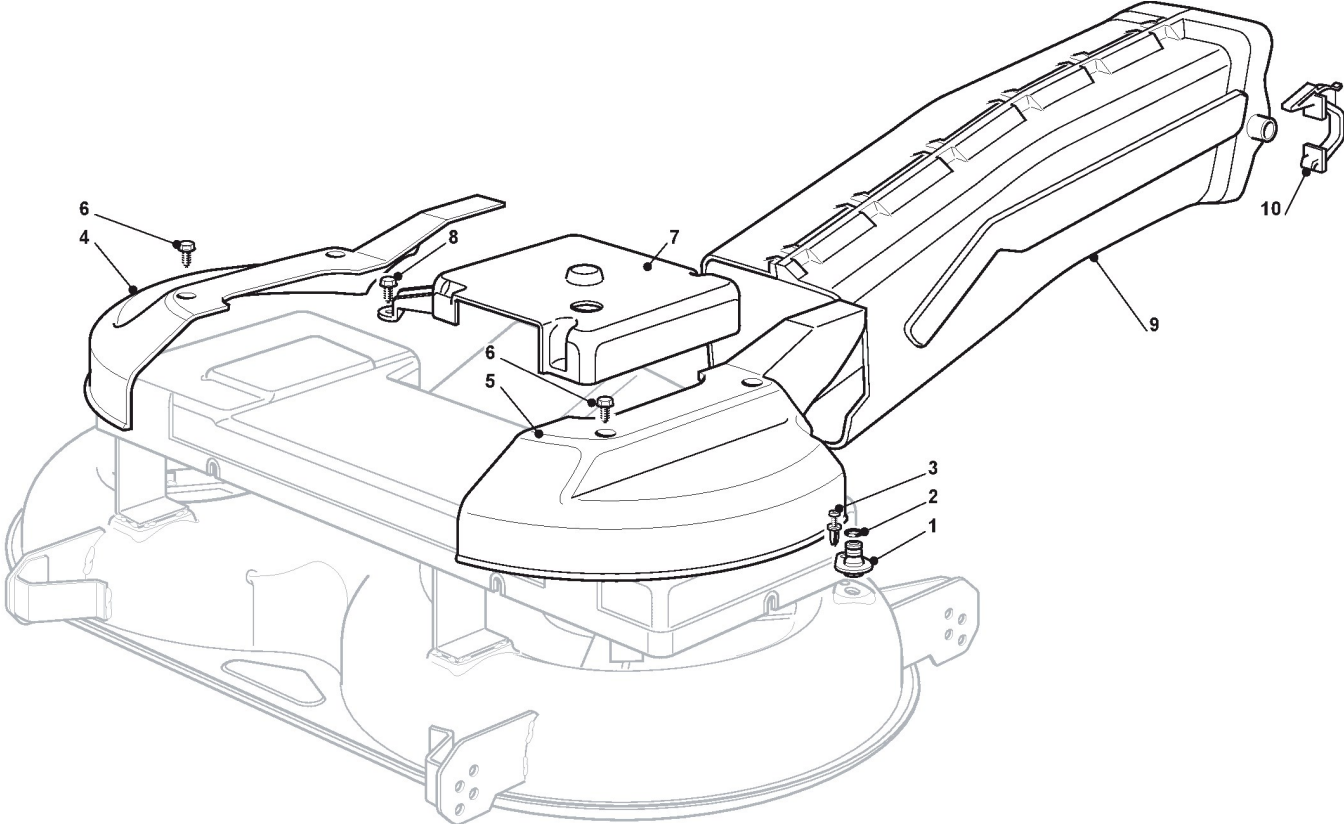
Blades Engagement

Ref.nr.	Qty	Item number	Description	Notes	From	Up to
91	1	182004608/0	Engagging Cable			



## Cutting Plate

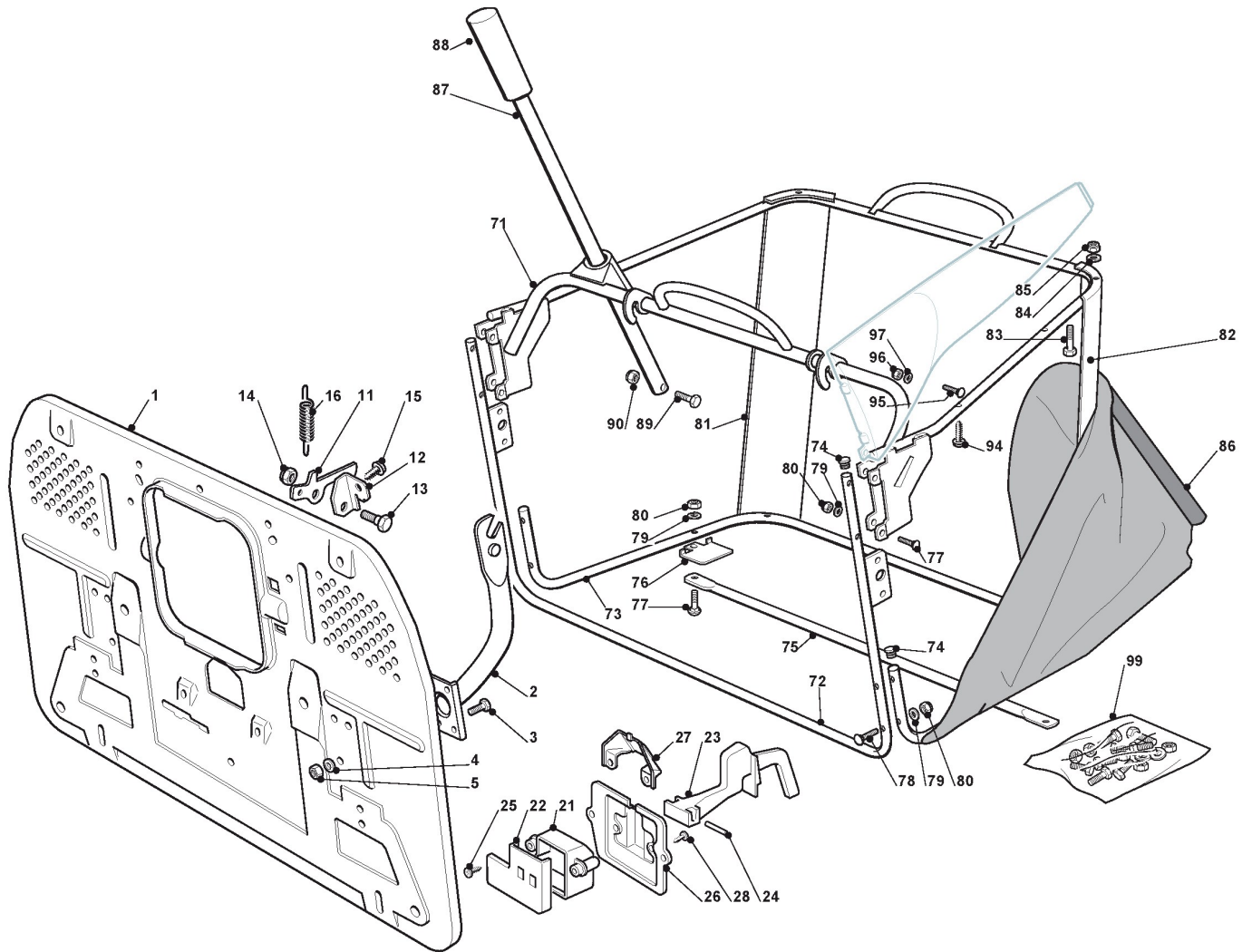
Ref.nr.	Qty	Item number	Description	Notes	From	Up to
1	1	382564087/2	Cutting Plate Black			
8	1	382207200/1	Flange Assy			
9	1	382207201/2	Support Shaft Tc			
10	1	125020800/1	Main Blade Shaft			
11	1	125020801/2	Secondary Blade Shaft			
13	4	119216032/0	Bearing			
14	2	325160501/0	Dust Cover Disc			
15	2	112609260/0	Seeger			
16	6	112818700/0	Screw			
17	6	112154210/0	Nut			
18	2	125463200/0	Blade Hub			
19	2	112139100/0	Key			
20	1	182004348/0	Right Mulching Blade, Winged			
21	1	182004347/0	Left Mulching Blade, Winged			
22	2	122160400/0	Elastic Disc			
23	2	112523080/0	Washer			
24	1	112735694/0	Screw			
25	1	112735695/1	Screw			
26	4	182700001/0	Levelling Small Wheel			
27	4	125510072/0	Pin			
28	4	112692050/0	Screw			
29	4	112523060/0	Washer			
30	4	112293201/0	Nut			
41	1	182004341/1	Right Blade, Winged			
42	1	182004340/1	Left Blade, Winged			
51	1	325140100/0	Deflector			
52	2	112815210/0	Screw			
53	2	125038002/1	Bushing			
54	2	112154510/0	Nut			





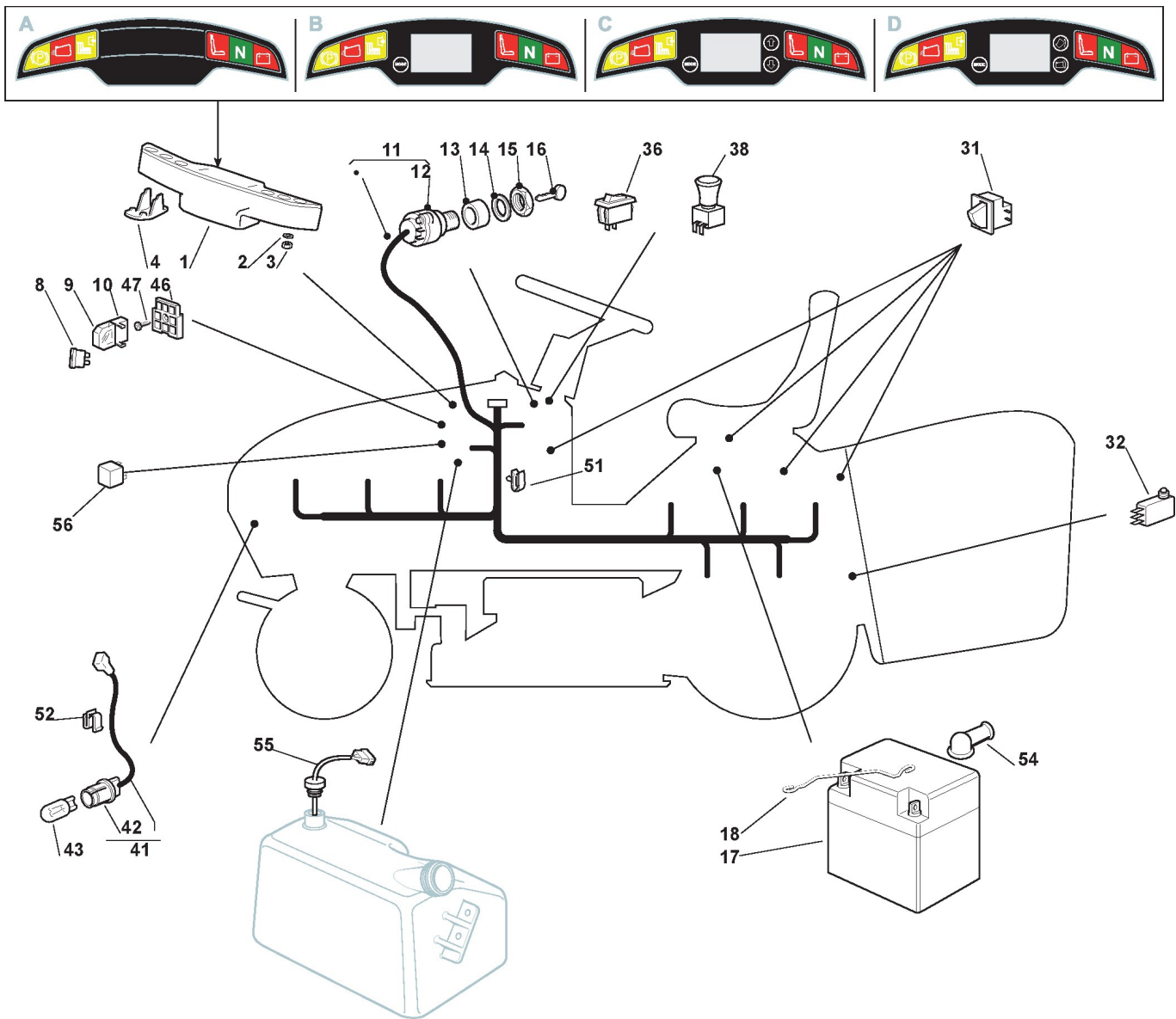
## Guards And Conveyor

Ref.nr.	Qty	Item number	Description	Notes	From	Up to
1	2	125033060/0	Washing Cutting Deck Connection			
2	2	119035000/0	Or Ring			
3	2	112500030/0	Rivet			
4	1	125060104/0	Right Case			
5	1	125060105/0	Left Case			
6	4	112735403/0	Screw			
7	1	125600049/0	Belt Protection			
8	3	112735403/0	Screw			
9	1	382108016/0	Conveyor	To 31-August-2010		
9	1	382108016/1	Conveyor	From 01-September-2010		
10	2	325774373/0	Clamp			



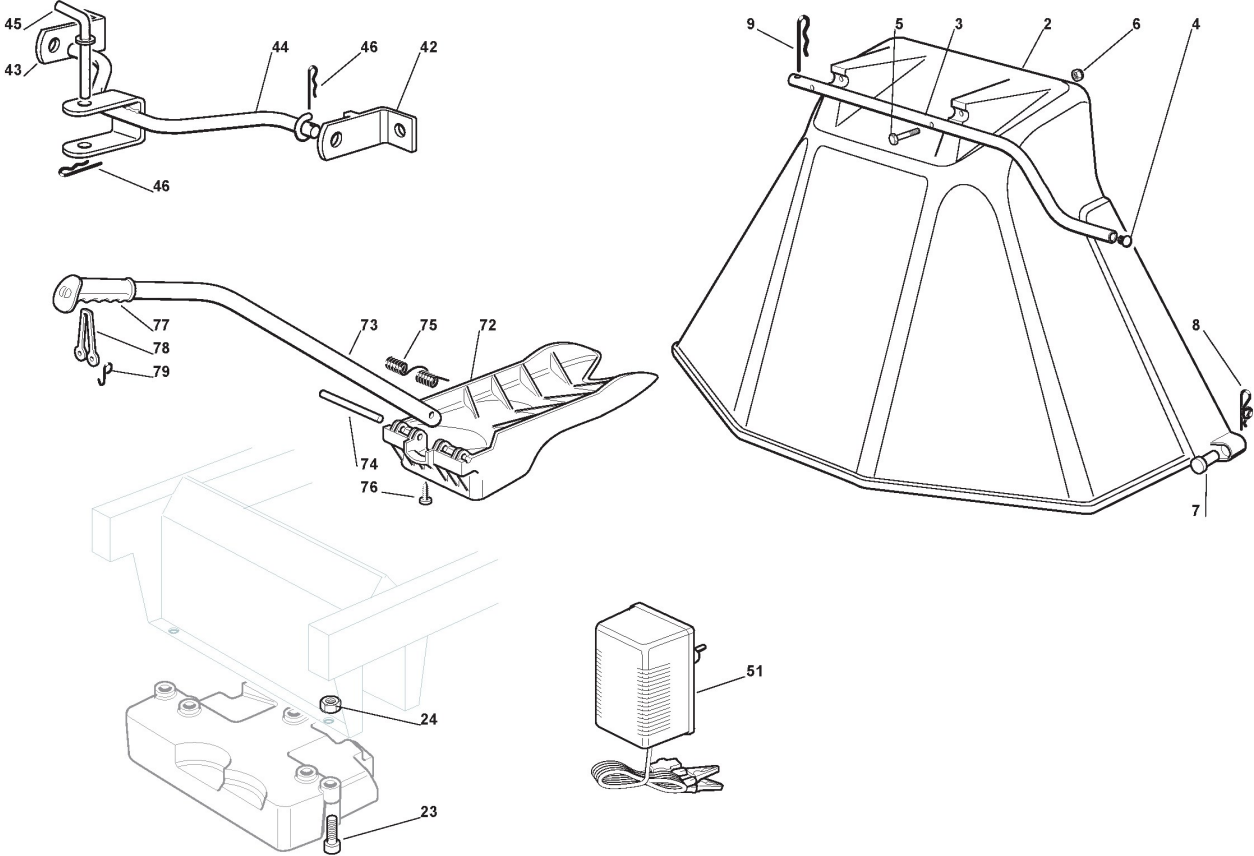
# Grasscatcher

Ref.nr.	Qty	Item number	Description	Notes	From	Up to
1	1	382547051/0	Rear Plate			
2	2	182774225/1	Clamp			
3	6	112793102/0	Screw			
4	6	112523060/0	Washer			
5	6	112293201/0	Nut			
11	1	325774417/0	Clamp			
12	1	325755031/0	Clamp			
13	1	125510080/0	Pin			
14	1	112292102/0	Nut			
15	1	112735122/0	Screw			
16	1	127430579/0	Clutch Spring			
21	1	125600041/0	Grassc.Full Micro Protection Tcj-F			
22	1	125600042/0	Grasscatcher Micro Prot Cover			
23	1	125318124/0	Full Grassc. Microswtich Cover			
24	1	112400030/0	Pin			
25	1	112728510/0	Screw			
26	1	325785272/0	Micro Protection			
27	1	125600048/0	Empty Micro Grassc.Protection Cover			
28	2	112728450/0	Screw			
71	1	382800079/1	Upper Frame			
72	1	382800089/0	Front Grassbox Frame			
73	1	325800017/0	Lower Grassbox Frame			
74	4	118566112/0	Polyethylene Push Road D=20inch			
75	1	382650043/0	Lower Stiffening			
76	1	325547131/0	Plate			
77	6	112815220/0	Screw			
78	4	112815245/0	Screw			
79	10	112521330/0	Washer			
80	10	112154510/0	Nut			
81	1	325032013/0	Right Angular Support			
82	1	325032015/0	Left Angular Support			
83	4	112689500/0	Screw			
84	8	112521330/0	Washer			
85	8	112154510/0	Nut			
86	1	182105980/0	Grasscatcher			
87	1	125869029/1	Grasscatcher Lifting Tube			
88	1	125394508/0	Knob			
89	1	112674550/0	Screw			
90	1	112154510/0	Nut			
94	4	112735410/0	Screw			
95	2	112815220/0	Screw			
96	2	112521330/0	Washer			
97	2	112154510/0	Nut			
99	1	382180037/3	Outfit, Screws			



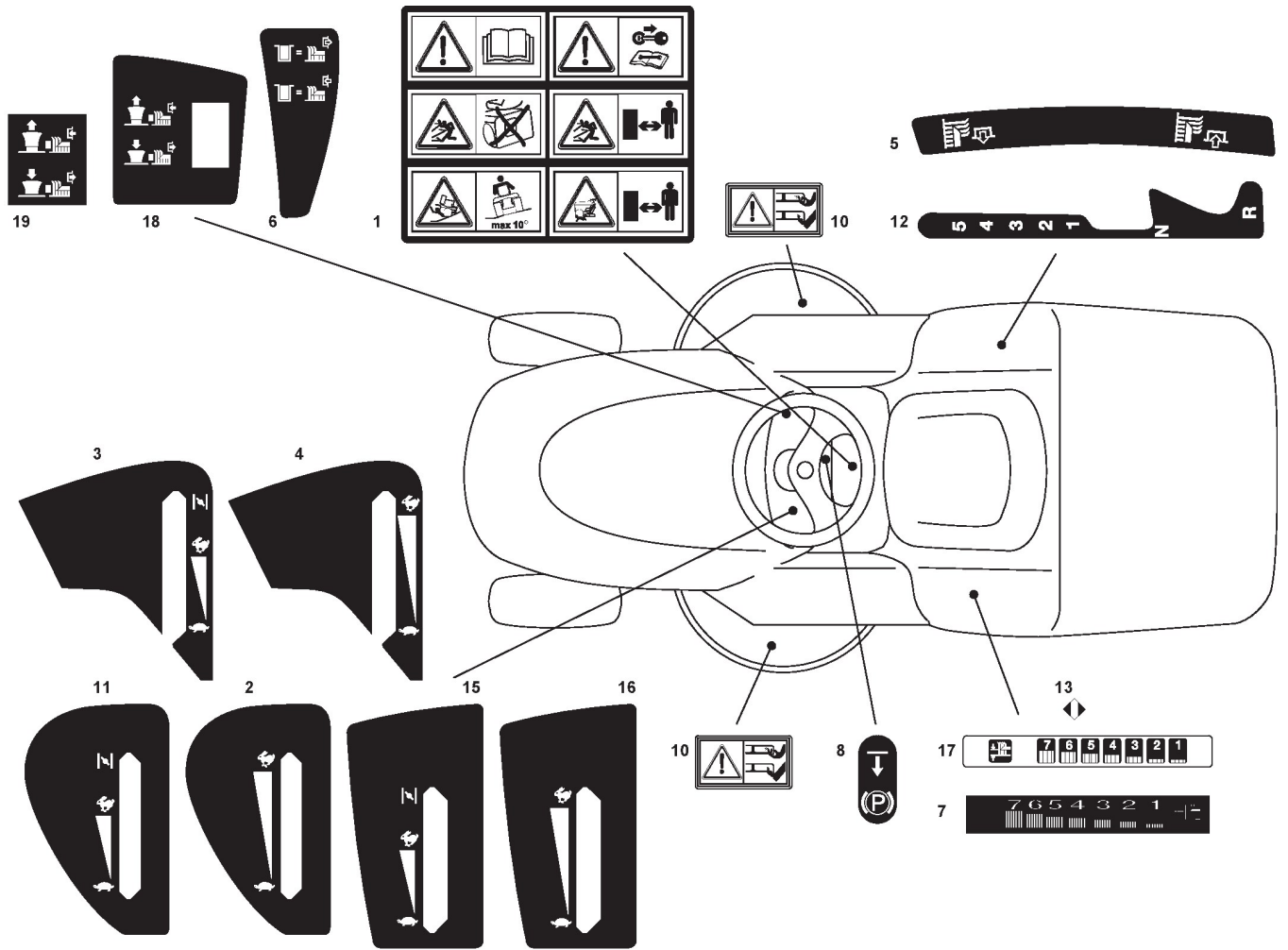
## Electrical Parts

Ref.nr.	Qty	Item number	Description	Notes	From	Up to
1	1	382722421/2	Cards + Guards (B)	From 01-September-2010 To 31-August-2014		
1	1	382722432/0	Cards + Guards (B)	From 01-September-2014 To 31-August-2017		
1	1	382722432/1	Cards + Guards (B)	From 01-September-2017		
1	1	82722421/1	Cards + Guards (B)	To 31-August-2010		
2	2	112521320/0	Washer			
3	2	112154330/0	Nut			
4	1	325031501/0	Buzzer Sound Amplifier			
8	1	133340036/0	Fuse 25 A			
8	1	133340040/0	Fuse 10 A			
9	2	133215000/0	Cover			
10	2	133500007/0	Fuse Carrier			
11	1	182040176/0	Cables Ass.Y	To 31-August-2014		
11	1	182040203/0	Cables Ass.Y - ISO	From 01-September-2014 To 31-August-2015		
11	1	182040203/1	Cables Ass.Y - ISO	From 01-September-2015 To 31-August-2017		
11	1	182040216/0	Cables Ass.Y	From 01-September-2017 To 31-October-2017		
11	1	182040216/1	Cables Ass.Y	From 01-November-2017		
12	1	118450072/0	Starting Switch			
13	1	118550136/0	Spacer			
14	1	118550135/0	Washer			
15	1	118400862/0	Ring Nut			
16	1	118210022/0	Starting Key			
17	1	118120002/1	Battery			
18	1	125430230/0	Spring			
31	3	119410613/0	Microswitch			
32	1	119410605/1	Microswitch			
36	1	118450060/1	Headlight Switch	To 31-August-2016		
36	1	118450060/1LC	Headlight Switch	From 01-September-2016 To 26-June-2019		
36	1	118450084/0	Headlight Switch	From 27-June-2019		
38	1	118450068/0	Switch	Yellow;To 31-August-2016		
38	1	118450068/1	Switch	Yellow;From 01-september-2016		
38	1	118450074/0	Clutch Switch	Red		
41	1	182040073/0	Headlight Cable			
42	2	133500030/0	Lamp Holder			
43	2	118459100/0	Lamp For Lights			
46	1	133500010/1	Plate			
47	1	112735170/0	Screw			
51	5	133320506/0	Fairlead			
52	1	133320504/0	Fairlead			
54	1	118564864/1	Protection			
55	1	125290001/0	Fuel Level Indicator			
56	1	133567000/0	Relay			



## Optionals On Request

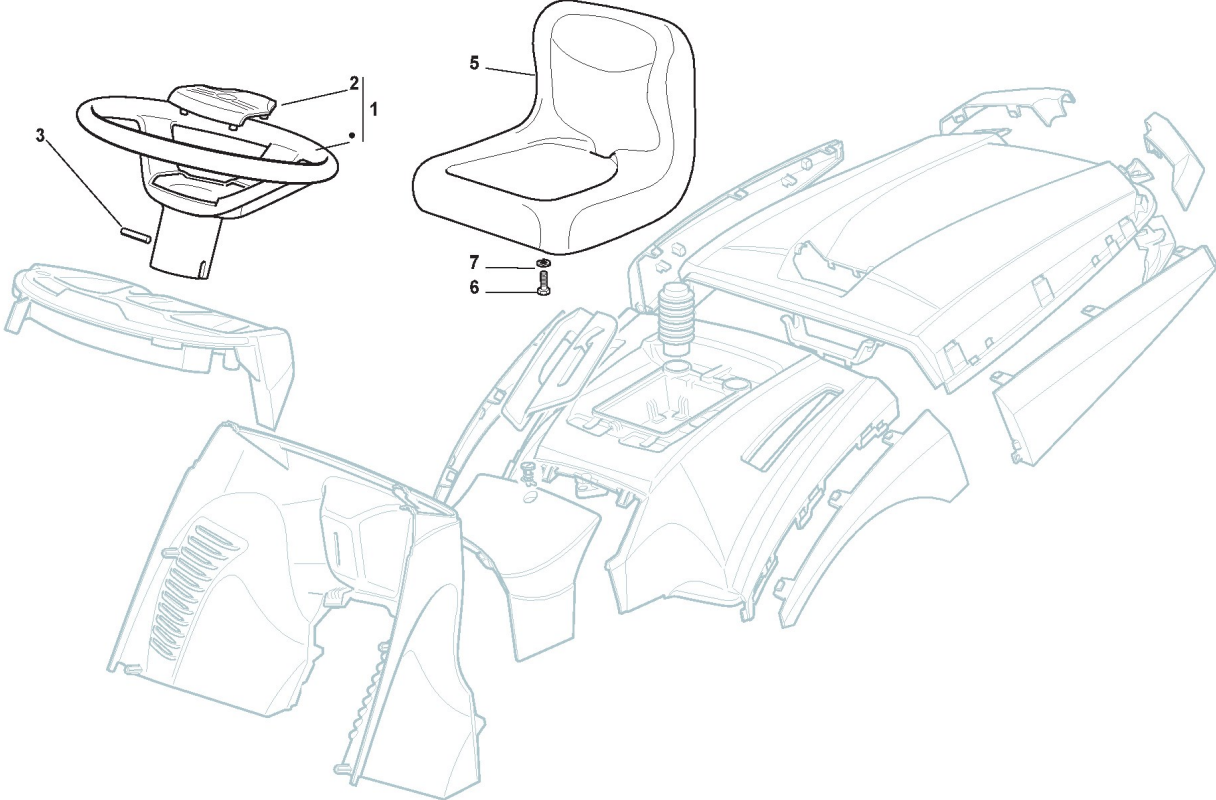
Ref.nr.	Qty	Item number	Description	Notes	From	Up to
2	1	382400003/1	Ejection Guard	From 01-September-2006		
2	1	82400003/0	Ejection Guard	To 31-August-2003		
3	1	325869043/0	Rear Support			
4	2	118566112/0	Polyethylene Push Road D=20inch			
5	2	112689515/0	Screw			
6	2	112154510/0	Nut			
7	2	125510022/0	Pin	To 31-August-2012		
7	1	125510022/1	Pin	From 01-September-2012		
8	2	124487998/0	Cotter Pin			
9	1	124487999/0	Spring Pin			
23	3	112760520/0	Screw			
24	3	112155000/0	Nut			
42	1	382735502/0	Bracket			
43	1	325774213/0	Bracket			
44	1	382033105/1	Rod	To 31-August-2014		
44	1	382033115/0	Hitch Bar	From 01-September-2014		
45	1	125510021/1	Hitch Pin			
46	2	124487999/0	Spring Pin			
51	1	182180050/0	Battery Charger	From 01-September-2009		
51	1	182180090/0	Battery Charger 12V 1A - CE Plugg	To 31-August-2009		
72	1	125140091/0	Mulching Deflector	To 31-August-2008		
72	1	325140097/0	Deflector	From 01-September-2008		
73	1	325394005/0	Handle			
74	1	125510077/0	Pin			
75	1	125430245/0	Spring			
76	1	112735405/0	Screw			
77	1	325280000/1	Handgrip			
78	1	125840011/1	Tie Rod	From 01-September-2003		
78	1	25840011/0	Elastic Tie-Rod	To 31-August-2003		
79	2	125253004/0	Mulch.Kit Fixing Hook			





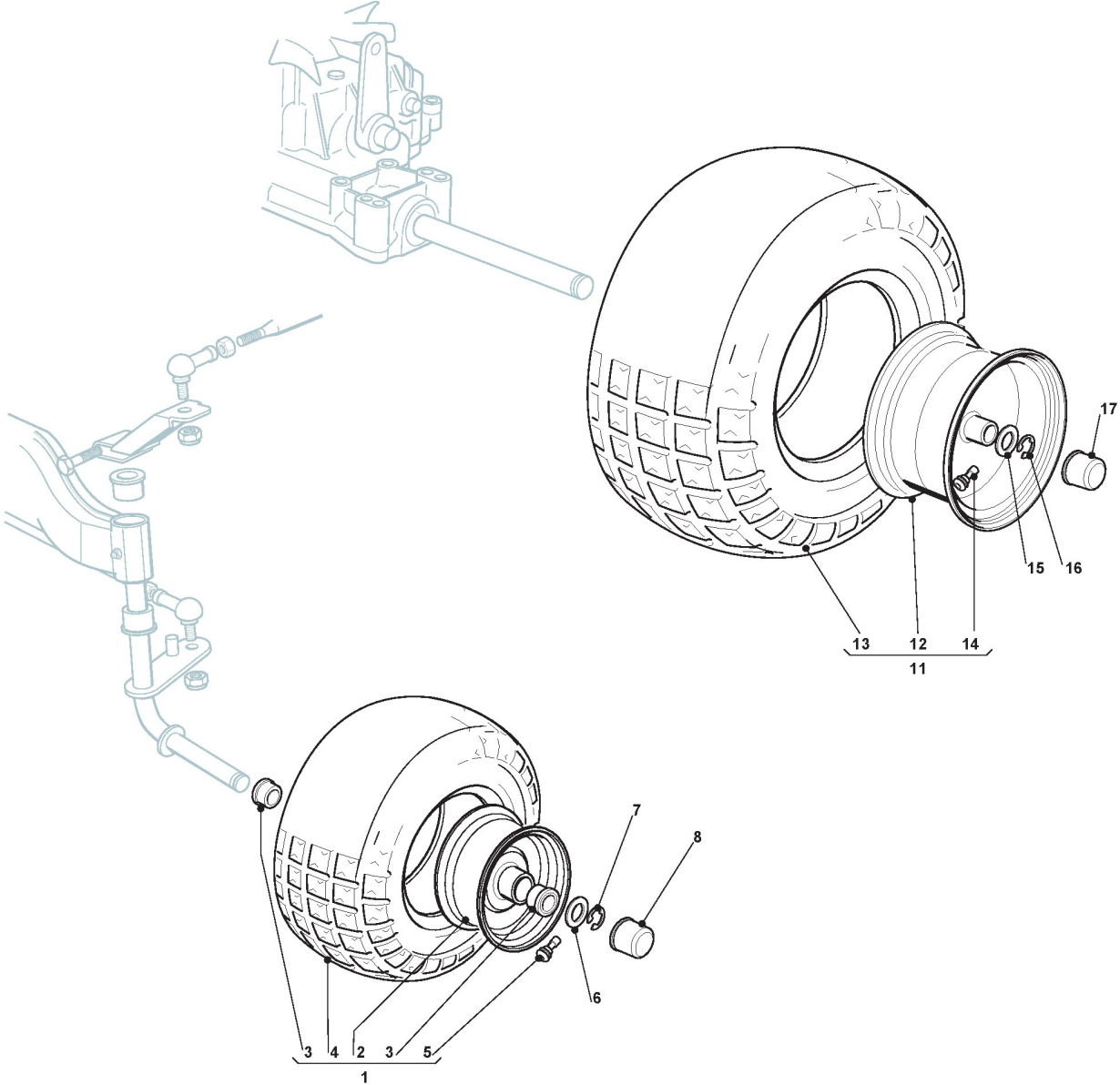
## Labels

Ref.nr.	Qty	Item number	Description	Notes	From	Up to
1	1	114357190/0	Label	To 31-August-2008		
1	1	114357428/1	Label	From 01-September-2008		
8	1	114357526/0	Label	To 31-August-2007		
8	1	114357526/1	Label	From 01-September-2007		
10	2	114356699/0	Label	To 31-August-2009		
10	2	114356699/1	Label	From 01-September-2009		
13	1	114357913/0	Label			
15	1	114360717/0	Label			
16	1	114360716/0	Label			
17	1	114360719/0	Label			
18	1	114360715/2	Label			



## Seat & Steering Wheel

Ref.nr.	Qty	Item number	Description	Notes	From	Up to
1	1	125961210/0	Steering Wheel			
2	1	325580501/0	Cap			
3	1	112620299/0	Elastic Pin			
5	1	125722457/0	Seat			
6	4	112793102/0	Screw			
7	4	112583500/0	Grower			



## Wheels

Ref.nr.	Qty	Item number	Description	Notes	From	Up to
2	2	182000590/1	Rimm	From 01-September-2009		
2	2	82000595/0	Rimm	To 31-August-2009		
3	4	125122200/2	Bearing			
5	2	125950000/0	Valve			
6	2	125670005/1	Washer			
7	2	112001000/0	Benzing Ring			
8	2	122110230/0	Hub Cover			
11	2	382680013/1	Wheel	To 31-August-2009		
11	2	382680022/0	Wheel	From 01-September-2009		
12	2	182000592/0	Rear Wheel Rimm	From 01-September-2009		
12	2	82000596/0	Rimm	To 31-August-2009		
13	2	125590006/0	Tyre 18x8.00-8 2PR K383 KENDA	To 31-August-2009		
13	2	125590011/0	Tyre 18x8.00-8 KINGS	From 01-September-2009		
14	2	125950000/0	Valve			
15	2	125670005/1	Washer			
16	2	112001010/0	Benzing Ring			
17	2	122110230/0	Hub Cover			