

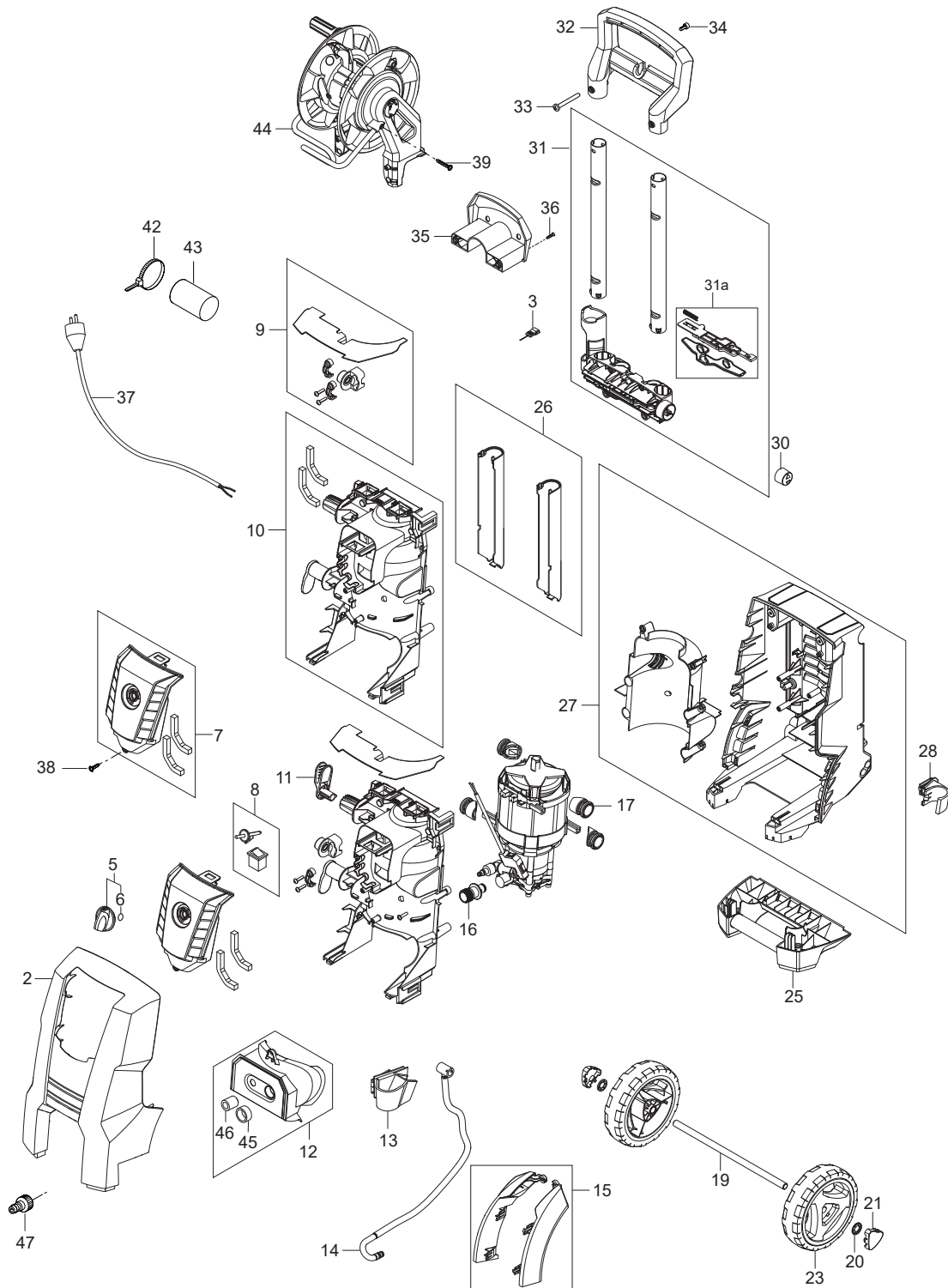
PARTS LIST



2019.11.25

TABLE OF CONTENTS

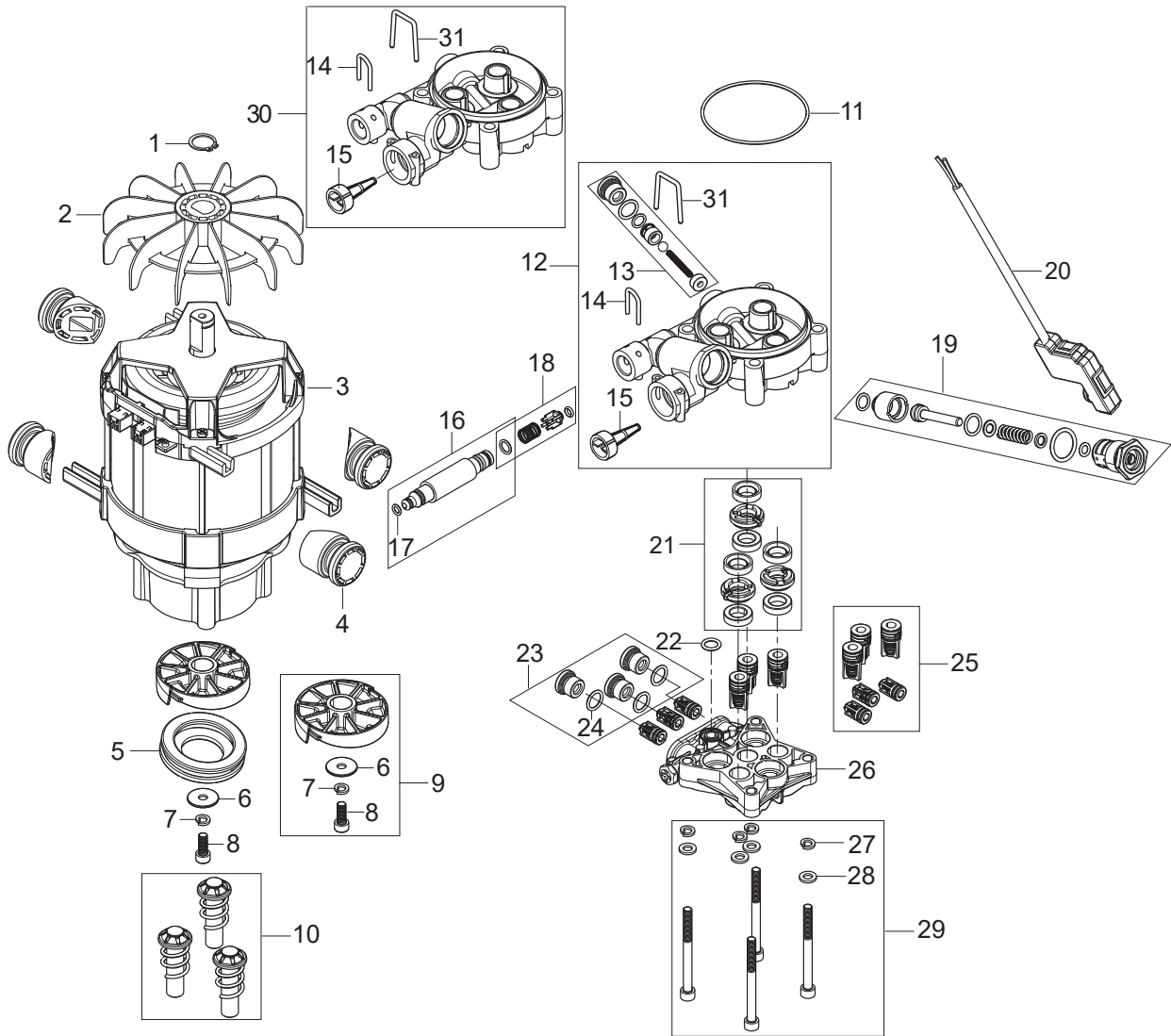
| | |
|------------------|---|
| Overview | 1 |
| Motor pump | 3 |
| Hose reel | 5 |



| Pos. | Артикул | кол-во | Описание | Notes |
|------|-----------|--------|--------------------------------------|-------|
| NS | 128500989 | 1 | 10PCS 4C BOX E145.4-9 | |
| NS | 128500990 | 1 | 10PCS 4C BOX E150.2-10 XTRA | |
| 2 | 128501159 | 1 | FRONT CABINET W. PRINT E145.4 | |
| 2 | 128501160 | 1 | FRONT CABINET W. PRINT E150.2 | |
| 3 | 6520844 | 1 | Инструмент для прочистки сопла | |
| 5 | 128500547 | 1 | SWITCH KNOB BLUE | |
| 6 | 9868 | 1 | Уплотнительное кольцо 10X2,5 | |
| 7 | 128500928 | 1 | SWITCH BOX | |
| 8 | 128500507 | 1 | SWITCH ON/OFF WITH SHAFT | |
| 9 | 128500815 | 1 | CABLE RELIEF KIT | |
| 10 | 128500927 | 1 | FRONT STRUCTURAL WITH GASKET | |
| 11 | 128500549 | 1 | ROTARY CABLE HOOK BLUE | |
| 12 | 128500550 | 1 | IN/OUTLET COVER KIT BLACK STD | |
| 12 | 128500551 | 1 | IN/OUTLET COVER KIT BLACK XTRA | |
| 13 | 128500512 | 1 | LANCE HOLDER | |
| 14 | 128500513 | 1 | INTERNAL HOSE XTRA | |
| 15 | 128500514 | 1 | WHEEL MUDGUARD | |
| 16 | 128500515 | 1 | WATER INLET NA01 | |
| 17 | 128500604 | 4 | VIBRATION DAMPER | |
| 19 | 128500517 | 1 | WHEEL AXLE | |
| 20 | 127440210 | 1 | заглушка | |
| 21 | 128500552 | 1 | WHEEL CAP | |
| 23 | 128500553 | 1 | WHEEL | |
| 25 | 128500520 | 1 | FRONT FOOT HIGH | |
| 26 | 128500521 | 1 | TUBE GUIDES | |
| 27 | 128500522 | 1 | MPU BACK COVER AND CHASSIS | |
| 28 | 128500523 | 1 | LANCE HOLDER TOP | |
| 30 | 128500554 | 1 | HANDLE LOCK BUTTON BLUE | |
| 31 | 128500931 | 1 | HANDLE TUBE AND ACC STORAGE | |
| 31a | 128500932 | 1 | SPRING FOR LOCK | |
| 32 | 128500527 | 1 | HANDLE | |
| 33 | 128500528 | 1 | NUT FOR HANDLE LOCK | |
| 34 | 128500529 | 1 | SCREW M4X8 ISO7045 A2-50-H PH | |
| 35 | 128500530 | 1 | HOSE HOOK | |
| 36 | 1814732 | 2 | SCREW K50X18 | |
| 37 | 128500532 | 1 | POWER CABLE EU | |
| 37 | 128500533 | 1 | POWER CABLE UK | |
| 37 | 128500535 | 1 | POWER CABLE AUS/NZ | |
| 38 | 107141838 | 33 | SCREW K50X18 WN1451 BLACK TORX20 | |
| 39 | 128500595 | 2 | SCREW K50X35 WN1452 BLACK TORX | |
| 42 | 1814741 | 1 | CABLE TIE | |
| 43 | 128500636 | 1 | CAPACITOR 25UF | |
| 44 | | 1 | Hose reel complete | [1] |
| 45 | 128500578 | 1 | INLET GASKET | |
| 46 | 128500579 | 1 | OUTLET GASKET | |
| 47 | 106404529 | 1 | GARDENA COUPLING MALE 3/4" ACCESSORY | |
| NS | 128501129 | 1 | 10 PCS 4C BOX DP E130.3 E140.3 | |

Part Notes:

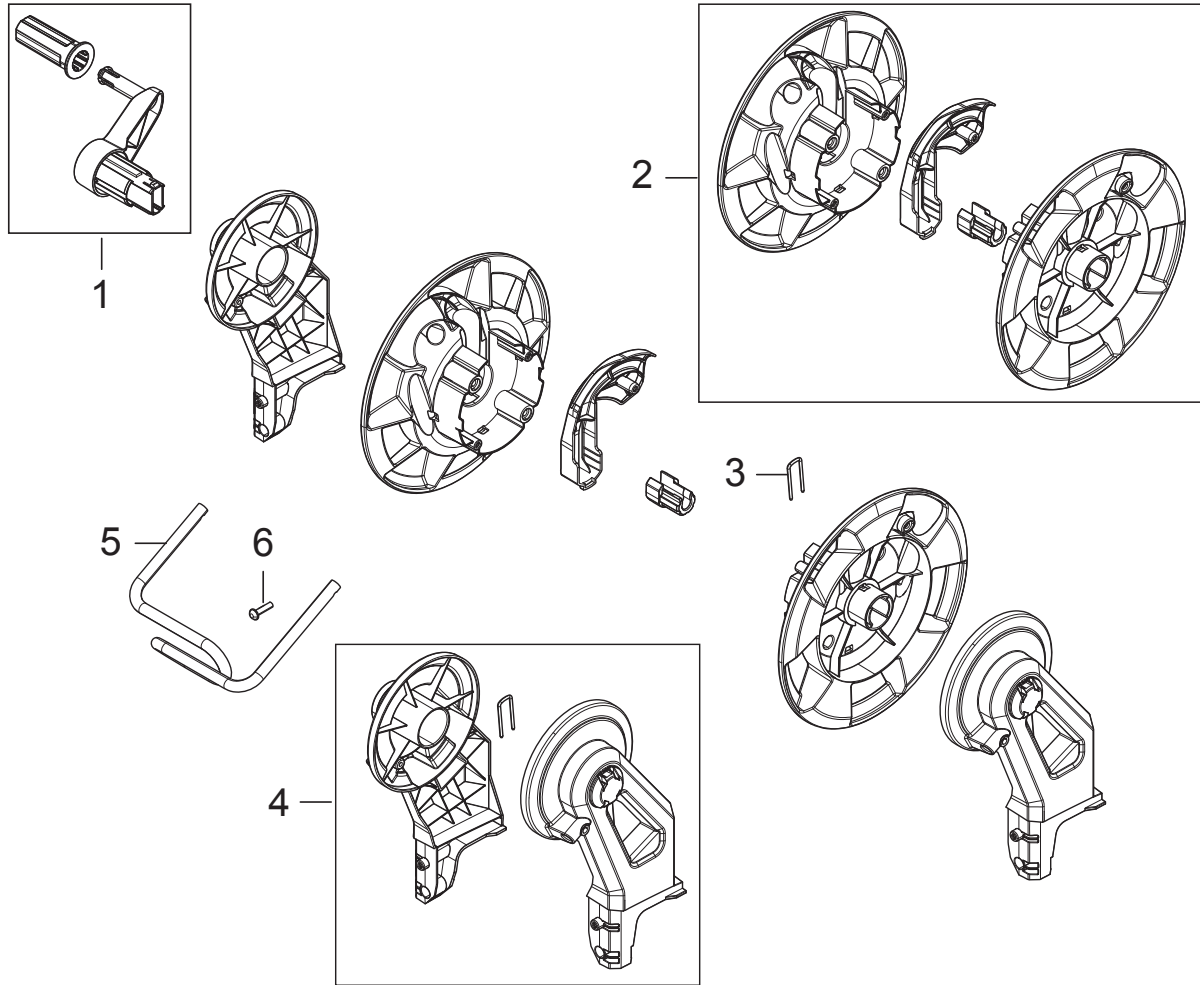
[1] - Hose reel



| Pos. | Артикул | кол-во | Описание | Notes |
|------|-----------|--------|---|-------|
| 1 | 127500051 | 1 | LOCK RING | |
| 2 | 127500040 | 1 | Крыльчатка | |
| 3 | 128500601 | 1 | MOTOR 230V/50HZ 2.1KW | |
| 4 | 128500604 | 4 | VIBRATION DAMPER | |
| 5 | 128500605 | 1 | THRUST BALL BEARING | |
| 6 | 127130066 | 1 | шайбаWASHER D22XD6.4X1.5 | |
| 7 | 127500050 | 1 | шайба | |
| 8 | 128500608 | 1 | SCREW M6X16 10.9 FZB ISO4762 | |
| 9 | 128500615 | 1 | Косая шайба | |
| 10 | 128500616 | 1 | ПЛУНЖЕР КОМПЛ. ЗШТ. | |
| 11 | 127440078 | 1 | Уплотнительное кольцо 72x2 | |
| 12 | 128500618 | 1 | БЛОК ЦИЛИНДРОВ С КЛАП. ЛЕГК СТАРТА | |
| 13 | 128500619 | 1 | КЛАПАН ЛЕГК. СТАРТА | |
| 14 | 128500620 | 1 | U-PIN OUTLET | |
| 15 | 128500195 | 1 | Входной фильтр | |
| 16 | 128500622 | 1 | OUTLET INSERT QUICK COUPLING | |
| 17 | 3004304 | 1 | Уплотнительное кольцо | |
| 18 | 128500624 | 1 | ОБРАТНЫЙ КЛАПАН | |
| 19 | 128501513 | 1 | START/STOP VALVE D.2.95 - REV. 2 - NA01 | [1] |
| 20 | 128500628 | 1 | МИКРОВОКЛЮЧАТЕЛЬ КОМПЛ. | |
| 21 | 128500993 | 1 | THRUST COLLAR WATER KIT | |
| 22 | 128500630 | 1 | O-RING 10.0X2.2 NBR 90 | |
| 23 | 128500851 | 1 | ЗАГЛУШКИ КЛАП. КОМПЛ. | |
| 24 | 127440085 | 3 | Кольцо | |
| 25 | 128500855 | 1 | КЛАПАНА КОМПЛ. ВХОД/ВЫХОД 6ШТ. | |
| 26 | 128500633 | 1 | ГОЛОВКА БЛОКА ЦИЛИНДРОВ | |
| 27 | 127500029 | 4 | WASHER | |
| 28 | 127500050 | 4 | шайба | |
| 29 | 127500071 | 1 | Заглушка | |
| 30 | 128500634 | 1 | CYLINDERBLOCK KIT | |
| 31 | 128500675 | 1 | U-PIN INLET | |

Part Notes:

- [1] - TSB-CON-HPW-2019-001 - Excellent-Dynamic -start-stop system
 DE TSB-CON-HPW-2019-001 Excellent Dynamic Start-Stop System



| Pos. | Артикул | кол-во | Описание | Notes |
|------|-----------|--------|----------------------------------|-------|
| 0 | 128500531 | 1 | Катушка для шланга в сборе | |
| 1 | 128500590 | 1 | HANDLE COMPLETE F.HOSE REEL | |
| 2 | 128500591 | 1 | KIT FOR HOSE REEL | |
| 3 | 128500592 | 1 | LOCK KIT | |
| 4 | 128500593 | 1 | HOSE REEL BRACKET KIT | |
| 5 | 128500594 | 1 | HOSE GUIDE BRACKET | |
| 6 | 128500595 | 2 | SCREW K50X35 WN1452 BLACK TORX | |
| 7 | 107141838 | 2 | SCREW K50X18 WN1451 BLACK TORX20 | |

