

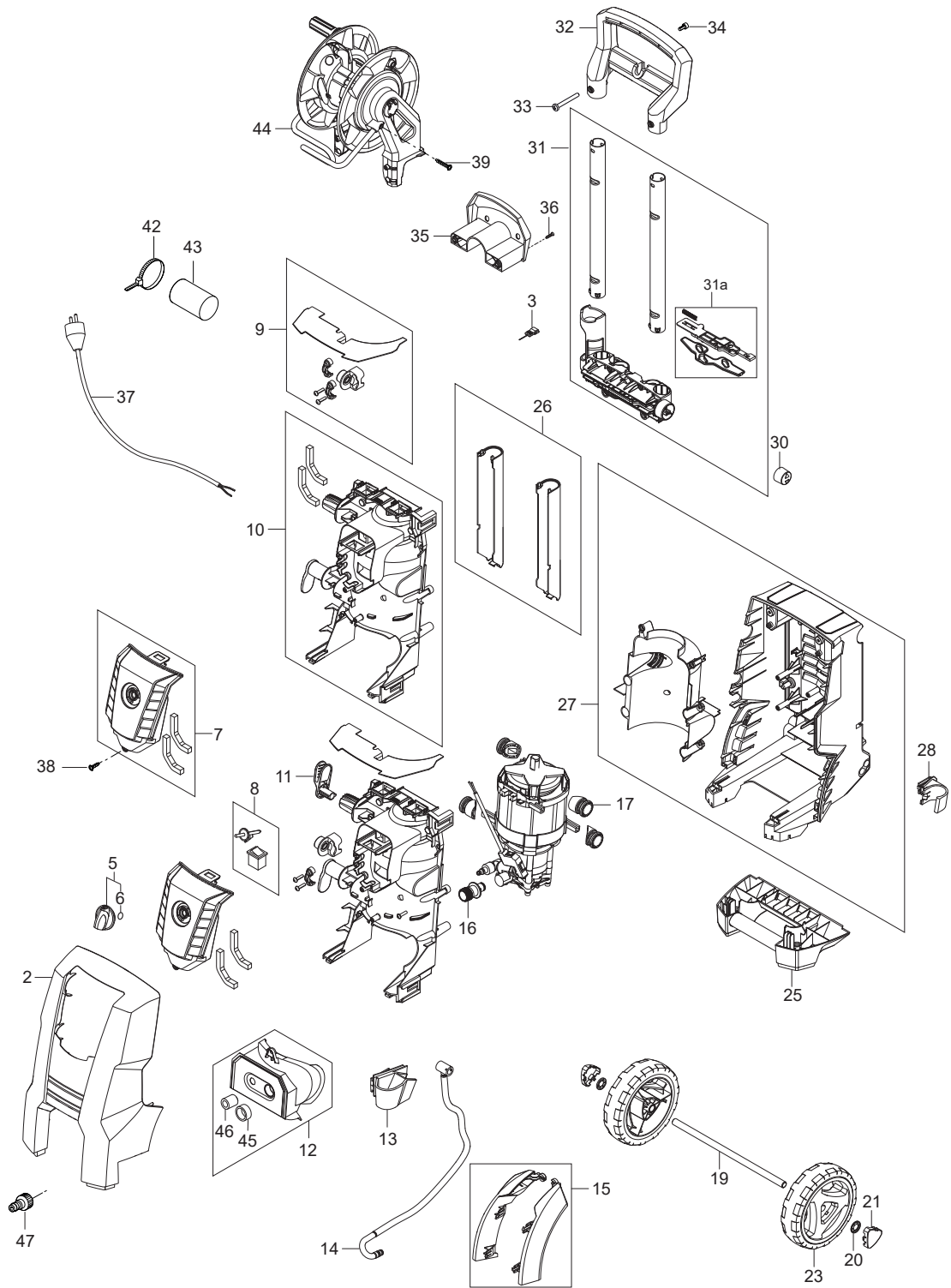
PARTS LIST



2020.02.18

TABLE OF CONTENTS

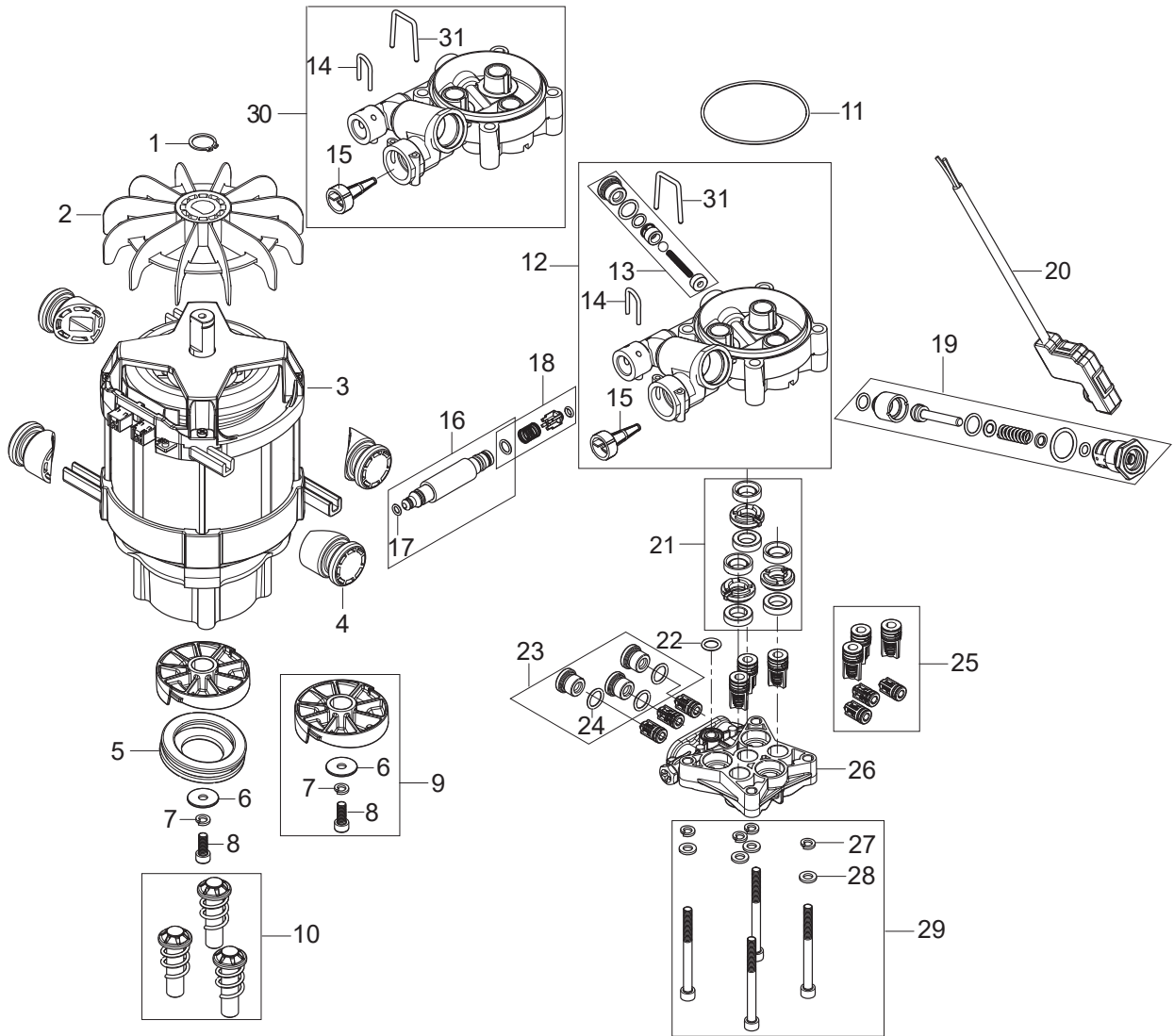
| | |
|---|----|
| Overview | 1 |
| Motor pump | 4 |
| Hose reel | 6 |
| Accessories_E145_3 | 8 |
| 128500461, 6410766 - Drain and tube cleaner | 10 |



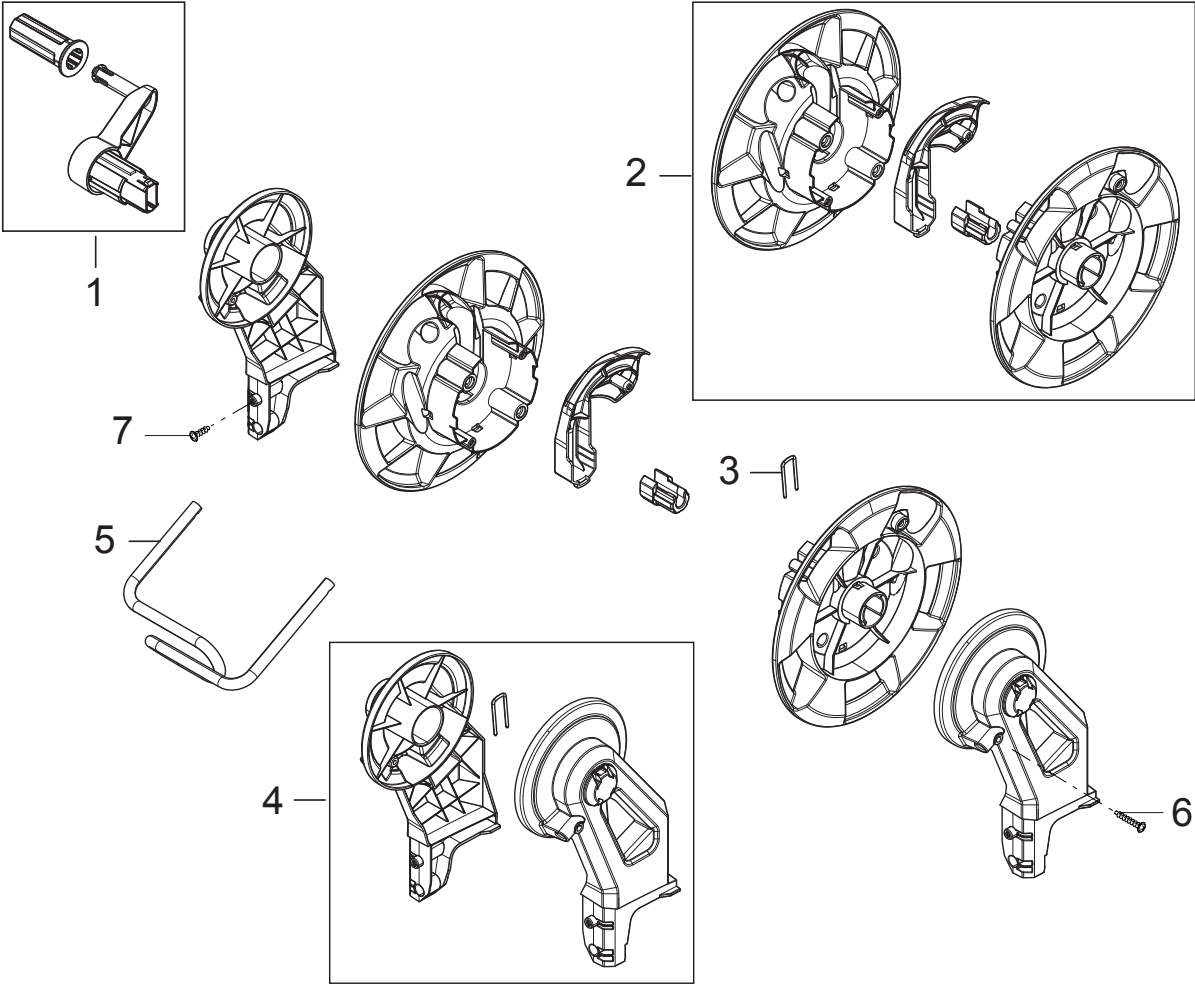
| Pos. | Артикул | кол-во | Описание | Notes |
|------|-----------|--------|--|-------|
| 2 | 128500544 | 1 | FRONT CABINET W. PRINT E130.3 | [1] |
| 2 | 128500545 | 1 | FRONT CABINET W. PRINT E140.3 | [1] |
| 2 | 128500546 | 1 | FRONT CABINET W. PRINT E145.3 | [1] |
| 3 | 6520844 | 1 | CLEANING TOOL BLACK | |
| 5 | 128500547 | 1 | SWITCH KNOB BLUE | |
| 6 | 9868 | 1 | O-RING 10,2x2,5 NBR 70SH | |
| 7 | 128500928 | 1 | SWITCH BOX | [2] |
| 8 | 128500507 | 1 | SWITCH ON/OFF WITH SHAFT | |
| 9 | 128500815 | 1 | CABLE RELIEF KIT | |
| 10 | 128500927 | 1 | FRONT STRUCTURAL WITH GASKET | [3] |
| 11 | 128500549 | 1 | ROTARY CABLE HOOK BLUE | |
| 12 | 128500550 | 1 | IN/OUTLET COVER KIT BLACK STD | [4] |
| 12 | 128500551 | 1 | IN/OUTLET COVER KIT BLACK XTRA | [5] |
| 13 | 128500512 | 1 | LANCE HOLDER | |
| 14 | 128500513 | 1 | INTERNAL HOSE XTRA | |
| 15 | 128500514 | 1 | WHEEL MUDGUARD | |
| 16 | 128500515 | 1 | WATER INLET NA01 | |
| 17 | 128500604 | 4 | VIBRATION DAMPER | |
| 19 | 128500517 | 1 | WHEEL AXLE | |
| 20 | 127440210 | 1 | LOCK WASHER | |
| 21 | 128500552 | 1 | WHEEL CAP | |
| 23 | 128500553 | 1 | WHEEL | |
| 25 | 128500520 | 1 | FRONT FOOT HIGH | |
| 26 | 128500521 | 1 | TUBE GUIDES | |
| 27 | 128500522 | 1 | MPU BACK COVER AND CHASSIS | |
| 28 | 128500523 | 1 | LANCE HOLDER TOP | |
| 30 | 128500554 | 1 | HANDLE LOCK BUTTON BLUE | |
| 31 | 128500931 | 1 | HANDLE TUBE AND ACC STORAGE | |
| 31a | 128500932 | 1 | SPRING FOR LOCK | |
| 32 | 128500527 | 1 | HANDLE | |
| 33 | 128500528 | 1 | NUT FOR HANDLE LOCK | |
| 34 | 128500529 | 1 | SCREW M4X8 ISO7045 A2-50-H PH | |
| 35 | 128500530 | 1 | HOSE HOOK | |
| 36 | 1814732 | 2 | SCREW K50X18 | |
| 37 | 128500532 | 1 | POWER CABLE EU | |
| 37 | 128500533 | 1 | POWER CABLE UK | |
| 37 | 128500535 | 1 | POWER CABLE AUS/NZ | |
| 38 | 107141838 | 33 | SCREW K50X18 WN1451 BLACK TORX20 | |
| 39 | 128500595 | 2 | SCREW K50X35 WN1452 BLACK TORX | |
| 42 | 1814741 | 1 | CABLE TIE | |
| 43 | 128500636 | 1 | CAPACITOR 25UF | |
| 44 | | 1 | Hose reel complete | [6] |
| 45 | 128500578 | 1 | INLET GASKET | |
| 46 | 128500579 | 1 | OUTLET GASKET | |
| 47 | 106404529 | 1 | GARDENA COMPATIBLE MALE 3/4" ACCESSORY | |
| NS | 128500560 | 1 | 10PCS 4C BOX TO NILFISK E130.3 | [7] |
| NS | 128500561 | 1 | 10PCS 4C BOX TO NILFISK E140.3 | [7] |
| NS | 128500245 | 1 | 10PCS 4C BOX E145.3 XTRA | [8] |
| NS | 128500762 | 1 | 10 PCS 4C BOX DP E130.3 E140.3 | [7] |
| NS | 128500764 | 1 | 10 PCS 4C BOX P E130.3 | [7] |
| NS | 128500765 | 1 | 10 PCS 4C BOX PA E130.3 E140.3 | [7] |
| NS | 128500767 | 1 | 10 PCS 4C BOX PAD E130.3 | [7] |
| NS | 128500768 | 1 | 10PCS 4C BOX PAW E130.3 E140.3 | [7] |
| NS | 128500774 | 1 | 10PCS 4CBOX PCAR E130.3 E140.3 | [7] |
| NS | 128500778 | 1 | 10PCS 4C BOX PI E130.3 E140.3 | [7] |
| NS | 128500782 | 1 | 10PCS 4C BOX PAD PLUS E130.3 | [7] |

Part Notes:

- [1] - Stock covers guarantee
- [2] - If produced before serial number 21136572 (week 50, 2015) then pls. read TSB
TSB-CON-HPW-2016-001-Excellent - Motor cover and Switch box cover update
DE TSB-CON-HPW-2016-001 Excellent Änderung an Motorabdeckung und Schalte...
- [3] - If produced before serial number 21136572 (week 50, 2015) then pls. read TSB
TSB-CON-HPW-2016-001-Excellent - Motor cover and Switch box cover update
DE TSB-CON-HPW-2016-001 Excellent Änderung an Motorabdeckung und Schalte...
- [4] - black STD
- [5] - black XTRA
- [6] - See Hose reel
- [7] - PACKAGING PRUNED
- [8] - GUARANTEE DATE EXPIRED



| Pos. | Артикул | кол-во | Описание | Notes |
|------|-----------|--------|---|-------|
| 1 | 127500051 | 1 | LOCK RING | |
| 2 | 127500040 | 1 | NEW FAN | |
| 3 | 128500601 | 1 | MOTOR 230V/50HZ 2.1KW | |
| 4 | 128500604 | 4 | VIBRATION DAMPER | |
| 5 | 128500605 | 1 | THRUST BALL BEARING | |
| 6 | 127130066 | 1 | WASHER D22XD6.4X1.5 | |
| 7 | 127500050 | 1 | SPRING WASHER | |
| 8 | 128500608 | 1 | SCREW M6X16 10.9 FZB ISO4762 | |
| 9 | 128500615 | 1 | WOBBLE DISC KIT 10.7 DEG | |
| 10 | 128500616 | 1 | PISTON COMPLETE KIT 3PCS | |
| 11 | 127440078 | 1 | O-RING 72X2 SH90 | |
| 12 | 128500618 | 1 | CYLINDERBLOCK KIT W.EASY START | |
| 13 | 128500619 | 1 | EASY START KIT | |
| 14 | 128500620 | 1 | U-PIN OUTLET | |
| 15 | 128500195 | 1 | INLET FILTER MESH SP | |
| 16 | 128500622 | 1 | OUTLET INSERT QUICK COUPLING | |
| 17 | 3004304 | 1 | Уплотнительное кольцо | |
| 18 | 128500624 | 1 | NON RETURN VALVE COMPLETE | |
| 19 | 128501513 | 1 | START/STOP VALVE D.2.95 - REV. 2 - NA01 | |
| 20 | 128500628 | 1 | MICROSWITCH BOX COMPLETE | |
| 21 | 128500993 | 1 | THRUST COLLAR WATER KIT | |
| 22 | 128500630 | 1 | O-RING 10.0X2.2 NBR 90 | |
| 23 | 128500851 | 1 | PRESSURE VALVE PLUG KIT | |
| 24 | 127440085 | 3 | O-RING 11.7X2.0 SH90 | |
| 25 | 128500855 | 1 | INLET OUTLET VALVE 6PCS | |
| 26 | 128500633 | 1 | CYLINDER HEAD R CYLINDER HEAD | |
| 27 | 127500029 | 4 | WASHER | |
| 28 | 127500050 | 4 | SPRING WASHER | |
| 29 | 127500071 | 1 | SCREW M6X70 DIN 912 4PCS | |
| 30 | 128500634 | 1 | CYLINDERBLOCK KIT | |
| 31 | 128500675 | 1 | U-PIN INLET | |



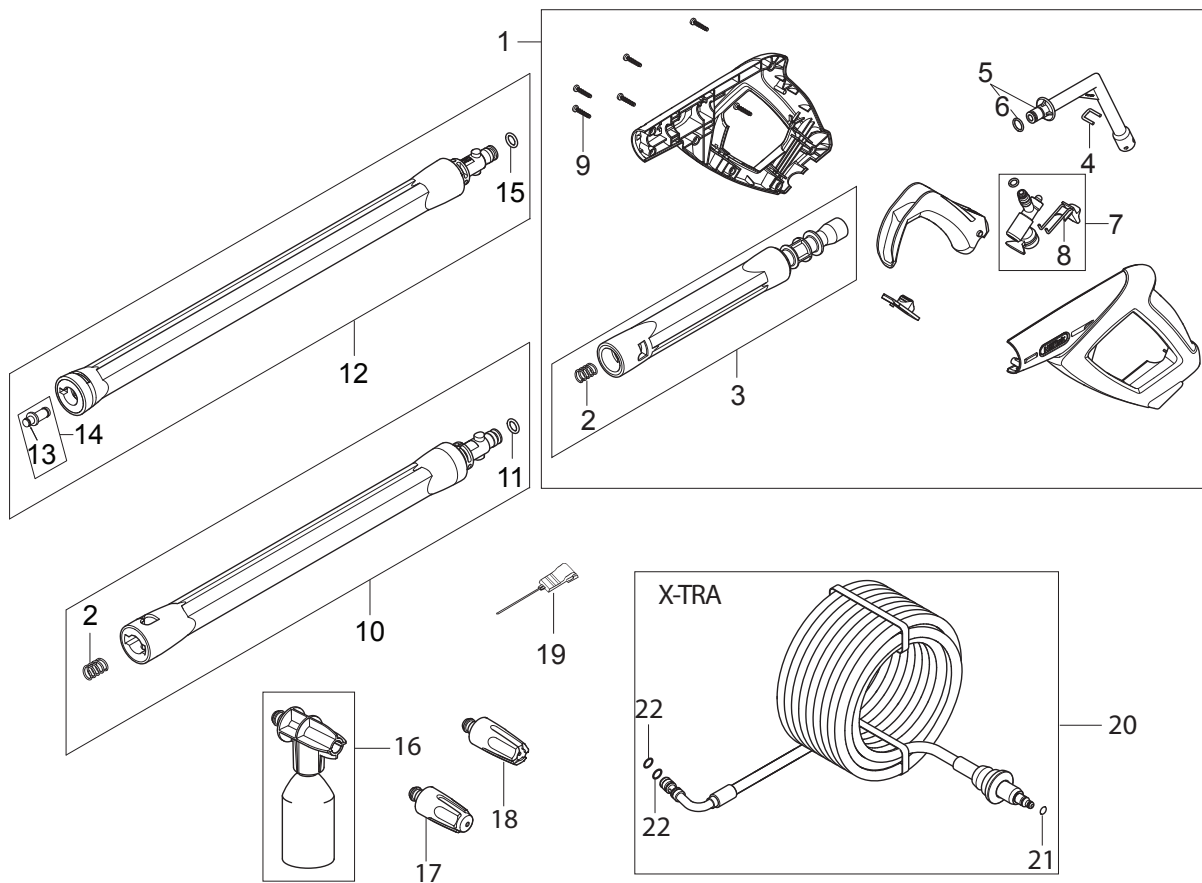
Hose reel

E 145.3-10 DPH X-TRA

2017.11.02

2017.04.06

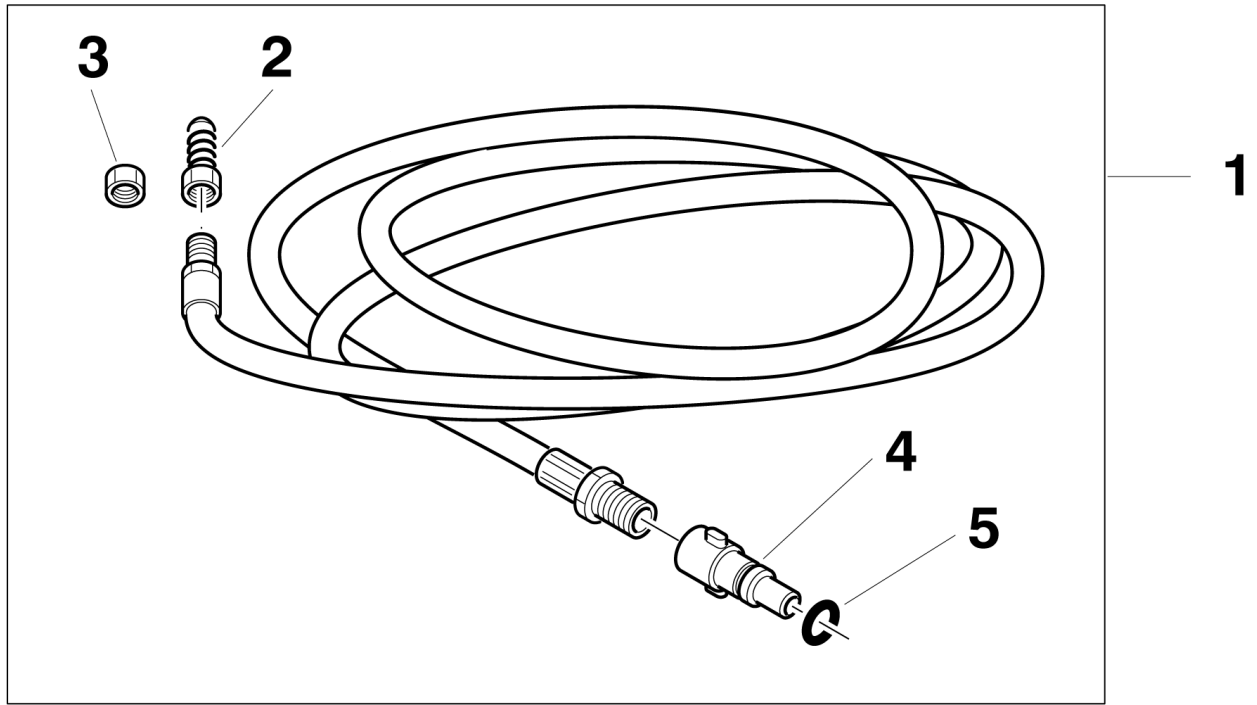
| Pos. | Артикул | кол-во | Описание | Notes |
|-------------|----------------|---------------|----------------------------------|--------------|
| 0 | 128500531 | 1 | HOSE REEL COMPLETE | |
| 1 | 128500590 | 1 | HANDLE COMPLETE F.HOSE REEL | |
| 2 | 128500591 | 1 | KIT FOR HOSE REEL | |
| 3 | 128500592 | 1 | LOCK KIT | |
| 4 | 128500593 | 1 | HOSE REEL BRACKET KIT | |
| 5 | 128500594 | 1 | HOSE GUIDE BRACKET | |
| 6 | 128500595 | 2 | SCREW K50X35 WN1452 BLACK TORX | |
| 7 | 107141838 | 2 | SCREW K50X18 WN1451 BLACK TORX20 | |



| Pos. | Артикул | кол-во | Описание | Notes |
|------|-----------|--------|--------------------------------|-------|
| 1 | 128500072 | 1 | G5 SPRAY HANDLE | |
| 2 | 2602500 | 1 | SPRING F.INTERMEDIATE TUBE | |
| 3 | 127440051 | 1 | INTERMEDIATE TUBE G5 | |
| 4 | 6525232 | 1 | Замок | [1] |
| 5 | 126481103 | 1 | PRESSURE TUBE W. O-RING | |
| 6 | 301003043 | 1 | Кольцо | |
| 7 | 127440049 | 1 | VALVE HOUSE COMPLETE BLUE | |
| 8 | 127440052 | 1 | SPRING BUTTOM TUBE | |
| 9 | 101814698 | 8 | SCREW 3X16 | |
| 10 | 128500075 | 1 | G5 SPRAY LANCE | |
| 11 | 3004279 | 1 | O-RING 9.3X2.4 NITRIL 90 SH | |
| 12 | 128500074 | 1 | G4 C&C SPRAY LANCE LONG VER. | |
| 13 | 3004312 | 1 | O-RING 7X1.2 NITRIL 90 SHORE | |
| 14 | 126481109 | 1 | LOW PRESSURE NOZZLE W.O-RINGS | |
| 15 | 126481125 | 1 | O-RING 9.0X2.6 SH90 NBR | |
| 16 | 128500077 | 1 | C&C FOAMSPRAYER WITH BOTTLE | |
| 17 | 128500033 | 1 | C&C POWER SPEED TURQUOISE | |
| 18 | 128500657 | 1 | PR TORNADO RED2 LINES CLICK | [2] |
| 19 | 6520844 | 1 | CLEANING TOOL BLACK | |
| 20 | 128500656 | 1 | HOSE STEEL ARMED 10M FOR MODEL | [2] |
| 21 | 3004304 | 1 | Уплотнительное кольцо | |
| 22 | 3004321 | 2 | O-RING 10x2 PUR 90SH P5000 | |

Part Notes:

- [1] - STOCK COVERS GUARANTEE
 [2] - E145.3



| Pos. | Артикул | кол-во | Описание | Notes |
|------|-----------|--------|---------------------------------------|-------|
| | | | IS 126411837 - Drain and tube cleaner | [1] |
| 1 | 128500461 | 1 | DRAIN AND TUBE 8M | [2] |
| 1 | 6410766 | 1 | DRAIN AND TUBE CLEANER ALTO | [3] |
| 2 | 6410790 | 1 | SPRING F. TUBE CLEANER | |
| 3 | 6410696 | 1 | UNION NUT F. TUBE CLEANER | [4] |
| 4 | 6120486 | 1 | Бысторазъемное соединение | |
| 5 | 3001211 | 1 | O-RING 9.6X2.4 NITRIL 70SH | |
| 5 | 6411218 | 1 | BAG WITH 10 O-RINGS 3001211 | |

Part Notes:

- [1] - IS 126411837 - Drain and Tube cleaner
- [2] - 8M
- [3] - 15M DT
- [4] - STOCK COVERS GUARANTEE

