

# PARTS LIST

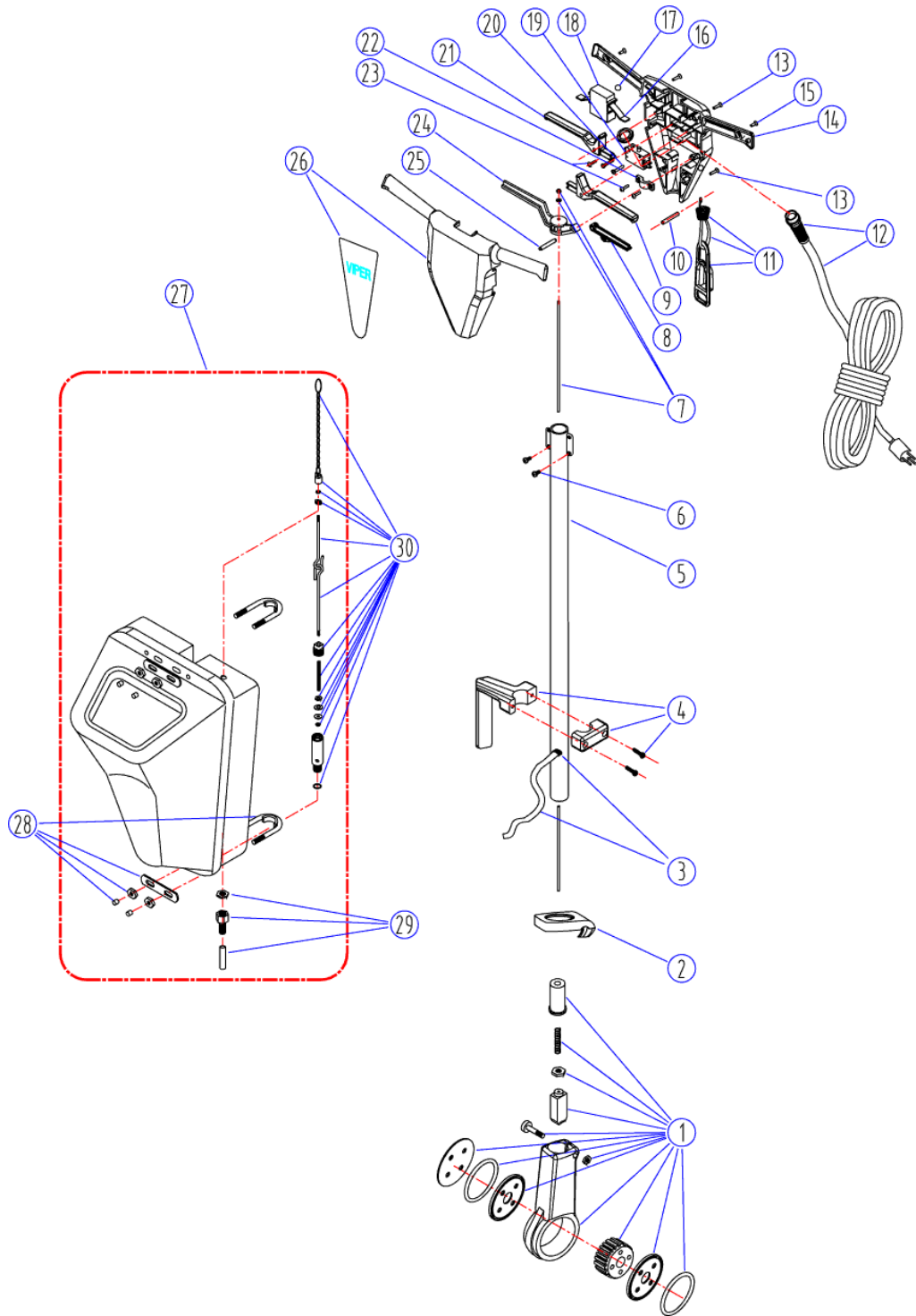


2019.07.29

# TABLE OF CONTENTS

---

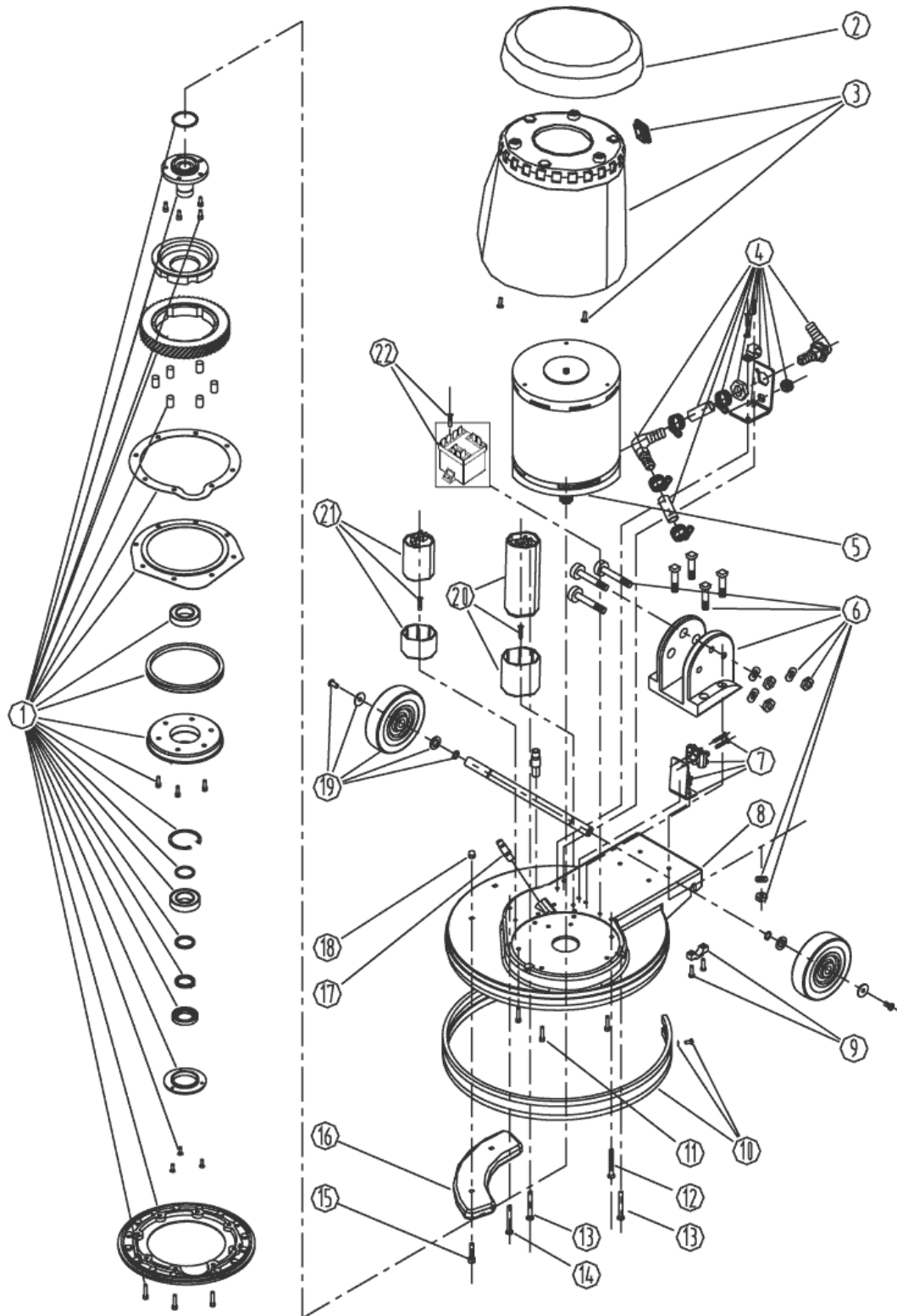
Handle .....	1
Base .....	3
Wiring - Wear and Tear parts .....	5
DF100-A Foam Generator art no. 50000055 .....	7



No.	Part No.	Qty.	Description	Part Note
01	VF40104EU	1	SEAT KIT EXTREME INCL. COVER & GEAR & O	
02	GV40241	1	SEAL	
03	VF72724EU	1	POWER CORD 1.5M	
04	VF50122EU	1	COVER FOR HOOK KIT EXTREME INCL. HOOK &	
05	VF40117	1	TUBE STEEL Ø32	
06	GT13054	2	SCREW PAN HEAD M5X12	
07	GV40220B	1	ROD LEVELING	
08	GV40213B	1	LEVER FOR SOLUTION	
09	VF72703	1	LEVER LEFT FOR SWITCH	
10	GV40223	1	PIN Ø3	
11	GV40222	1	CORD WARP	
12	VF45118-K	1	POWER CORD 15M	
13	GT13009	6	SCREW OVAL HEAD M5 X 30	
14	VF73701	1	REAR COVER	
15	GT13008	2	SCREW FLAT HEAD M5 X 20	
16	GV40218	1	SPRING FOR SAFETY BUTTON	
17	VF72723	1	STEEL BALL Ø10	
18	GV40209	1	SAFETY BOTTON	
19	40263A	1	SWITCH DPST	
20	GT13011	2	SCREW PAN HEAD ST3X25	
21	VF72704	1	LEVER RIGHT SWITCH	
22	VF48309	1	CLAMP BLOCK	
23	VV13667	3	SCREW PAN HEAD M4X8	
24	GV40210B	1	LEVELING HANDLE	
25	VF48306	4	PIN Ø6	
26	VF73702	1	REAR COVER	
27	VF001	1	WATER TANK	
28	VF40141	2	CLAMP PLATE	
29	VF40132	1	BARB HOSE	
30	VF40131A	1	VALVE BODY	
NI	VF74837	1	CARDBOARD CARTON FOR VE17HDP 50000056	[1]

## Part Notes:

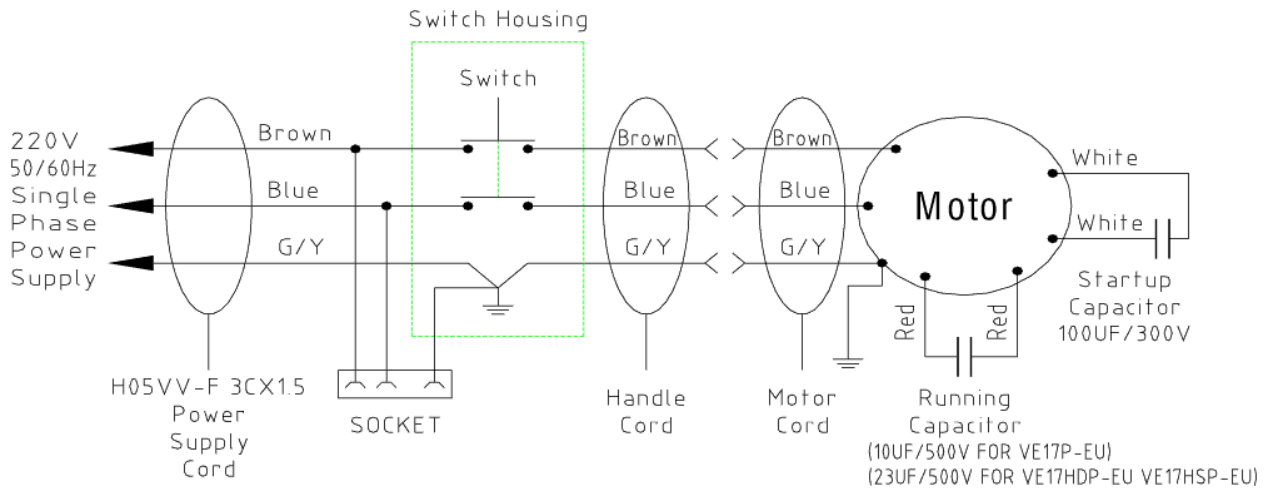
- [1] - Not illustrated  
SEE PI 2017-002



No.	Part No.	Qty.	Description	Part Note
01	VF46107EU	1	CLUTCH PLATE KIT EXTREME INCL.SCREW & AL	
02	VF72122	1	TOP COVER	
03	VF72121DS	1	COVER MOTOR	
04	VF72126EU	1	BRACKET KIT EXTREME INCL. ELBOW & CLAMP	
05	YLQ26000EU	1	AC INDUCTION MOTOR	[1]
06	GV40240H	1	MOUNTING BASE GEAR	
07	VF72125EU	1	BRACKET KIT EXTREME INCL. TERNIMAL BLOCK	
08	VF72201NE	1	FRAME 17 INCH	
09	VF46120EU	1	AXLE KIT EXTREME INCL. CLAMP BLOCK & SEL	
10	VF46118EU	1	BUMPER KIT EXTREME INCL. SCREW & WASHER	
11	VF14053	6	HEX SOCKET SCREW M6x25	
12	GT13027	1	SCREW PAN HEAD M5X45	
13	VF14112	2	SCREW PAN HEAD M5X38	[2]
14	VF14305	1	SCREW PAN HEAD M5X60	
15	VF14067	2	SCREW M8X25	
16	VF46131	1	IRON BAR	
17	VF40152	2	BARB HOSE	
18	VA13490	2	NUT M8	
19	VF99004EU	1	NON-MARKING 4INCH WHEEL KIT & RETAINING	
20	VF72124A	1	HOLDER KIT EXTREME INCL. SCREW & START-1	
21	VF72124E	1	HOLDER KIT EXTREME INCL. SCREW & RUNNING	

Part Notes:

- [1] - STOCK COVERS GUARANTEE
- [2] - SEE PI 2017-002

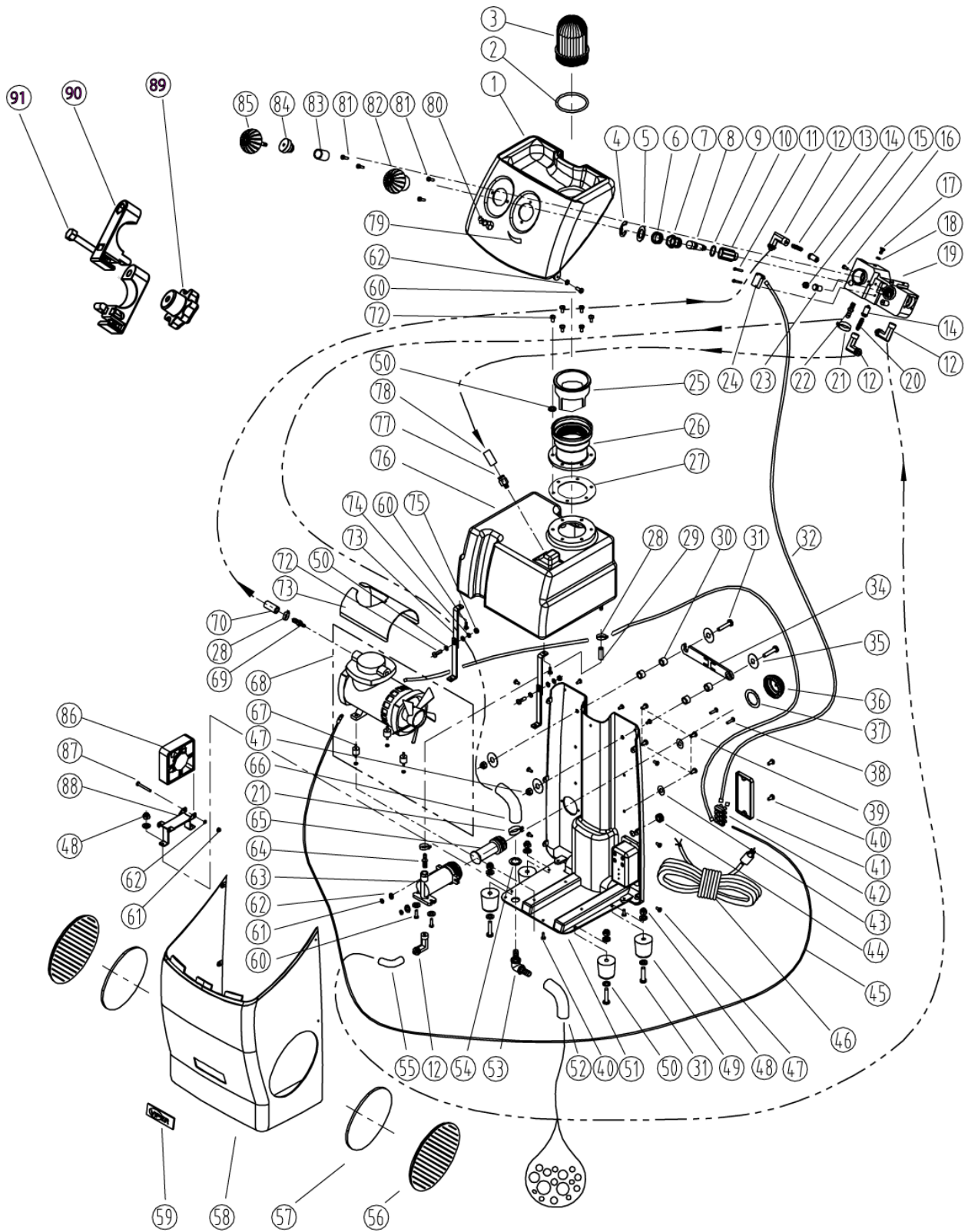


No.	Part No.	Qty.	Description	Part Note
01	VF45118EU	1	POWER CORD EU PLUG KIT EXTREME INCL. STR	
02	VF45118UG	1	POWER CORD UK PLUG KIT EXTREME INCL. STR	
03	40263A	1	SWITCH DPST	
04	VF99004EU	1	NON-MARKING 4INCH WHEEL KIT & RETAINING	
05	VF72124A	1	HOLDER KIT EXTREME INCL. SCREW & START-1	
06	VF72123A	1	HOLDER KIT EXTREME INCL. SCREW & RUNNING	
07	VF46107EU	1	CLUTCH PLATE KIT EXTREME INCL.SCREW & AL	
08	YCQ19000	1	AC INDUCTION MOTOR	[1]
09	VF003	1	POLY SCRUB BRUSH 16 INCH	
10	VF021	1	PAD DRIVER 16 INCH	

## Part Notes:

[1] - STOCK COVERS GUARANTEE





No.	Part No.	Qty.	Description	Part Note
00	50000055	1	FOAM GENERATOR DF-100A	
01	VF46403	1	UPPER COVER	
02	VF14227	1	O-RING	
03	VF46404	1	KIT TANK KNOB INTAKE	
04	VF14120	1	RETAINING RING EXTERNAL DIAMETER 8	
05	VF46457	1	WASHER SST	
06	VF46422-3	1	Y RING DIAMETER 12	
07	VF46422-2	1	NUT ADJUSTING VALVE	
08	VF46422-4B	1	PIN ADJUSTING VALVE	
09	VF46456	1	WASHER BRASS	
10	VF46455	1	BIG NUT	
11	VV13616	2	PH SCREW M3x16	
12	VF46466	4	90 DEG BLBOW	
13	VF46422-19	1	SPRING SHORT	
14	VF46422-11	2	VALVE	
15	VF46422-15	1	NUT M14	
16	VF46422-5	1	PIN	
17	VF46422-10	5	COVER	
18	VF46422-9	5	O RING DIAMETER 1 2/25 x DIAMETER 3 3/20	
19	VF46422-8A	1	VALVE BODY	
20	VF46422-18	1	SPRING LONG	
21	VV10114	2	CLAMP	
22	VF46422-13	1	BARB HOSE	
23	VF46422-17	1	VALVE	
24	VF46422-6	1	MICRO SWITCH	
25	VF46454	1	FILTER INTAKE TANK	
26	VF46426	1	INTAKE TANK	
27	VF46462	1	GASKET INTAKE TANK	
28	VF46400	3	CLAMP	
29	VF46467	1	HOSE	
30	VF47034	4	SPACER CLAMP PLATE	
31	VA13475	4	SCREW M5X25	
32	VF46450	1	CORD MICRO SWITCH	
34	VF47032	1	CLAMP PLATE SOLUTION TANK	
35	VV20276	2	WASHER PLAIN	
36	VF46419	1	COVER FILTER OUTLET TANK	
37	VF46420	1	WASHER COVER OUTLET	
38	VA13473	2	SCREW M4X PH	
39	VV20509	4	SCREW M5 X 10	
40	VA13477	2	ST4.2X16	
41	VF46410	1	COVER WIRING BOX	
42	VF46483	1	CONNECTOR	
43	VF13474A	8	WASHER PLAIN f5xf16	
44	VF50120	1	GROMMET	
45	VF46453	1	GROUNDING WIRE	
46	VF45117	1	POWER CORD SJTW 3 x 16AWG 1 7/20M	
47	VF14300	6	SCREW M4 x 8 PH	
48	GT13022	6	NUT NYLON INSERT M5	
49	VV30125	4	RUBBER STAND	
50	VA13482	14	WASHER PLAIN DIA.5.0	
51	VF46402A	1	REAR COVER	
52	VF46445	1	HOSE FOAMING FRAME END	
53	VF46441	1	BLBOW HOSE FOAMING	
54	VF46442	1	NUT BLBOW HOSE	
55	VF46437	1	HOSE SL INLET VALVE	
56	VF46408	2	COVER FRESH AIR PUMP	
57	VF46407	2	FILTER FRESH AIR PUMP	
58	VF46401	1	FRONT COVER	

No.	Part No.	Qty.	Description	Part Note
59	VF47035A	1	VIPER LOGO	
60	VF13491	8	SCREW M4X12	
61	GT13014	4	NUT M4 NYLON INSERT	
62	VV13664	1	WASHER PLAIN DIA.4	
63	VF46418	1	FILTER HOLDER OUTLET TANK	
64	VF46465	2	BRASS FILTER	
65	VF46435	1	FILTER OUTLET TANK	
66	VF46438	1	HOSE OUTLET VALVE	
67	VF46463	1	MOUNTING SCREW PUMP	
68	YQ11000	1	PUMP	
69	VF46405	1	BARB OUTLET COMPRESSED AIR PUMP	
70	VF46444	1	HOSE COMPRESSED AIR OUTLET PUMP	
71	VF46449	1	SHIELD PUMP	
72	VV20501	8	PH SCREW M5X14 SST	
73	VF46413	4	SURPORT RIB TANK	
74	VV13601	2	WASHER LOCK M5	
75	VV13633	2	NUT M5	
76	VF46425	1	TANK	
77	VF46475	1	BLBOW R1/4	
78	VF46439	1	HOSE COMPRESSED AIR INLET TANK	
79	VF46428	1	ICON ADJUSTING	
80	VF46427	1	ICON FOAMING	
81	VF14301	5	SCREW M4x12	
82	VF46415	1	KNOB ADJUSTING	
83	VF46406C	1	FOAMING GENERATOR	
84	VF46411-3	1	GASKET	
85	VF46411	1	KNOB ASSY FOAMING	
86	VF46468	1	FAN	
87	VF46469	1	BRACKET FAN	
88	VF14077	2	SCREW M4 x 35 PH	
89	VF46486	2	KNOB CLAMP	
90	VF73706	4	PLASTIC MOUNTING BRACKET	
91	GT13019	2	HEX SCREW M6x45	

