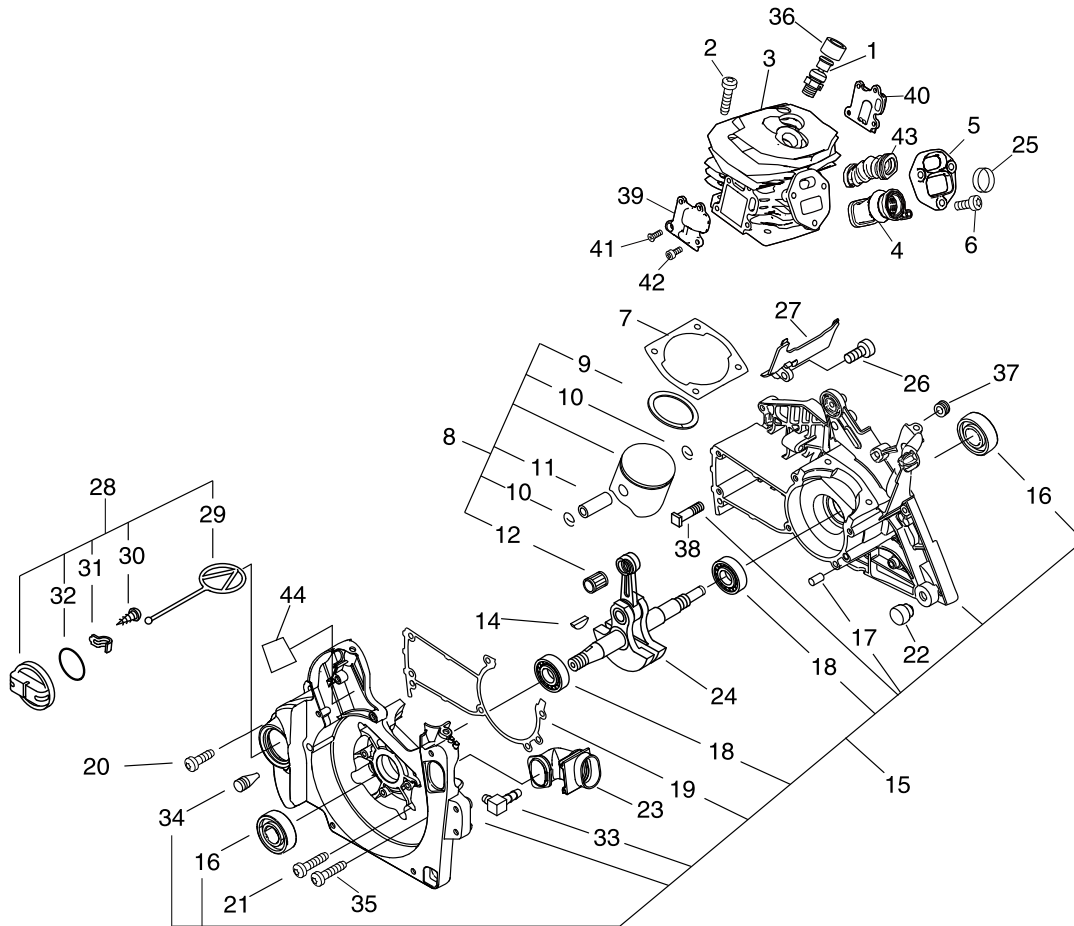


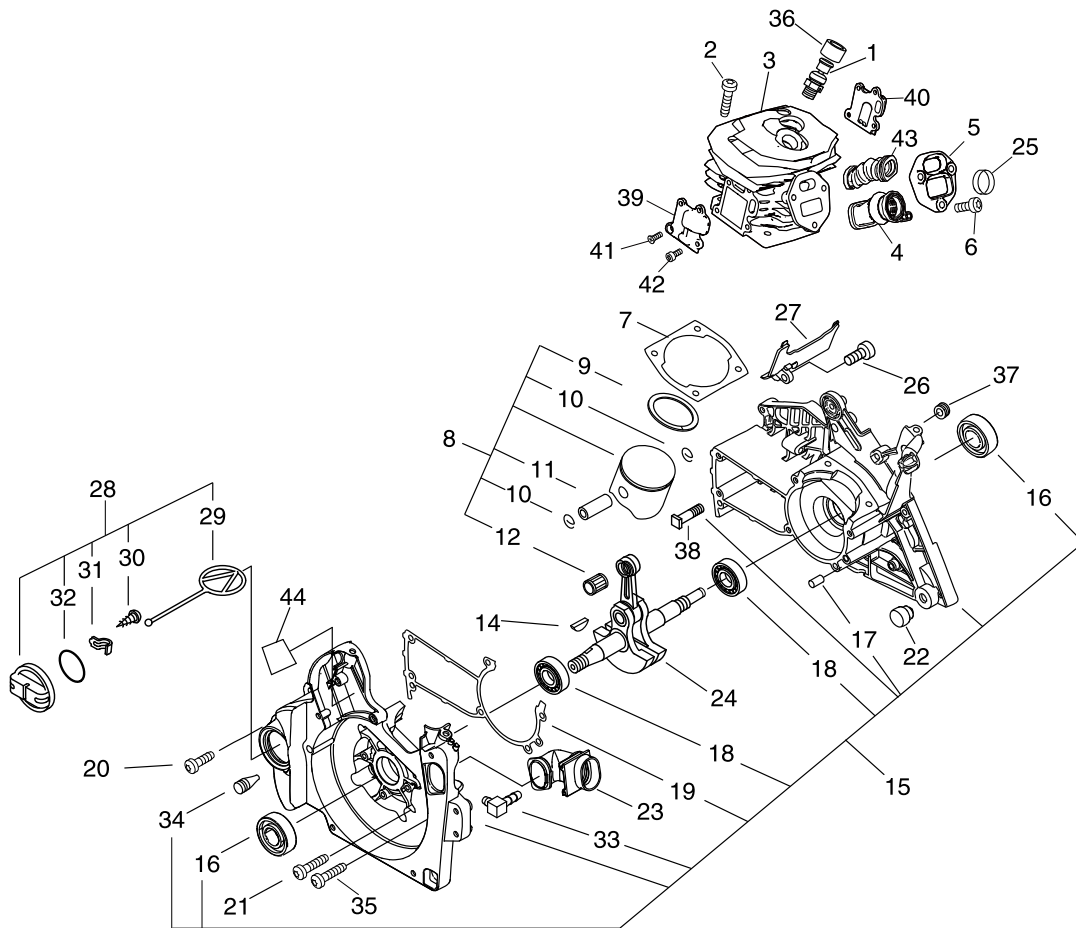


PARTS CATALOG

CHAIN SAW CS-550(30)



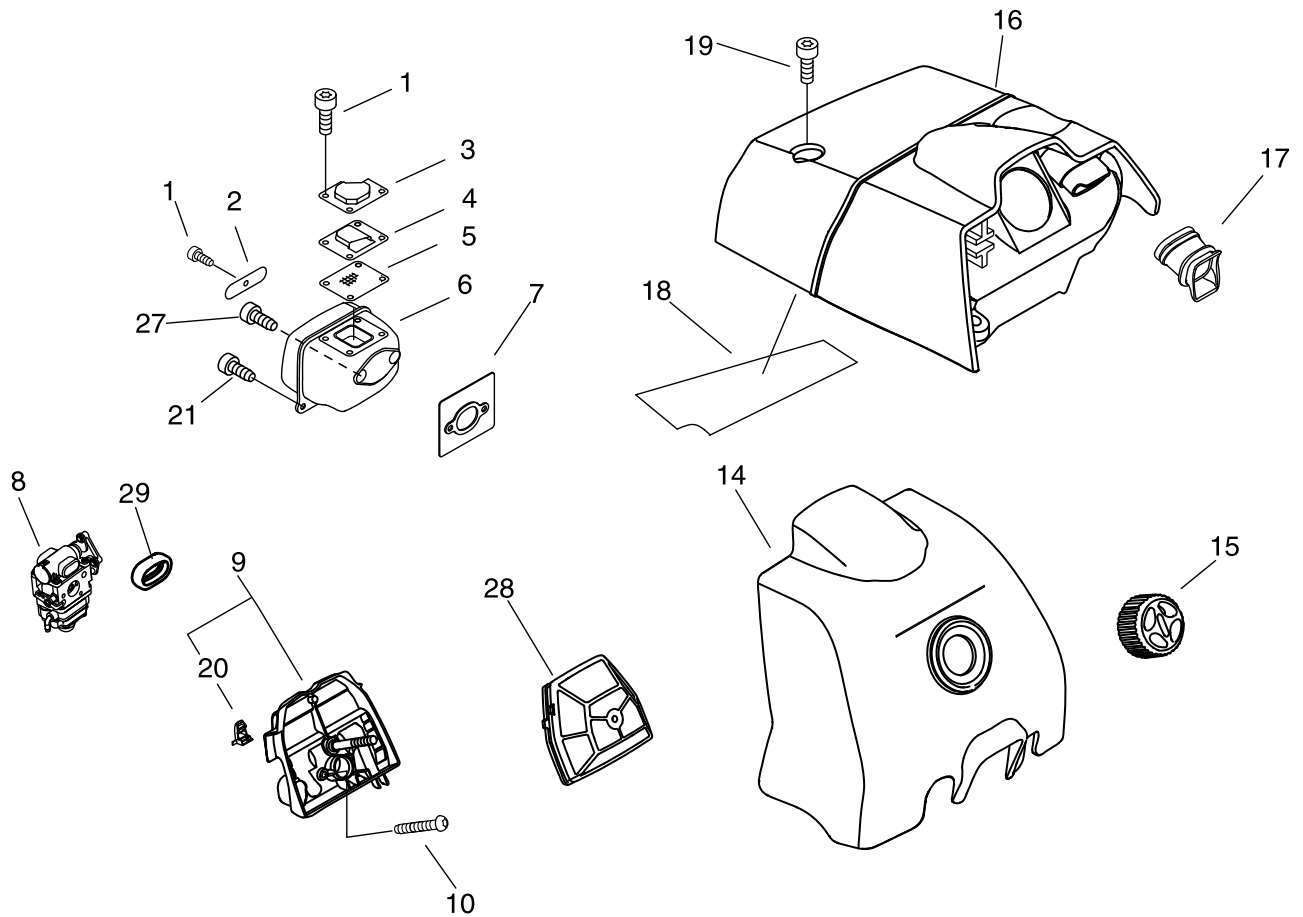
KEY	LV	PART NUMBER	Q'TY	DESCRIPTION	REMARKS
1		A014-000040	1	DECOMP,ASM	
2		V805-000220	4	BOLT, TORX 5	
3		A130-001740	1	CYLINDER	
4		A202-000220	1	BELLOWS, INTAKE	
5		A206-000021	1	HOLDER, BELLOWS	
6		V805-000000	3	BOLT, TORX 5	
7		V100-000630	1	GASKET,CYL	
8		P021-036680	1	PISTON KIT	
9	+	A101-000590	1	RING, PISTON	
10	+	100015-32330	2	CIRCLIP, PISTON PIN	
11	+	V609-000000	1	PIN,ENG 11	
12	+	V556-000000	1	BEARING,NEEDLE 11	
14		100142-30830	1	KEY, WOODRUFF	
15		P021-036690	1	CRANKCASE KIT	
16	+	V508-000010	2	SEAL,OIL 15	
17	+	100215-02830	2	PIN, DOWEL	
18	+	94036-46202	2	BEARING BALL	
19	+	V102-000210	1	GASKET,CRANKCASE	
33	+	437239-14730	1	NIPPLE	
34	+	436114-13930	1	VALVE, CHECK	
38	+	V205-000400	2	BOLT, 8	
20		V805-000010	2	BOLT, TORX 5	
21		V805-000020	4	BOLT, TORX 5	
22		V420-003800	2	CUSHION	
23		A239-000060	1	PIPE, INTAKE	
24		A011-001100	1	CRANKSHAFT,ASY	



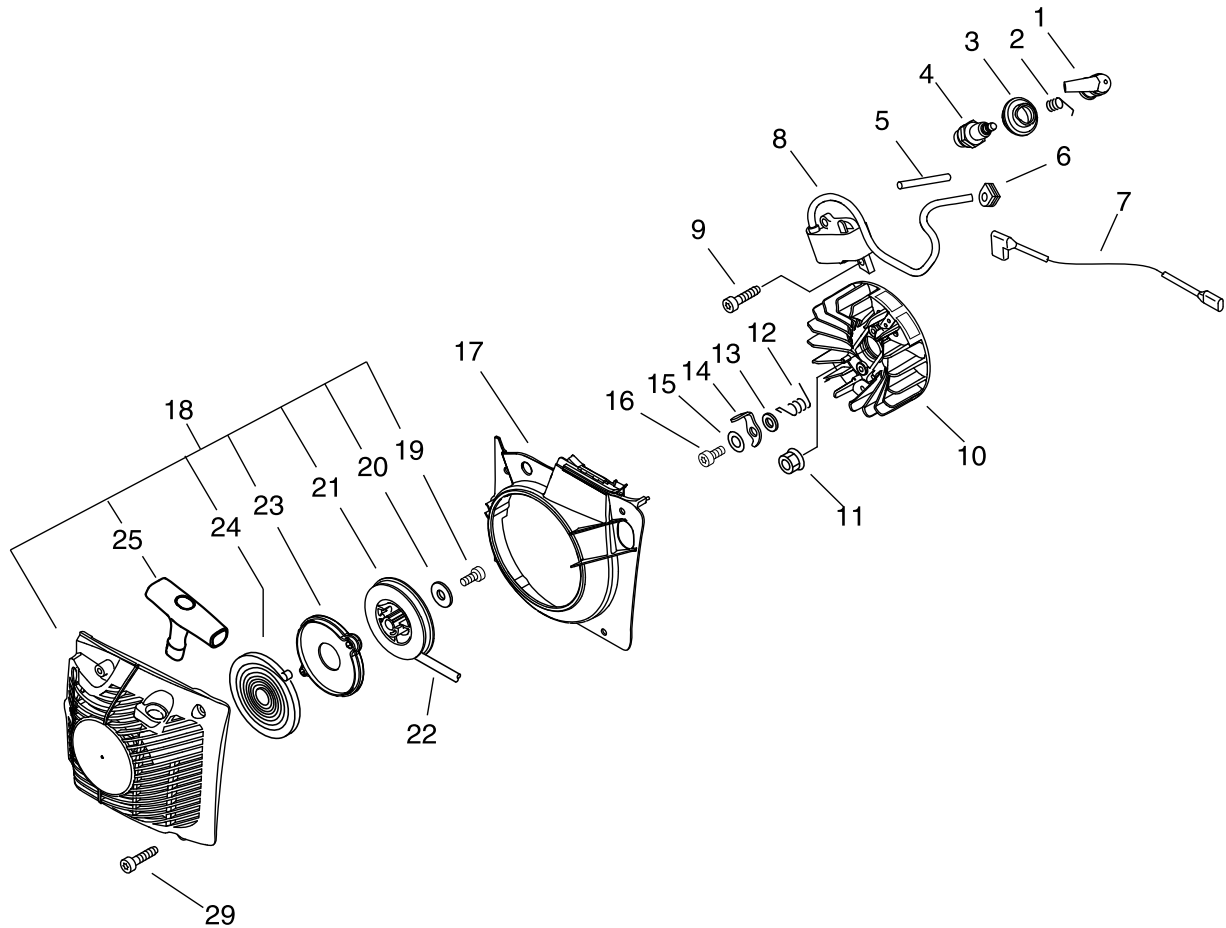
KEY	LV	PART NUMBER	Q'TY	DESCRIPTION	REMARKS
25		V359-000060	1	COLLAR,16	
26		V805-000000	1	BOLT, TORX 5	
27		E106-000150	1	GUIDE,AIR	
28		P021-016030	1	CAP, OIL	
29	+	131051-19830	1	LINK	
30	+	900246-03008	1	SCREW 3*8	
31	+	131050-19830	1	RETAINER, LINK	
32	+	900720-00028	1	O-RING 28	
35		V805-000170	1	BOLT, TORX 5	
36		V141-000090	1	GROMMET,PLUG	
37		132115-01461	1	GROMMET	
39		P021-036670	1	FIXTURE,VALVE KIT M	
40		P021-036660	1	FIXTURE,VALVE KIT D	
41		900212-04014	2	SCREW 4*14	
42		V804-000050	6	BOLT, TORX 4	
43		A202-000210	1	BELLOWS, INTAKE	
44		V376-001780	1	SPACER	

CS-550(30)

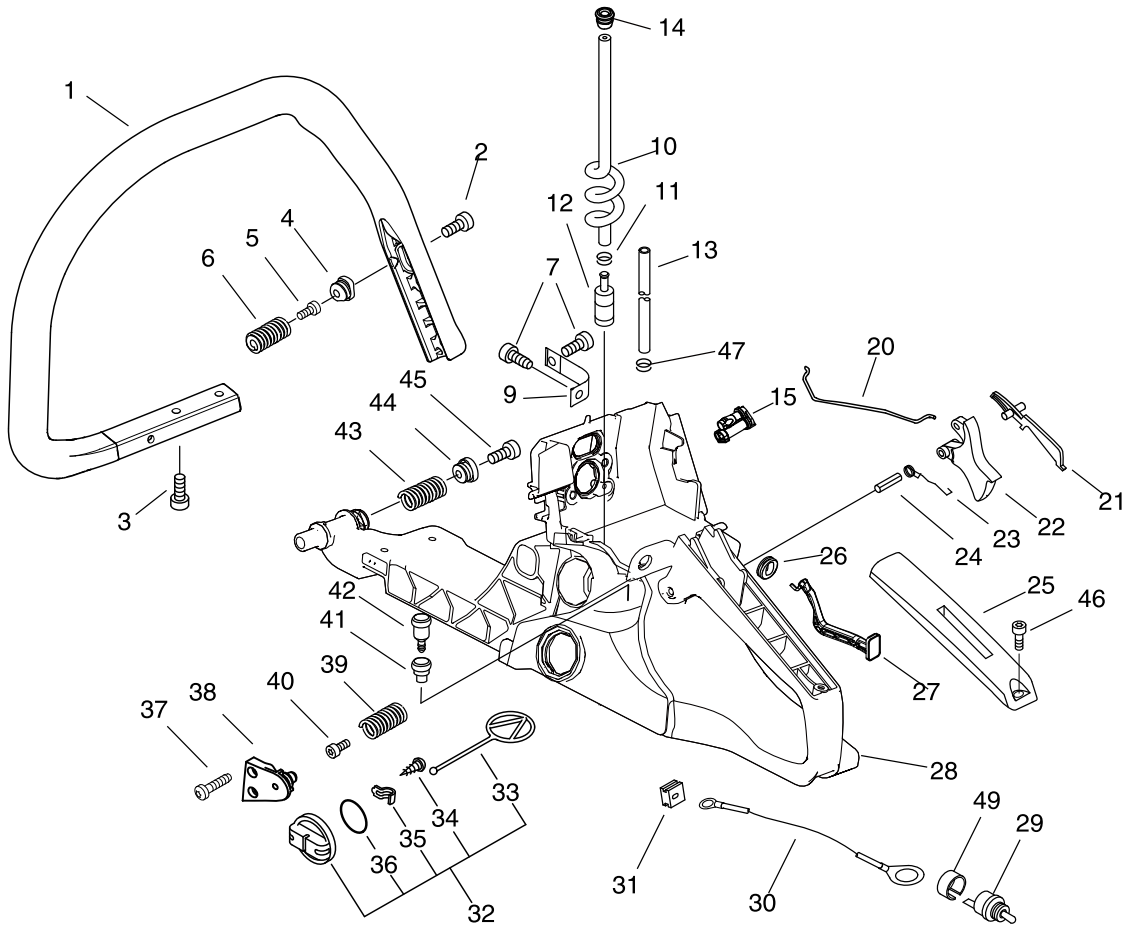
2 AIR CLEANER, CARBURETOR



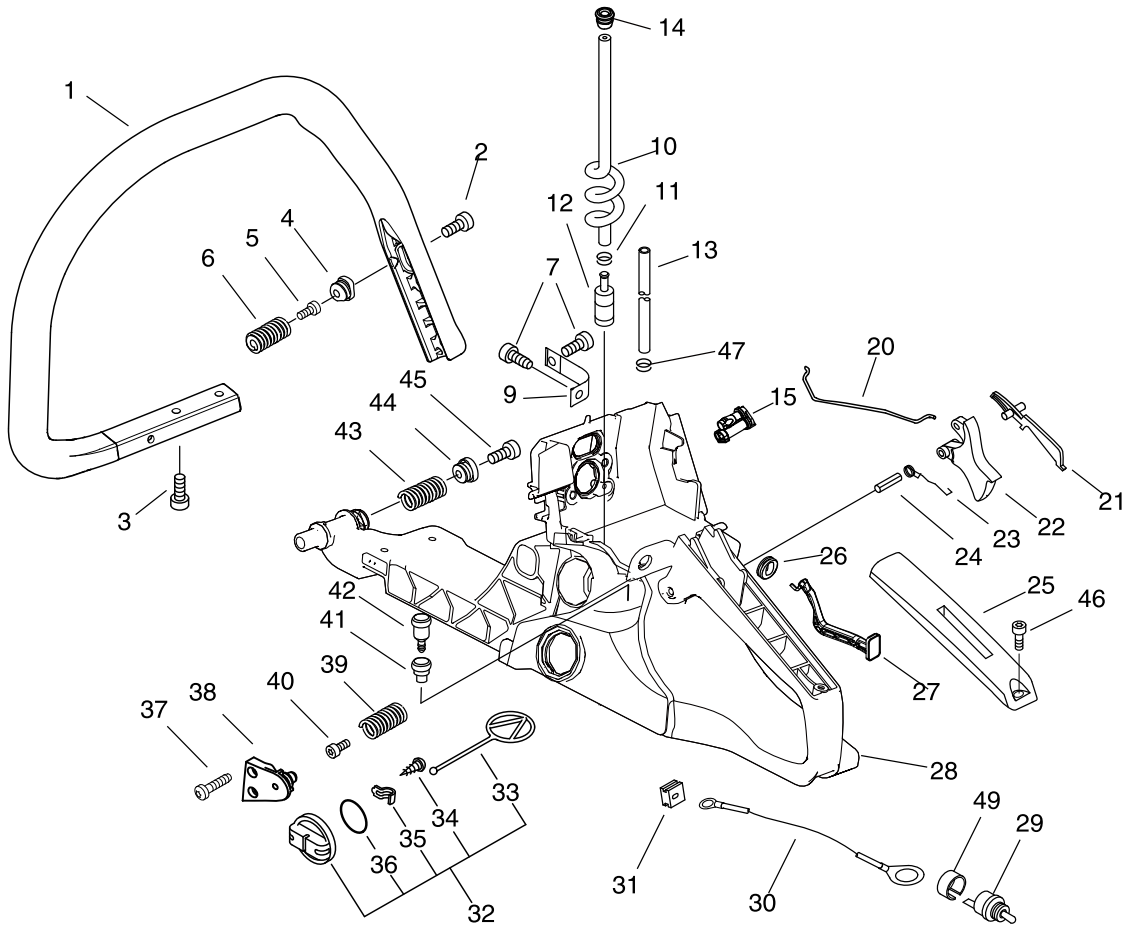
KEY	LV	PART NUMBER	Q'TY	DESCRIPTION	REMARKS
1		V804-000030	5	BOLT, TORX 4	
2		A301-000030	1	PLATE, MUFFLER	
3		A313-001670	1	GUIDE, EXHAUST	
4		A313-001041	1	GUIDE, EXHAUST	
5		A310-000090	1	SCREEN, ARRESTOR	
6		A300-001560	1	MUFFLER, EXHAUST	
7		V104-001770	1	GASKET, EXHAUST	
8		A021-003550	1	CARBURETOR, DIAPHRAGM	
9		P021-036890	1	CASE, CLEANER	
20	+	A219-000060	1	SHUTTER, AIR	
10		V805-000030	2	BOLT, TORX 5	
14		A232-001400	1	LID, CLEANER	
15		A235-000200	1	KNOB, CLEANER LID	
16		A160-002310	1	COVER, CYLINDER	
17		A239-000070	1	PIPE, INTAKE	
18		V341-000140	1	WASHER, SQUARE	
19		V805-000000	3	BOLT, TORX 5	
21		V855-000000	2	BOLT, TORX 5	
27		V805-000210	2	BOLT, TORX 5	
28		A226-001650	1	ELEMENT, AIR FILTER	
29		V142-000070	1	GROMMET, DUST	



KEY	LV	PART NUMBER	Q'TY	DESCRIPTION	REMARKS
1		A427-000013	1	CAP, SPARK PLUG	
2		A426-000010	1	TERMINAL, SPARK PLUG	
3		A429-000040	1	COVER, CAP	
4		A425-000000	1	SPARK PLUG	
5		V475-006660	1	TUBE	
6		156110-04920	1	BUSHING	
7		V485-001091	1	LEAD	
8		A411-001190	1	COIL, IGNITION	
9		V805-000000	2	BOLT, TORX 5	
10		A409-000360	1	ROTOR, MAGNETO	
11		900515-00008	1	NUT, FLANGE 8	
12		177234-35430	2	SPRING, RETURN	
13		177247-04630	2	SPACER, RATCHET	
14		177218-19830	2	PAWL, STARTER	
15		900603-00005	2	WASHER 5	
16		V835-000000	2	BOLT, TORX 5	
17		A172-000842	1	COVER, FAN	
18		P021-015163	1	STARTER ASY	
19	+	V805-000130	1	BOLT, TORX 5	
20	+	177214-02830	1	WASHER	
21	+	A506-000110	1	REEL, ROPE	
22	+	177226-07060	1	ROPE, STARTER	
23	+	A503-000030	1	PLATE, STARTER	
24	+	177220-35430	1	SPRING, REWIND	
25	+	A511-000071	1	GRIP, STARTER	
29		V805-000010	4	BOLT, TORX 5	



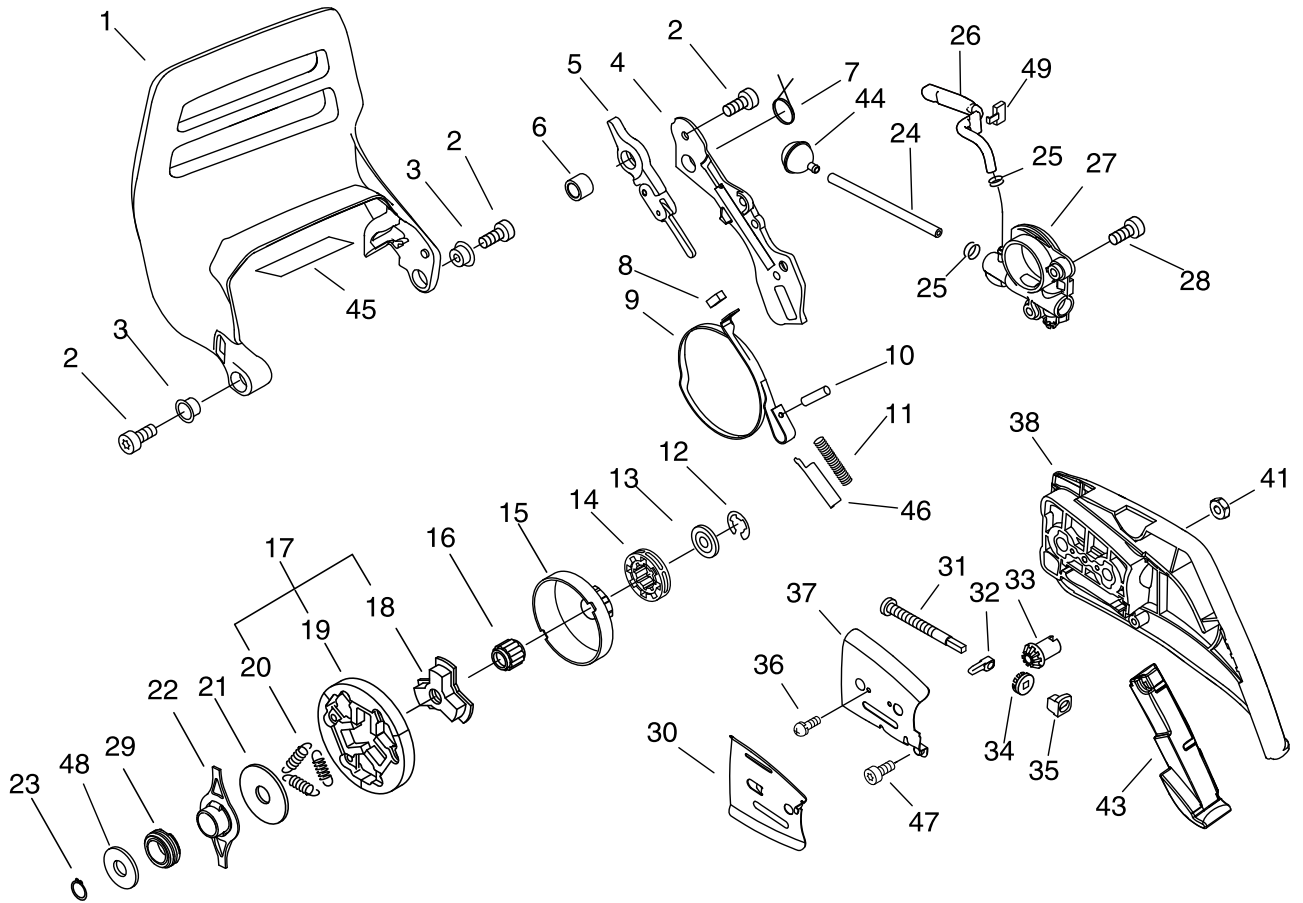
KEY	LV	PART NUMBER	Q'TY	DESCRIPTION	REMARKS
1		C400-001040	1	HANDLE, FRONT	
2		V806-000000	1	BOLT, TORX 6	
3		V805-000010	4	BOLT, TORX 5	
4		V456-000080	1	HOLDER, SPRING	
5		V805-000000	1	BOLT, TORX 5	
6		V450-000730	1	SPRING, COMPRESSION	
7		V805-000000	2	BOLT, TORX 5	
9		C617-000361	1	STOPPER	
10		V471-003080	1	PIPE	
11		132013-09820	1	CLIP	
12		131205-19831	1	STRAINER, FUEL	
13		132012-02960	1	PIPE, FUEL	
14		132115-01461	1	GROMMET	
15		V131-000180	1	GROMMET, NEEDLE	
20		C454-000470	1	ROD, THROTTLE	
21		178090-37930	1	LOCKOUT, T. CONTROL	
22		C450-000360	1	CONTROL, THROTTLE	
23		V452-000260	1	SPRING, TORSION	
24		900345-40025	1	PIN, SPRING 4*25SUS	
25		C411-000001	1	LID, HANDLE	
26		V130-000030	1	GROMMET, CHOKE	
27		A241-000220	1	KNOB, CHOKE	
28		C410-001000	1	HANDLE, REAR	
28		C410-001001	1	HANDLE, REAR	
29		A440-001190	1	SWITCH, ON OFF	
30		V485-001101	1	LEAD	



KEY	LV	PART NUMBER	Q'TY	DESCRIPTION	REMARKS
31		150114-04920	1	BUSHING	
32		P021-016040	1	CAP,FUER ASSY	
33	+	131051-19830	1	LINK	
34	+	900246-03008	1	SCREW 3*8	
35	+	131050-19830	1	RETAINER, LINK	
36	+	900720-20029	1	O-RING 29	
37		V805-000010	2	BOLT, TORX 5	
38		V456-000090	1	HOLDER,SPRING	
39		V450-001630	1	SPRING,COMPRESSION	
40		V805-000010	1	BOLT, TORX 5	
41		A359-000000	1	COVER,VENT	
42		131300-56431	1	VENT ASSEMBLY, FUEL	
43		V450-000770	1	SPRING,COMPRESSION	
44		V456-000101	1	HOLDER,SPRING	
45		V806-000000	1	BOLT, TORX 6	
46		V804-000000	1	BOLT, TORX 4	
47		132013-26630	1	CLIP	
49		A472-000090	1	CAP	

CS-550(30)

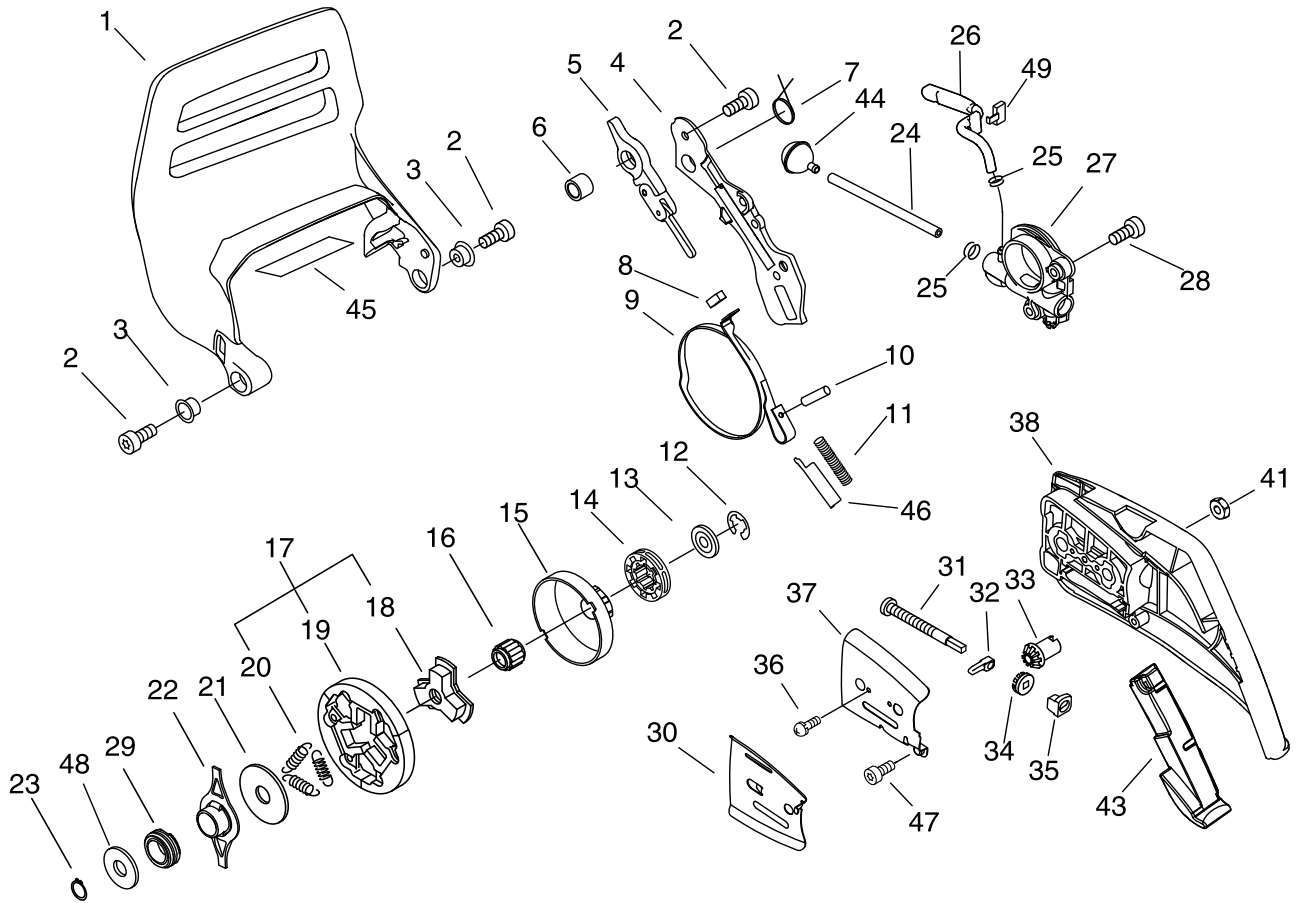
5 CLUTCH, SPROCKET



KEY	LV	PART NUMBER	Q'TY	DESCRIPTION	REMARKS
1		C320-000410	1	LEVER, BRAKE	
2		V805-000000	5	BOLT, TORX 5	
3		V356-000440	2	COLLAR,10	
4		C345-000282	1	COVER,BRAKE	
5		C334-000110	1	CONNECTOR, BRAKE	
6		V356-000470	1	COLLAR,10	
7		V452-000400	1	SPRING,TORSION	
8		V376-000450	1	SPACER	
9		C328-000121	1	BAND, BRAKE	
10		93050-30080	1	ROLLER	
11		V450-000740	1	SPRING,COMPRESSION	
12		V583-000130	1	RING	
13		V307-000410	1	WASHER,CIRCULAR 10	
14		175114-12530	1	SPROCKET, RIM .325	
15		A556-001310	1	DRUM, CLUTCH	
16		V555-000160	1	BEARING,NEEDLE 10	
17		A056-000220	1	CLUTCH ASY	
18	+	A552-000110	1	HUB, CLUTCH	
19	+	P021-007050	1	CLUTCH SHOE SET	
20	+	V451-000500	3	SPRING,TENSION	
21		A551-000110	1	PLATE, CLUTCH	
22		V358-000090	1	COLLAR,14	
23		900701-00015	1	CIRCLIP 15	
24		437210-30830	1	PIPE, OIL	
25		132013-09820	2	CLIP	
26		V470-001790	1	PIPE	

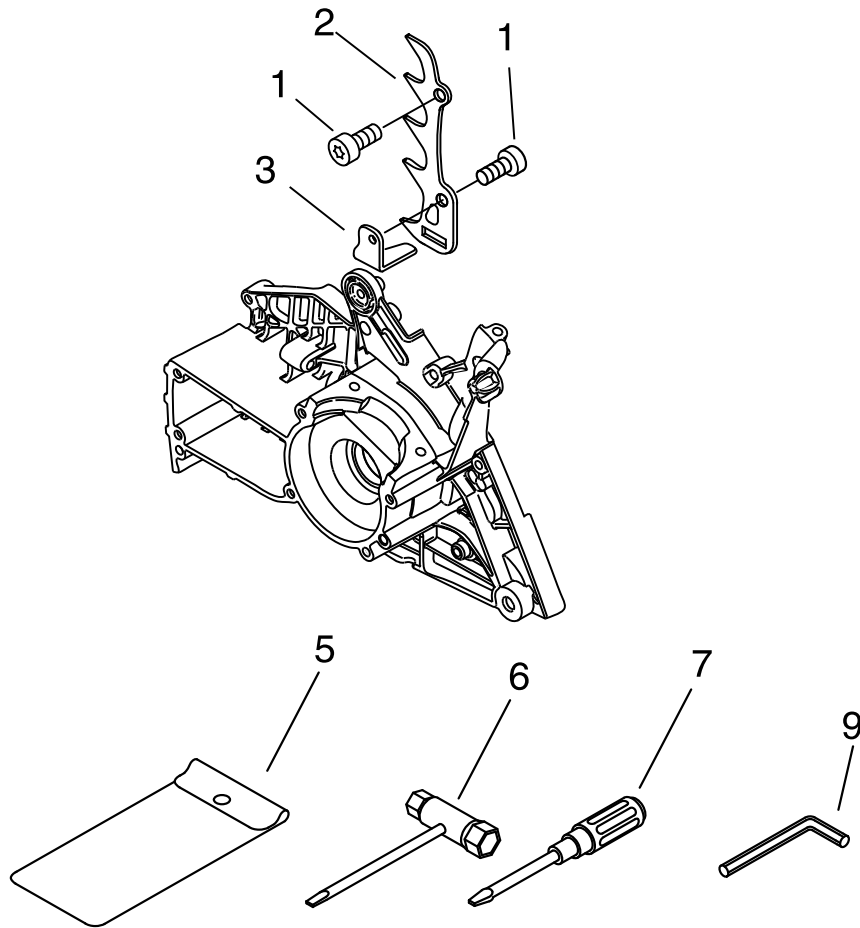
CS-550(30)

5 CLUTCH, SPROCKET



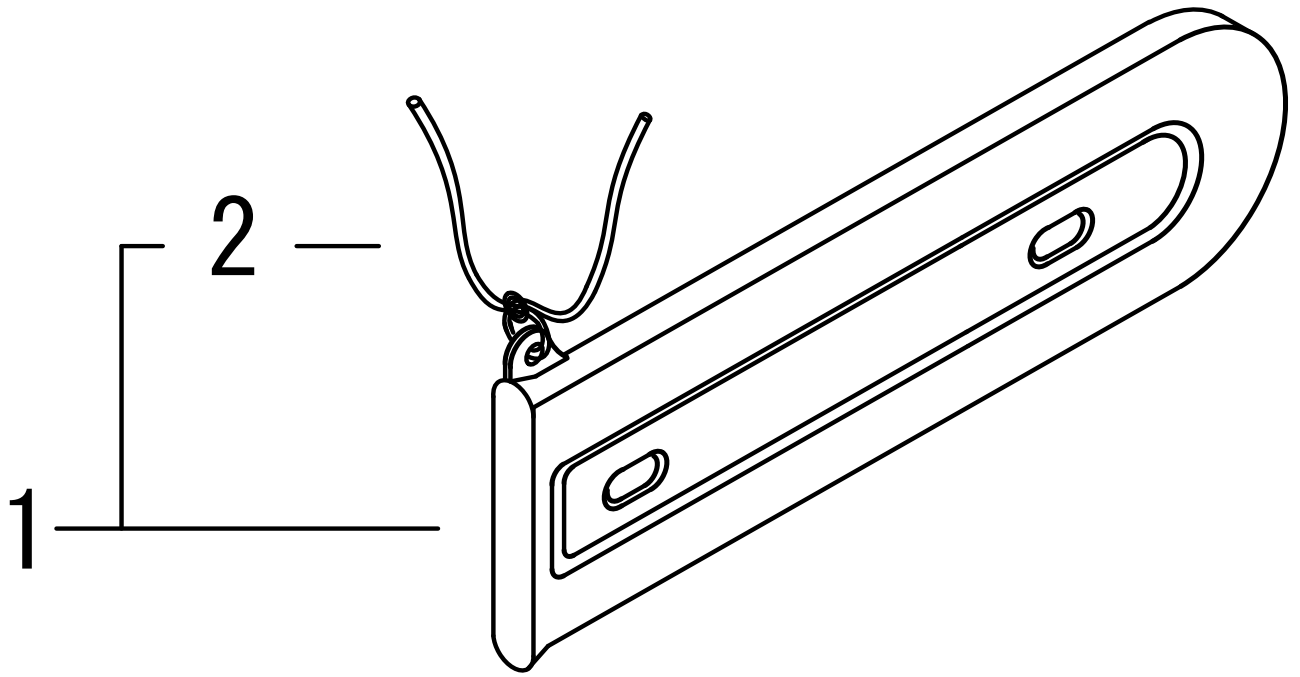
KEY	LV	PART NUMBER	Q'TY	DESCRIPTION	REMARKS
27		C022-000051	1	AUTO-OILER ASSEMBLY	
28		V804-000000	2	BOLT, TORX 4	
29		V652-000050	1	GEAR, WORM	
30		C305-000390	1	PLATE, SPROCKET GUARD	
31		V203-000110	1	BOLT, 5	
32		C309-000150	1	TENSIONER, CHAIN	
33		V651-000001	1	GEAR, BEVEL	
34		V651-000011	1	GEAR, BEVEL	
35		V355-000270	1	COLLAR, 8	
36		91325-03005	1	SCREW	
37		C305-000400	1	PLATE, SPROCKET GUARD	
38		C300-000810	1	GUARD, SPROCKET	
41		V265-000250	2	NUT	
43		C302-000010	1	PAD, GUARD	
44		436205-14730	1	STRAINER, OIL	
45		V341-000170	1	WASHER, SQUARE	
46		C603-000220	1	PLATE, SIDE	
47		V804-000000	1	BOLT, TORX 4	
48		V311-000090	1	WASHER, CIRCULAR 16-1	
49		C518-000150	1	BRACKET, PIPE	

CS-550(30) 6 TOOLS



KEY	LV	PART NUMBER	Q'TY	DESCRIPTION	REMARKS
1		V805-000000	2	BOLT, TORX 5	
2		C304-000180	1	SPIKED	
3		C310-000010	1	CATCHER, CHAIN	
5		X698-000050	1	TOOL,CASE	
6		X602-000080	1	TOOL,WRENCH	
7		895812-03930	1	DRIVER, SCREW 50	
9		X605-000050	1	TOOL,L WRENCH	

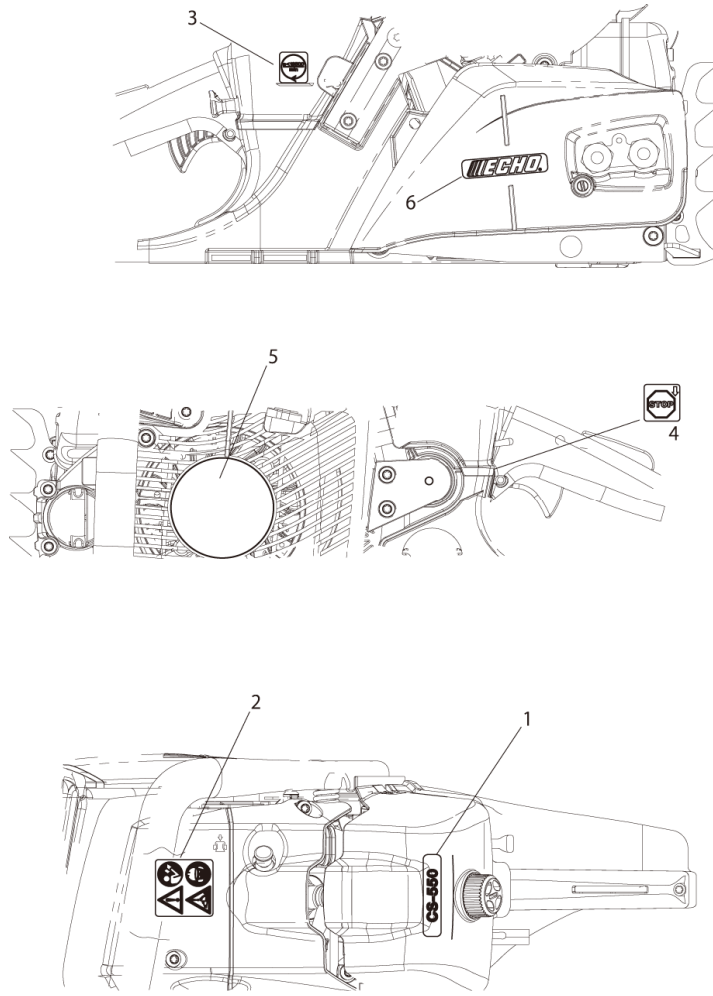
CS-550(30) 7 SCABBARD



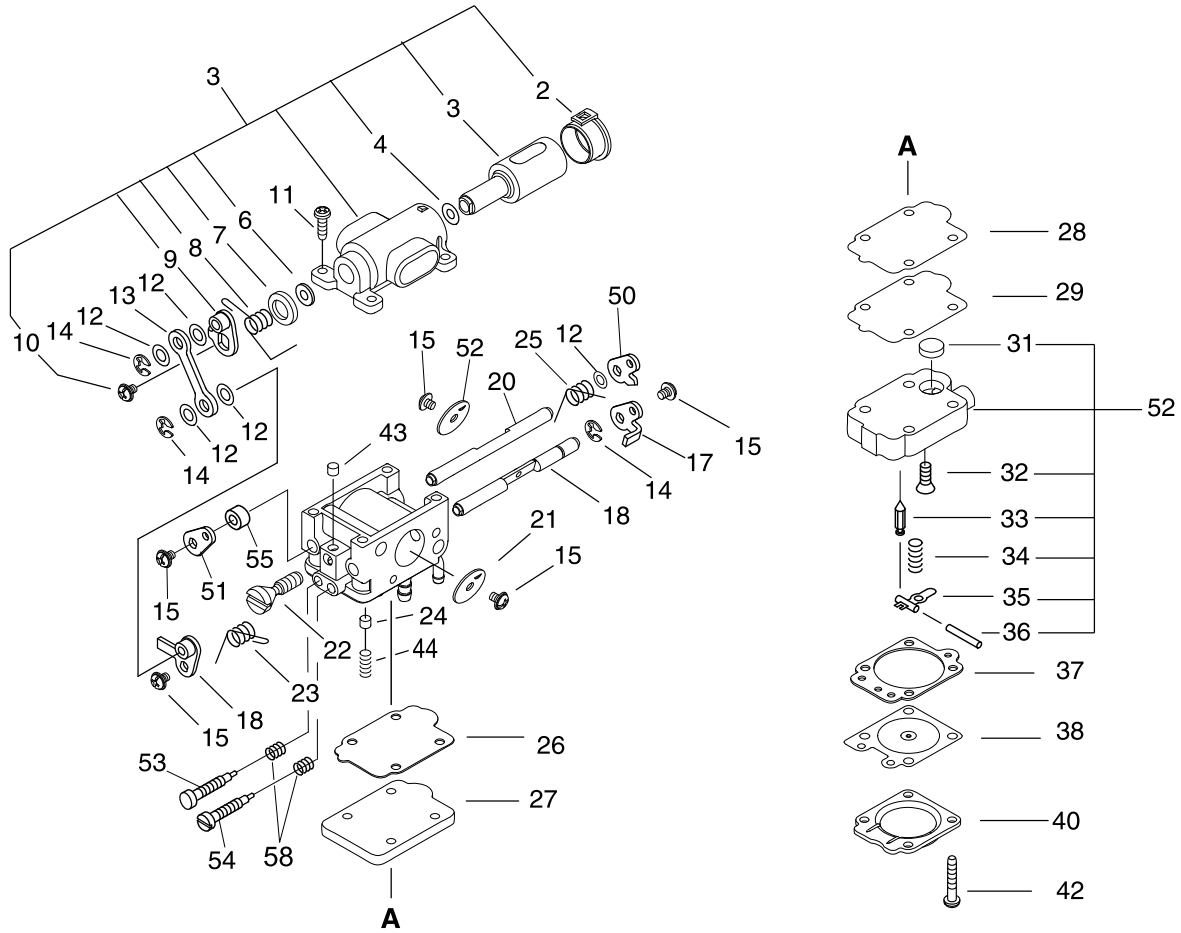
KEY	LV	PART NUMBER	Q'TY	DESCRIPTION	REMARKS
1		P021-014290	1	SCABBARD,CHAIN	
2	+	898568-14530	1	ROPE	

CS-550(30)

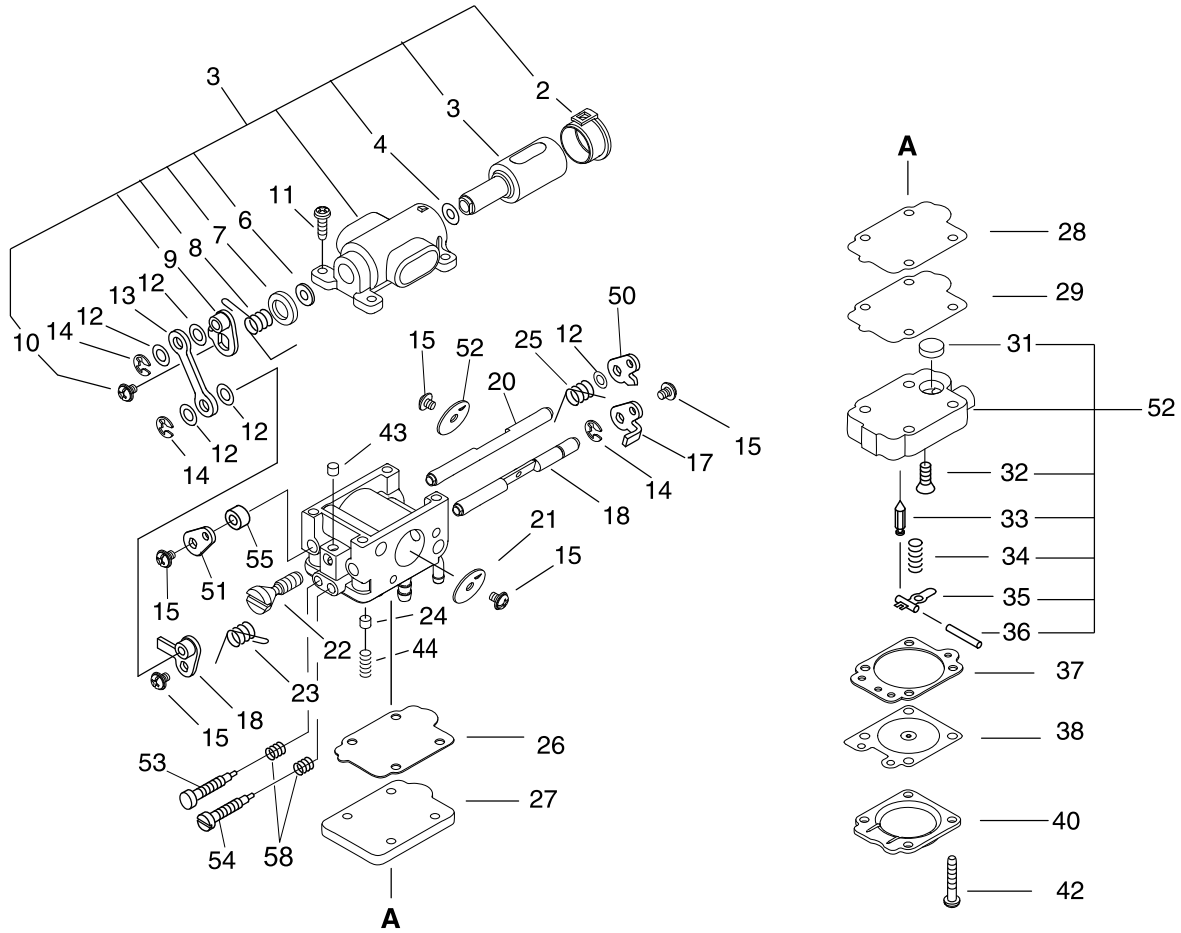
8 LABELS



KEY	LV	PART NUMBER	Q'TY	DESCRIPTION	REMARKS
1		X503-010460	1	LABEL,MODEL	
2		890345-39230	1	LABEL,CAUTION	
3		X505-000180	1	LABEL,CAUTION	
4		890157-39130	1	LABEL, SWITCH	
5		X502-000460	1	LABEL,ECHO	
6		X502-000340	1	LABEL,ECHO	



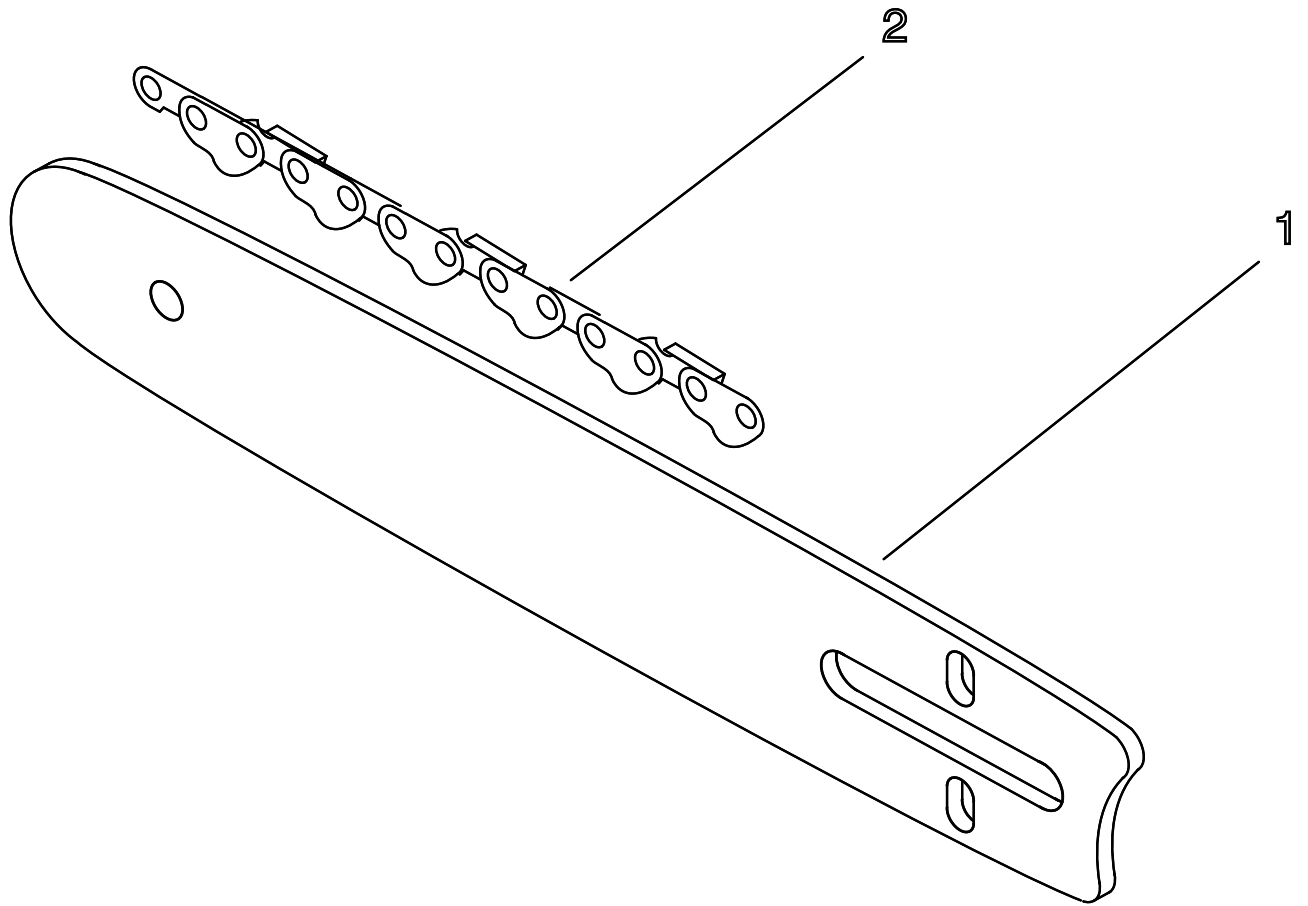
KEY	LV	PART NUMBER	Q'TY	DESCRIPTION	REMARKS
		A021-003550	1	CARBURETOR,DIAPHRAGM	
1	+	P003-004230	1	BODY ASY,AIR VALVE	
2	++	P003-004040	1	COVER,AIR VALVE BODY	
3	++	P003-002020	1	VALVE AIR	
4	++	P003-002050	1	WASHER	
6	++	P003-002060	1	SEAL DUST	
7	++	P003-002000	1	COVER DUST	
8	++	P003-002040	1	SPRING RETURN	
9	++	P003-004240	1	LINK ASSEMBLY-AIR	
10	++	P003-002030	1	SCREW	
11	+	123114-40630	4	SCREW	
12	+	123149-26030	4	WASHER	
13	+	P003-002080	1	LINK ROD	
14	+	123127-15030	3	RING	
15	+	123114-38830	4	SCREW	
17	+	P003-004250	1	LEVER-OUTER	
18	+	P003-004680	1	SHAFT ASY,THROTTLE	
20	+	P003-004270	1	SHAFT ASY,CHOKE	
21	+	123116-10530	1	VALVE, THROTTLE	
22	+	P003-002130	1	SCREW IDLE SPEED	
23	+	P003-002150	2	SPRING	
24	+	123185-39130	1	PISTON ASY	
25	+	P003-004290	1	SPRING	
26	+	P003-002110	1	GASKET PASSAGE	
27	+	P003-002160	1	PLATE PASSAGE	
28	+	P003-000100	1	GASKET, PUMP	



KEY	LV	PART NUMBER	Q'TY	DESCRIPTION	REMARKS		
		29	+	123112-40630	1	DIAPHRAGM, PUMP	
		30	+	P003-004220	1	BODY ASSEMBLY, PUMP	
		31	++	123126-10631	1	SCREEN, INLET	
		32	++	123139-05560	1	SCREW, M. LEVER PIN	
		33	++	123137-19830	1	VALVE, INLET NEEDLE	
		34	++	123122-05560	1	SPRING, METER. LEVER	
		35	++	123123-03930	1	LEVER, METERING	
		36	++	123138-03930	1	PIN, METERING LEVER	
		37	+	123140-27230	1	GASKET, M. DIAPHRAGM	
		38	+	P003-001850	1	DIAPHRAGM, METERING	
		40	+	123142-03930	1	COVER, M. DIAPHRAGM	
		42	+	123110-40630	4	SCREW, PUMP COVER	
		43	+	123178-15030	1	PLUG, FRICTION	
		44	+	P003-004300	1	SPRING	
		50	+	P003-001510	1	LEVER-FAST IDLE	
		51	+	P003-004060	1	LEVER, CHOKE	
		52	+	P003-002200	1	VALVE, CHOKE	
		53	+	P003-004690	1	NEEDLE	
		54	+	P003-004700	1	NEEDLE	
		55	+	P003-004330	1	SPACER	
		58	+	P003-004710	2	SPRING	

CS-550(30)

10 GUIDE BAR, CHAIN



KEY	LV	PART NUMBER	Q'TY	DESCRIPTION	REMARKS
1A		430521-37333	1	BAR, GUIDE 38RD58325	
2A		431721-30231	1	CHAIN, SAW	

Index

Patrs Number	Key No.	Patrs Number	Key No.	Patrs Number	Key No.
100015-32330	1 - 10	890345-39230	8 - 2	A506-000110	3 - 21
100142-30830	1 - 14	895812-03930	6 - 7	A511-000071	3 - 25
100215-02830	1 - 17	898568-14530	7 - 2	A551-000110	5 - 21
123110-40630	9 - 42	900212-04014	1 - 41	A552-000110	5 - 18
123112-40630	9 - 29	900246-03008	1 - 30	A556-001310	5 - 15
123114-38830	9 - 15	900246-03008	4 - 34	C022-000051	5 - 27
123114-40630	9 - 11	900345-40025	4 - 24	C300-000810	5 - 38
123116-10530	9 - 21	900515-00008	3 - 11	C302-000010	5 - 43
123122-05560	9 - 34	900603-00005	3 - 15	C304-000180	6 - 2
123123-03930	9 - 35	900701-00015	5 - 23	C305-000390	5 - 30
123126-10631	9 - 31	900720-00028	1 - 32	C305-000400	5 - 37
123127-15030	9 - 14	900720-20029	4 - 36	C309-000150	5 - 32
123137-19830	9 - 33	91325-03005	5 - 36	C310-000010	6 - 3
123138-03930	9 - 36	93050-30080	5 - 10	C320-000410	5 - 1
123139-05560	9 - 32	94036-46202	1 - 18	C328-000121	5 - 9
123140-27230	9 - 37	A011-001100	1 - 24	C334-000110	5 - 5
123142-03930	9 - 40	A014-000040	1 - 1	C345-000282	5 - 4
123149-26030	9 - 12	A021-003550	2 - 8	C400-001040	4 - 1
123178-15030	9 - 43	A021-003550	9 -	C410-001000	4 - 28
123185-39130	9 - 24	A056-000220	5 - 17	C410-001001	4 - 28
131050-19830	1 - 31	A101-000590	1 - 9	C411-000001	4 - 25
131050-19830	4 - 35	A130-001740	1 - 3	C450-000360	4 - 22
131051-19830	1 - 29	A160-002310	2 - 16	C454-000470	4 - 20
131051-19830	4 - 33	A172-000842	3 - 17	C518-000150	5 - 49
131205-19831	4 - 12	A202-000210	1 - 43	C603-000220	5 - 46
131300-56431	4 - 42	A202-000220	1 - 4	C617-000361	4 - 9
132012-02960	4 - 13	A206-000021	1 - 5	E106-000150	1 - 27
132013-09820	4 - 11	A219-000060	2 - 20	N.A.	4 - NA
132013-09820	5 - 25	A226-001650	2 - 28	N.A.	4 - NA
132013-26630	4 - 47	A232-001400	2 - 14	P003-000100	9 - 28
132115-01461	1 - 37	A235-000200	2 - 15	P003-001510	9 - 50
132115-01461	4 - 14	A239-000060	1 - 23	P003-001850	9 - 38
150114-04920	4 - 31	A239-000070	2 - 17	P003-002000	9 - 7
156110-04920	3 - 6	A241-000220	4 - 27	P003-002020	9 - 3
175114-12530	5 - 14	A300-001560	2 - 6	P003-002030	9 - 10
177214-02830	3 - 20	A301-000030	2 - 2	P003-002040	9 - 8
177218-19830	3 - 14	A310-000090	2 - 5	P003-002050	9 - 4
177220-35430	3 - 24	A313-001041	2 - 4	P003-002060	9 - 6
177226-07060	3 - 22	A313-001670	2 - 3	P003-002080	9 - 13
177234-35430	3 - 12	A359-000000	4 - 41	P003-002110	9 - 26
177247-04630	3 - 13	A409-000360	3 - 10	P003-002130	9 - 22
178090-37930	4 - 21	A411-001190	3 - 8	P003-002150	9 - 23
430521-37333	10 - 1A	A425-000000	3 - 4	P003-002160	9 - 27
431721-30231	10 - 2A	A426-000010	3 - 2	P003-002200	9 - 52
436114-13930	1 - 34	A427-000013	3 - 1	P003-004040	9 - 2
436205-14730	5 - 44	A429-000040	3 - 3	P003-004060	9 - 51
437210-30830	5 - 24	A440-001190	4 - 29	P003-004220	9 - 30
437239-14730	1 - 33	A472-000090	4 - 49	P003-004230	9 - 1
890157-39130	8 - 4	A503-000030	3 - 23	P003-004240	9 - 9

Index

Patrs Number	Key No.	Patrs Number	Key No.	Patrs Number	Key No.
P003-004250	9 - 17	V456-000090	4 - 38	X698-000050	6 - 5
P003-004270	9 - 20	V456-000101	4 - 44		
P003-004290	9 - 25	V470-001790	5 - 26		
P003-004300	9 - 44	V471-003080	4 - 10		
P003-004330	9 - 55	V475-006660	3 - 5		
P003-004680	9 - 18	V485-001091	3 - 7		
P003-004690	9 - 53	V485-001101	4 - 30		
P003-004700	9 - 54	V508-000010	1 - 16		
P003-004710	9 - 58	V555-000160	5 - 16		
P021-007050	5 - 19	V556-000000	1 - 12		
P021-014290	7 - 1	V583-000130	5 - 12		
P021-015163	3 - 18	V609-000000	1 - 11		
P021-016030	1 - 28	V651-000001	5 - 33		
P021-016040	4 - 32	V651-000011	5 - 34		
P021-036660	1 - 40	V652-000050	5 - 29		
P021-036670	1 - 39	V804-000000	4 - 46		
P021-036680	1 - 8	V804-000000	5 - 28		
P021-036690	1 - 15	V804-000000	5 - 47		
P021-036890	2 - 9	V804-000030	2 - 1		
V100-000630	1 - 7	V804-000050	1 - 42		
V102-000210	1 - 19	V805-000000	1 - 26		
V104-001770	2 - 7	V805-000000	1 - 6		
V130-000030	4 - 26	V805-000000	2 - 19		
V131-000180	4 - 15	V805-000000	3 - 9		
V141-000090	1 - 36	V805-000000	4 - 5		
V142-000070	2 - 29	V805-000000	4 - 7		
V203-000110	5 - 31	V805-000000	5 - 2		
V205-000400	1 - 38	V805-000000	6 - 1		
V265-000250	5 - 41	V805-000010	1 - 20		
V307-000410	5 - 13	V805-000010	3 - 29		
V311-000090	5 - 48	V805-000010	4 - 3		
V341-000140	2 - 18	V805-000010	4 - 37		
V341-000170	5 - 45	V805-000010	4 - 40		
V355-000270	5 - 35	V805-000020	1 - 21		
V356-000440	5 - 3	V805-000030	2 - 10		
V356-000470	5 - 6	V805-000130	3 - 19		
V358-000090	5 - 22	V805-000170	1 - 35		
V359-000060	1 - 25	V805-000210	2 - 27		
V376-000450	5 - 8	V805-000220	1 - 2		
V376-001780	1 - 44	V806-000000	4 - 2		
V420-003800	1 - 22	V806-000000	4 - 45		
V450-000730	4 - 6	V835-000000	3 - 16		
V450-000740	5 - 11	V855-000000	2 - 21		
V450-000770	4 - 43	X502-000340	8 - 6		
V450-001630	4 - 39	X502-000460	8 - 5		
V451-000500	5 - 20	X503-010460	8 - 1		
V452-000260	4 - 23	X505-000180	8 - 3		
V452-000400	5 - 7	X602-000080	6 - 6		
V456-000080	4 - 4	X605-000050	6 - 9		

YAMABIKO CORPORATION

7-2 SUEHIROCHO 1-CHOME, OHME, TOKYO 198-8760, JAPAN
PHONE: 81-428-32-6118. FAX: 81-428-32-6145.



10Jb
No. 03-214