



www.stiga.com

Illustrated Parts List

for model:

COMBI 36 E

- Use GLOBAL GARDEN PRODUCT genuine spare parts specified in the parts list for repair and/or replacement.
- Then contents described in the parts list may change due to improvement.
- The drawings of the spare part are only indicative and might not represent the part in question exactly.
- The indications "right" - "left" - "front" - "rear" refer to the position of the operator when using the machine.
- When placing orders of parts for repair and/or replacement, make sure that the illustrated parts list is the one applying to the machine's year of manufacture, as shown on the identification plate attached to the machine.

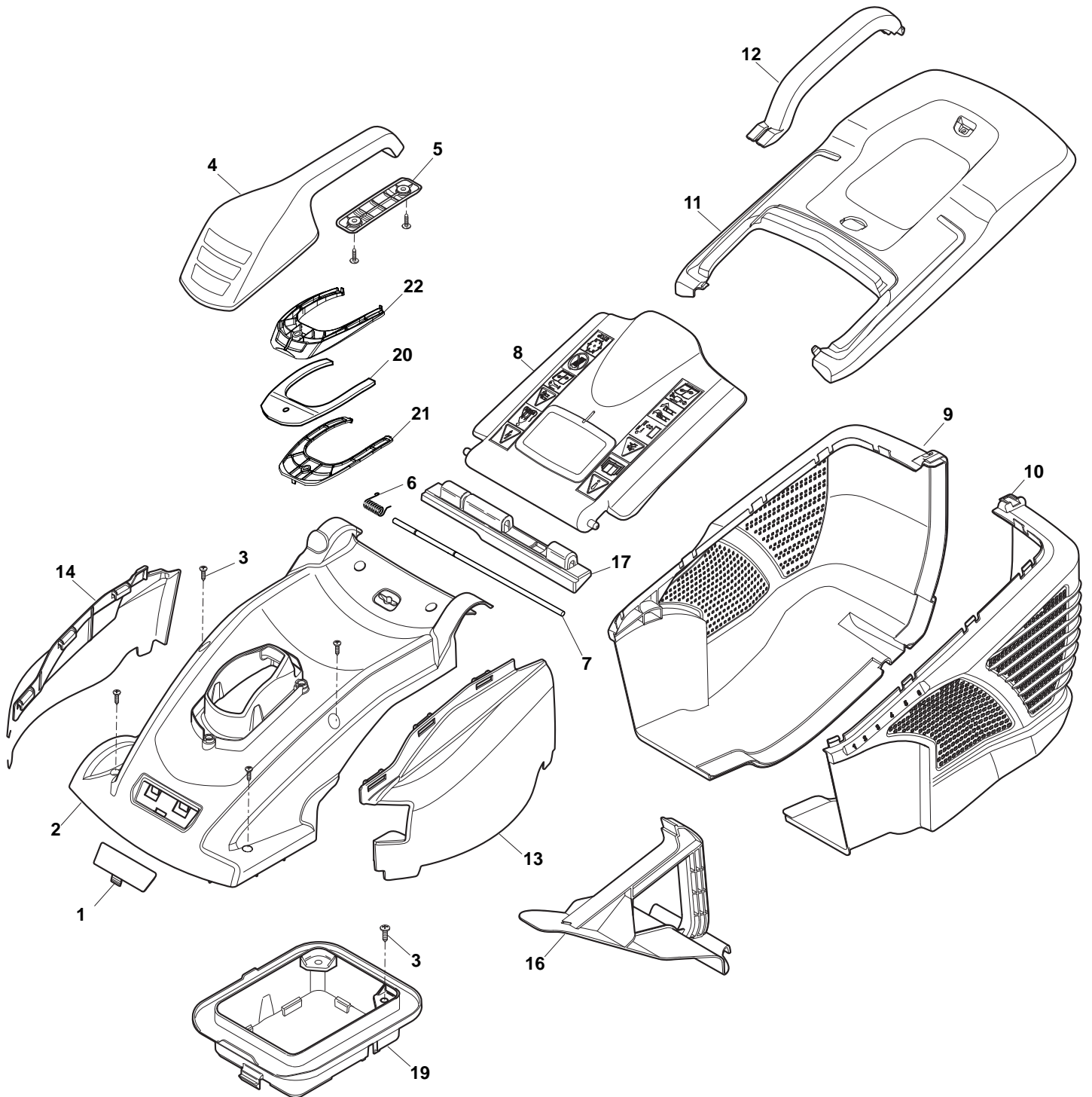
© Copyright 2014 Global Garden Products

All content is subject to copyright by Global Garden Products and may not be reproduced in whole or in part by any means, electronic or otherwise, without prior written approval.

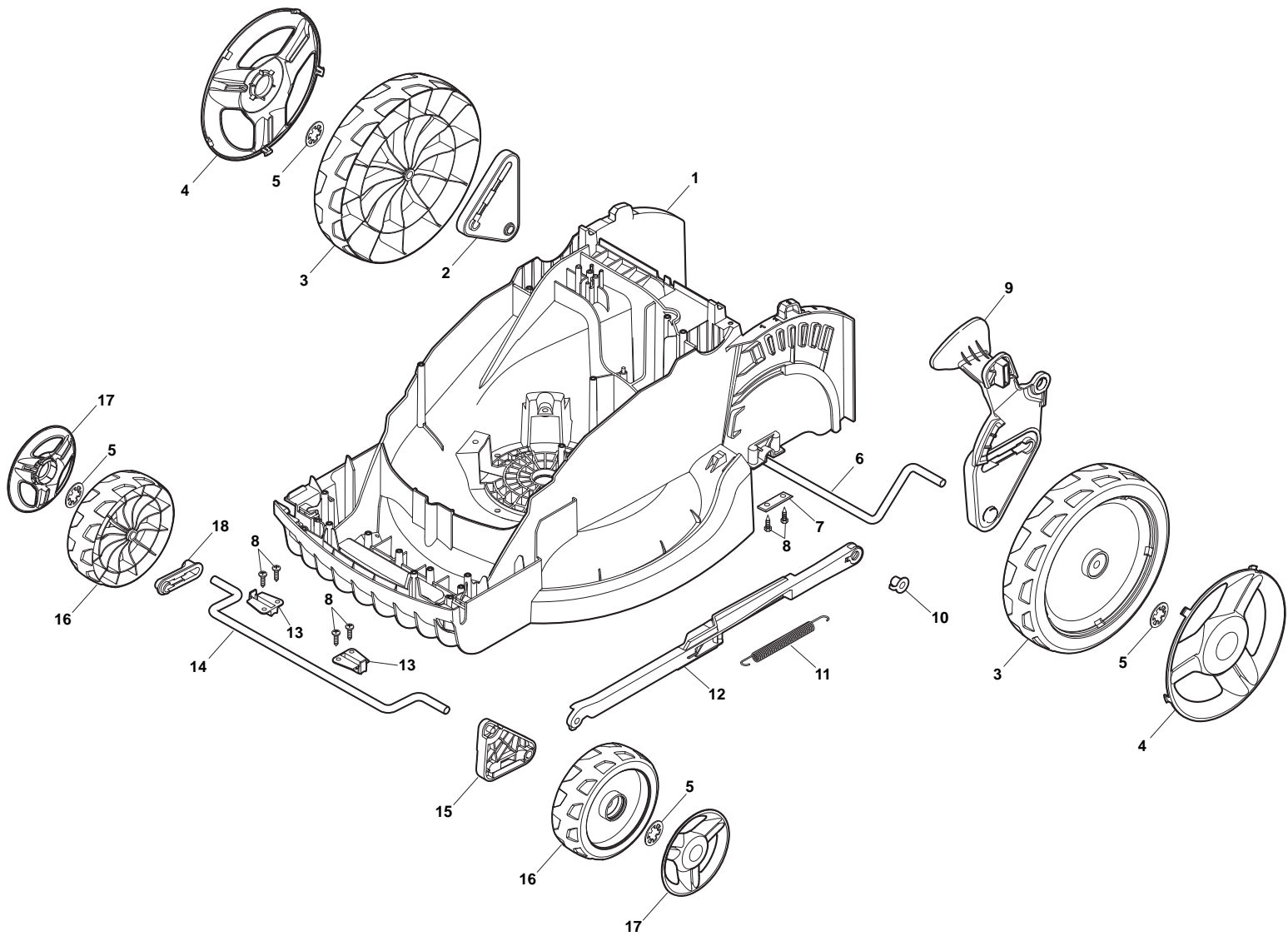
THIS INFORMATION IS NOT INTENDED FOR SALE OR RESALE, AND THIS NOTICE MUST REMAIN ON ALL COPIES.

www.ggp-group.com

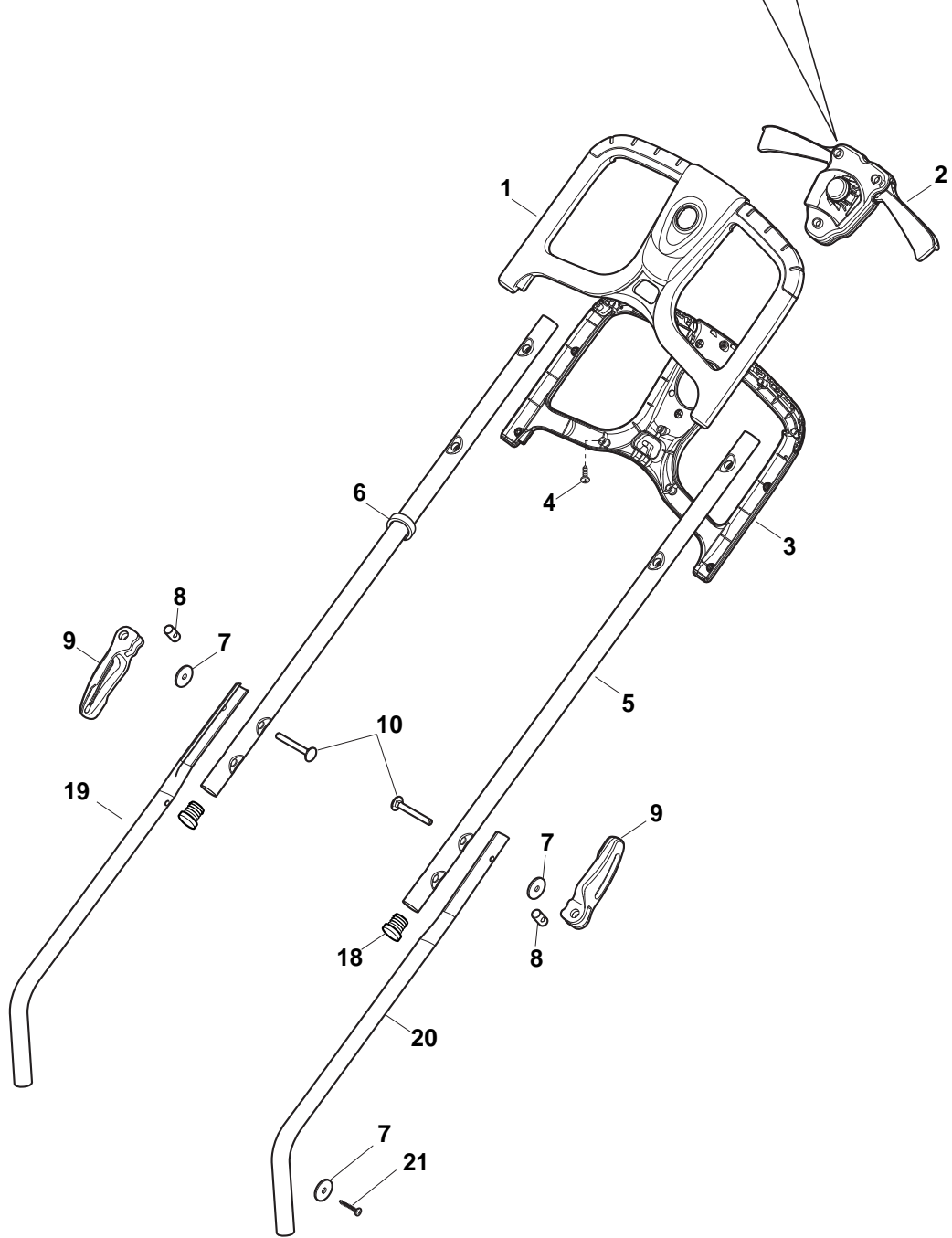
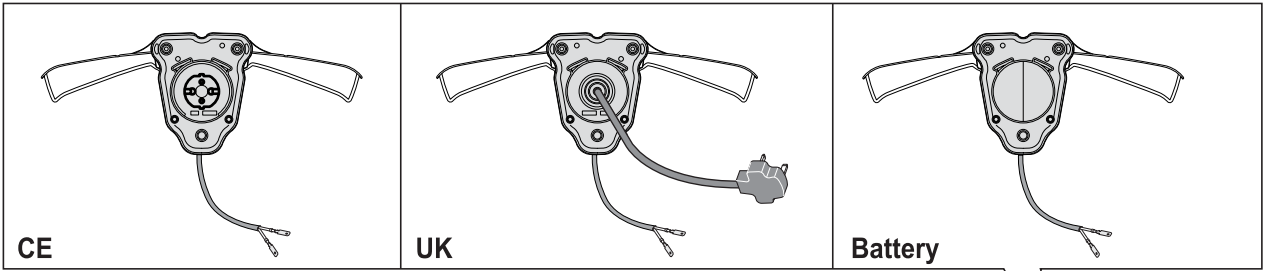




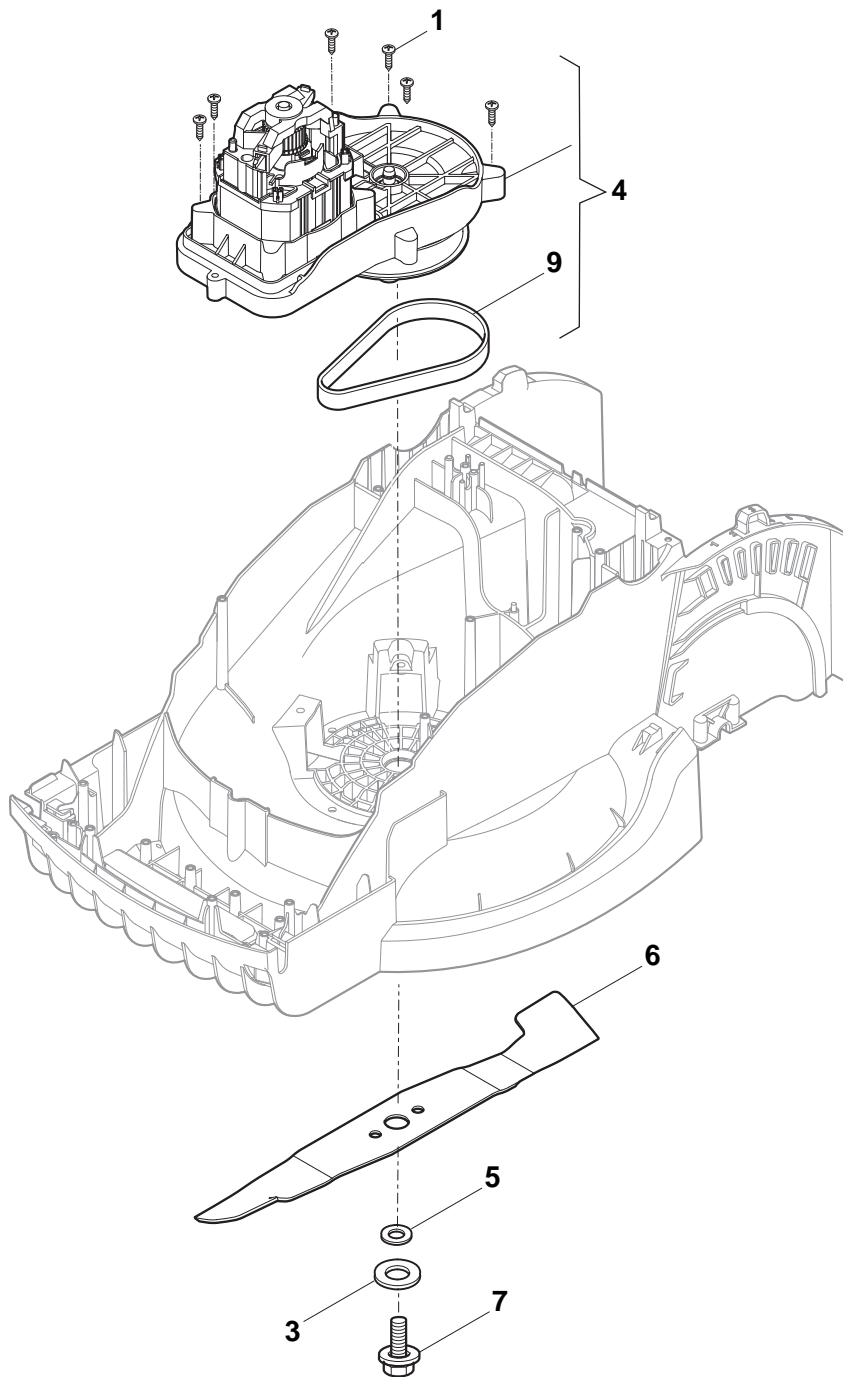
Deck And Height Adjusting				
POS	CODE	Q.TY	DESCRIPTION	NOTES
1	322055168/0	1	Frontal Plate	
2	322055222/0	1	Deck Yellow	
3	112728714/0	13	Screw	
4	322393701/0	1	Cover	
5	322393659/0	1	Handle	
6	122450250/0	1	Spring	
7	122512603/0	1	Pin	
8	322600265/0	1	Stone-Guard	
9	322486362/0	1	Grass-Box, R Lower	
10	322486361/0	1	Grass-Box, L Lower	
11	322486360/0	1	Grass-Box, Upper	Yellow
12	322393656/0	1	Handle	
13	322109875/0	1	Right Side Cover	
14	322109853/0	1	Left Side Cover	
16	322140241/0	1	Mulching Plug	
17	322600264/0	1	Stone-Guard	
19	322393700/0	1	Engine Protection	
20	118401005/0	1	Filter	
21	322055201/0	1	Filter Frame Upper Part	
22	322055202/0	1	Filter Frame Lower Part	



Deck				
POS	CODE	Q.TY	DESCRIPTION	NOTES
1	322066782/0	1	Deck STIGA Grey	
2	322785426/0	1	Support, Wheels	
3	322686107/0	2	Wheel Ø 170	
4	322110729/0	2	Hub Cap Grey	
5	112604903/0	4	Crown Fastener	
6	122033422/0	1	Axle, Wheels	
7	322545142/0	2	Plate	
8	112728714/0	8	Screw	
9	322785430/0	1	Lever, Height Adjustment	Yellow
10	322524354/0	1	Pin	
11	122450425/0	1	Spring	
12	322869687/0	1	Rod, Height Adjustment	
13	322785415/0	2	Plate	
14	122033422/0	1	Axle, Wheels	
15	322785429/0	1	Support, Wheels Grey	
16	322686106/0	2	Wheel Ø 140	
17	322110683/0	2	Hub Cap Grey	
18	322785428/0	1	Support, Wheels	



Handle, Upper Part				
POS	CODE	Q.TY	DESCRIPTION	NOTES
1	322291064/1	1	Upper Half Handgrip Switch	
2	381600539/0	1	Dead Hand Switch	CE plug
3	322291065/0	1	Lower Half Handgrip Switch	
4	112728713/0	11	Screw	
5	381007532/0	2	Handle, Upper Part	
6	122192000/1	1	Clamp	
7	112523050/0	4	Washer	
8	122524352/0	2	Pin	
9	322319520/0	2	Fixing Lever Handle	
10	122943016/0	2	Screw	
18	118566116/0	2	Cap	
19	381007529/0	1	Right Handle, Lower Part	
20	381007530/0	1	Left Handle, Lower Part	
21	112728450/0	2	Screw	



Electric Motor/Blade				
POS	CODE	Q.TY	DESCRIPTION	NOTES
1	112728699/0	5	Screw	
3	122671651/0	1	Washer	
4	118563702/0	1	Motor	1200W
5	112508122/0	1	Washer	
6	181004157/0	1	Blade	
7	112793312/0	1	Screw	
9	118810092/0	1	Belt	