

CA 451/531

Model:
CA 451
CA 531



Part List US-English

05-08-2010

Table of Contents

CA 451/531

Solution tank	3
Recovery tank	5
Chassis system	7
Wheels system	9
Solution system	11
Squeegee system	13
Brush systems CA 451 - CA 531	15
Accessory Lift handle kit	17
Accessories	19
Control panel system	21
Wiring diagram	23
Recommended spare parts	25
Optionals	28

Solution tank

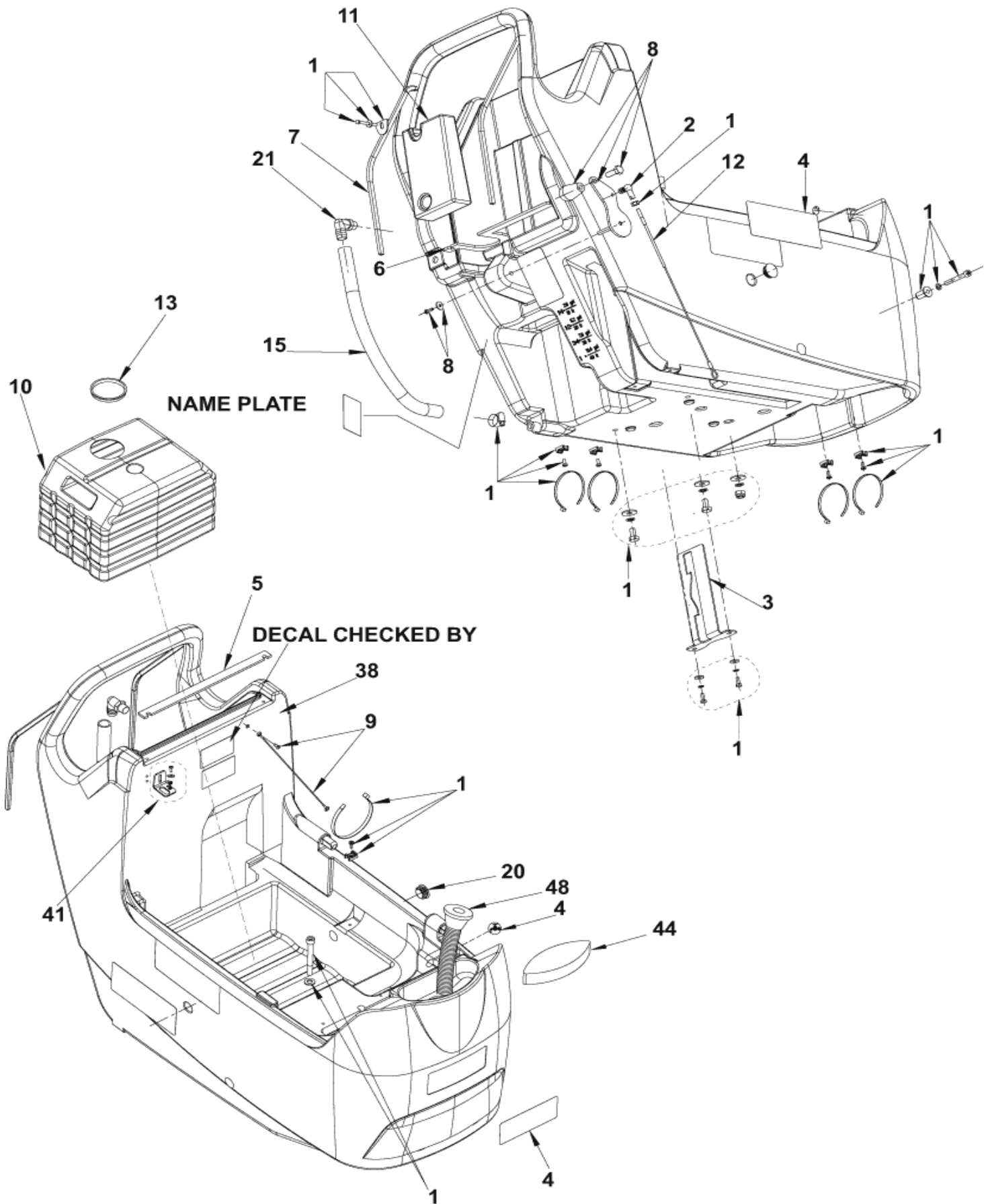
CA 451/531

05-08-2010

Part List ID

E19315

3



Solution tank

CA 451/531

05-08-2010

Part List ID E19315

4

Pos	Part no.	Qty	Description	EAN
1	9098265000	1	HARDWARE SOLUTION TANK KIT	7319519676
3	909 6550 000	1	SUPPORT. PEDAL	5711140128
4	9097772000	1	DECALS KIT CA 451/531	5711140137
5	909 6596 000	1	GASKET	5711140129
6	909 6597 000	1	GASKET	5711140129
7	909 6892 000	2	GASKET L 960	5711140131
8	9097630000	1	HARDWARE SQU.LEVER FIXING KIT	5711140134
9	909 6874 000	1	CABLE TANK KIT	5711140130
10	909 6842 000	1	SHEATH D.48	5711140130
11	909 6841 000	1	WEIGHT	5711140130
12	9098673000	1	B SQUEEGEE KIT	7319519678
			TSB IT 2010-053 - INST.INSTR.CODE 9098672000	
13	909 6658 000	1	CAP PLASTIC	5711140129
15	909 6681 000	1	HOSE CLEAN WATER	5711140129
20	L08812457	2	CAP TANK	5711140018
21	56264442	1	ELBOW BARB E00037	5711144037
38	909 6320 000	1	TANK SOLUTION 35 LT	5711140127
41	9098338000	1	BRACKET TANK FIXING KIT	7319519677
44	909 6650 000	1	SPONGE FOR WATER	5711140129
48	9097290000	1	HOSE FILLING	5711140133
			OPTION	

POSITION 12 9098673000 includes also position 2.

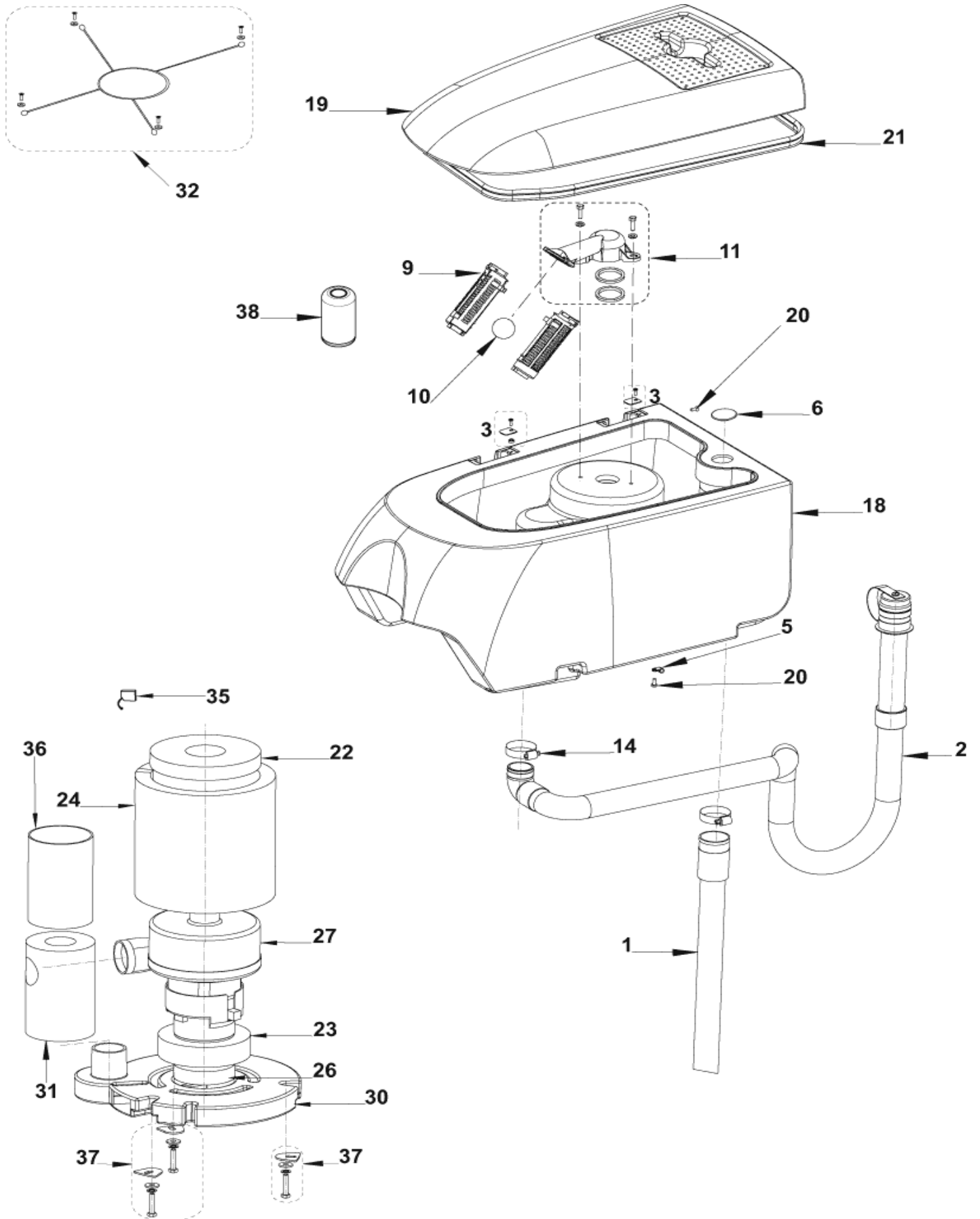
Recovery tank

CA 451/531

05-08-2010

Part List ID
E19319

5



Recovery tank

CA 451/531

05-08-2010

Part List ID E19319

6

Pos	Part no.	Qty	Description	EAN
0	909 6876 000	1	HARDWARE CAGE SUP.FIXING KIT	5711140130
1	909 6230 000	1	HOSE SQUEEGEE VACUUM	5711140126
2	909 6528 000	1	HOSE DRAIN	5711140128
3	9097654000	1	TANK FIXING KIT	5711140135
5	L08239900	1	CLAMP D.6 WHITE	5711140012
6	909 6899 000	1	CAP TANK	5711140131
9	L08812259	2	CAGE.FLOAT CPL	5711140017
10	L08812373	1	BALL FLOATING	5711140018
11	9097681000	1	CAGE FLOAT HOLDER KIT	INST.INSTR.9097680000 5711140135
14	145 0543 000	2	CLAMP 14/32-52	5711140023
18	909 6321 000	1	TANK RECOVERY 35 LT	5711140127
19	909 6322 000	1	COVER.TANK 35 LT	5711140127
20	909 6337 000	2	SCREW M5X12 UN7687	5711140127
21	909 6901 000	1	GASKET L 1640	5711140131
22	9096918000	1	GASKET VACUUM MOTOR	5711140131
23	909 6490 000	1	GASKET VACUUM MOTOR	5711140128
24	909 6491 000	1	PANEL ACOUSTIC INSULATION	5711140128
26	909 6672 000	1	FILTER	5711140129
27	909 6803 000	1	MOTOR VACUUM KIT CABLE VERSION	5711140130
30	909 6051 000	1	COVER.VACUUM MOTOR	5711140125
31	909 6442 000	1	PIPE.ACOUSTIC INSULATION	5711140128
32	909 6734 000	1	BAND RUBBER KIT	OPTION 5711140130
35	909 5719 000	2	BRUSH CARBON	5711140123
36	909 6842 000	1	SHEATH D.48	5711140130
37	909 6877 000	1	HARDWARE MOTOR FIXING KIT	5711140130
38	909 5065 000	1	FILTER ANTIFOAMING	OPTION 5711140120

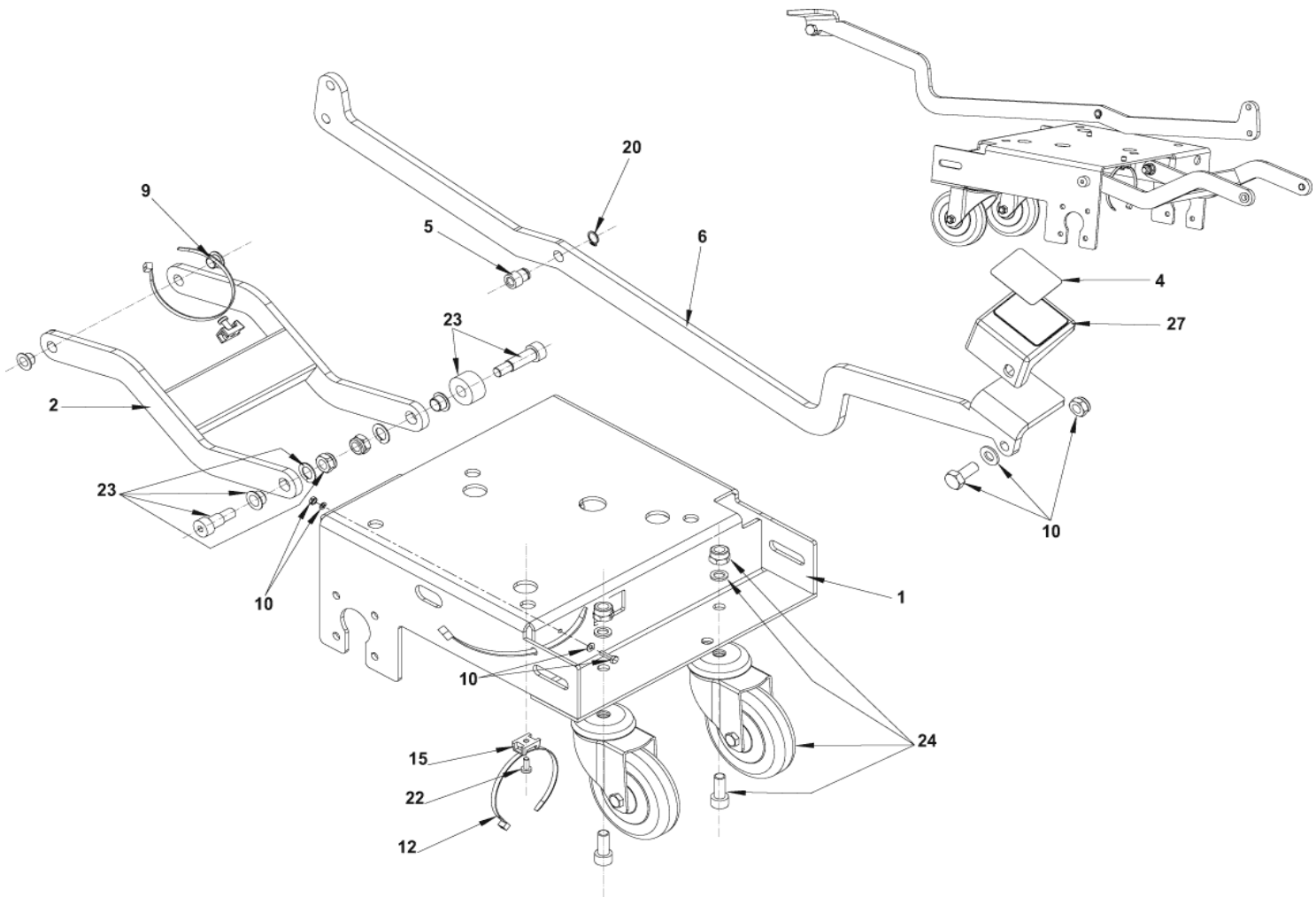
Chassis system

CA 451/531

05-08-2010

Part List ID
E193111

7



Chassis system

CA 451/531

05-08-2010

Part List ID

E193111

8

Pos	Part no.	Qty	Description	EAN
0	9098619000	1	WHEEL CASTOR D.100 PU SS KIT OPTION-TSB IT 2009-041 -FOR ALL VERSIONS	7319519678
1	909 6482 000	1	CHASSIS 35 LT	5711140128
2	909 6486 000	1	LEVER BRUSH DECK LIFTING	5711140128
4	909 6539 000	1	MAT.ANTISKID	5711140128
5	909 6540 000	1	BUSH FLANGED	5711140128
6	909 6549 000	1	PEDAL. BRUSH LIFTING	5711140128
9	909 6594 000	2	BUSH FLANGED	5711140129
10	9098339000	1	HARDWARE CHASSIS CABLE V.KIT	7319519677
12	145 0524 000	3	CLAMP BLACK 4.8X200	5711140023
15	909 6595 000	1	HOLDER.FLAT TIE	5711140129
20	33006051	1	RING D 12 UNI7435	5711140067
22	909 6337 000	1	SCREW M5X12 UNI7687	5711140127
23	909 6878 000	1	HARDWARE CHAS.FIXING KIT	5711140130
24	909 6898 000	1	WHEEL CASTOR KIT	5711140131
27	9096942000	1	COVER PEDAL	5711140131

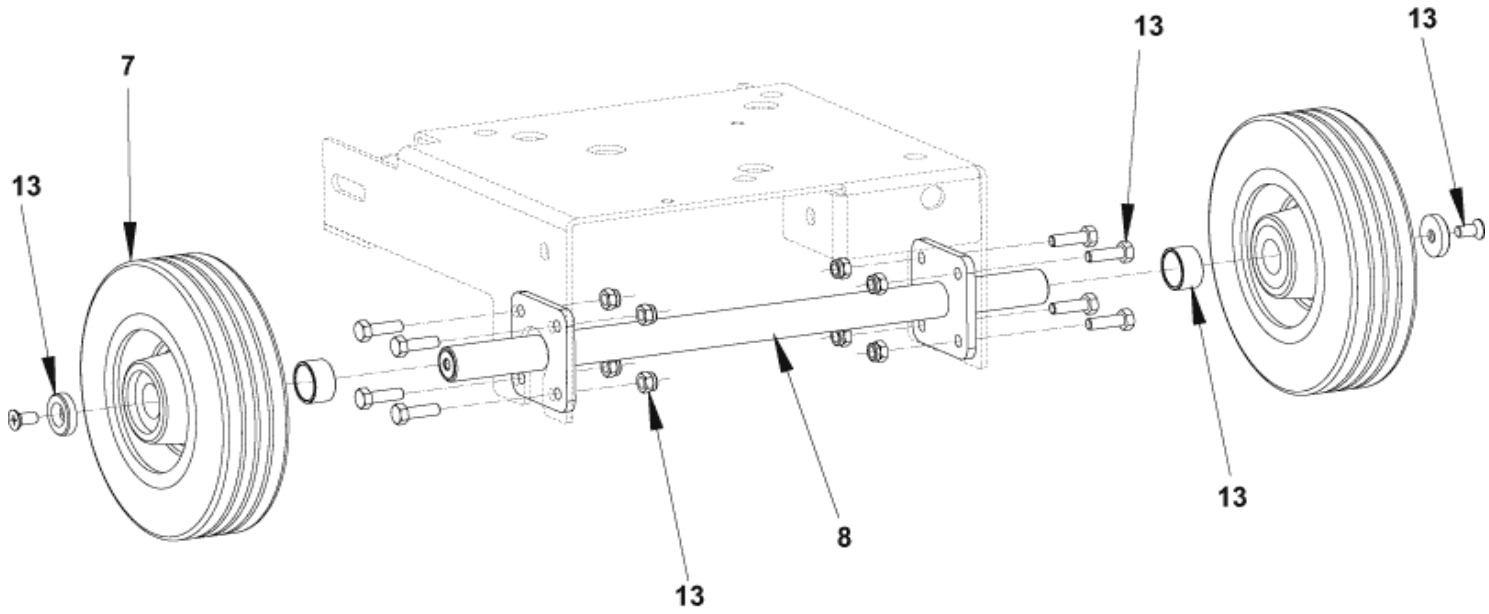
Wheels system

CA 451/531

05-08-2010

Part List ID
E193113

9



Wheels system

CA 451/531

05-08-2010

Part List ID E193113

10

Pos	Part no.	Qty	Description	EAN
7	909 6507 000	2	WHEEL FRONT D.200	5711140128
7	9097167000	2	WHEEL FRONT D.200 65SH	5711140132
8	909 6508 000	1	SHAFT WHEELS	5711140128
13	9098299000	1	HARDWARE WHEELS KIT	7319519676

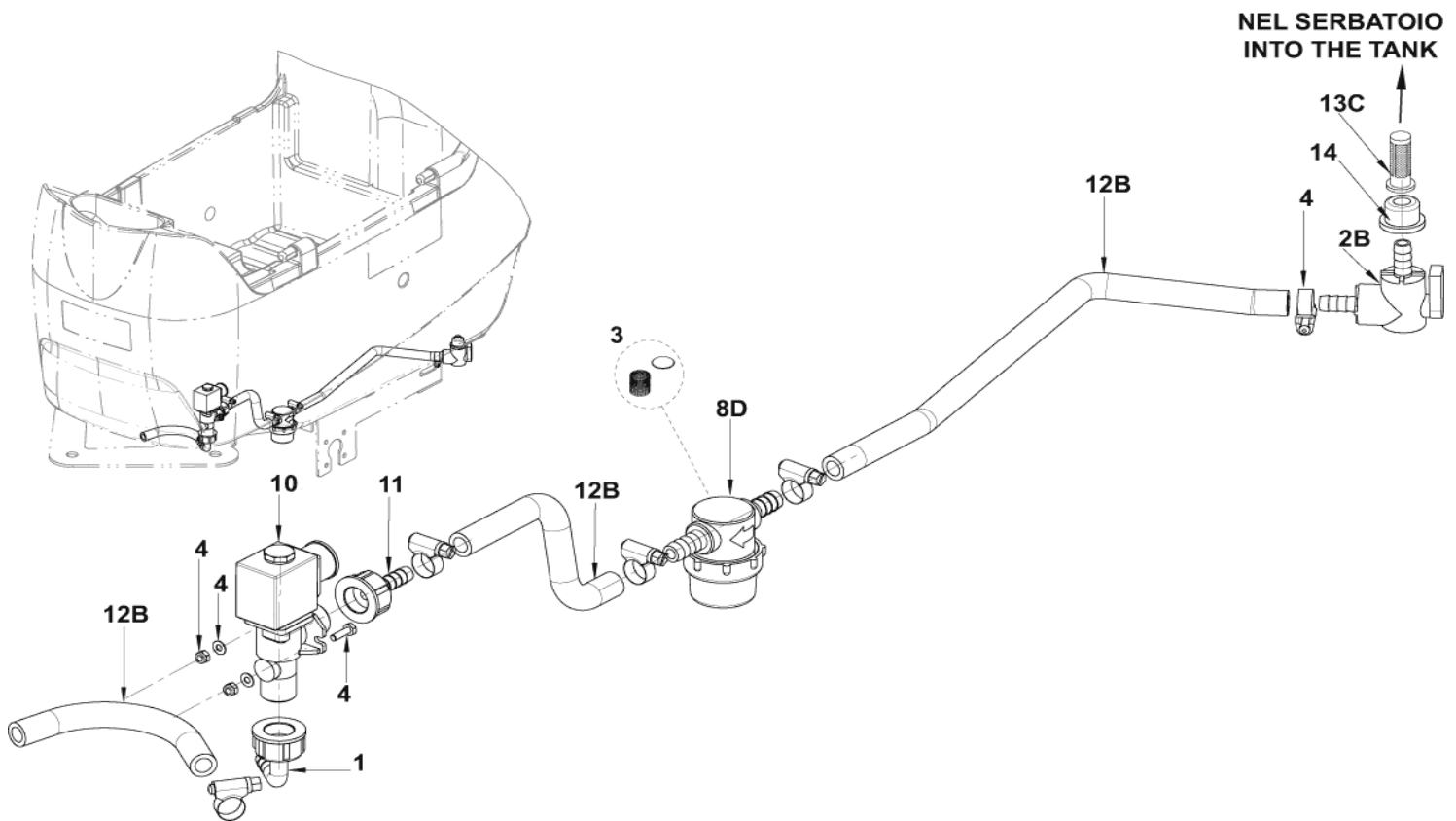
Solution system

CA 451/531

05-08-2010

Part List ID
E193115

11



Solution system

CA 451/531

05-08-2010

Part List ID
E193115

12

Pos	Part no.	Qty	Description	EAN
1	9098777000	1	HOLDER RUBBER 90 GRAD.KIT	7319519678
3	L08603893	1	NET FILTER WITH GASKET KIT	5711140016
4	9098301000	1	HARDWARE SOLUTION SYSTEM	7319519676
10	909 6624 000	1	SOLENOID VALVE 230V UL	5711140129
11	909 6636 000	1	HOLDER RUBBER 1/2 FEMALE	5711140129
14	909 5286 000	1	GASKET	5711140122
2B	9096994000	1	VALVE ELBOW	5711140131
8D	9097166000	1	FILTER COMPLETE KIT	5711140132
12B	9096995000	1	VALVE ELBOW W/PIPES KIT	5711140131
13C	9096916000	1	FILTER SOLUTION TANK	5711140131
			OPTION	

B: TSB IT 2007-027a

C: TSB IT 2007-015

D: TSB IT 2007-021

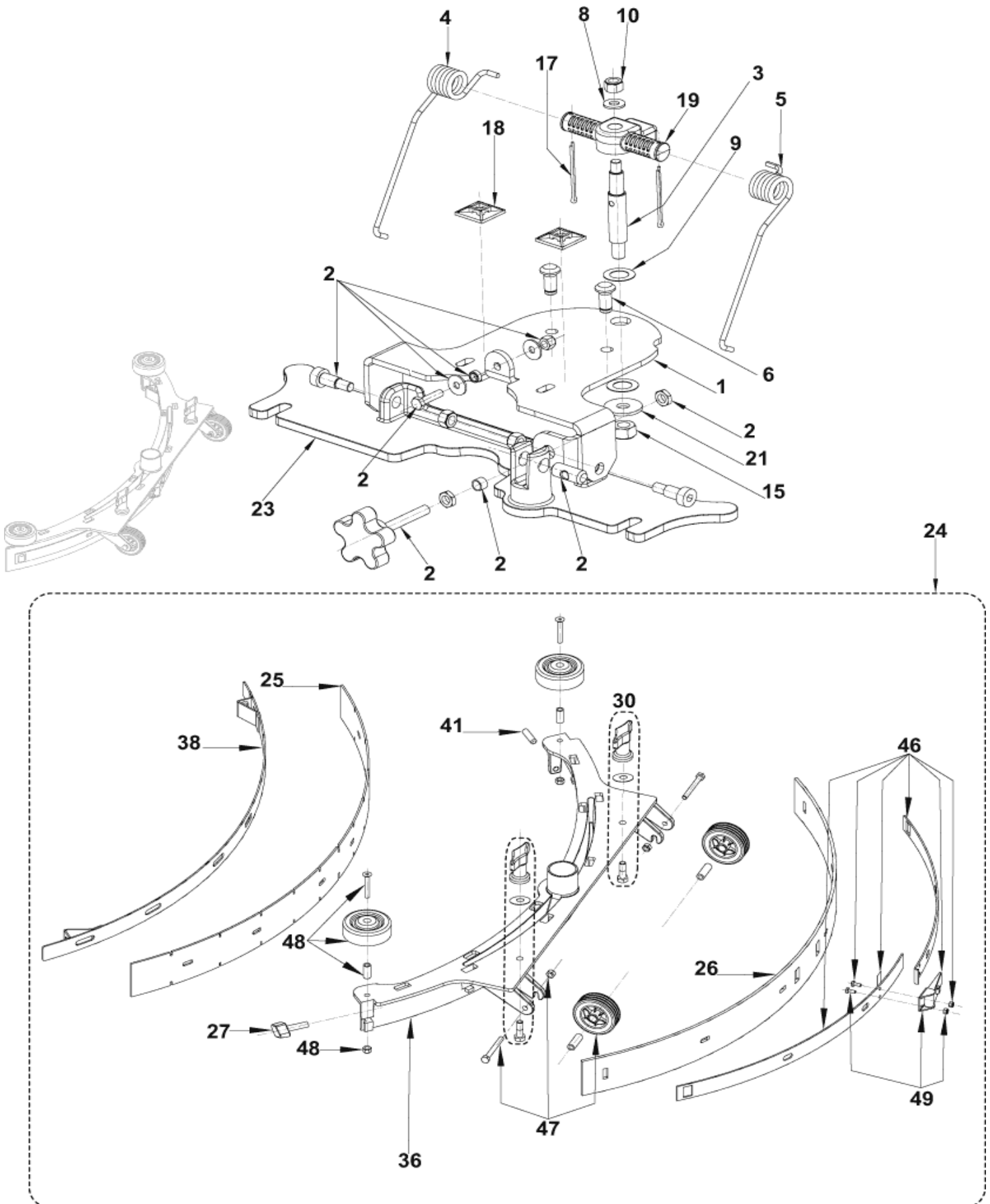
Squeegee system

CA 451/531

05-08-2010

Part List ID
E193117

13



Squeegee system

CA 451/531

05-08-2010

Part List ID E193117

14

Pos	Part no.	Qty	Description		EAN
0	909 6860 000	1	BLADES RUBBER KIT 740MM/29	INCLUDES POS. 25-26	5715492037
0	9097548000	1	WASHERS NYLON SQUEEGEE SUPPORT	TSB IT 2007-031	5711140134
1	909 6494 000	1	BRACKET SQUEEGEE SUPPORT		5711140128
2	909 6885 000	1	HARDWARE SQUEEGEE FIXING KIT		5711140131
3	909 6497 000	1	PIN SQUEEGEE		5711140128
4	909 6537 000	1	SPRING SQUEEGEE PUSHING		5711140128
5	909 6538 000	1	SPRING SQUEEGEE PUSHING		5711140128
6	909 6543 000	2	PIN. SQUEEGEE FIXING		5711140128
8	33005915	1	WASHER M8 UNI6592		5711140067
9	L08238300	2	WASHER 15X25 UNI6592		5711140012
10	33005607	3	NUT SELF L. M8 UNI7474		5711140066
15	33005608	1	NUT SELF L. M10 UNI7474		5711140066
17	33005758	2	PIN SPLIT 2X32 UNI1336		5711140066
18	909 6635 000	2	HOLDER.FLAT TIE		5711140129
19	909 6052 000	1	SUPPORT.SQUEEGEE SPRING		5711140125
21	L08604251	1	WASHER 10X30 UNI6592		5711140016
23	909 6045 000	1	SUPPORT. SQUEEGEE		5711140125
24	909 6851 000	1	SQUEEGEE CPL ALU 760MM/30 KIT		5715492037
25	909 6483 000	1	BLADE NEOPRENE FRONT		5715492037
26	909 6484 000	1	BLADE NEOPRENE REAR		5715492037
27	909 6551 000	1	KNOB M8X30 SS		5711140128
30	9097637000	1	SQUEEGEE FIXING KIT		5711140134
36	909 6044 000	1	WELDMENT.SQUEEGEE TOOL		5711140125
38	909 6055 000	1	STRAP.SQUEEGEE FRONT		5711140125
41	909 6600 000	1	SCREW GRUB M8X30 UNI5929 SS		5711140129
46	909 6882 000	1	HARDWARE SQU.BLADE FIXING		5711140130
47	909 6883 000	2	WHEELS SQUEEGEE KIT		5711140131
48	909 6884 000	2	ROLLER BUMPER SQUEEG.KIT		5711140131
49	909 6394 000	1	LATCH SQUEEGEE KIT		5711140127

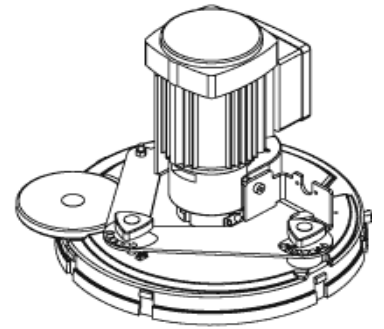
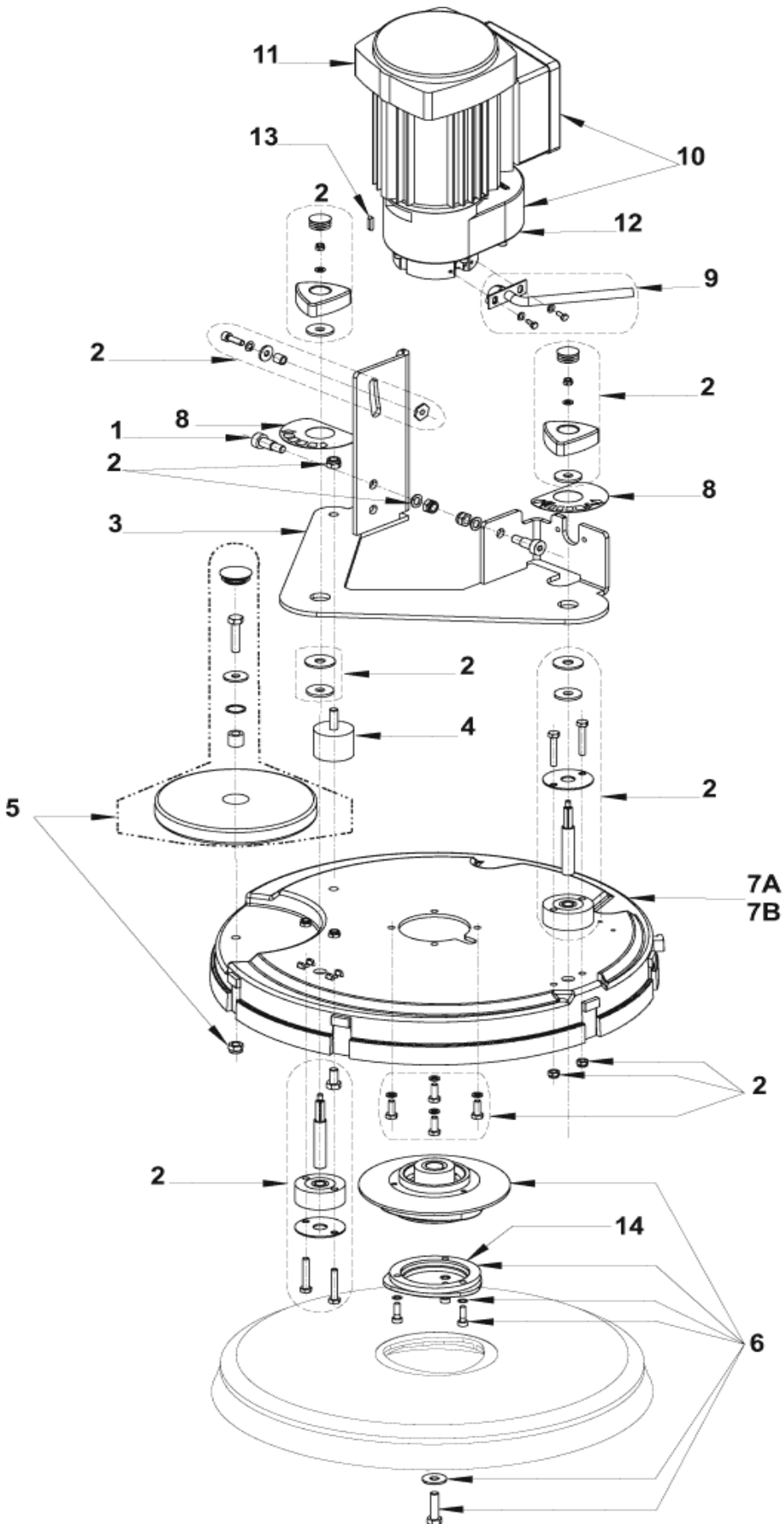
Brush systems CA 451 - CA 531

CA 451/531

05-08-2010

Part List ID
E193121

15



Brush systems CA 451 - CA 531

CA 451/531

05-08-2010

Part List ID
E193121

16

Pos	Part no.	Qty	Description	EAN
0	909 5106 000	1	CAPACITOR 400V 65UF	5711140120
0	909 5931 000	1	CAPACITOR 450V 30UF	5711140125
1	909 6495 000	2	SCREW SHOULDER 10X16 M8 ISO7379	5711140128
2	9098344000	1	HARDWARE BRUSH DECK SYST.KIT	5711140146
3	909 6485 000	1	PLATE DECK BRUSH HOLDER	5711140128
4	9097184000	1	VIBRATION DAMPING M8 60SH	5711140132
5	909 6887 000	1	ROLLER BUMPER KIT	5711140131
6	9097093000	1	HOLDER POLYGONAL KIT	5711140132
8	9097772000	1	DECALS KIT CA 451/531	5711140137
9	9098340000	1	HOSE COPPER KIT	7319519677
10	909 5929 000	1	REDUCTION GEARMOTOR 1100W 230V	5711140125
11	909 5930 000	1	MOTOR ELECTRIC 1100W 230V	5711140125
12	909 5480 000	1	REDUCTION GEAR	5711140122
13	145 9774 000	1	KEY 5X5X20 UNI6604A	5711140023
14	L08812480	1	HUB.BRUSH	5711140018
7A	909 6043 000	1	DECK BRUSH	5711140125
7B	909 6042 000	1	DECK BRUSH	5711140125

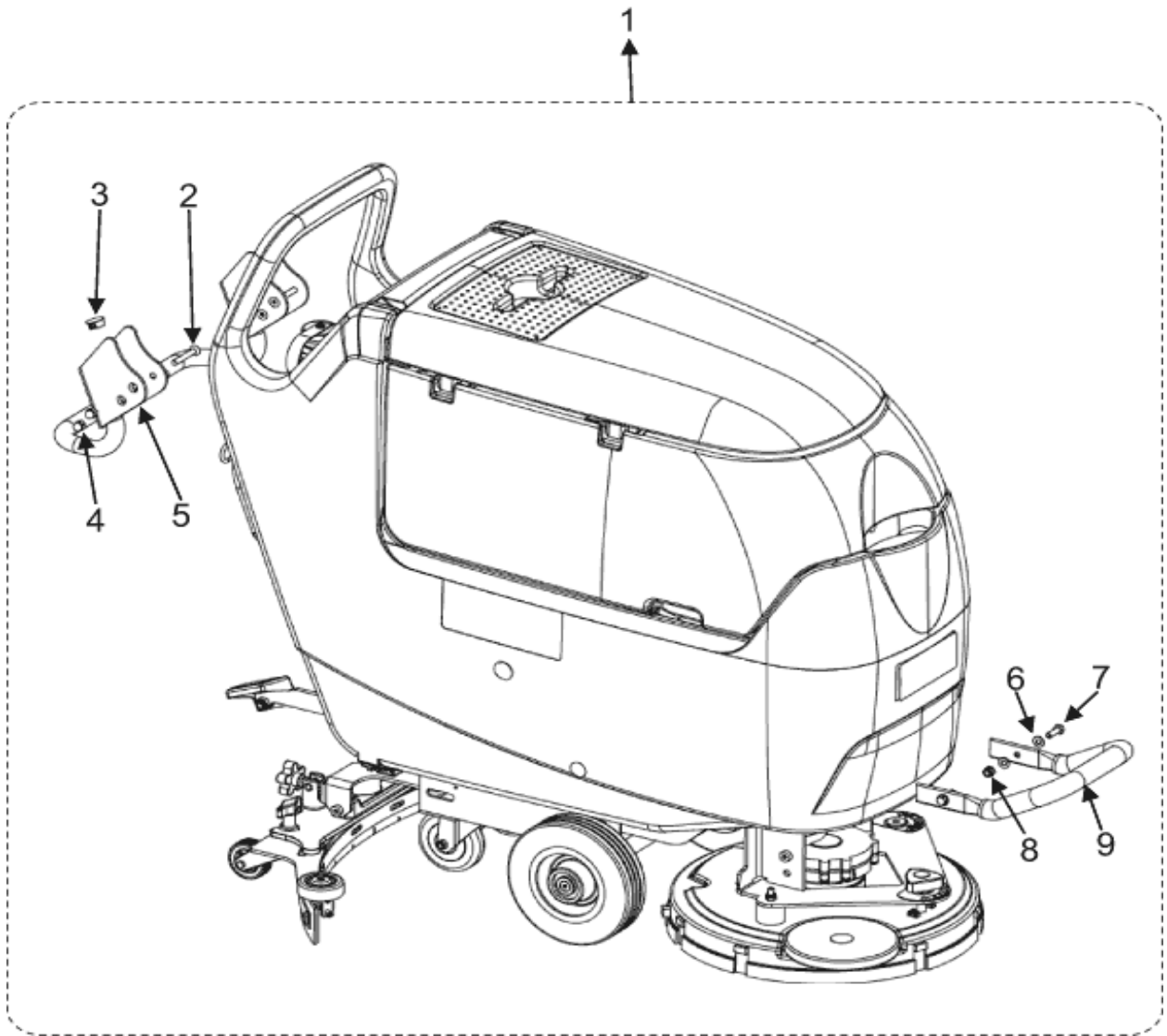
Accessory Lift handle kit

CA 451/531

05-08-2010

Part List ID
E193123

17



Accessory Lift handle kit

CA 451/531

05-08-2010

Part List ID E193123

18

Pos	Part no.	Qty	Description	INSTR.CODE	EAN
1	9096985000	1	HANDLE KIT	9096986000	5711140131

POSITION 1 INCLUDES: POS.2,3,4,5,6,7,8,9

Accessories

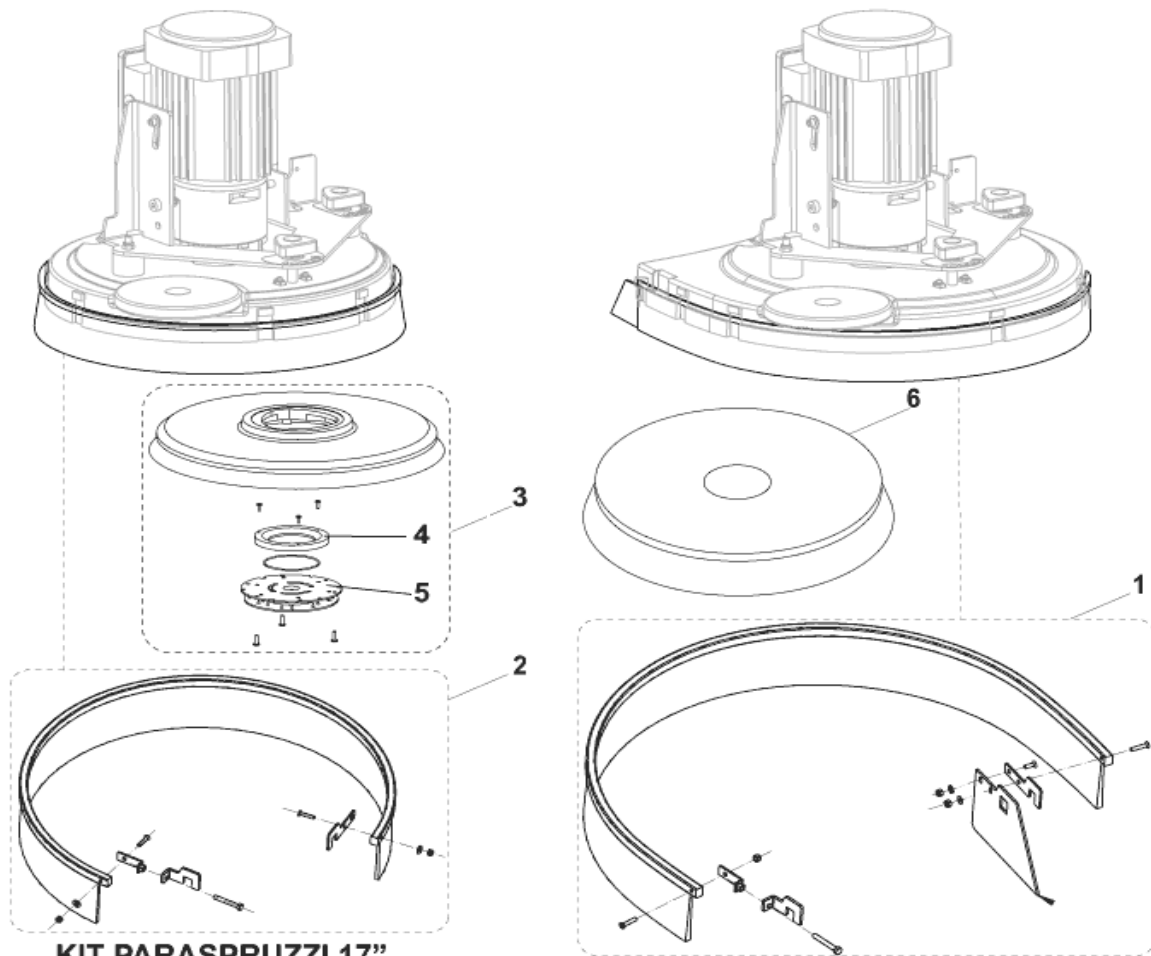
CA 451/531

05-08-2010

Part List ID

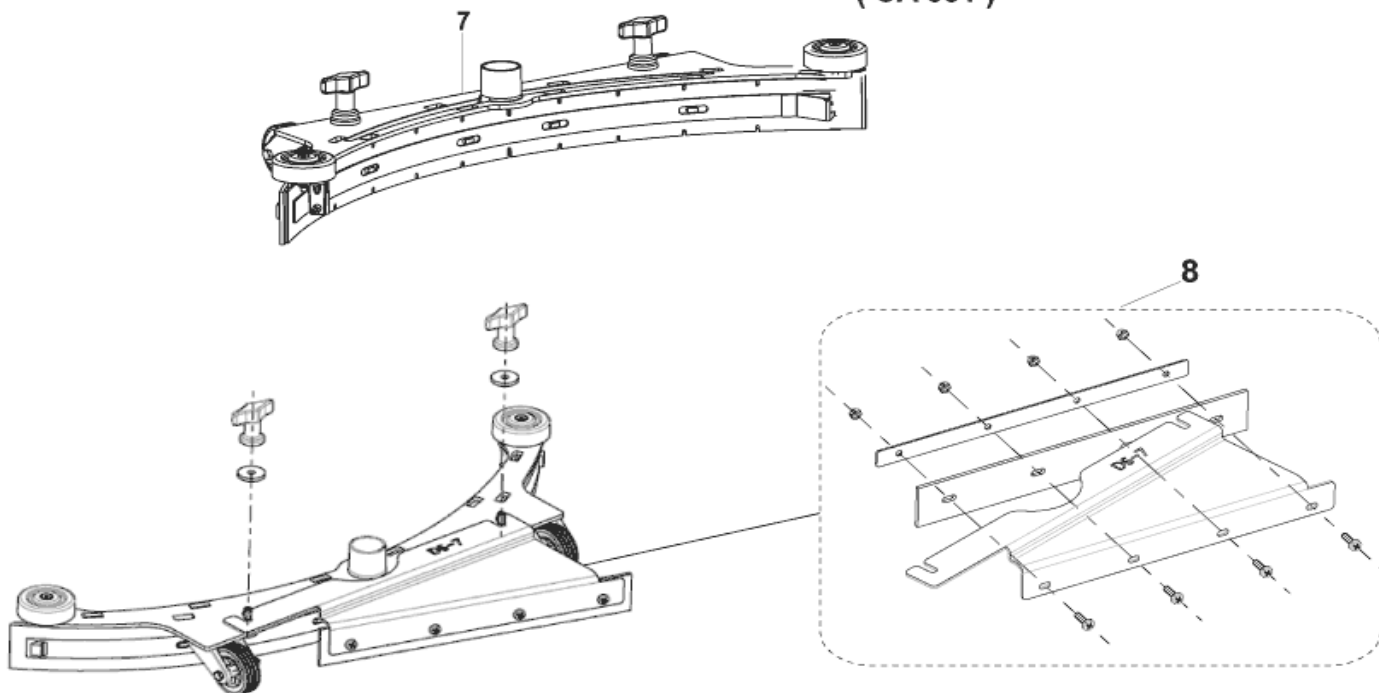
E193129

19



**KIT PARASPRUZZI 17"
SPLASH GUARD 17" KIT
(CA 451)**

**KIT PARASPRUZZI 20"
SPLASH GUARD 20" KIT
(CA 531)**



Accessories

CA 451/531

05-08-2010

Part List ID E193129

20

Pos	Part no.	Qty	Description	EAN
0	909 6483 000	1	BLADE NEOPRENE FRONT	5715492037
0	909 6484 000	1	BLADE NEOPRENE REAR	5715492037
0	909 6858 000	1	BLADES PU KIT 740MM/29	5715492037
0	909 6860 000	1	BLADES RUBBER KIT 740MM/29	5715492037
1	909 6736 000	1	SPLASH GUARD KIT 530MM/21	5715492037
2	909 6737 000	1	SPLASH GUARD KIT 450MM/18	5715492037
3	L08837017	1	PAD HOLDER 450MM	5715492036
3	L08837018	1	PAD HOLDER 530MM	5715492036
4	L08603966	1	RING NYLON	5711140016
5	L08837030	1	RETAINER PAD	5711140020
6	L08837017	1	PAD HOLDER 450MM	5715492036
6	L08837020	1	BRUSH PROLENE 450MM	5715492036
6	L08837021	1	BRUSH PROLITE 450MM	
6	L08837022	1	BRUSH UNION MIX 450MM	
6	L08837023	1	BRUSH MIDLITE GRIT	
6	L08837024	1	BRUSH MID GRIT 240 450MM	
6	L08837025	1	BRUSH PROLENE 530MM	5715492037
6	L08837026	1	BRUSH PROLITE 530MM	
6	L08837027	1	BRUSH UNION MIX 530MM	
6	L08837028	1	BRUSH, MIDLITE 180 GRIT	
6	L08837029	1	BRUSH, MIDGRIT MEDIUM	
6	L08837065	1	BRUSH MAGNA GRIT 46 530MM	
6	L08837066	1	BRUSH DYNA GRIT 80 530MM	
6	L08837067	1	BRUSH A SLIDEE GRIT 500	
7	909 6851 000	1	SQUEEGEE CPL ALU 760MM/30 KIT	5715492037
7	L08603878	1	SQUEEGEE CPL KIT 30	5711140016
8	9098343000	1	THIRD BLADE SQUEEGEE KIT D6/7	5711140146

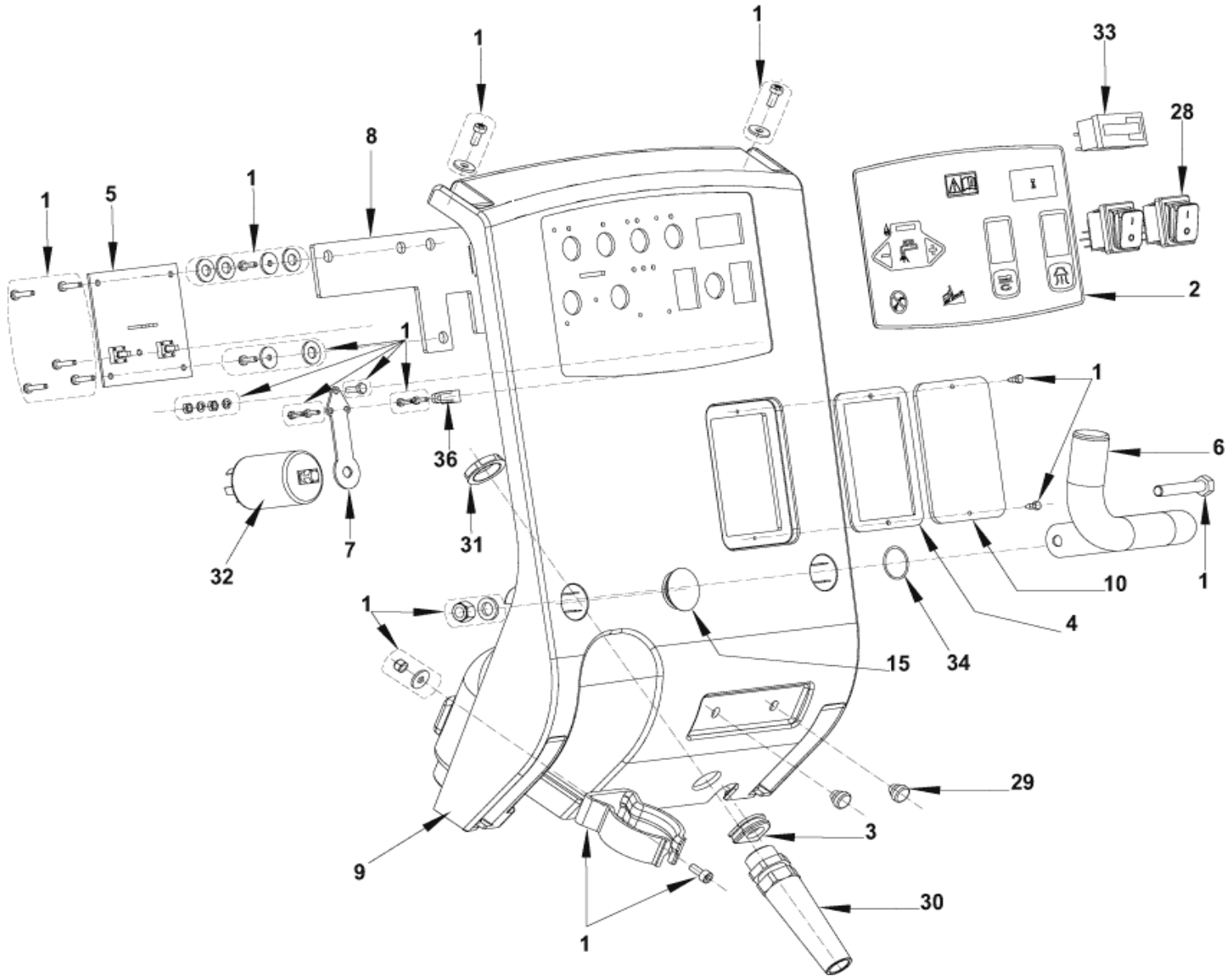
Control panel system

CA 451/531

05-08-2010

Part List ID
E193131

21



Control panel system

CA 451/531

05-08-2010

Part List ID E193131

22

Pos	Part no.	Qty	Description	EAN
0	909 6229 000	1	CABLE POWER SUPPLY ORANGE COLO	5711140126
0	909 6625 000	1	CABLE. BRUSH MOTOR	5711140129
0	909 6626 000	1	CABLE. VACUUM MOTOR	5711140129
0	909 6628 000	1	CABLE GROUND	5711140129
0	909 6630 000	1	HARNESS CONTROL PANEL	5711140129
0	909 6845 000	1	CABLE SOLENOID VALVE	5711140130
1	9098341000	1	HARDWARE CONTROL P.CABLE V.KIT	7319519677
2	9098636000	1	DECAL CONTROL PANEL	7319519680
3	909 6542 000	2	GROMMET	5711140128
4	909 6545 000	1	GASKET	5711140128
5	909 6547 000	1	CARD.ELECTRONIC	5711140128
6	909 6591 000	1	SUPPORT. CABLE	5711140129
7	909 6631 000	1	PLATE GROUND	5711140129
8	909 6644 000	1	PLATE BOARD INSULATION	5711140129
9	909 6654 000	1	COVER ELECTRIC COMPONENTS	5711140129
10	909 6655 000	1	COVER F INSPECTION PLATE	5711140129
28	909 5584 000	2	SWITCH	5711140123
29	909 6553 000	2	FEET RUBBER	5711140128
30	909 6656 000	1	CLAMP CABLE M 20X1.5	5711140129
31	909 6657 000	1	RING NUT	5711140129
32	909 6669 000	1	FILTER EMC 275V 16A	5711140129
33	909 6735 000	1	COUNTER HOUR 230V KIT	OPTION - INST.INSTR.909 6832 000 5715492037
34	909 6675 000	1	SEAL.O-RING 132	5711140129
36	L08600168	1	BLOCK CABLE FIXING	5711140012

Wiring diagram

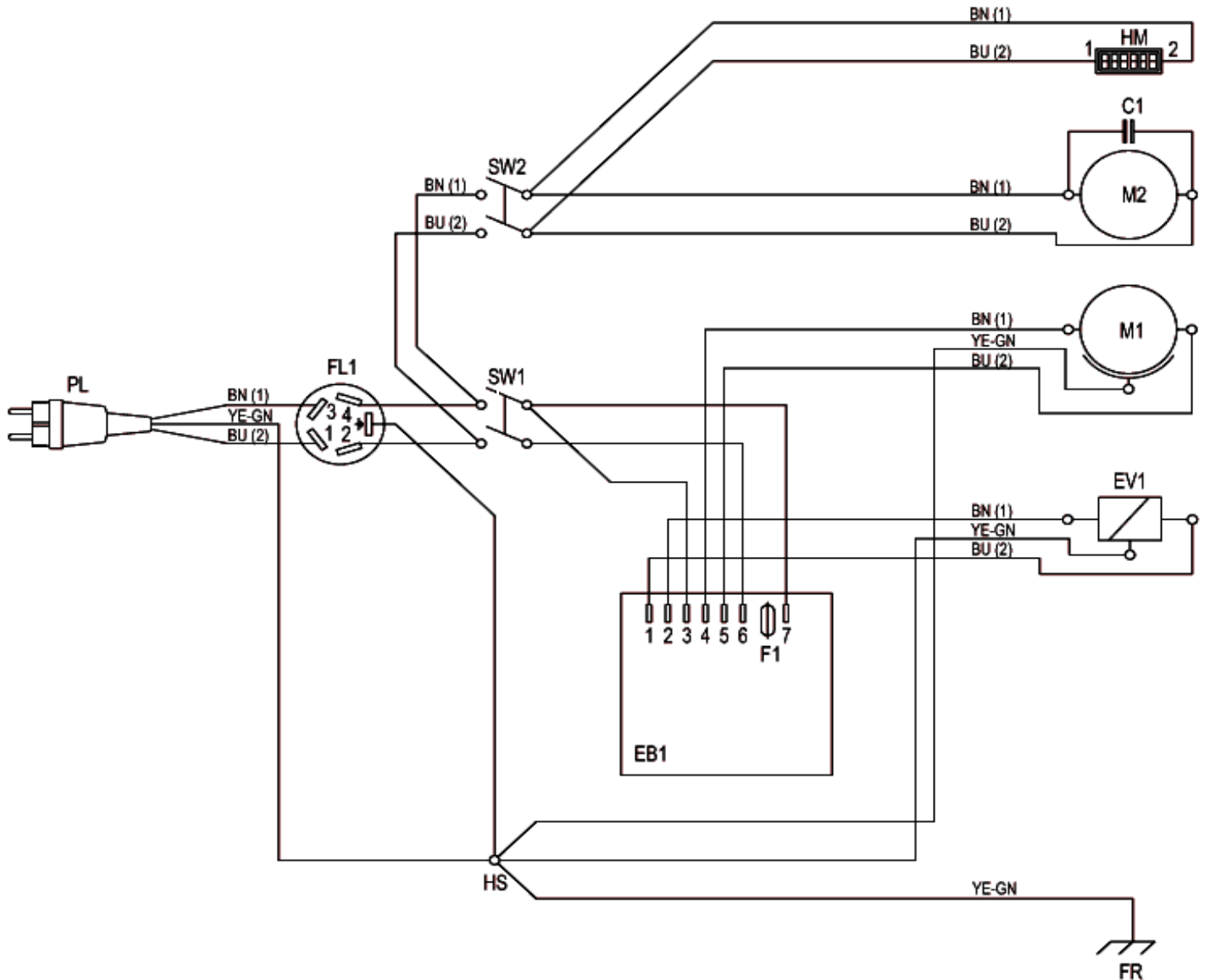
CA 451/531

05-08-2010

Part List ID

E193132

23



WIRING DIAGRAM
CA 451 - CA 531

Rev. A

909 6531 000

COMPONENTS / COMPONENTI		
C1	SUPPRESSION FILTER	CONDENSATORE DI FILTRAGGIO
EB1	WATER FLOW CONTROL BOARD	SCHEDA ELETR. CONTROLLO FLUSSO ACQUA
EV1	WATER ELECTROVALVE	ELETTROVALVOLA ACQUA
F1	ELECTRONIC BOARD FUSE	FUSIBILE SCHEDA ELETTRONICA
FL1	MAINS FILTER	FILTRO DI RETE
FR	MACHINE FRAME	TELAIO MACCHINA
HM	HOURMETER (OPT)	CONTAORE (OPT)
HS	HEART SCREW	VITE DI MESSAA TERRA
M1	BRUSH MOTOR	MOTORE SPAZZOLA
M2	VACUUM MOTOR	MOTORE ASPIRATORE
PL1	MAINS PLUG	SPINA DI RETE
SW1	BRUSH SWITCH	INTERRUTTORE SPAZZOLA
SW2	VACUUM SWITCH	INTERRUTTORE ASPIRATORE

Wiring diagram

CA 451/531

05-08-2010

Part List ID E193132

24

Recommended spare parts

CA 451/531

05-08-2010

Part List ID E193133

25

No Drawing For Part List

Recommended spare parts

CA 451/531

05-08-2010

Part List ID E193133

26

Pos	Part no.	Qty	Description	EAN
1	909 6650 000	1	SPONGE FOR WATER	5711140129
2	909 6681 000	1	HOSE CLEAN WATER	5711140129
3	L08812457	2	CAP TANK	5711140018
4	909 6874 000	1	CABLE TANK KIT	5711140130
5	9098265000	1	HARDWARE SOLUTION TANK KIT	7319519676
6	909 6230 000	1	HOSE SQUEEGEE VACUUM	5711140126
7	909 6528 000	1	HOSE DRAIN	5711140128
8	L08812259	2	CAGE.FLOAT CPL	5711140017
9	L08812373	1	BALL FLOATING	5711140018
10	9097681000	1	CAGE FLOAT HOLDER KIT	5711140135
11	145 0543 000	2	CLAMP 14/32-52	5711140023
12	909 6877 000	1	HARDWARE MOTOR FIXING KIT	5711140130
13	909 6876 000	1	HARDWARE CAGE SUP.FIXING KIT	5711140130
14	909 6803 000	1	MOTOR VACUUM KIT CABLE VERSION	5711140130
15	909 5719 000	2	BRUSH CARBON	5711140123
16	909 6491 000	1	PANEL ACOUSTIC INSULATION	5711140128
17	909 6490 000	1	GASKET VACUUM MOTOR	5711140128
18	9096918000	1	GASKET VACUUM MOTOR	5711140131
19	909 6672 000	1	FILTER	5711140129
20	909 6898 000	1	WHEEL CASTOR KIT	5711140131
21	909 6878 000	1	HARDWARE CHAS.FIXING KIT	5711140130
22	909 6507 000	2	WHEEL FRONT D.200	5711140128
23	9096994000	1	VALVE ELBOW	5711140131
24	9097166000	1	FILTER COMPLETE KIT	5711140132
25	9096995000	1	VALVE ELBOW W/PIPES KIT	5711140131
26	909 6624 000	1	SOLENOID VALVE 230V UL	5711140129
27	909 6636 000	1	HOLDER RUBBER 1/2 FEMALE	5711140129
28	9098777000	1	HOLDER RUBBER 90 GRAD.KIT	7319519678
29	909 6055 000	1	STRAP.SQUEEGEE FRONT	5711140125
30	909 6044 000	1	WELDMENT.SQUEEGEE TOOL	5711140125
31	9097637000	1	SQUEEGEE FIXING KIT	5711140134
32	909 6551 000	1	KNOB M8X30 SS	5711140128
33	909 6484 000	1	BLADE NEOPRENE REAR	5715492037
34	909 6483 000	1	BLADE NEOPRENE FRONT	5715492037
35	909 6851 000	1	SQUEEGEE CPL ALU 760MM/30 KIT	5715492037
36	909 6882 000	1	HARDWARE SQU.BLADE FIXING	5711140130
37	909 6883 000	1	WHEELS SQUEEGEE KIT	5711140131
38	909 6860 000	1	BLADES RUBBER KIT 740MM/29	5715492037
39	909 6884 000	1	ROLLER BUMPER SQUEEGE.KIT	5711140131
40	909 6394 000	1	LATCH SQUEEGEE KIT	5711140127
41	909 6885 000	1	HARDWARE SQUEEGEE FIXING KIT	5711140131
42	909 6043 000	1	DECK BRUSH	5711140125

Recommended spare parts

CA 451/531

05-08-2010

Part List ID

E193133

27

Pos	Part no.	Qty	Description	EAN
43	909 6042 000	1	DECK BRUSH	5711140125
44	909 5929 000	1	REDUCTION GEARMOTOR 1100W 230V	5711140125
45	9098340000	1	HOSE COPPER KIT	7319519677
46	9097184000	1	VIBRATION DAMPING M8 60SH	5711140132
47	9097093000	1	HOLDER POLYGONAL KIT	5711140132
48	909 6887 000	1	ROLLER BUMPER KIT	5711140131
49	9098344000	1	HARDWARE BRUSH DECK SYST.KIT	5711140146
50	909 6547 000	1	CARD.ELECTRONIC	5711140128
51	909 6669 000	1	FILTER EMC 275V 16A	5711140129
52	909 5584 000	1	SWITCH	5711140123
53	909 6100 000	1	DECAL CONTROL PANEL	5711140126
54	9098341000	1	HARDWARE CONTROL P.CABLE V.KIT	7319519677

Optionals

CA 451/531

05-08-2010

Part List ID E193135

28

No Drawing For Part List

Optionals

CA 451/531

05-08-2010

Part List ID

E193135

29

Pos	Part no.	Qty	Description	EAN
1	909 6736 000	1	SPLASH GUARD KIT 530MM/21	5715492037
2	909 6737 000	1	SPLASH GUARD KIT 450MM/18	5715492037
3	L08837020	1	BRUSH PROLENE 450MM	5715492036
4	L08837021	1	BRUSH PROLITE 450MM	
5	L08837022	1	BRUSH UNION MIX 450MM	
6	L08837023	1	BRUSH MIDLITE GRIT	
7	L08837024	1	BRUSH MID GRIT 240 450MM	
8	L08837017	1	PAD HOLDER 450MM	5715492036
9	L08837025	1	BRUSH PROLENE 530MM	5715492037
10	L08837026	1	BRUSH PROLITE 530MM	
11	L08837027	1	BRUSH UNION MIX 530MM	
12	L08837028	1	BRUSH, MIDLITE 180 GRIT	
13	L08837029	1	BRUSH,MIDGRIT MEDIUM	
14	L08837065	1	BRUSH MAGNA GRIT 46 530MM	
15	L08837066	1	BRUSH DYNA GRIT 80 530MM	
16	L08837067	1	BRUSH A SLIDEE GRIT 500	
17	L08837018	1	PAD HOLDER 530MM	5715492036
18	L08603878	1	SQUEEGEE CPL KIT 30	5711140016
19	909 6858 000	1	BLADES PU KIT 740MM/29	5715492037
20	9097209000	1	SWITCH ELECTROMAGNETIC 24V	5711140133
21	9096916000	1	FILTER SOLUTION TANK	5711140131
22	909 6735 000	1	COUNTER HOUR 230V KIT	5715492037
23	909 6734 000	1	BAND RUBBER KIT	5711140130
24	9097167000	2	WHEEL FRONT D.200 65SH	5711140132
25	909 5065 000	1	FILTER ANTIFOAMING	5711140120
26	9098343000	1	THIRD BLADE SQUEEGEE KIT D6/7	5711140146
27	9096985000	1	HANDLE KIT	INSTR.CODE 9096986000 5711140131
28	9098853000	1	ELBOW 90 SUCT.HOSE KIT RAL7001	TSB IT 2010-061 7319519680