

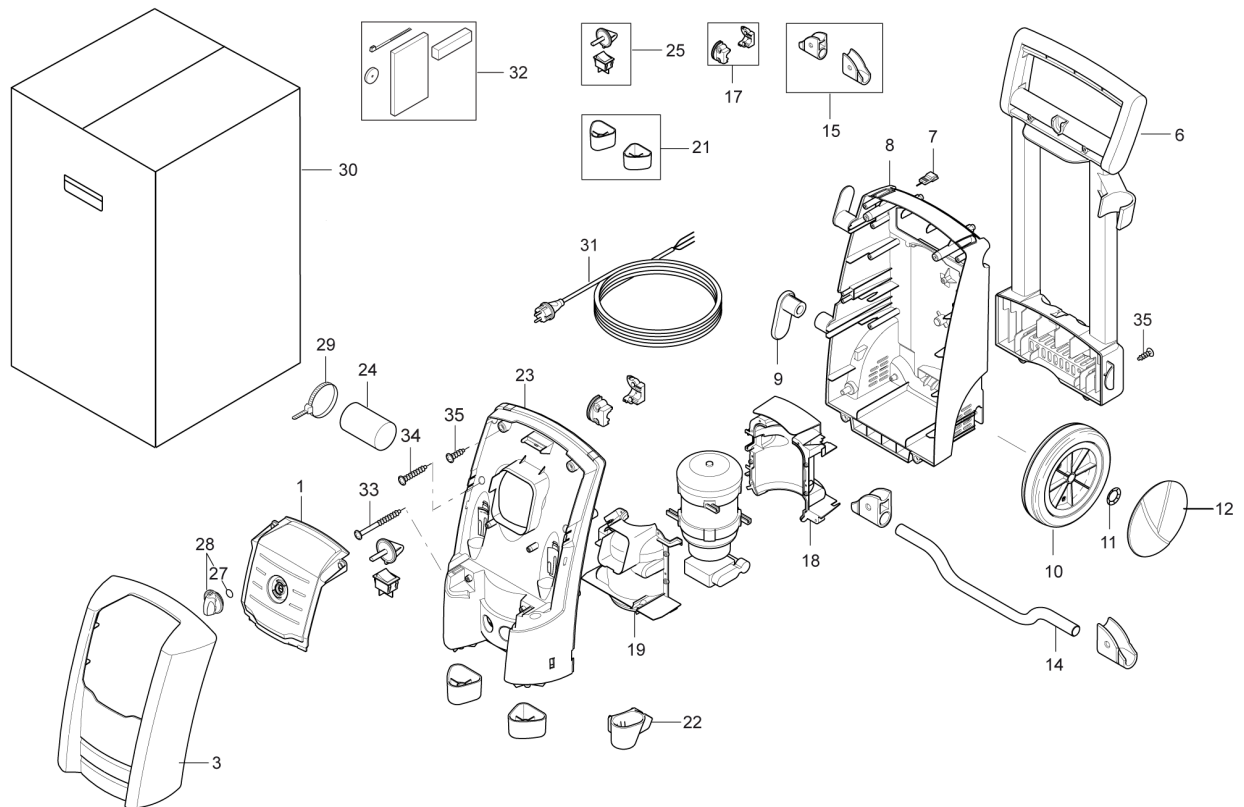
PARTS LIST



2020.03.16

TABLE OF CONTENTS

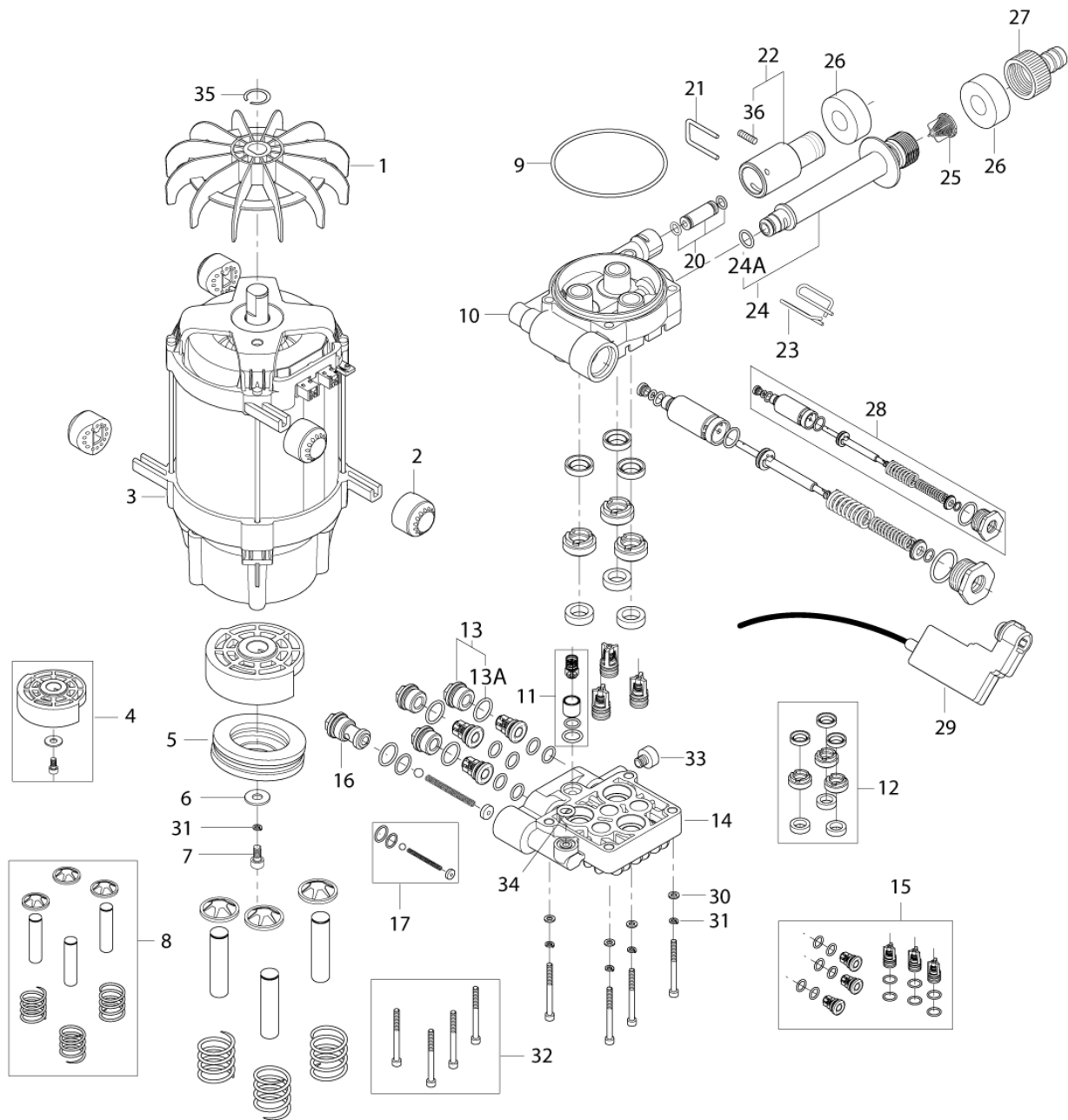
Overview	1
Motor pump	3
Hose reel	5
Motor pump X-tra	7
Default accessories	9



Pos.	Product no	QTY	Description	Notes
1	127440015	1	SWITCH COVER NILFISK	[1]
3	127440012	1	FRONT COVER C120.4	[1]
6	127440236	1	FIXED HANDLE	[1]
7	6520844	1	CLEANING TOOL BLACK	
8	127440206	1	CHASSIS BACK	[1]
9	127440208	1	ROTARY CABLE HOOK	[1]
10	127440209	1	WHEEL	[1]
11	127440210	1	LOCK WASHER	
12	126481340	1	WHEEL CAP 2 PCS RE117/RE127	[1]
14	127440213	1	WHEEL AXLE BENDER	[1]
15	127444002	1	WHEEL AXLE LOCKER	[1]
17	127444004	1	CABLE FASTEN	[1]
18	127440214	1	MP COVER BACK	[2]
19	127440215	1	MP COVER FRONT	[1]
21	127441006	1	LOW FOOT SYSTEM	[1]
22	127440216	1	LANCE HOLDER BOTTOM	
23	127440237	1	CHASSIS FRONT BLACK	[1]
24	127440219	1	CAPACITOR 30UF	[1]
24	127440238	1	CAPASITOR 25UF	
25	127444007	1	SWITCH SYSTEM	
27	9868	1	O-RING 10X25	
28	909100204	1	ROTARY KNOB	
29	1814741	1	CABLE TIE	
30	128307012	1	10PCS BOXES TO C120.4 X-TRA	[3]
30	128307011	1	10PCS BOXES TO C120.4	[4]
31	128300194	1	ELECTRIC CABLE AUS/NZ/AR	[1]
31	128300195	1	ELECTRIC CABLE JP/TW	[1]
31	128300191	1	ELECTRIC CABLE UK	[1]
31	128500359	1	POWER CABLE WITH PLUG EU	
31	128300192	1	ELECTRIC CABLE HK/ZA	[1]
32	128500237	1	SPARE PART KIT IPX5 FOAM	[2]
33	121814814	2	SCREW K50X65	[1]
34	128500595	2	SCREW K50X35 WN1452 BLACK TORX	
35	107141838	4	SCREW K50X18 WN1451 BLACK TORX	

Part Notes:

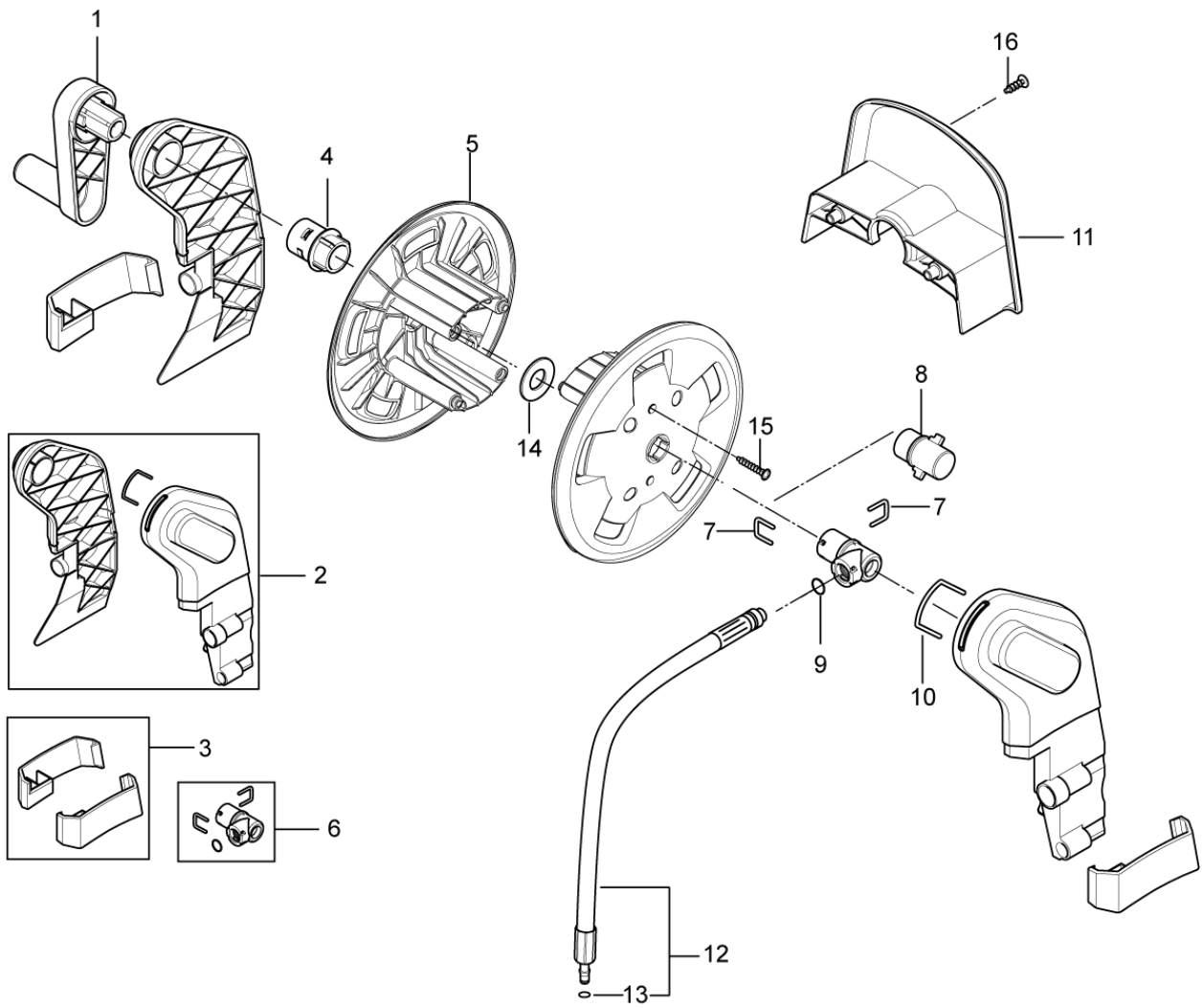
- [1] - STOCK COVERS GUARANTEE
- [2] - STOCK COVES GUARANTEE
- [3] - C 120.4-6 X-TRA
NO LONGER AVAILABLE
- [4] - C 120.4-6
NO LONGER AVAILABLE



Pos.	Product no	QTY	Description	Notes
1	127500040	1	FAN	
2	128332334	3	RACK FOR MOTOR	
3	127500039	1	MOTOR 2.1KW	[1]
3	127500038	1	MOTOR 1.7KW	[1]
4	127500030	1	WOBBLE DISK 6.6 DEGREES	[2]
5	127500032	1	THRUST BALL BEARING	
6	127130066	1	WASHER D22XD6.4X1.5	
7	3913	1	HEXAGON SOCKET HEAD CAP SCREW	
8	127500003	1	PISTON COMPLETE 3PCS	
9	128500289	1	O-RING 85X2.62 NR70	
10	127500004	1	CYLINDER GUIDE	
11	128342004	1	NON RETURN VALVE KIT OF NA1	
12	127500037	1	SEALING PARTS SYSTEM	
13	127500015	3	PLUG M18X1.5 WITH O-RING	
13A	3004221	3	O-RING	
14	127500034	1	CYLINDER HEAD	
15	6526026	1	VALVE SYSTEM REPAIR KIT	
16	127440017	1	EASY START PLUG 7.35X5 KIT	[1]
17	127440018	1	EASY START KIT	
20	127500007	1	REDUCTION WITH O-RING	
21	127500021	1	LOCK BRACKET	
22	127500043	1	NA1 STANDARE OUTLET	
23	126528532	1	LOCK BRACKET	
24	127500035	1	WATER INLET	
24A	127130107	1	O-RING 11.5X1.9 SH70	[1]
25	6528574	1	WATER FILTER COMPLETE	
26	126486792	2	FOAM SEAL FOR OUTLET & INLET	
27	1402809	1	QUICK COUPLING NIPPLE	
28	127500052	1	S/S VALVE COMPLETE DIA1.95MM	
29	127500010	1	MICRO SWITCH BOX SYSTEM	
30	127500029	4	WASHER	
31	127500050	4	SPRING WASHER	
32	127500071	1	SCREW M6X70 DIN 912 4PCS	
33	3289	1	SET SCREW M8X10 DIN 913 B R	
34	3001211	1	O-RING	
34	6411218	1	BAG WITH 10 O-RINGS 3001211	
35	127500051	1	LOCK RING	
36	128500242	1	M5 SCREW DIN916 SP	
38	127500051	1	LOCK RING	

Part Notes:

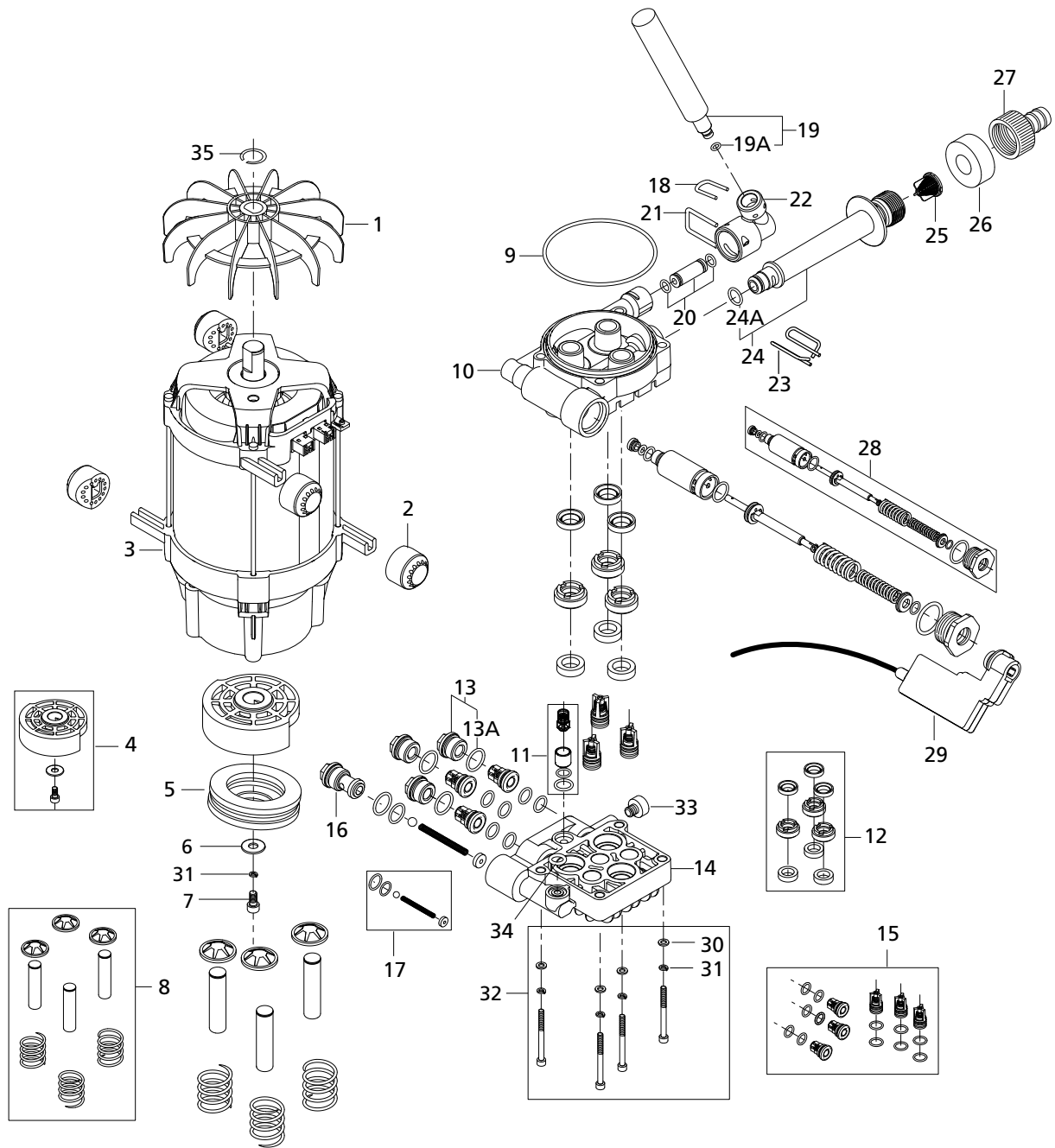
- [1] - STOCK COVERS GUARANTEE
- [2] - 220V 60Hz 1,8kW - 230V 50Hz 1,7kW
STOCK COVERS GUARANTEE



Pos.	Product no	QTY	Description	Notes
1	6528569	1	HANDLE HOSE REEL	
2	127444008	1	HOSE REEL SUPPORT	[1]
3	127444009	1	HOSE REEL SUPPORT BRACKET	[1]
4	127440225	1	AXLE FOR HOSE REEL	[1]
5	126486719	1	HOSE REEL HALF PART	
6	127440011	1	HOSE REEL ADAPTER	
7	6526487	2	LOCK	
8	128300063	1	AXLE FOR HOSE REEL	[1]
9	3002144	1	O-RING 14.3 X 2.4 NITRIL 70 SH	
10	127440229	1	LOCK BRACKET	
11	127440230	1	HOSE HOOK BACK	[1]
12	127440231	1	CONNECTION HOSE	
13	3004108	1	O-RING 5.28X1.78 NITRIL 90 SH	
14	127440233	1	DISK FOR HOSE REEL	[1]
15	128500595	2	SCREW K50X35 WN1452 BLACK TORX	
16	121814753	2	SCREW KB50X25 WN1411	[1]

Part Notes:

[1] - STOCK COVERS GUARANTEE



Pos.	Product no	QTY	Description	Notes
1	127500040	1	FAN	
2	128332334	3	RACK FOR MOTOR	
3	127500039	1	MOTOR 2.1KW	[1]
3	127500038	1	MOTOR 1.7KW	[1]
4	127500030	1	WOBBLE DISK 6.6 DEGREES	[2]
5	127500032	1	THRUST BALL BEARING	
6	127130066	1	WASHER D22XD6.4X1.5	
7	3913	1	HEXAGON SOCKET HEAD CAP SCREW	
8	127500003	1	PISTON COMPLETE 3PCS	
9	128500289	1	O-RING 85X2.62 NR70	
10	127500004	1	CYLINDER GUIDE	
11	128342004	1	NON RETURN VALVE KIT OF NA1	
12	127500037	1	SEALING PARTS SYSTEM	
13	127500015	3	PLUG M18X1.5 WITH O-RING	
13A	3004221	3	O-RING	
14	127500034	1	CYLINDER HEAD	
15	6526026	1	VALVE SYSTEM REPAIR KIT	
16	127440017	1	EASY START PLUG 7.35X5 KIT	[1]
17	127440018	1	EASY START KIT	
18	6525619	1	LOCK BRACKET. SMALL	
19	127440231	1	CONNECTION HOSE	
19A	3004108	1	O-RING 5.28X1.78 NITRIL 90 SH	
20	127500007	1	REDUCTION WITH O-RING	
20	127440019	1	REDUCTION D2 WITH O-RING KIT	[3]
21	127500021	1	LOCK BRACKET	
22	127500047	1	NA1 X-TRA OUTLET	
23	126528532	1	LOCK BRACKET	
24	127500035	1	WATER INLET	
24A	127130107	1	O-RING 11.5X1.9 SH70	[1]
25	6528574	1	WATER FILTER COMPLETE	
26	126486792	1	FOAM SEAL FOR OUTLET & INLET	
27	1402809	1	QUICK COUPLING NIPPLE	
28	127500052	1	S/S VALVE COMPLETE DIA1.95MM	
29	127500010	1	MICRO SWITCH BOX SYSTEM	
30	127500029	4	WASHER	
31	127500050	4	SPRING WASHER	
32	127500071	1	SCREW M6X70 DIN 912 4PCS	
33	3289	1	SET SCREW M8X10 DIN 913 B R	
34	6411218	1	BAG WITH 10 O-RINGS 3001211	
34	3001211	1	O-RING	
35	127500051	1	LOCK RING	

Part Notes:

- [1] - STOCK COVERS GUARANTEE
- [2] - 220V 60Hz 1,8kW - 230V 50Hz 1,7kW
STOCK COVERS GUARANTEE
- [3] - PH 60HZ
STOCK COVERS GUARANTEE

Pos.	Product no	QTY	Description	Notes
01	126481138	1	HOSE 6M	
01	126481120	1	PR TORNADO DARK BLUE	
01	6520844	1	CLEANING TOOL BLACK	
01	126481132	1	G3 GUN WITH INTERMEDIATE TUBE	
01	128500077	1	C&C FOAMSPRAYER WITH BOTTLE	
01	126481115	1	POWERSPEED GREEN	
01	126481134	1	G3 LANCE	
