

BR 755, BR 855

Model:
BR755
BR755C
BR855



Part List US-English

31-07-2010

Table of Contents

BR 755, BR 855

Chassis system	3
Control system	6
Decal system	9
Electrical system	11
Recovery system	14
Scrub system-cylindrical	16
Scrub system-cylindrical-skirt assemblies	19
Scrub system-BR 755 disk	21
Scrub system-BR 855 disk	24
Scrub system-disk-skirt assemblies	27
Solution system	29
Squeegee system	32
Squeegee assembly - BR 755	34
Squeegee assembly - BR 855	36
Wiring diagram	38
Optional kits and accessories	40
Brush selector guide-disk	43
Brush selector guide-cylindrical	45
Recommended spare parts	47
56314312/56422162 - Seat Belt Kit	50
56314981/56601527 - Battery Watering Kit, fig. 1	52
56314981/56601527 - Battery Watering Kit, fig. 2	54
56601085 - Beacon Kit	56
56601082 - EDS Onboard Chemical Kit	58
56601087 - Vacuum Wand Kit	60
56601090 - Dual Vac Kit	62
56601700 - BR 755 Disk Deck Assy Kit	64
56601701 - BR 855 Disk Deck Assy Kit	66
56601548 - 28" Cylindrical Deck Assy Kit	68
56601080 - On Board Charger Kit EU	70

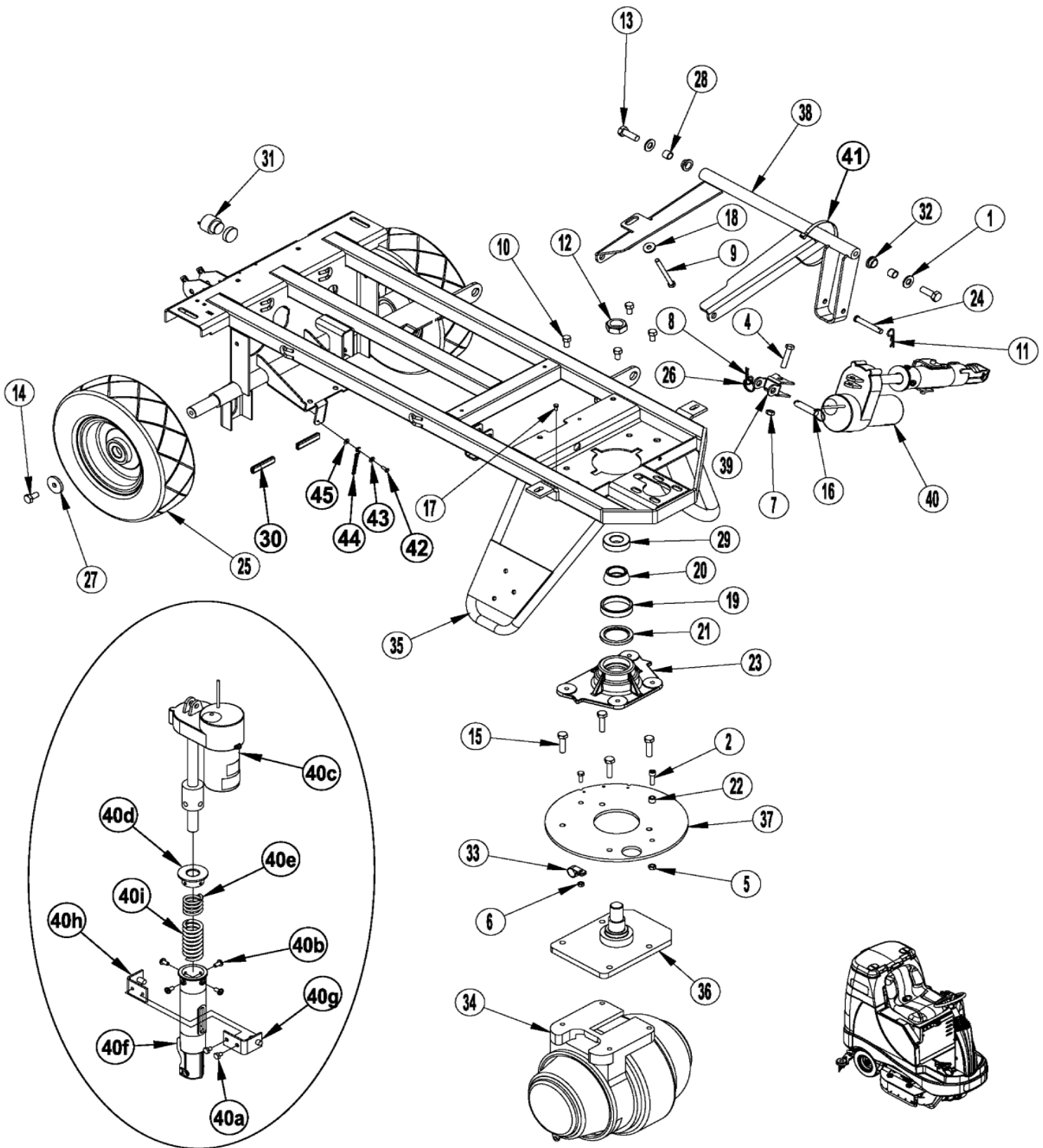
Chassis system

BR 755, BR 855

31-07-2010

Part List ID
BR7553

3



Chassis system

BR 755, BR 855

31-07-2010

Part List ID
BR7553

4

Pos	Part no.	Qty	Description	EAN
1	56001879	2	WSH FLT SAE 1/2	5711144000
2	56002129	1	SCR SOC HD 5/16 18 X 1.00	5711144001
3	56002155	1	SCR HEX 1/4 20 X .75	5711144001
4	56002684	1	SCR HEX 3/8 16 X 1.75	5711144002
5	56002826	1	NUT HEX NYL LOC THIN 5/16 18	5711144002
6	56002840	1	NUT HEX NYL LOC THIN 1/4 20	5711144002
7	56002841	1	NUT HEX NYL LOC THIN 3/8 16	5711144002
8	56002959	1	PIN COT HAIR SS.090XDIA .50/.75	5711144003
9	56003008	1	SCR HEX THD TO HD 5/16X18X3.5	5711144003
10	56003040	4	SCR HEX LOC 3/8 16 X .62	5711144003
11	56003120	1	PIN COT HAIR.093XDIA .25 .50	5711144004
12	56003220	1	NUT HEX NYL THIN 1 14 UNF	5711144004
13	56003412	2	SCR HEX NYL LOC M12 1.75X35MM	5711144005
14	56003442	2	SCR HEX LOC M10 1.50X20MM	5711144005
15	56003491	4	SCR HEX M10 1.50X 40MM	5711144006
16	56003679	1	PIN RING .50 X 1.63	5711144006
17	56009012	1	SCR HEX THD FORM 10 24X.38	5711144007
18	56009122	1	WSH FLT .344X.938X.125	5711144008
19	56158143	1	BEARING TR CP 2.44 E00135	5711144028
20	56158151	1	BEARING TR CN 1.250V51Y E00134	5711144028
21	56171081	1	SEAL SHAFT 1.750 PE202S 1	5711144028
22	56244941	1	BUSHING .31X.50X.40FC428E	5711144034
23	56314032	1	BLOCK BEARING	5711144053
24	56003803	1	PIN CLEVIS SS .375 X 2.50	5711144007
25	56601482	2	WHEEL	5711143107
26	56317071	1	RING	5711144062
27	56367117	2	WSH FLT STEEL .406CV31C	5711144067
28	56367206	2	BUSHING CV32G	5711144067
29	56378380	1	BEARING BALL .9843 CR25D	5711144068
30	56412122	2	TRIM EDGE	5711144091
31	56412177	1	HORN BACKUP ALARM H2	5711144091
32	56420160	2	BEARING FLANGE E00201	5711144106
33	56486112	1	CLAMP P	5711144125
34	56422174	1	TIRE PULLER KIT NOT SHOWN	5711144107
34	56601050	1	MOTOR DRIVE WHEEL M1	5711143106
34	56601471	1	TIRE NOT SHOWN	5711143107
34	56601472	1	TIRE WITH HUB NOT SHOWN	5711143107
34	56601473	1	MOTOR NOT SHOWN	5711143107
34	56601506	1	MOTOR COVER NOT SHOWN	5711143107
34	56601507	1	PARKING BRAKE NOT SHOWN	5711143107
34	56601509	1	CARBON BRUSH KIT NOT SHOWN	5711143107
35	56601073	1	CHASSIS WELDMENT	5711143106

Chassis system

BR 755, BR 855

31-07-2010

Part List ID
BR7553

5

Pos	Part no.	Qty	Description	EAN
36	56601077	1	SPINDLE WELDT	5711143106
37	56601159	1	PLATE STEERING	5711143106
38	56601239	1	DECK LINKAGE WELDT	5711143106
39	56601328	1	YOKE ACTUATOR	5711143106
40	56601432	1	LIFT ACTUATOR ASSEMBLY	5711144142
41	56477613	1	CABLE TIE E00549 RE409S	5711144123
42	56009039	1	SCR HEX THD FORM 10 24X .50	5711144007
43	56001954	1	WSH FLT SAE 10	5711144000
44	56601716	1	GROUND CHAIN	5711144142
45	56009011	1	WSH INT SHPRF 10	5711144007
46	56009112	1	WSH INT SHPRF 3/8	5711144008
40A	56009019	2	SCR HEX THD FORM 1/4 20X .38	5711144007
40B	56009062	4	SCR PAN PHIL THD FORM1/4 20X.5	5711144007
40C	56393303	1	ACTUATOR	5711144075
40D	56396268	1	SPRING HOUSING GUIDE	5711144078
40E	56412071	1	COMPRESSION SPRING	5711144091
40F	56412262	1	HOUSING SPRING	5711144092
40G	56420019	1	NUT RETAINER WLMT.	5711144105
40H	56420020	1	NUT RETAINER WLMT.	5711144105
40I	56601470	1	COMPRESSION SPRING	5711143107

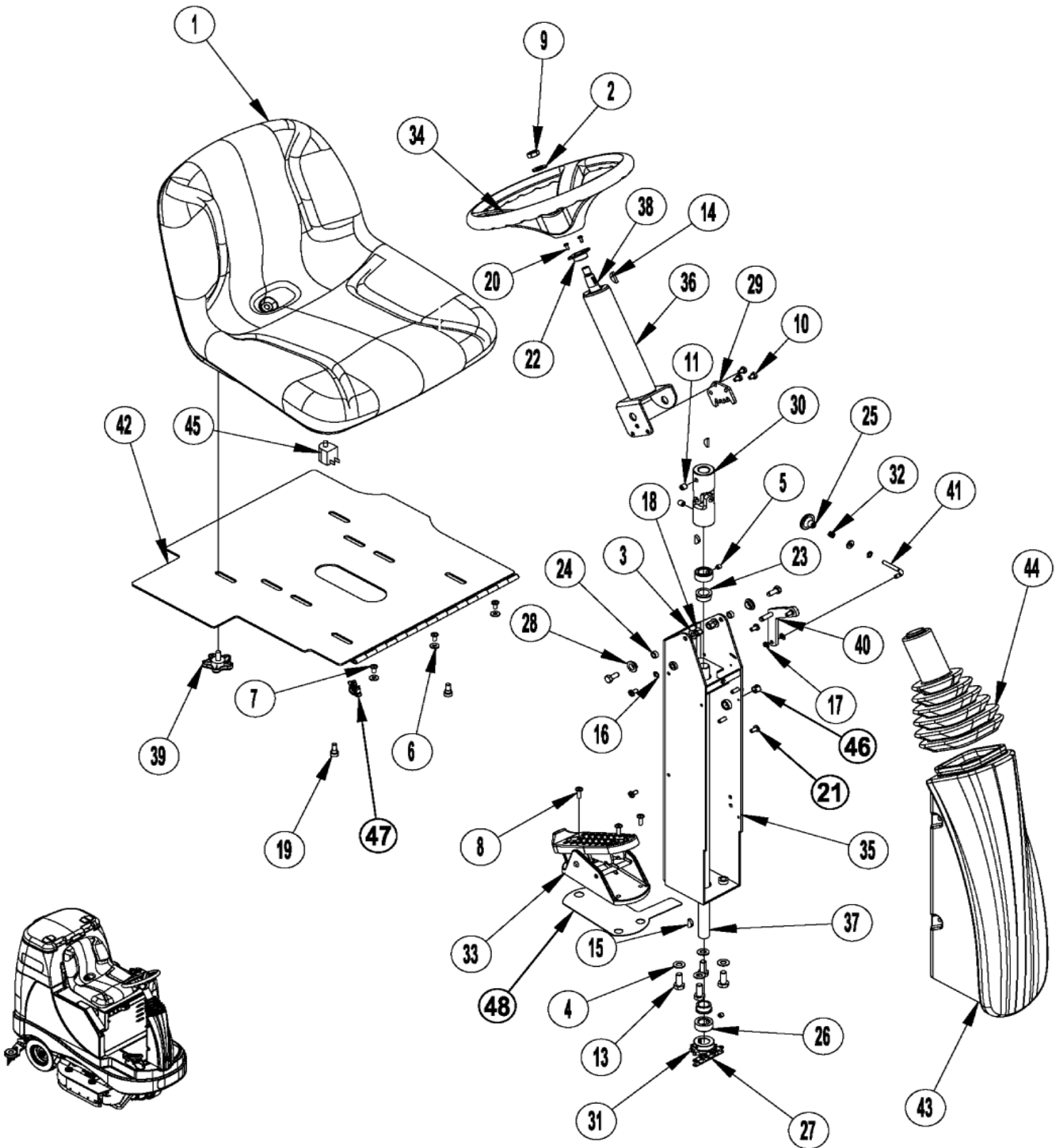
Control system

BR 755, BR 855

31-07-2010

Part List ID
BR7555

6



Control system

BR 755, BR 855

31-07-2010

Part List ID

BR7555

7

Pos	Part no.	Qty	Description	EAN
1	8-69-00022	1	SEAT	5711144196
2	56001879	1	WSH FLT SAE 1/2	5711144000
3	56001939	2	WSH FLT SAE 5/16	5711144000
4	56002063	4	WSH FLT SAE 3/8	5711144000
5	56002086	2	SCR SOC SET LOC 5/16 18 X .25	5711144000
6	56002098	4	WSH FLT SAE 1/4	5711144000
7	56002145	3	SCR PAN PHIL 1/4 20 X .50	5711144001
8	56002507	3	SCR PAN PHIL 1/4 20 X .75	5711144001
9	56002843	1	NUT HEX NYL LOC THIN 1/2 13	5711144002
10	56002933	3	SCR HEX LOC 1/4 20 X .38	5711144003
11	56003081	2	SCR SOC SET LOC 3/8 16 X .38	5711144003
12	56003179	2	SCR HEX THD/HD M8 1.25X20MM	5711144004
13	56003186	4	SCR HEX THD/HD M10 1.50 X 25MM	5711144004
14	56003227	1	KEY WDF 61	5711144004
15	56003228	3	KEY WDF 606	5711144004
16	56003261	1	RING RET EXT TYPE E	5711144004
17	56003268	3	RING RET EXT TYPE E REINF	5711144004
18	56003389	2	NUT HEX NYL LOC M8X1.25	5711144005
19	56003730	3	SCR SOC HD.38X.25 5/16 18	5711144007
20	56009051	2	SCR PAN PHIL THD FORM 8 32X.38	5711144007
21	56009062	4	SCR PAN PHIL THD FORM1/4 20X.5	5711144007
22	56100393	1	BUSHING	5711144018
23	56250414	2	BEARING FLANGE .752FA1J E00201	5711144035
24	56320595	2	BUSHING .31X.50X.28HC18M	5711144062
25	56362778	1	KNOB 1.25X1/4 28 CA29M	5711144066
26	56367095	2	COLLAR SHAFT .750 CV31A	5711144067
27	56412198	1	CHAIN ROLLER 2 LINKS W/CHAIN	5711144092
28	56413211	2	BEARING FLANGE .625X.500X.250	5711144093
29	56413658	1	RATCHET STEERING COLUMN	5711144095
30	56454081	1	U JOINT	5711144109
31	56471148	1	SPROCKET H40B11 RE188C	5711144123
32	56578222	1	SPRING COM .36X.875 E00453	5711144141
33	56601052	1	FOOT PEDAL ASSY	5711143106
34	56601060	1	STEERING WHEEL	5711143106
35	56601163	1	LOWER COLUMN WELDMENT	5711143106
36	56601169	1	UPPER COLUMN WELDMENT	5711143106
37	56601223	1	SHAFT LOWER STEERING	5711143098
38	56601224	1	SHAFT UPPER STEERING	5711143098
39	56601271	1	KNOB 5/16 STUD	5711143106
40	56601284	1	STEERING PAWL WELDMENT	5711143106
41	56601292	1	PULL LEVER	5711143106
42	56601362	1	SEAT PANEL WELDMENT	5711143106

Control system

BR 755, BR 855

31-07-2010

Part List ID BR7555

8

Pos	Part no.	Qty	Description	EAN
43	56601484	1	SHROUD STEERING COLUMN	5711143107
44	56601500	1	BOOT STEERING	5711143103
45	7-82-00050	1	SWITCH SEAT S2	5711144181
46	56601683	1	PLUG CAP	5711143109
47	56386407	1	CLIP E00360	5711144071
48	56601601	1	FOOT PEDAL PLATE	5711143109

Decal system

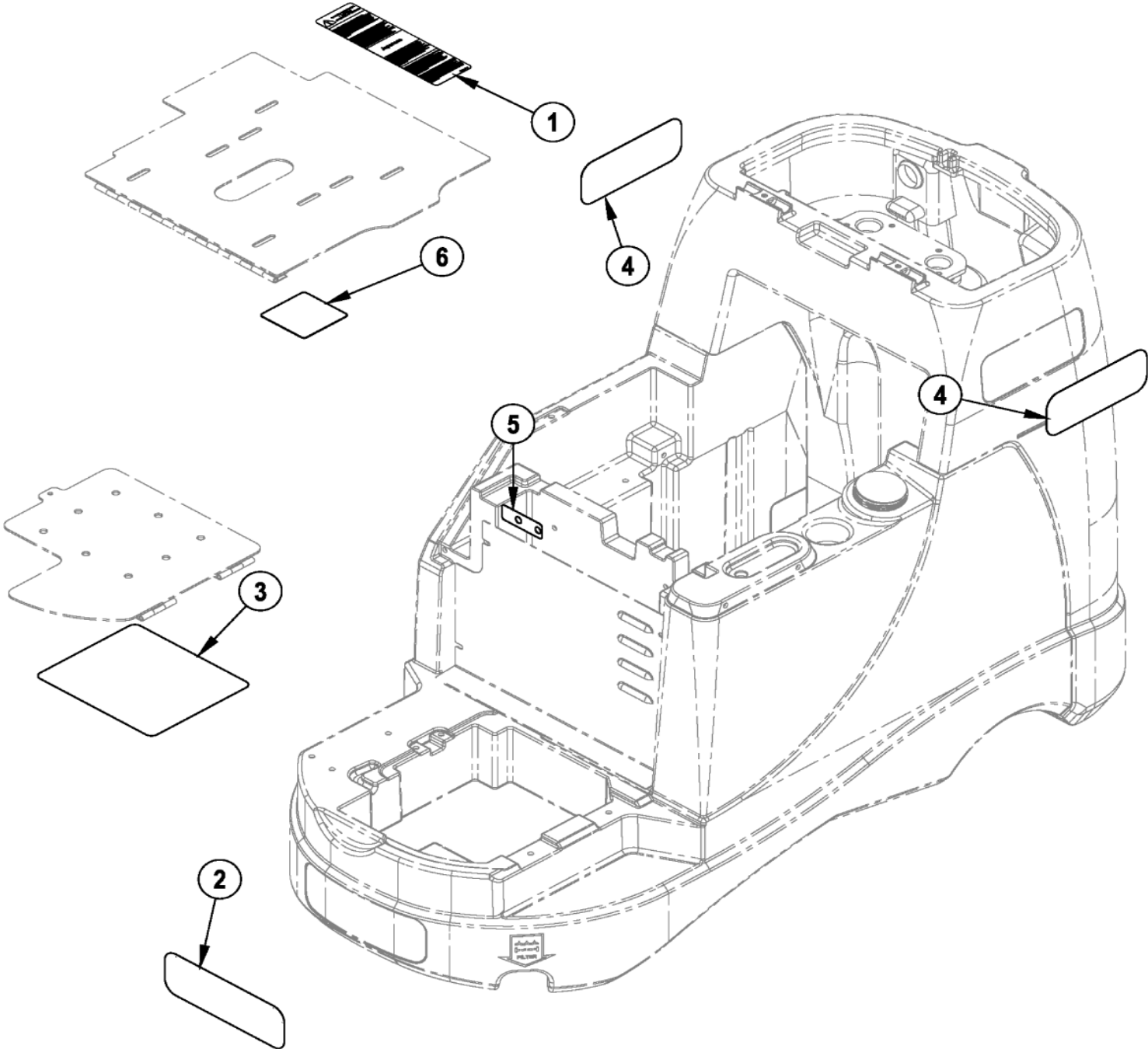
BR 755, BR 855

31-07-2010

Part List ID

BR7557

9



Decal system

BR 755, BR 855

31-07-2010

Part List ID
BR7557

10

Pos	Part no.	Qty	Description	EAN
1	56014601	1	DECAL CAUTION	5711144009
2	56016731	1	DECAL NILFISK	5711144012
3	56601176	1	DECAL LADDER DIAGRAM	5711143106
4	56601303	2	DECAL BR755	5711143106
4	56601305	2	DECAL BR855	5711143106
5	56601414	1	DECAL CIRCUIT BREAKER	5711143106
6	56601589	1	DECAL BATTERY WIRING	5711143107

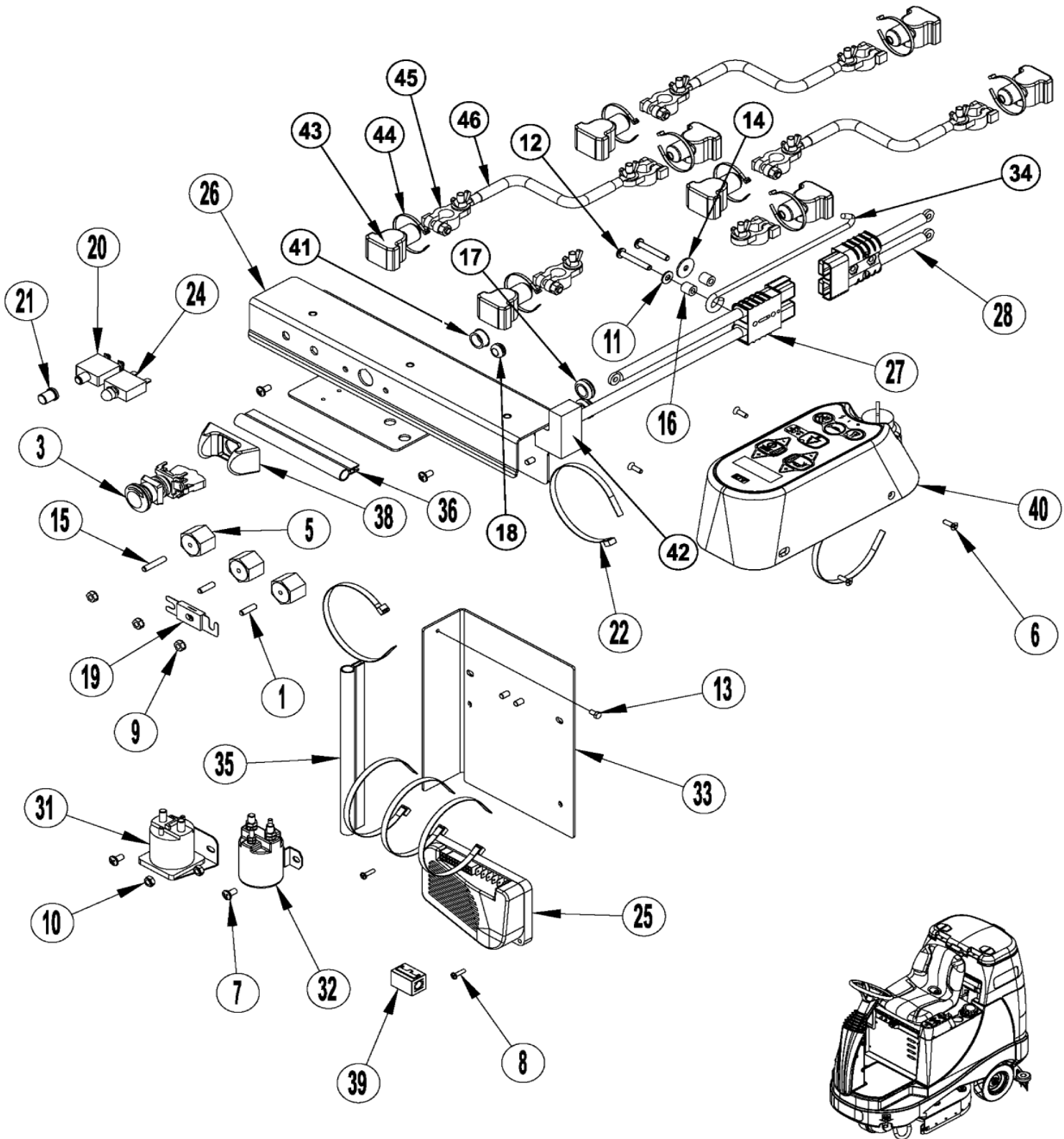
Electrical system

BR 755, BR 855

31-07-2010

Part List ID
BR7559

11



Electrical system

BR 755, BR 855

31-07-2010

Part List ID
BR7559

12

Pos	Part no.	Qty	Description		EAN
1	56009020	2	STUD 1/4 20 X .88		5711144007
3	56407130	1	DISCONNECT EMERGENCY	S4	5711144081
5	56469858	3	INSULATED STANDOFF		5711144122
6	56002099	4	SCR FLT PHIL 10 24 X .62		5711144000
7	56002145	4	SCR PAN PHIL 1/4 20 X .50		5711144001
8	56002146	2	SCR PAN PHIL 8 32 X .62		5711144001
9	56002561	3	NUT HEX W/SHRPF 1/4/20		5711144001
10	56002840	2	NUT HEX NYL LOC THIN 1/4 20		5711144002
11	56002859	1	WSH FLT SAE SS 1/4		5711144002
12	56002997	2	SCR PAN PHIL 1/4 20 X 1.75		5711144003
13	56009012	1	SCR HEX THD FORM 10 24X.38		5711144007
14	56009060	2	WSH FLT SS .260X1.000X.074		5711144007
15	56009203	1	STUD 1/4 20X1.31		5711144008
16	56046309	2	SPACER PHENOLIC		5711144015
17	56157376	2	GROMMET 1 OD X 9/16 ID X 5/		5711144028
18	56321540	1	GROMMET .500 HC42D		5711144062
19	56412089	1	FUSE 150 AMP	F1	5711144091
20	56454429	1	CIRCUIT BREAKER 70A	CB1	5711144110
21	56459369	1	BOOT RESET BUTTON E00586		5711144115
22	56477613	9	CABLE TIE E00549 RE409S		5711144123
24	56507644	1	CIRCUIT BREAKER 10 AMP	CB2	5711144132
25	56601061	1	SPEED CONTROL	A2	5711143106
26	56601105	1	PANEL		5711143106
27	56601171	1	CONNECTOR ASM		5711143106
28	56601172	1	CONNECTOR ASM		5711143106
29	56601174	1	HARNESS MAIN	NOT SHOWN	5711143098
30	56601175	1	HARNESS TRACTION DRIVE	NOT SHOWN	5711143098
31	56601183	1	CONTACTOR 24V 100 AMP	K1	5711143098
32	56412179	1	CONTACTOR 24 VDC	K2	5711144091
33	56601185	1	PANEL		5711143098
34	56601215	1	PROP ROD SEAT		5711143098
35	56601251	1	GASKET		5711143106
36	56601252	1	GASKET		5711143106
37	56601431	1	CABLE ASSEMBLY	NOT SHOWN	5711143106
38	56601434	1	EMERGENCY BUTTON GUARD		5711143106
39	40849A	1	SUPPRESSOR EMI SPLIT		5711143023
40	56303526	1	KEY REPLACEMENT SET OF 2	NOT SHOWN	5711144043
40	56303553	1	KEY SWITCH ASSEMBLY	S1 - NOT SHOWN	5711144043
40	56601096	1	KIT INTERFACE PANEL	Membrane Switch, Interface Panel - NOT SHOWN	5711143106
40	56601565	1	INTERFACE PANEL	A1	5711143107
41	56900144	1	PLUG CAP E00046		5711144145
42	56601600	1	FOAM INSERT		5711143109

Electrical system

BR 755, BR 855

31-07-2010

Part List ID BR7559

13

Pos	Part no.	Qty	Description	EAN
43	56372673	8	BOOT BATTERY POST	5711144067
44	56478246	8	CABLE TIE E00549 RE438BA	5711144124
45	56398090	8	TERMINAL CLAMP BTY CT414	5711144081
46	56409485	3	CABLE ASSY.1 X 15.00	5711144085

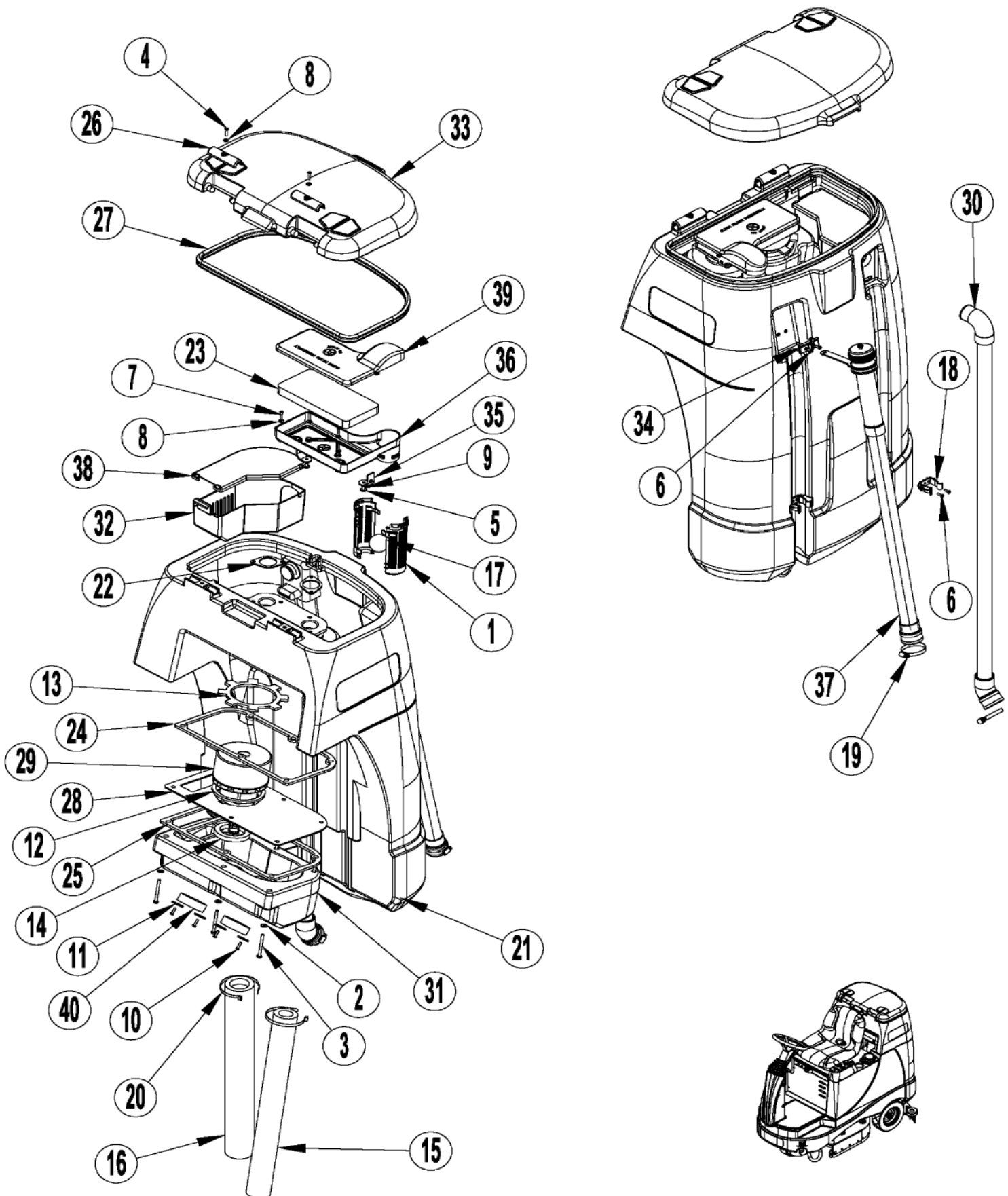
Recovery system

BR 755, BR 855

31-07-2010

Part List ID
BR75511

14



Recovery system

BR 755, BR 855

31-07-2010

Part List ID
BR75511

15

Pos	Part no.	Qty	Description	EAN
1	56324497	2	FLOAT CAGE	5711144064
2	56002098	6	WSH FLT SAE 1/4	5711144000
3	56002603	6	SCR HEX 1/4 20 X 3.00	5711144001
4	56002733	2	002733N PHIL 10 24 X .88	5711144002
5	56002859	2	WSH FLT SAE SS 1/4	5711144002
6	56002896	6	SCR PAN PHIL SS 10 24 X .62	5711144003
7	56002898	4	SCR PAN PHIL SS 10 24 X 1.00	5711144003
8	56002916	6	WSH FLT SAE SS 10	5711144003
9	56003799	2	PLASTITE 1/4 10 X 1/2	5711144007
10	56009005	4	SCR PANPHILS TYPE AB 10 16X.75	5711144007
12	56212143	1	GASKET VACUUM DUCT	5711144033
13	56264103	1	GASKET VAC MOTOR	5711144037
14	56314760	1	GASKET VACUUM DUCT	5711144056
15	56315375	1	FOAM ACOUSTICAL HOSE	5711144059
16	56315847	1	FOAM TUBE ASSEMBLY	5711144061
17	56391690	1	BALL FLOAT	5711144073
18	56407361	2	CLAMP PLASTIC	5711144082
19	56440213	2	CLAMP HOSE SAE 32E00047	5711144107
20	56477613	2	CABLE TIE E00549 RE409S	5711144123
21	56601120	1	RECOVERY TANK	5711143106
22	56601121	2	GASKET VAC FILTER	5711143103
23	56601125	1	FILTER	5711143103
24	56601126	1	GASKET EXHAUST	5711143103
25	56601127	1	GASKET VAC	5711143103
26	56601128	2	HINGE CLAMP	5711143106
27	56601130	1	GASKET RECOVERY LID	5711143106
28	56601131	1	VAC PLATE STANDARD	5711143106
29	56397098	1	CARBON BRUSH SET	SET OF 2 - NOT SHOWN 5711144079
29	56601488	1	VAC MOTOR W/SUPPRESSION	M5 5711143107
30	56601136	1	RECOVERY HOSE	5711143106
31	56601137	1	VAC MOTOR COVER	5711143106
32	56601138	1	STRAINER BASKET	5711143106
33	56601139	1	LID RECOVERY TANK	5711143106
34	56601204	1	HOOK DRAIN HOSE	5711143098
35	56601250	2	STRAP FILTER COVER	5711143103
36	56601253	1	FILTER BOX	5711143106
37	56601404	1	DRAIN HOSE	5711143106
38	56601421	1	COVER DEBRIS	5711143106
39	56601451	1	COVER FLTR BOX W/GSKT	5711143106
40	909 6672 000	2	FILTER	5711140129

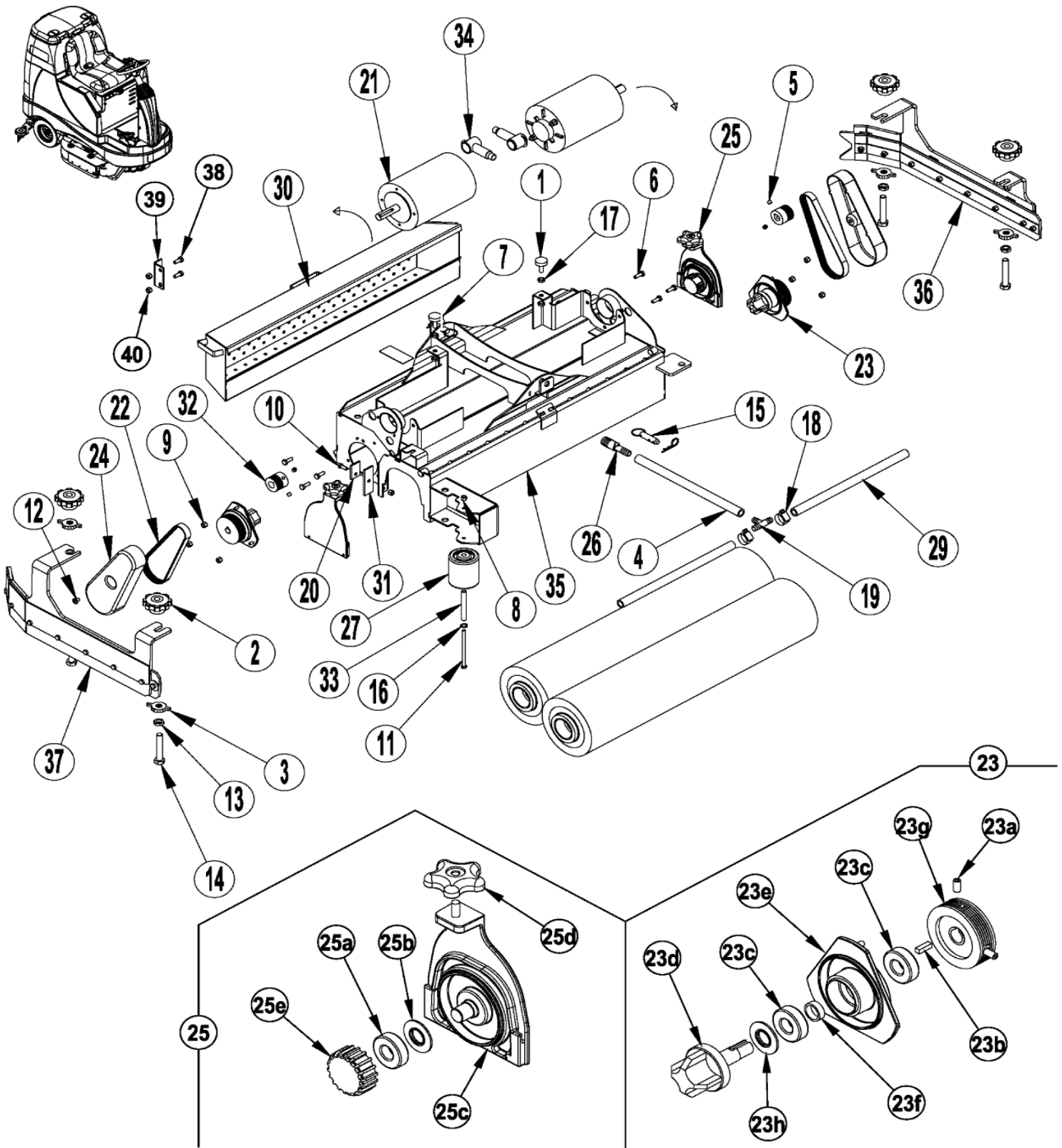
Scrub system-cylindrical

BR 755, BR 855

31-07-2010

Part List ID
BR75513

16



Scrub system-cylindrical

BR 755, BR 855

31-07-2010

Part List ID
BR75513

17

Pos	Part no.	Qty	Description	EAN
1	56401783	2	LEVELER TANK CR630G	5711144081
2	56407114	4	KNOB TSBUS2010-1060	5711144081
3	56407334	4	KNOB	5711144082
4	56409462	1	HOSE .50 X 12.0 E00604	5711144084
5	56002086	4	SCR SOC SET LOC 5/16 18 X .25	5711144000
6	56002948	6	SCR HEX HP LOC 1/4 20 X 0.75	5711144003
7	56002959	2	PIN COT HAIR SS.090XDIA.50/.75	5711144003
8	56003403	1	NUT HEX NYL LOC M6 X 1.00	5711144005
9	56003426	8	NUT HEX NYL LOC SS M6	5711144005
10	56003431	2	SCR HEX SS M6 1.00X16MM	5711144005
11	56003492	1	SCR HEX M6 1.0 X 100MM	5711144006
12	56003603	2	SCR PAN PHILTHDFORM 1/4 20X.38	5711144006
13	56003657	4	NUT HEX JAM M12 1.75	5711144006
14	56003658	4	SCR THD TO HD SS M12 1.75X70MM	5711144006
15	56003671	2	PIN, RING .50 X 1.25	
16	56009045	2	WSH BOWED .375X.578X.060	5711144007
17	56009086	4	NUT HEX JAM 5/16 18	5711144008
18	56112771	2	CLAMP HOSE SAE 10 E00047	5711144028
19	56262549	1	TEE E00455	5711144036
20	56314436	2	STRAP	5711144055
21	56315061	2	MOTOR 24VDC .5HP 1800RPM M7 / M8	5711144058
21	56412287	1	MOTOR BRUSH/SPRING KIT NOT SHOWN	5711144092
22	56315321	2	BELT AUTO TENSION	5711144059
23	56315408	2	DRIVE END ASSEMBLY	5711144059
24	56315445	2	COVER BELT	5711144059
25	56315448	2	IDLER END ASSEMBLY	5711144059
26	56315625	1	BARB COUPLER 3/4 X 1/2	5711144060
27	56316089	1	WHEEL	5711143105
28	56316210	2	HARNES BRUSH MOTOR NOT SHOWN	5711144061
29	56316553	2	MANIFOLD PVC 28 ADV ENGER	5711144061
30	56601688	1	HOPPER WELDMENT	5711144142
31	56407391	2	BLADE DECK GUM	5711144082
32	56407433	2	SHEAVE POLY V	5711144083
33	56412176	1	BUSHING	5711144091
34	56493357	2	INSULATOR TERMINAL	5711144126
35	56601107	1	HOUSING WELDMT	5711143106
36	56601468	1	LEFT SKIRT ASSEMBLY	5711143109
37	56601476	1	RIGHT SKIRT ASSEMBLY	5711144142
38	56002667	2	SCR HEX 5/16 18 X .75	5711144002
39	56601675	1	BRACKET	5711143109
40	56002701	2	NUT HEX NYL LOC 5/16 18	5711144002
23A	56002119	2	SCR SOC SET LOC 1/4 20 X .50	5711144000

Scrub system-cylindrical

BR 755, BR 855

31-07-2010

Part List ID
BR75513

18

Pos	Part no.	Qty	Description	EAN
23B	56003237	1	KEY SQ .19 X .62	5711144004
23C	56106070	2	BEARING BALL Z22	5711144019
23D	56109527	1	SPINDLE	5711144021
23E	56315405	1	BEARING PLATE	5711144059
23F	56407389	1	SPACER	5711144082
23G	56407442	1	SHEAVE POLY V	5711144083
23G	56407558	1	WASHER BEARING	5711144083
25A	56106070	1	BEARING BALL Z22	5711144019
25B	56407558	1	WASHER BEARING	5711144083
25C	56315447	1	IDLER BEARING PLATE	5711144059
25D	56396254	1	KNOB	5711144078
25E	56407551	1	HUB	5711144083

Scrub system-cylindrical-skirt assemblies

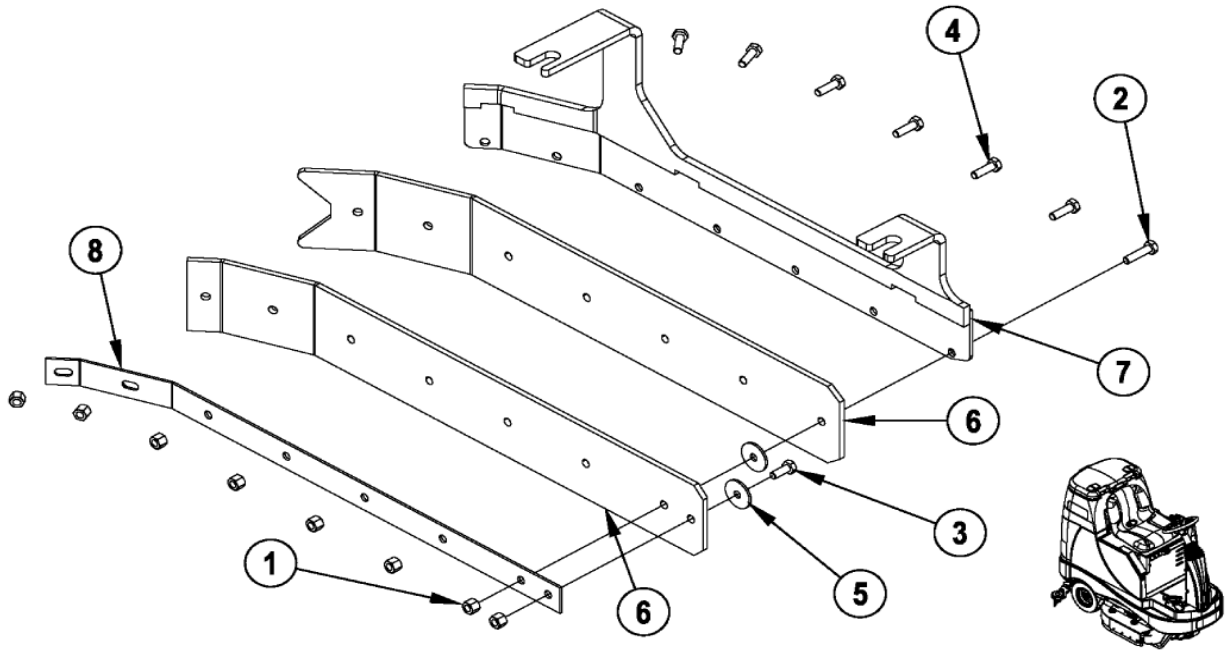
BR 755, BR 855

31-07-2010

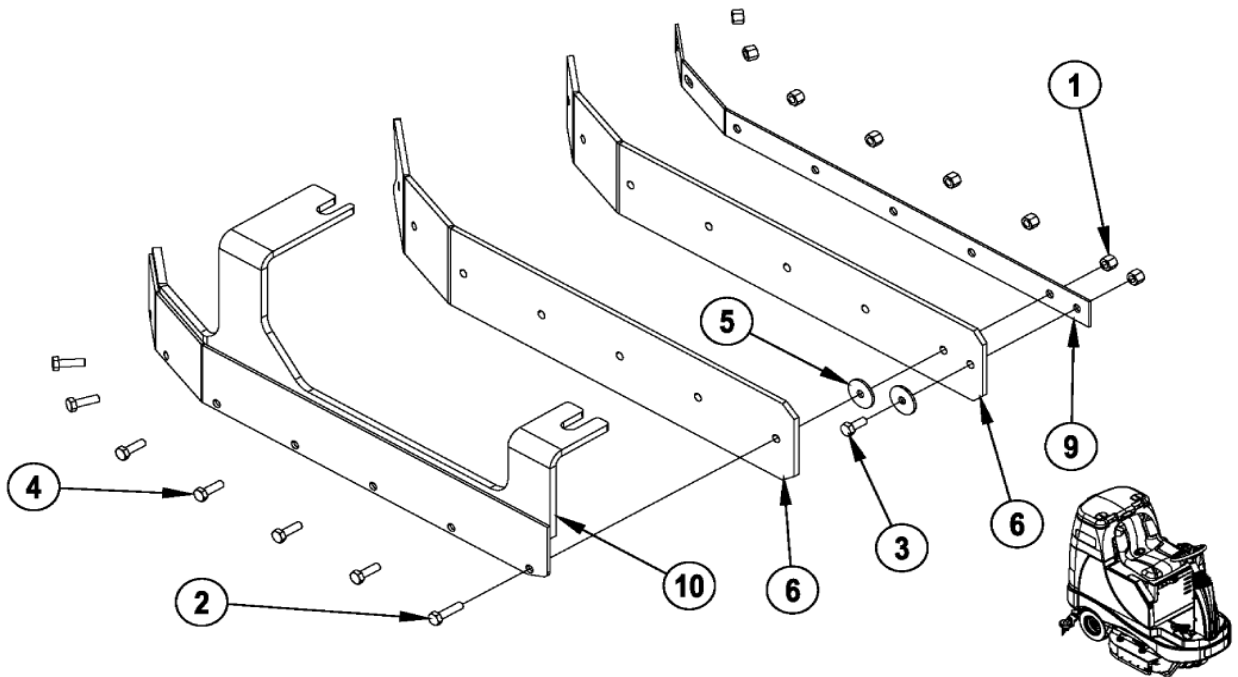
Part List ID
BR75515

19

56601468 - Left Skirt Assy



56601476 - Right Skirt Assy



Scrub system-cylindrical-skirt assemblies

BR 755, BR 855

31-07-2010

Part List ID
BR75515

20

Pos	Part no.	Qty	Description		EAN
	56601468	1	LEFT SKIRT ASSEMBLY	1-8	5711143109
	56601476	1	RIGHT SKIRT ASSEMBLY	1-6, 9, 10	5711144142
1	56003426	8	NUT HEX NYL LOC SS M6		5711144005
2	56003430	1	SCR HEX SS M6 1.00X25MM		5711144005
3	56003431	1	SCR HEX SS M6 1.00X16MM		5711144005
4	56003454	6	SCR HEX THD TO HD SS M6 1X20MM		5711144005
5	56009060	2	WSH FLT SS .260X1.000X.074		5711144007
6	56316194	1	KIT SIDE SKIRT	NOTE 2	5711144061
6	56601538	1	BLADE KIT PU CYL	NOTE 2 - OPTIONAL, NOT INCLUDED	5711143107
6	56601681	1	BLADE KIT LINA TEX CYL	NOTE 2 - OPTIONAL, NOT INCLUDED	5711143108
7	56601464	1	SKIRT BRACKET WELDT	LEFT	5711143106
8	56601467	1	RETAINER SKIRT	LEFT	5711143107
9	56601690	1	RETAINER SKIRT	RIGHT	5711144142
10	56601477	1	SKIRT BRACKET WELDT	RIGHT	5711143107

NOTE 1: Quantities shown for items 1-7 are for one skirt assembly. There are two skirt assemblies on the machine.

NOTE 2: All deck blade kits include all blades necessary.

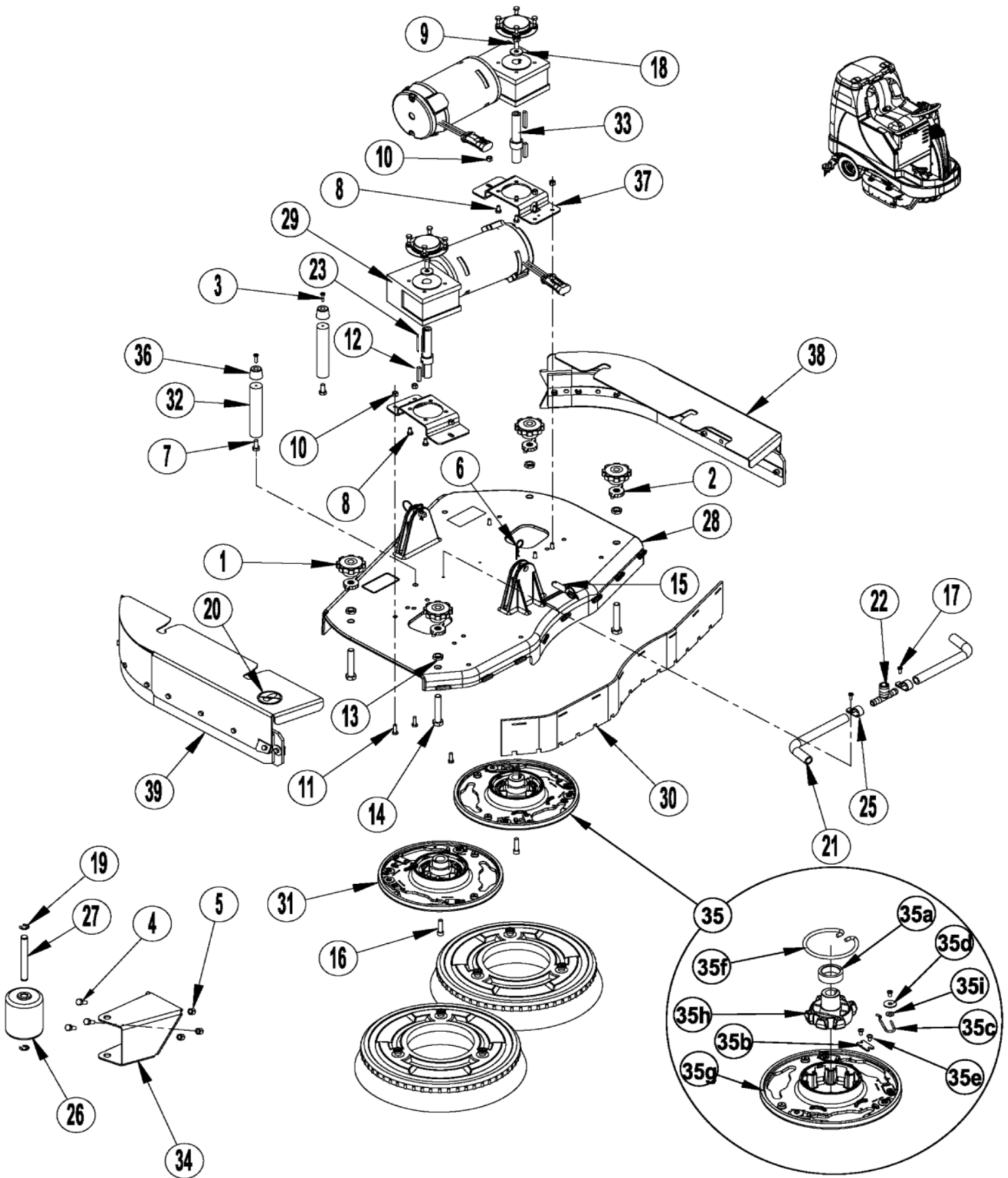
Scrub system-BR 755 disk

BR 755, BR 855

31-07-2010

Part List ID
BR75517

21



Scrub system-BR 755 disk

BR 755, BR 855

31-07-2010

Part List ID
BR75517

22

Pos	Part no.	Qty	Description		EAN
0	56477613	1	CABLE TIE E00549 RE409S		5711144123
0	56601686	2	FERRITE BEAD	NOTE 4	5711144142
0	56601687	1	FERRITE BEAD	NOTE 3	5711144142
1	56407114	4	KNOB	TSBUS2010-1060	5711144081
2	56601578	4	KNOB		5711143108
3	56002192	2	SCR PAN PHIL 10 24 X .75		5711144001
4	56002667	3	SCR HEX 5/16 18 X .75		5711144002
5	56002701	3	NUT HEX NYL LOC 5/16 18		5711144002
6	56002959	2	PIN COT HAIR SS.090XDIA.50/.75		5711144003
7	56003012	2	SCR HEX SS 5/16 18 X .75		5711144003
8	56003211	8	SCR HEX HD SS M6 1.0 X 12MM		5711144004
9	56003335	2	SCR HEX LOC SS 5/16 18 X .88		5711144005
10	56003426	6	NUT HEX NYL LOC SS M6		5711144005
11	56003454	6	SCR HEX THD TO HD SS M6 1X20MM		5711144005
12	56003526	2	KEY SQ .25 X 1.44		5711144006
13	56003657	4	NUT HEX JAM M12 1.75		5711144006
14	56003658	4	SCR THD TO HD SS M12 1.75X70MM		5711144006
15	56003786	2	PIN RING .500 X 1.18		5711144007
16	56003798	2	SCR SOC HD 5/16 18 X 1.25		5711144007
17	56009029	2	SCR PANPHIL THD FORM 10 24X.50		5711144007
18	56009057	2	WSH FLT HDN .344X1.0X.120/.13		5711144007
19	56003264	2	RING RET EXT TYPE E		5711144004
20	56016163	1	DECAL NO STEP		5711144011
21	56266108	2	HOSE SPIRAL .500 9		5711144040
22	56305760	1	TEE BARB 3/4 X 1/2 X 1/2		5711144049
23	56314359	2	KEY 6MM SQUARE		5711144055
25	56328064	2	CLAMP CABLE .75 E00129		5711144064
26	56407006	1	WHEEL ROLLER		5711144081
27	56601580	1	PIN		5711143107
28	56601113	1	SCRUB DECK DISC CAST 28 34		5711143106
29	56314580	1	BALL BEARING OUTPUT SIDE	FAN END - NOT SHOWN	5711144056
29	56601134	2	BRUSH MOTOR AMER	M7 / M8	5711143106
29	56601508	1	PLASTIC COVER	NOT SHOWN	5711143107
29	56601533	1	MOTOVARIO GEARBOX	NOT SHOWN	5711143107
29	56601534	2	CARBON BRUSH	NOT SHOWN	5711143107
29	56601535	1	KEY	NOT SHOWN	5711143107
29	56601536	1	MOTOR FAN	NOT SHOWN	5711143107
29	56601537	1	BALL BEARING OUTPUT SIDE	BRUSH END - NOT SHOWN	5711143107
30	56601248	1	BLADE FRONT 28	NOTE 2	5711143103
30	56601521	1	BLADE FRONT 28	NOTE 2 - OPTIONAL, NOT INCLUDED	5711143109

NOTE 1: Item 31 (56601276) consists of the exact same components as item 35 (56601384).

NOTE 2: All disk deck blade kits include all side skirt blades.

NOTE 3: Installed on main harness.

NOTE 4: Installed on each brush drive motor.

Scrub system-BR 755 disk

BR 755, BR 855

31-07-2010

Part List ID
BR75517

23

Pos	Part no.	Qty	Description	EAN
32	56601289	2	ROD UP STOP	5711143106
33	56601319	2	SHAFT HUB MOUNT	5711143106
34	56601364	1	ROLLER BRKT 28	5711143106
35	56601384	1	BRUSH PLATE ASSEMBLY	5711144142
36	56601388	2	UP STOP MOUNT	5711143106
37	56601389	2	BRACKET MOTOR	5711143106
38	56601541	1	SKIRT ASSEMBLY LT 28	5711144142
39	56601543	1	SKIRT ASSEMBLY RT	5711144142
35A	61658A	1	COLLAR BRUSH DRIVER 26/32 VIS	5711143059
35B	56366455	1	PLATE CV24B	5711144066
35C	56109653	1	SPRING RETAINER	5711144022
35D	56009002	1	WASHER FLAT .266X.906X.060	5711144007
35E	56009247	3	SCR PN PHIL PLASTITE 10 14X.38	5711144008
35F	56601056	1	SPRING BRUSH HOLDER	5711143106
35G	56601118	1	BRUSH PLATE	5711143106
35H	56601520	1	GIMBAL MOTOR	5711143107
35I	56002053	1	WSH FLT STD 10	5711144000

NOTE 1: Item 31 (56601276) consists of the exact same components as item 35 (56601384).

NOTE 2: All disk deck blade kits include all side skirt blades.

NOTE 3: Installed on main harness.

NOTE 4: Installed on each brush drive motor.

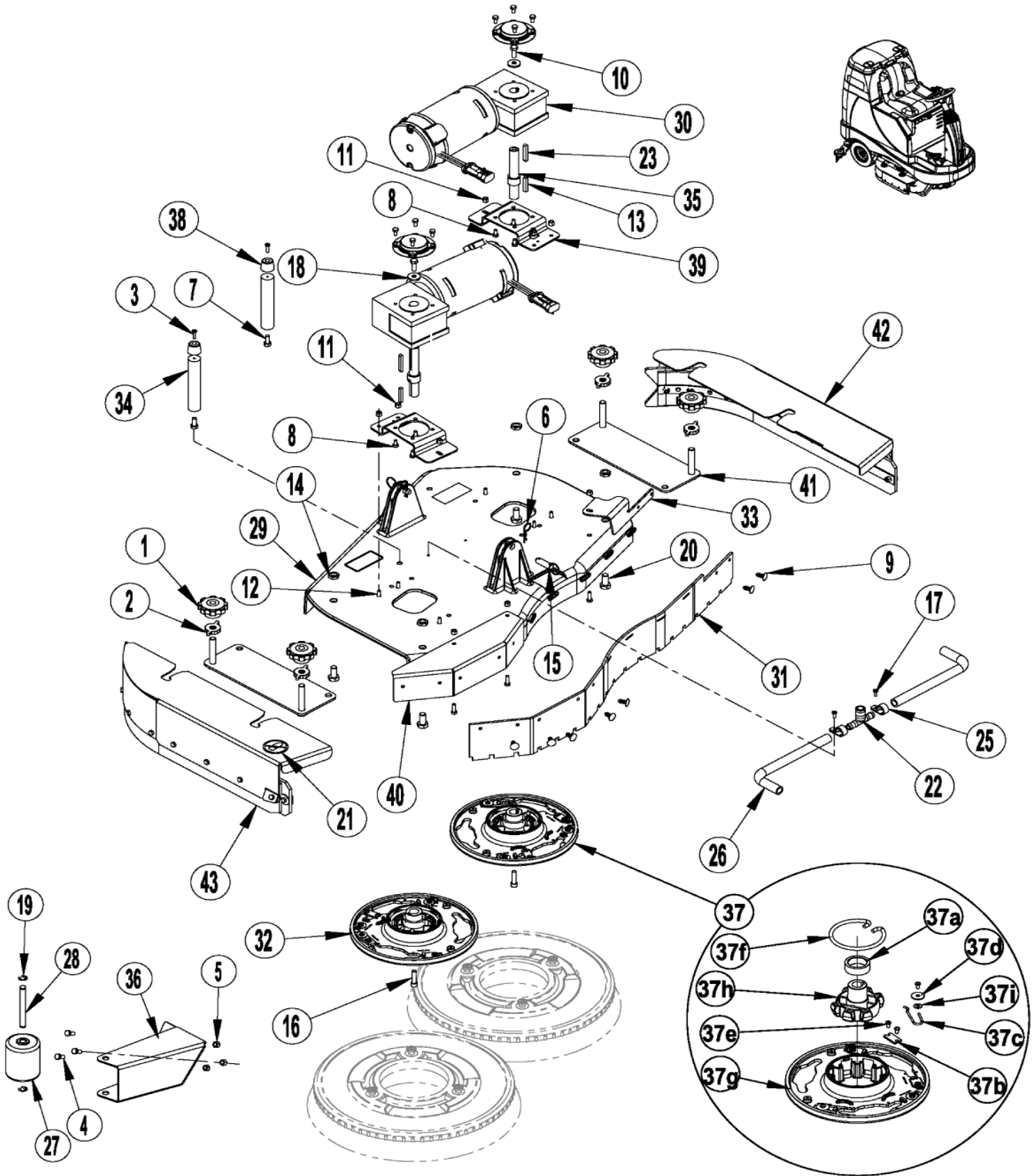
Scrub system-BR 855 disk

BR 755, BR 855

31-07-2010

Part List ID
BR75519

24



Scrub system-BR 855 disk

BR 755, BR 855

31-07-2010

Part List ID
BR75519

25

Pos	Part no.	Qty	Description		EAN
0	56477613	1	CABLE TIE E00549 RE409S	NOT SHOWN	5711144123
0	56601686	2	FERRITE BEAD	NOTE 4 - NOT SHOWN	5711144142
0	56601687	1	FERRITE BEAD	NOTE 3 - NOT SHOWN	5711144142
1	56407114	4	KNOB		5711144081
2	56601578	4	KNOB		5711143108
3	56002192	2	SCR PAN PHIL 10 24 X .75		5711144001
4	56002667	3	SCR HEX 5/16 18 X .75		5711144002
5	56002701	3	NUT HEX NYL LOC 5/16 18		5711144002
6	56002959	2	PIN COT HAIR SS.090XDIA.50/.75		5711144003
7	56003012	2	SCR HEX SS 5/16 18 X .75		5711144003
8	56003211	8	SCR HEX HD SS M6 1.0 X 12MM		5711144004
9	56003263	7	RIVET NYLON TREE PUSH IN.25		5711144004
10	56003335	2	SCR HEX LOC SS 5/16 18 X .88		5711144005
11	56003426	9	NUT HEX NYL LOC SS M6		5711144005
12	56003454	9	SCR HEX THD TO HD SS M6 1X20MM		5711144005
13	56003526	2	KEY SQ .25 X 1.44		5711144006
14	56003657	4	NUT HEX JAM M12 1.75		5711144006
15	56003786	2	PIN RING .500 X 1.18		5711144007
16	56003798	2	SCR SOC HD 5/16 18 X 1.25		5711144007
17	56009029	2	SCR PANPHIL THD FORM 10 24X.50		5711144007
18	56009057	2	WSH FLT HDN .344X1.0X.120/.13		5711144007
19	56003264	2	RING RET EXT TYPE E		5711144004
20	56009119	4	SCR HEXTHD/HDGRM12 1.75 X 25MM		5711144008
21	56016163	1	DECAL NO STEP		5711144011
22	56305760	1	TEE BARB 3/4 X 1/2 X 1/2		5711144049
23	56314359	2	KEY 6MM SQUARE		5711144055
25	56328064	2	CLAMP CABLE .75 E00129		5711144064
26	56387302	2	TUBE PVC .500X11.00 E00604		5711144071
27	56407006	1	WHEEL ROLLER		5711144081
28	56601580	1	PIN		5711143107
29	56601113	1	SCRUB DECK DISC CAST 28 34		5711143106
30	56314580	1	BALL BEARING OUTPUT SIDE	FAN END - NOT SHOWN	5711144056
30	56601134	2	BRUSH MOTOR AMER	M7 / M8	5711143106
30	56601508	1	PLASTIC COVER	NOT SHOWN	5711143107
30	56601533	1	MOTOVARIO GEARBOX		5711143107
30	56601534	2	CARBON BRUSH	NOT SHOWN	5711143107
30	56601535	1	KEY	NOT SHOWN	5711143107
30	56601536	1	MOTOR FAN	NOT SHOWN	5711143107
30	56601537	1	BALL BEARING OUTPUT SIDE	BRUSH END - NOT SHOWN	5711143107
31	56601275	1	BLADE FRONT 34	NOTE 2	5711143103

NOTE 1: Item 32 (56601276) consists of the exact same components as item 37 (56601384).

NOTE 2: All disk deck blade kits include all side skirt blades.

NOTE 3: Installed on main harness.

NOTE 4: Installed on each brush drive motor.

Scrub system-BR 855 disk

BR 755, BR 855

31-07-2010

Part List ID
BR75519

26

Pos	Part no.	Qty	Description	EAN
31	56601522	1	BLADE FRONT 34	5711143109
			NOTE 2 - OPTIONAL, NOT INCLUDED	
33	56601278	1	SKIRT BRACKET FRONT 34	5711143106
34	56601289	2	ROD UP STOP	5711143106
35	56601319	2	SHAFT HUB MOUNT	5711143106
36	56601365	1	ROLLER BRKT 34	5711143106
38	56601388	2	UP STOP MOUNT	5711143106
39	56601389	2	BRACKET MOTOR	5711143106
40	56601452	1	BRUSH COVER	5711143106
41	56601502	2	SIDE SKIRT WELDMENT	5711143103
42	56601542	1	SKIRT ASSEMBLY LT 34	5711143109
43	56601543	1	SKIRT ASSEMBLY RT	5711144142
37A	61658A	1	COLLAR BRUSH DRIVER 26/32 VIS	5711143059
37B	56366455	1	PLATE CV24B	5711144066
37C	56109653	1	SPRING RETAINER	5711144022
37D	56009002	1	WASHER FLAT .266X.906X.060	5711144007
37E	56009247	4	SCR PN PHIL PLASTITE 10 14X.38	5711144008
37F	56601056	1	SPRING BRUSH HOLDER	5711143106
37G	56601118	1	BRUSH PLATE	5711143106
37H	56601520	1	GIMBAL MOTOR	5711143107
37I	56002053	1	WSH FLT STD 10	5711144000

NOTE 1: Item 32 (56601276) consists of the exact same components as item 37 (56601384).

NOTE 2: All disk deck blade kits include all side skirt blades.

NOTE 3: Installed on main harness.

NOTE 4: Installed on each brush drive motor.

Scrub system-disk-skirt assemblies

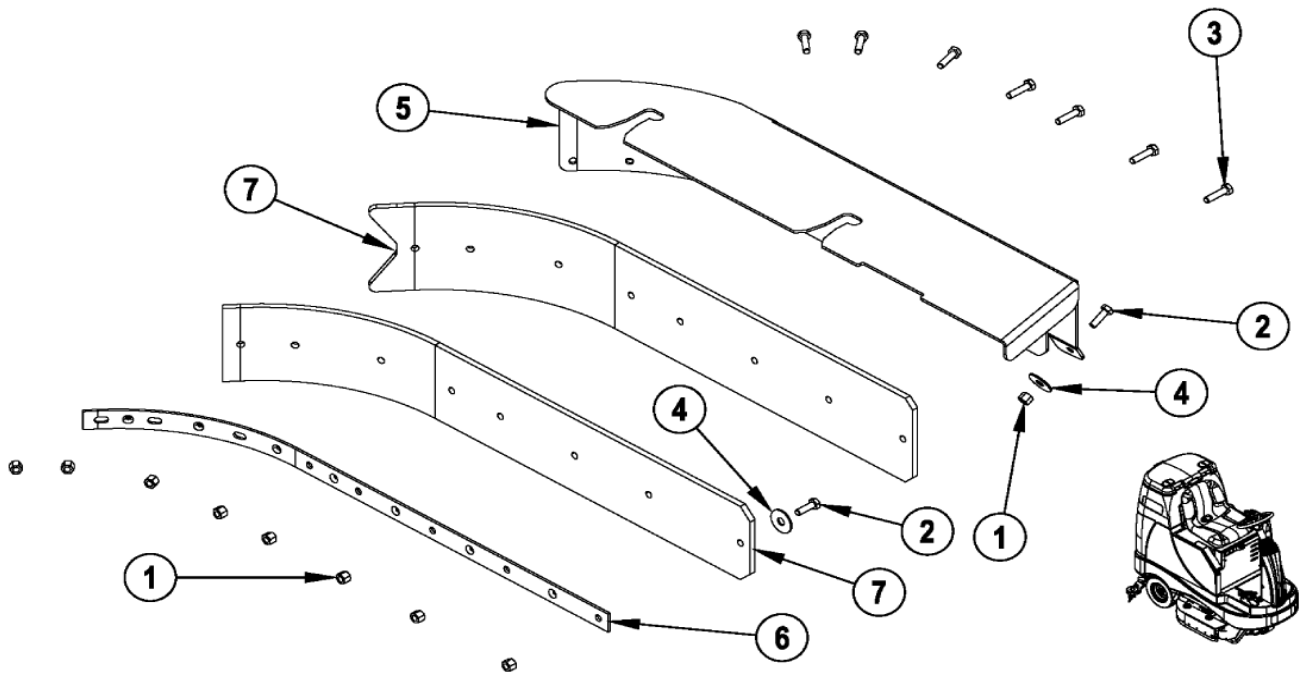
BR 755, BR 855

31-07-2010

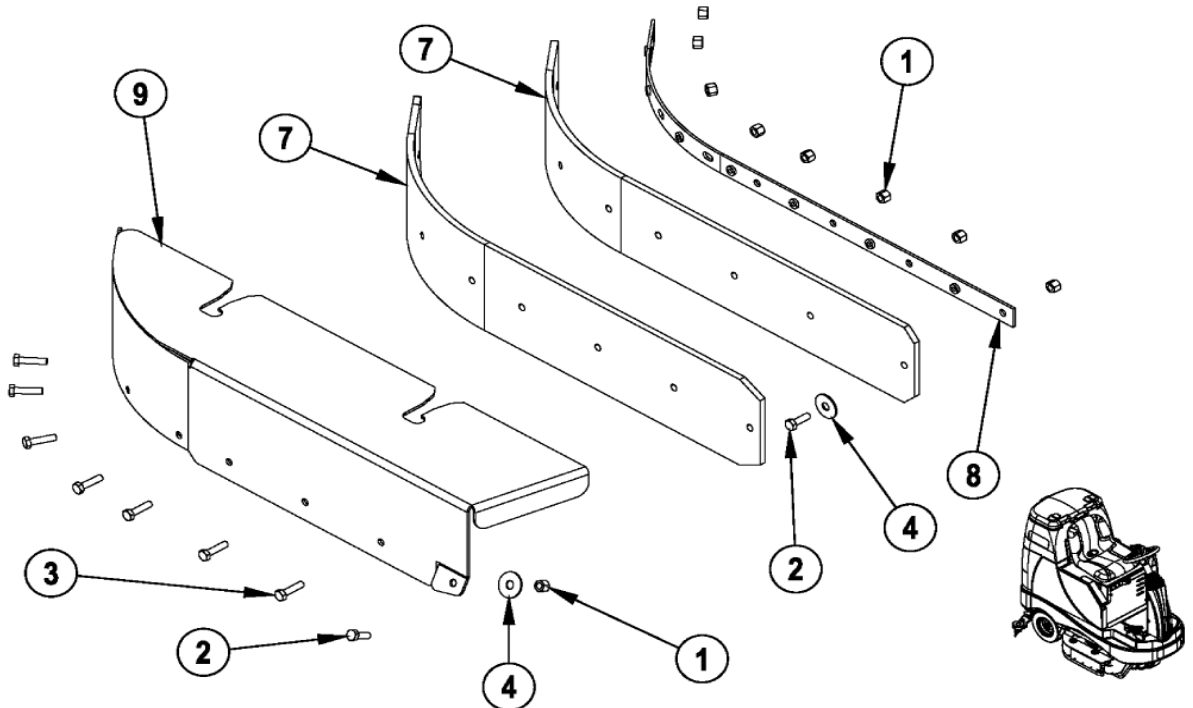
Part List ID
BR75521

27

56601541 (BR 755) / 56601542 (BR 855) - Left Skirt Assy



56601543 - Right Skirt Assy



Scrub system-disk-skirt assemblies

BR 755, BR 855

31-07-2010

Part List ID
BR75521

28

Pos	Part no.	Qty	Description		EAN
	56601541	1	SKIRT ASSEMBLY LT 28	BR 755 / 1-8	5711144142
	56601542	1	SKIRT ASSEMBLY LT 34	BR 855 / 1-8	5711143109
	56601543	1	SKIRT ASSEMBLY RT	ALL MODELS / 1-4, 7, 8, 9, 10	5711144142
1	56003426	9	NUT HEX NYL LOC SS M6		5711144005
2	56003454	2	SCR HEX THD TO HD SS M6 1X20MM		5711144005
3	56003695	7	SCR HEX THD TO HD SS M6 1.0X30MM		5711144006
4	56003696	2	WSH FLAT SS .33 X 1.00 X .060		5711144006
5	56601279	1	FRAME SKIRT LH 28	BR 755 / LEFT - NOT SHOWN	5711143106
5	56601327	1	FRAME SKIRT LH 34	BR 855 / LEFT	5711143106
6	56601315	1	RETAINER SKIRT	BR 755 / LEFT - NOT SHOWN	5711143109
6	56601337	1	RETAINER SKIRT	BR 855 / LEFT	5711143109
7	56601091	1	BLADE KIT PU	NOTE 2 - OPTIONAL, NOT INCLUDED	5711143106
7	56601092	1	BLADE KIT GUM	NOTE 2	5711143106
7	56601678	1	BLADE KIT SIDE SKIRT LINA TEX	NOTE 2 - OPTIONAL, NOT INCLUDED	5711143108
8	56601315	1	RETAINER SKIRT	ALL MODELS / RIGHT	5711143109
9	56601157	1	FRAME SKIRT RH	ALL MODELS / RIGHT	5711143106

NOTE 1: Quantities shown for items 1-4 and 7-8 are for one skirt assembly. There are two skirt assemblies on the machine.

NOTE 2: All disk deck blade kits include all side skirt blades.

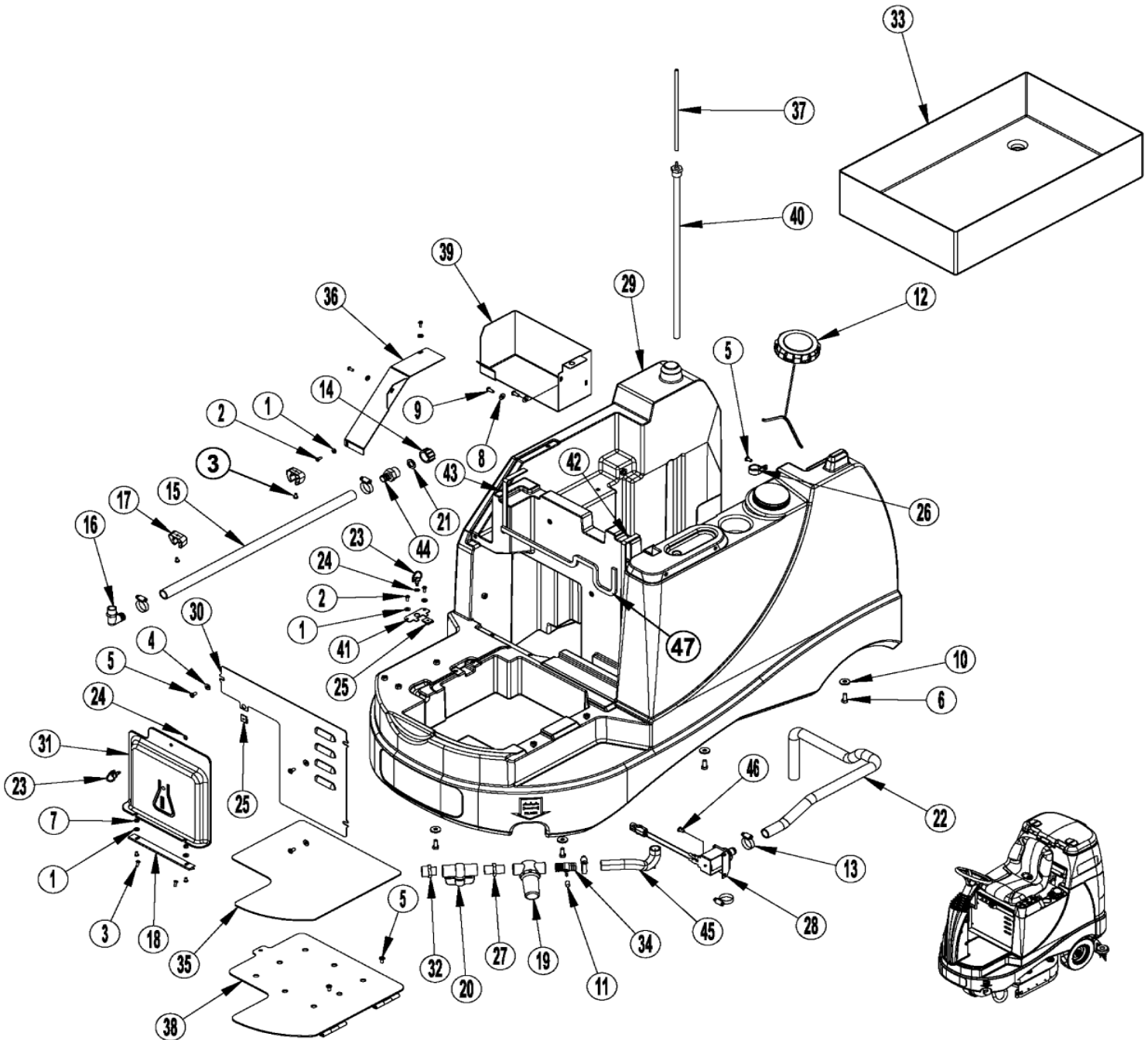
Solution system

BR 755, BR 855

31-07-2010

Part List ID
BR75523

29



Solution system

BR 755, BR 855

31-07-2010

Part List ID
BR75523

30

Pos	Part no.	Qty	Description	EAN
1	56001954	7	WSH FLT SAE 10	5711144000
2	56001993	5	SCREW 10 24 X 0.5 ZINC PL	5711144000
3	56009139	6	SCR PAN PHIL LOC 10 24X.38	5711144008
4	56002098	3	WSH FLT SAE 1/4	5711144000
5	56002145	8	SCR PAN PHIL 1/4 20 X .50	5711144001
6	56002667	4	SCR HEX 5/16 18 X .75	5711144002
7	56002832	2	NUT HEX NYL LOC THIN 10 24	5711144002
8	56002859	2	WSH FLT SAE SS 1/4	5711144002
9	56002989	2	SCR PAN PHIL SS 1/4 20 X .62	5711144003
10	56009122	4	WSH FLT .344X.938X.125	5711144008
11	56051209	1	RUBBER TIP BLACK	5711144016
12	56601599	1	CAP RAW WITH TETHER	5711144142
13	56244969	5	CLAMP HOSE SAE 12 E00047	5711144034
14	56255076	1	CAP PIPE GHT NYLON FA33K	5711144035
15	56261265	1	TUBE E00521	5711144035
16	56314757	1	ELBOW 90BARBMALE1/2 14 .75HOSE	5711144056
17	56601598	1	HOSE CLIP	5711143109
18	56315285	1	HINGE	5711144059
19	56315296	1	SOLUTION FILTER	5711144059
19	56601594	1	KIT SOLUTION FILTER	OPTIONAL, NOT INCLUDED 5711143108
20	56315607	1	BALL VALVE	5711144059
21	56368776	1	WSH FLT RUBBER .625CV80L	5711144067
22	56379139	1	TUBE PVC .750X30 E00521	5711144068
23	56380132	2	FASTENER CR38A	5711144068
24	56380137	2	RETAINER CR38B	5711144068
25	56380141	2	RECEPTACLE CR38C	5711144068
26	56410097	3	CLAMP P	5711144087
27	56412182	1	COUPLING 1/2NPT TO 1/2NPT	5711144091
28	56601064	1	SOLENOID VALVE ASSEMBLY	5711144141
29	56601076	1	SOLUTION TANK	5711143106
30	56601106	1	PANEL	5711143103
31	56601202	1	CHEMICAL BOTTLE COVER	5711143098
32	56601212	1	NIPPLE REDUCER	5711143106
33	56601213	1	BATTERY BOX	5711143106
34	56601236	1	TEE SPECIAL 3/4 X 3/16 X 1/2	5711143106
35	56601246	1	MAT	5711143106
36	56601268	1	PLATE	5711143106
37	56601273	1	HOSE	5711143106
38	56601339	1	CHARGER COVER WELDMENT	5711143106
39	56601398	1	BRACKET	5711143106
40	56601481	1	TUBE PRESSURE SENSING	5711143107
41	56601511	1	PLATE	5711143107

Solution system

BR 755, BR 855

31-07-2010

Part List ID
BR75523

31

Pos	Part no.	Qty	Description	EAN
42	56601569	1	GASKET	5711143107
43	56601570	1	GASKET	5711143107
44	56900273	1	BARB HOSE E00039	5711144145
45	30445A	1	HOSE SOLUTION	5711143012
46	56003039	1	SCR HEX LOC 1/4 20 X .50	5711144003
47	56601685	1	GASKET	5711143109

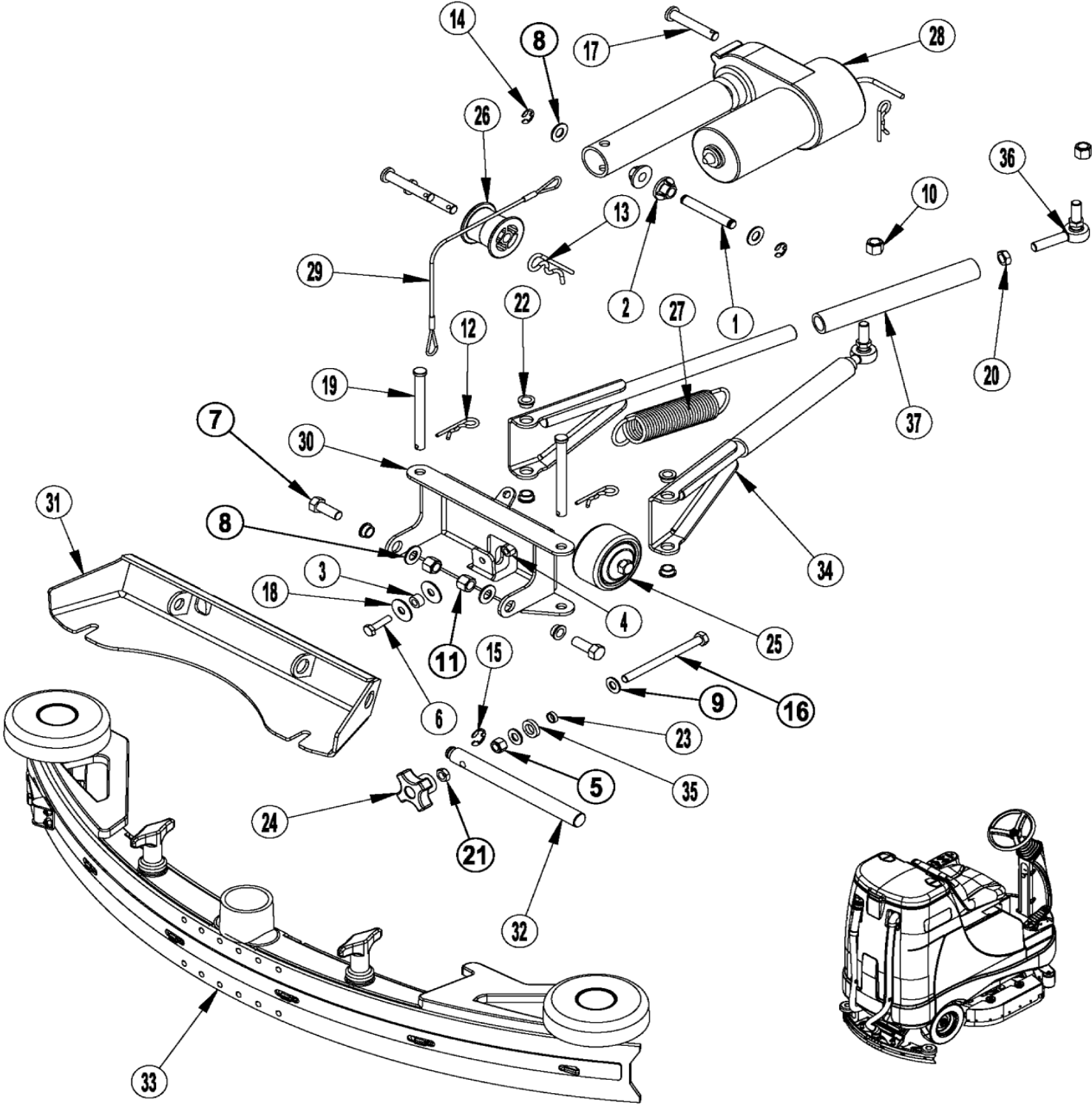
Squeegee system

BR 755, BR 855

31-07-2010

Part List ID
BR75525

32



Squeegee system

BR 755, BR 855

31-07-2010

Part List ID
BR75525

33

Pos	Part no.	Qty	Description	EAN
1	56412088	1	PIN	5711144091
2	56412248	2	SPACER	5711144092
3	56453691	1	SPACER	5711144109
4	56002491	1	NUT HEX NYL LOC SS 1/4 20	5711144001
5	56002856	1	NUT HEX NYL LOC SS 5/16 18	5711144002
6	56002883	1	SCR HEX SS 1/4 20 X 1.00	5711144002
7	56002886	2	SCR HEX SS 3/8 16 X 1.00	5711144003
8	56002910	4	WSH FLT SAE SS 3/8	5711144003
9	56002938	2	WSH FLT SAE SS 5/16	5711144003
10	56002951	2	NUT HEX NYL LOC 3/8 24	5711144003
11	56003219	2	NUT HEX NYL LOC SS 3/8 16	5711144004
12	56003222	3	PIN COT HAIR .125 X DIA.50/.75	5711144004
13	56003223	1	PIN COT HAIR.148 X DIA.62/1.00	5711144004
14	56003262	2	RING RET EXT TYPE E	5711144004
15	56003264	1	RING RET EXT TYPE E	5711144004
16	56003486	1	HEX THD TO HD SS 5/16 18X4.00	5711144006
17	56003656	3	CLEVIS PIN .375 X 2.25	5711144006
18	56003696	2	WSH FLAT SS .33 X 1.00 X .060	5711144006
19	56003713	2	PIN CLEVIS .38 X 3.75	5711144006
20	56009103	2	NUT HEX JAM 3/8 24	5711144008
21	56009141	1	NUT HEX JAM SS 5/16 18	5711144008
22	56324505	6	BEARING FLANGE.376E00201	5711144064
23	56381818	1	BUSHING .32X.44X.14	5711144070
24	56407303	1	KNOB	5711144082
25	56412124	1	WHEEL	5711144091
26	56412208	1	ROLLER	5711144092
27	56412216	1	SPRING EXTENSION	5711144092
28	56601147	1	ACTUATOR MOTOR 24V	M3 5711143106
29	56601257	1	CABLE ASSEMBLY	5711143106
30	56601436	1	SQUEEGEE PIVOT BRACKET WELDT	5711143106
31	56601438	1	SQUEEGEE MOUNT BRACKET WELDT	5711143106
32	56601442	1	SHAFT	5711143106
33	56601449	1	SQUEEGEE ASSEMBLY	BR 755 - Includes Gum Rubber Blades 5711144142
33	56601454	1	SQUEEGEE ASSEMBLY	BR 855 - Includes Gum Rubber Blades 5711144142
34	56601460	2	BAR WELDMENT	5711143106
35	56601463	1	WASHER POLYURETHANE	5711143106
36	56601469	2	ROD END	5711143103
37	56601512	2	HOSE	5711143107

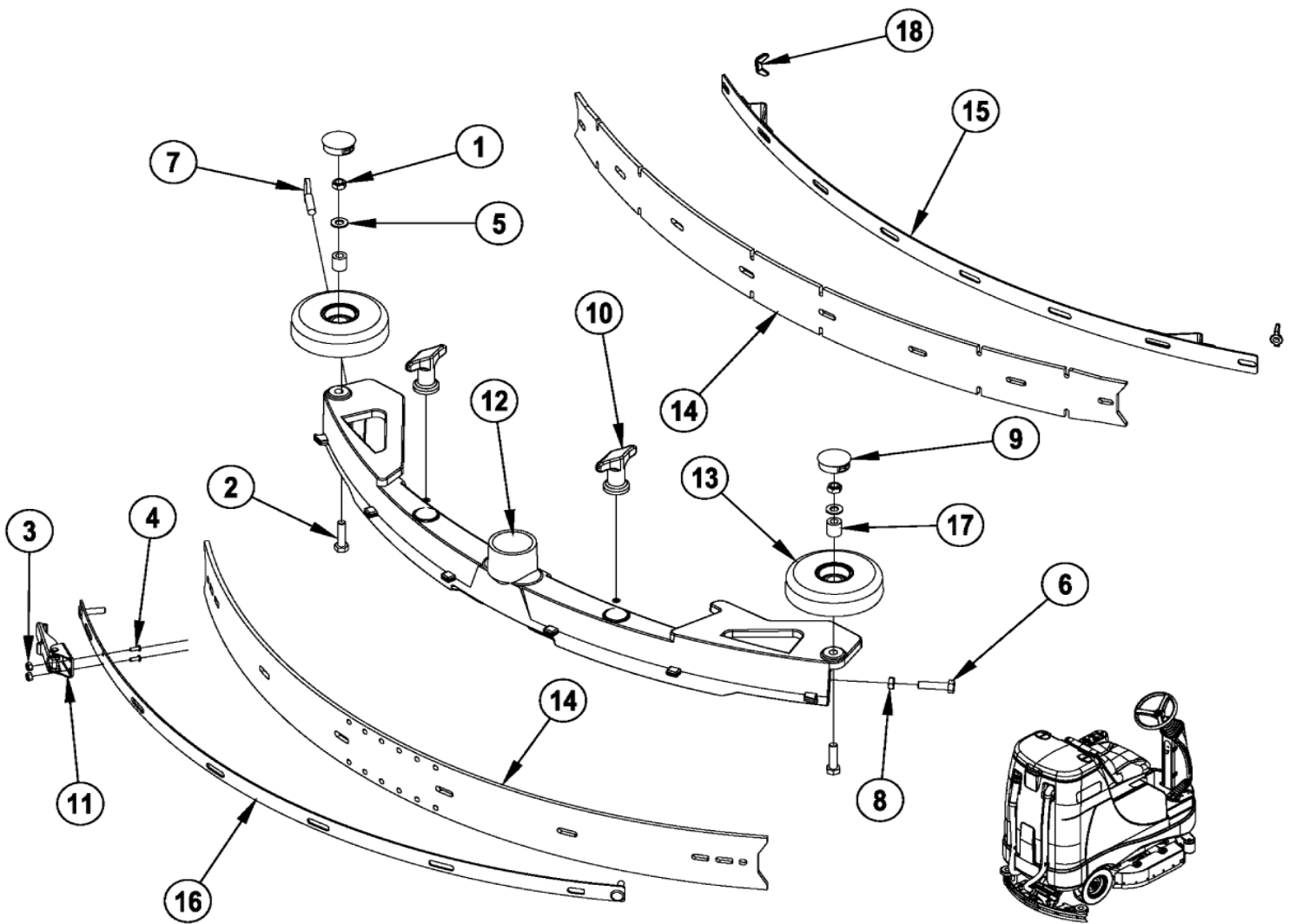
Squeegee assembly - BR 755

BR 755, BR 855

31-07-2010

Part List ID
BR75526

34



Squeegee assembly - BR 755

BR 755, BR 855

31-07-2010

Part List ID
BR75526

35

Pos	Part no.	Qty	Description		EAN
0	56601449	1	SQUEEGEE ASSEMBLY	BR 755 - Includes Gum Rubber Blades	5711144142
1	56002851	2	NUT HEX NYL LOC THIN SS5/16 18		5711144002
2	56002884	2	SCR HEX SS 5/16 18 X 1.25		5711144002
3	56002907	2	NUT HEX NYL LOC SS 6 32		5711144003
4	56002909	2	SCR PAN PHIL SS 6 32 X .38		5711144003
5	56002938	2	WSH FLT SAE SS 5/16		5711144003
6	56003302	1	SCR HEX THD/HD SS 5/16 18X1.25		5711144005
7	56003792	1	SCR THUMB SS 5/16 18 X 1.25		5711144007
8	56009141	1	NUT HEX JAM SS 5/16 18		5711144008
9	56111444	2	BUTTON PLUG 1.25		5711144026
10	56370711	2	NUT THUMB		5711144067
11	56471194	1	LATCH ASSY RE32		5711144123
12		1	NOTE COMMENT	SQUEEGEE CASTING - BR 755, NOTE 2	5701715456
13	56601450	2	WHEEL 4.00 OD		5711143106
14	56601083	1	BLADE KIT SQUEEGEE LINATEX	BR 755 - NOTE 1, NOT SHOWN	5711143108
14	56601529	1	BLADE KIT SQUEEGEE PU 28	BR 755 - NOTE 1, NOT SHOWN	5711143107
14	56601531	1	BLADE KIT SQUEEGEE GUM 28	BR 755 - NOTE 1	5711143107
15	56601489	1	FRONT STRAP WELDMENT	BR 755	5711143107
16	56601490	1	STRAP REAR	BR 755 - NOTE 4	5711143107
16	56601591	1	WELDMENT REAR STRAP	BR 755 - NOTE 3	5711143108
17	56601499	2	BUSHING NYLON		5711143107
18	56009111	2	NUT WING S.S. 1/4 20	NOTE 3	5711144008

NOTE 1: All squeegee blade kits include both front and rear squeegee blades.

NOTE 2: The squeegee casting is not available for sale separately. If you need to replace your squeegee casting please order a new Squeegee Assembly part number 56601449.

NOTE 3: TSBUS2009-1041 - Only used before SN 3000023100.

NOTE 4: TSBUS2009-1041 - Only used after SN 3000023099.

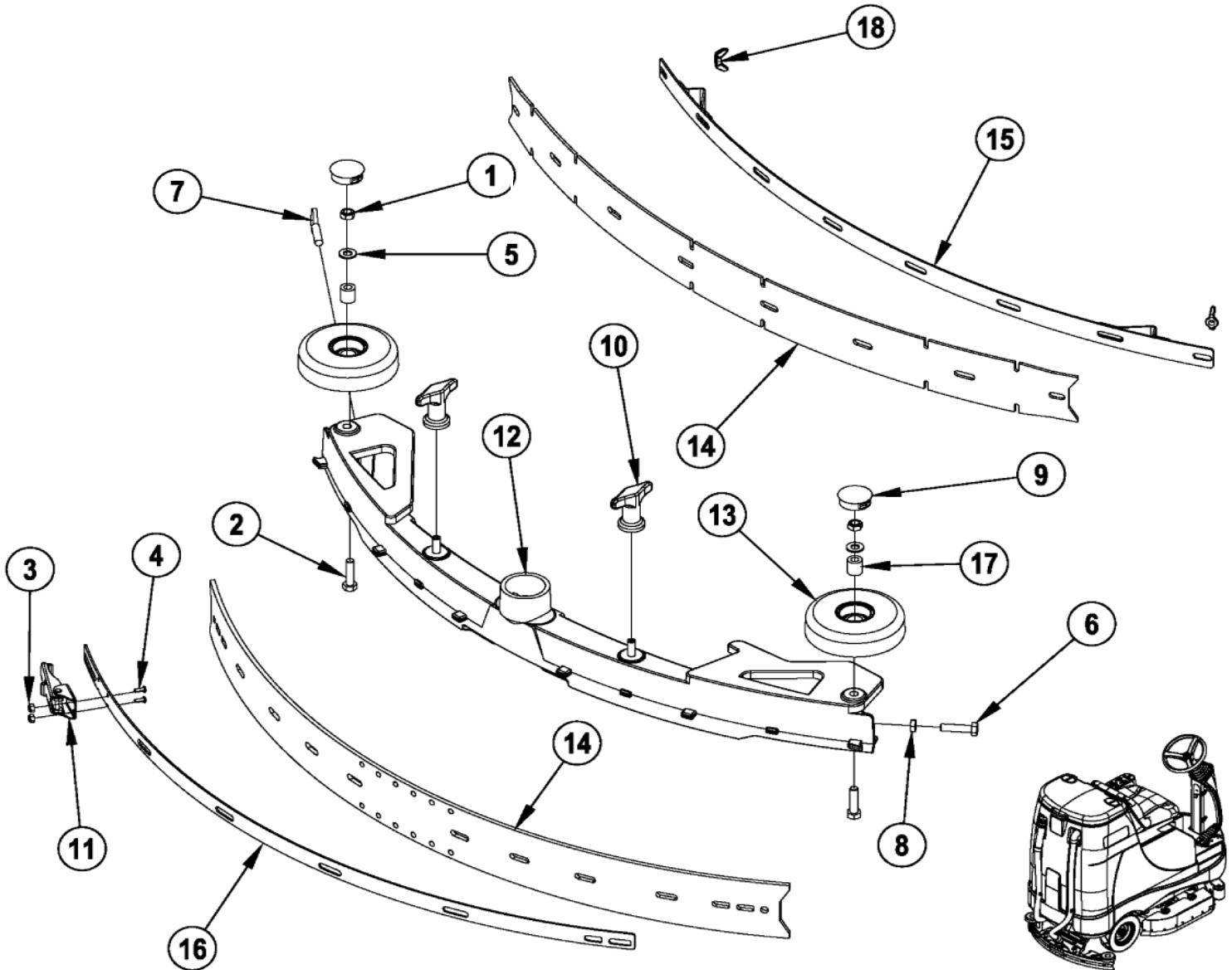
Squeegee assembly - BR 855

BR 755, BR 855

31-07-2010

Part List ID
BR75527

36



Squeegee assembly - BR 855

BR 755, BR 855

31-07-2010

Part List ID
BR75527

37

Pos	Part no.	Qty	Description	EAN
0	56601454	1	SQUEEGEE ASSEMBLY BR 855 - Includes Gum Rubber Blades	5711144142
1	56002851	2	NUT HEX NYL LOC THIN SS5/16 18	5711144002
2	56002884	2	SCR HEX SS 5/16 18 X 1.25	5711144002
3	56002907	2	NUT HEX NYL LOC SS 6 32	5711144003
4	56002909	2	SCR PAN PHIL SS 6 32 X .38	5711144003
5	56002938	2	WSH FLT SAE SS 5/16	5711144003
6	56003302	1	SCR HEX THD/HD SS 5/16 18X1.25	5711144005
7	56003792	1	SCR THUMB SS 5/16 18 X 1.25	5711144007
8	56009141	1	NUT HEX JAM SS 5/16 18	5711144008
9	56111444	2	BUTTON PLUG 1.25	5711144026
10	56370711	2	NUT THUMB	5711144067
11	56471194	1	LATCH ASSY RE32	5711144123
12		1	NOTE COMMENT SQUEEGEE CASTING - BR 855, NOTE2	5701715456
13	56601450	2	WHEEL 4.00 OD	5711143106
14	56601094	1	BLADE KIT SQUEEGEE LINATEX BR 855 - NOTE 1, NOT SHOWN	5711143108
14	56601530	1	BLADE KIT SQUEEGEE PU 34 BR 855 - NOTE 1, NOT SHOWN	5711143107
14	56601532	1	BLADE KIT SQUEEGEE GUM 34 BR 855 - NOTE 1	5711143107
15	56601495	1	FRONT STRAP WELDMENT BR 855	5711143107
16	56601496	1	STRAP REAR BR 855 - NOTE 4	5711143107
16	56601593	1	WELDMENT REAR STRAP BR 855 - NOTE 3	5711143108
17	56601499	2	BUSHING NYLON	5711143107
18	56009111	2	NUT WING S.S. 1/4 20 NOTE 3	5711144008

NOTE 1: All squeegee blade kits include both front and rear squeegee blades.

NOTE 2: The squeegee casting is not available for sale separately. If you need to replace your squeegee casting please order a new Squeegee Assembly part number 56601454.

NOTE 3: TSBUS2009-1041 - Only used before SN 300006847.

NOTE 4: TSBUS2009-1041 - Only used after SN 300006846.

Wiring diagram

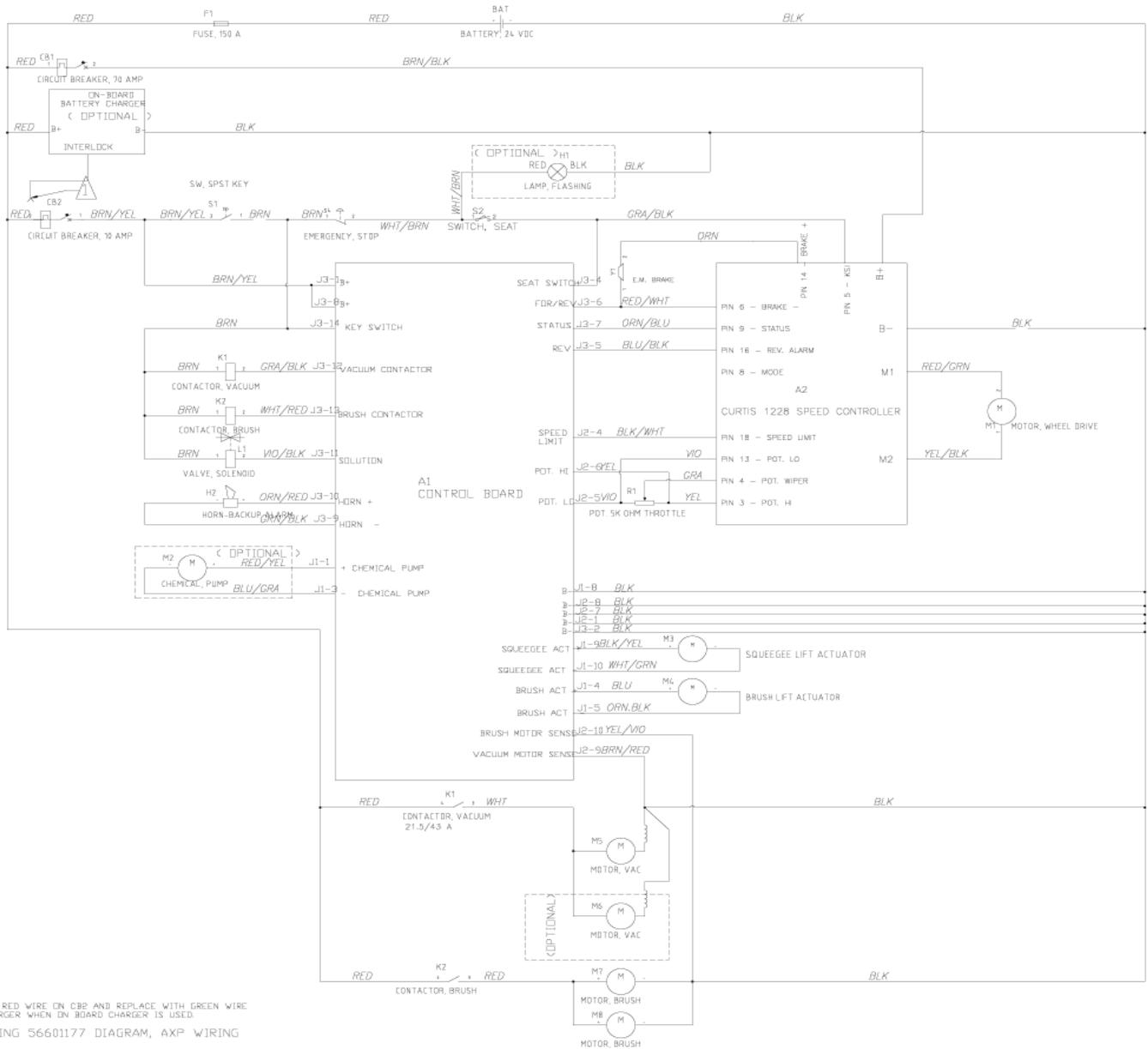
BR 755, BR 855

31-07-2010

Part List ID

BR75529

38



NOTES:
 ⚠ DISCONNECT RED WIRE ON CBP AND REPLACE WITH GREEN WIRE FROM CHARGER WHEN ON BOARD CHARGER IS USED.
 REF DRAWING 56601177 DIAGRAM, AXP WIRING

Wiring diagram

BR 755, BR 855

31-07-2010

Part List ID
BR75529

39

Pos	Part no.	Qty	Description	EAN
A 1	56601565	1	INTERFACE PANEL	5711143107
A 2	56601061	1	SPEED CONTROL	5711143106
F 1	56412089	1	FUSE 150 AMP	5711144091
H 1	56307166	1	BEACON ASSEMBLY	OPTIONAL 5711144052
H 2	56412177	1	HORN BACKUP ALARM	5711144091
K 1	56601183	1	CONTACTOR 24V 100 AMP	5711143098
K 2	56601184	1	CONTACTOR 24V 200 AMP	5711143106
L 1	56601064	1	SOLENOID VALVE ASSEMBLY	5711144141
M 1	56601050	1	MOTOR DRIVE WHEEL	5711143106
M 2	56315241	1	PUMP CHEMICAL	5711144058
M 3	56601147	1	ACTUATOR MOTOR 24V	5711143106
M 4	56601432	1	LIFT ACTUATOR ASSEMBLY	5711144142
M 5	56601488	1	VAC MOTOR W/SUPPRESSION	5711143107
M 6	56601488	1	VAC MOTOR W/SUPPRESSION	OPTIONAL 5711143107
M 7	56315061	1	MOTOR 24VDC .5HP 1800RPM	CYLINDRICAL 5711144058
M 7	56601134	2	BRUSH MOTOR AMER	DISK 5711143106
M 8	56315061	1	MOTOR 24VDC .5HP 1800RPM	CYLINDRICAL 5711144058
M 8	56601134	2	BRUSH MOTOR AMER	DISK 5711143106
R 1		1	NOTE COMMENT	PART OF 56601052, NOT AVAILABLE 5701715456
S 1	56303526	1	KEY REPLACEMENT SET OF 2	OPTIONAL, NOT INCLUDED 5711144043
S 1	56303553	1	KEY SWITCH ASSEMBLY	5711144043
S 2	7-82-00050	1	SWITCH SEAT	5711144181
S 4	56407130	1	DISCONNECT EMERGENCY	5711144081
Y 1	56315124	1	CHARGER ONBOARD 24V	TSBUS2008-984 5711144058
Y 1	56601507	1	PARKING BRAKE	5711143107
BAT		1	NOTE COMMENT	BATTERY, NOT AVAILABLE 5701715456
CB 1	56454429	1	CIRCUIT BREAKER 70A	5711144110
CB 2	56507644	1	CIRCUIT BREAKER 10 AMP	5711144132

Optional kits and accessories

BR 755, BR 855

31-07-2010

Part List ID
BR75530

40

Item	Ref. No.	Qty	Description	Item	Ref. No.	Qty	Description
Kits				BA 755 Disk Scrub Brushes (See Brush Selector Guide)			
*	56397453	1	Kit-Battery Fill Indicator	*	56505800	2	Short Trim Pad Holder
*	7-03-04249	1	Kit-Seat Armrests	*	56505195	2	Pad Retainer for 56505750
*	56601085	1	Kit-Warning Beacon	*	56505805	2	ProLite
*	56601087	1	Kit-Vacuum Wand With Caddy	*	56505804	2	Prolene
*	56422162	1	Kit-Seat Belt	*	56505806	2	Union Mix
*	56601090	1	Kit-Dual Vac Motor Eu	*	56505803	2	AgLite Grit 500
*	56601080	1	Kit-Onboard Charger TSBUS2008-984	*	56505807	2	MidGrit 240
*	56601527	1	Battery Watering Kit	*	56505808	2	MidLite Grit 180
*	56315732	1	Quiq Programmer Kit	*	56505802	2	Dyna Grit 80
*	56601082	1	Kit-EcoOil ex Onboard Chemical	*	56505801	2	Magna Grit 46
*	56601546	A/R	Kit-BR 755 Disk Deck	BA 855 Disk Scrub Brushes (See Brush Selector Guide)			
*	56601547	A/R	Kit-BR 855 Disk Deck	*	56505780	2	Short Trim Pad Holder
*	56601548	A/R	Kit-BR 755 Cylindrical Deck	*	56505195	2	Pad Retainer for 56505750
Replacement parts for the kits listed above can be found on each kit's associated instruction sheet.				*	56505785	2	ProLite
BR 755 Squeegee Blade Kits				*	56505784	2	Prolene
	56601531	1	Blade Kit-Squeegee-Standard NOTE 1	*	56505786	2	Union Mix
*	56601529	1	Blade Kit-Squeegee-Polyurethane NOTE 1	*	56505783	2	AgLite Grit 500
*	56601083	1	Blade Kit-Squeegee-Red Gum NOTE 1	*	56505787	2	MidGrit 240
BR 855 Squeegee Blade Kits				*	56505788	2	MidLite Grit 180
	56601532	1	Blade Kit-Squeegee-Standard NOTE 1	*	56505782	2	Dyna Grit 80
*	56601530	1	Blade Kit-Squeegee-Polyurethane NOTE 1	*	56505781	2	Magna Grit 46
*	56601094	1	Blade Kit-Squeegee-Red Gum NOTE 1	BA 755 Cylindrical Scrub Brushes (See Brush Selector Guide)			
Disk Deck Blade Kits				*	56412191	2	Soft Nylon
	56601092	1	Blade Kit-Gum NOTE 2	*	56412192	2	Hard Nylon
*	56601091	1	Blade Kit-PU NOTE 2	*	56412046	2	Prolene
*	56601678	1	Blade Kit-Red Gum NOTE 2	*	56412193	2	MidLite Grit 180
Cylindrical Deck Blade Kits				*	56412194	2	Dyna Grit 80
	56316194	1	Blade Kit-Gum NOTE 3	*	56412195	2	Magna Grit 46
*	56601538	1	Blade Kit-PU NOTE 3	* = Optional, Not Included			
*	56601681	1	Blade Kit-Red Gum NOTE 3	# = Revised or new since last update			
Optional Batteries				NOTE 1: All squeegee blade kits include both front and rear squeegee blades.			
*	80561311	1	Battery-24V-360A/H Wet	NOTE 2: All disk deck blade kits include all side skirt blades.			
*	L00290016	1	Battery-24V-320A/H Wet	NOTE 3: All cylindrical deck blade kits include all blades necessary.			
*	80561411	1	Battery-24V-320A/H GEL				
*	L00210015	1	Battery-24V-280A/H GEL				
*	7116015	4	Battery-6V-284A/H Wet				
*	80564100	4	Battery-6V-240A/H GEL				
Optional Battery Chargers							
*	80568800	A/R	Battery Charger-24VDC-Auto-30Amp-EU				
*	80568900	A/R	Battery Charger-24VDC-Auto-30Amp-UK				
Accessories							
*	56409441	A/R	Programmer, 1311 User				
*	56409823	A/R	Programmer Cable				
*#			DELETED				

Optional kits and accessories

BR 755, BR 855

31-07-2010

Part List ID
BR75530

41

Pos	Part no.	Qty	Description		EAN
1	56397453	1	INDICATOR BATTERY LEVEL	KIT	5711144080
2	7-03-04249	1	ARM REST LH & RH	KIT	5711144162
3	56601085	1	KIT BEACON	KIT	5711143106
4	56601087	1	KIT VACUUM WAND WITH CADDY	KIT	5711143106
5	56422162	1	KIT SEAT BELT	KIT	5711144107
6	56601090	1	KIT DUAL VAC EU	KIT	5711143106
7	56601080	1	KIT ON BOARD CHARGER EUROPE	KIT - TSBUS2008-984	5711143106
8	56601527	1	KIT BATTERY WATERING	KIT	5711143107
9	56315732	1	QUIQ PROGRAMMER KIT	KIT	5711144060
10	56601082	1	ECOFLEX CHEMICAL KIT EU	KIT	5711143107
11	56601546	1	KIT 28 DISK DECK ASSY	KIT	5711143107
12	56601547	1	KIT 34 DISK DECK ASSY	KIT	5711143107
13	56601548	1	KIT 28 CYLINDRICAL DECK ASSY	KIT	5711143107
20	56601531	1	BLADE KIT SQUEEGEE GUM 28	BR 755 SQUEEGEE BLADE KIT - NOTE 1	5711143107
21	56601529	1	BLADE KIT SQUEEGEE PU 28	BR 755 SQUEEGEE BLADE KIT - NOTE 1	5711143107
22	56601083	1	BLADE KIT SQUEEGEE LINA TEX	BR 755 SQUEEGEE BLADE KIT - NOTE 1	5711143108
30	56601532	1	BLADE KIT SQUEEGEE GUM 34	BR 755 SQUEEGEE BLADE KIT - NOTE 1	5711143107
31	56601530	1	BLADE KIT SQUEEGEE PU 34	BR 755 SQUEEGEE BLADE KIT - NOTE 1	5711143107
32	56601094	1	BLADE KIT SQUEEGEE LINA TEX	BR 755 SQUEEGEE BLADE KIT - NOTE 1	5711143108
40	56601092	1	BLADE KIT GUM	DISK DECK BLADE KIT - NOTE 2	5711143106
41	56601091	1	BLADE KIT PU	DISK DECK BLADE KIT - NOTE 2	5711143106
42	56601678	1	BLADE KIT SIDE SKIRT LINA TEX	DISK DECK BLADE KIT - NOTE 2	5711143108
50	56316194	1	KIT SIDE SKIRT	CYLINDRICAL DECK BLADE KIT - NOTE 3	5711144061
51	56601538	1	BLADE KIT PU CYL	CYLINDRICAL DECK BLADE KIT - NOTE 3	5711143107
52	56601681	1	BLADE KIT LINA TEX CYL	CYLINDRICAL DECK BLADE KIT - NOTE 3	5711143108
60	80561311	1	BATT.24V-360AH WET IN TRAY WITH AQUAMATI	OPTIONAL BATTERIES	
61	L00290016	1	BATT.24V-320AH WET TRAY WITH AQUAMATIC	OPTIONAL BATTERIES	
62	80561411	1	BATT.24V-320AH GEL SINGLE CELLS IN TRAY	OPTIONAL BATTERIES	
63	L00210015	1	BATT.24V-280AH GEL SINGLE CELLS IN TRAY	OPTIONAL BATTERIES	
64	7116015	4	BATT. 6V-285AH WET SEMI T MONOBLOC	OPTIONAL BATTERIES	5701715221
65	80564100	4	BATT. 6V-240AH GEL MONOBLOC	OPTIONAL BATTERIES	
70	80568800	1	CHARGER 24V-30A HF/CPL-EU-SB175R	OPTIONAL BATTERY CHARGERS	
71	80568900	1	CHARGER 24V-30A HF/CPL-UK-SB175R	OPTIONAL BATTERY CHARGERS	
80	56409441	1	PROGRAMMER 1311NP USER	ACCESSORIES	5711144084
81	56409823	1	PROGRAMMER CABLE	ACCESSORIES	5711144086
90	56505800	2	PAD HOLDER 14 3 LUG	BR 755 DISK SCRUB BRUSH	5711144129
91	56505195	2	PAD RETAINER	BR 755 DISK SCRUB BRUSH - FOR 56505750	5711144128
92	56505805	2	DISC BRUSH 14 PROLITE 3 LUG	BR 755 DISK SCRUB BRUSH	5711144129
93	56505804	2	DISC BRUSH 14 PROLENE 3 LUG	BR 755 DISK SCRUB BRUSH	5711144129

NOTE 1: All squeegee blade kits include both front and rear squeegee blades.

NOTE 2: All disk deck blade kits include all side skirt blades.

NOTE 3: All cylindrical deck blade kits include all blades necessary.

All parts is Optional, Not included

Replacement parts for the kits pos. 1-13, can be found on each kit's associated instruction sheet.

Optional kits and accessories

BR 755, BR 855

31-07-2010

Part List ID

BR75530

42

Pos	Part no.	Qty	Description		EAN
94	56505806	2	DISC BRUSH 14 UNION MIX 3 LUG	BR 755 DISK SCRUB BRUSH	5711144129
95	56505803	2	DISC BRUSH 14 AGLITE 3 LUG	BR 755 DISK SCRUB BRUSH	5711144129
96	56505807	2	DISC BRUSH 14 MIDGRIT 3 LUG	BR 755 DISK SCRUB BRUSH	5711144129
97	56505808	2	DISC BRUSH 14 MIDLITE 3 LUG	BR 755 DISK SCRUB BRUSH	5711144129
98	56505802	2	DISC BRUSH 14 DYNAGRIT 3 LUG	BR 755 DISK SCRUB BRUSH	5711144129
99	56505801	2	DISC BRUSH 14 MAGNAGRIT 3 LUG	BR 755 DISK SCRUB BRUSH	5711144129
100	56505780	2	PAD HOLDER 17 3 LUG	BR 855 DISK SCRUB BRUSH	5711144128
101	56505195	2	PAD RETAINER	BR 855 DISK SCRUB BRUSH - FOR 56505750	5711144128
102	56505785	2	DISC BRUSH 17 PROLITE 3 LUG	BR 855 DISK SCRUB BRUSH	5711144128
103	56505784	2	DISC BRUSH 17 PROLENE 3 LUG	BR 855 DISK SCRUB BRUSH	5711144128
104	56505786	2	DISC BRUSH 17 UNION MIX 3 LUG	BR 855 DISK SCRUB BRUSH	5711144128
105	56505783	2	DISC BRUSH 17 AGLITE 3 LUG	BR 855 DISK SCRUB BRUSH	5711144128
106	56505787	2	DISC BRUSH 17 MIDGRIT 3 LUG	BR 855 DISK SCRUB BRUSH	5711144128
107	56505788	2	DISC BRUSH 17 MIDLITE 3 LUG	BR 855 DISK SCRUB BRUSH	5711144128
108	56505782	2	DISC BRUSH 17 DYNAGRIT 3 LUG	BR 855 DISK SCRUB BRUSH	5711144128
109	56505781	2	DISC BRUSH 17 MAGNAGRIT 3 LUG	BR 855 DISK SCRUB BRUSH	5711144128
110	56412191	2	BRUSH SOFT NYLON 28 YELLOW	BR 755 CYLINDRICAL SCRUB BRUSH	5711144091
111	56412192	2	BRUSH HARD NYLON 28 NATURAL	BR 755 CYLINDRICAL SCRUB BRUSH	5711144091
112	56412046	2	BRUSH POLYPROPYLENE 28 RED	BR 755 CYLINDRICAL SCRUB BRUSH	5711144091
113	56412193	2	BRUSH 180 GRIT 28 BLUE/GREY	BR 755 CYLINDRICAL SCRUB BRUSH	5711144091
114	56412194	2	BRUSH 80 GRIT 28 BLACK	BR 755 CYLINDRICAL SCRUB BRUSH	5711144091
115	56412195	2	BRUSH 46 GRIT 28 ORANG/BROWN	BR 755 CYLINDRICAL SCRUB BRUSH	5711144091

NOTE 1: All squeegee blade kits include both front and rear squeegee blades.

NOTE 2: All disk deck blade kits include all side skirt blades.

NOTE 3: All cylindrical deck blade kits include all blades necessary.

All parts is Optional, Not included

Replacement parts for the kits pos. 1-13, can be found on each kit's associated instruction sheet.

Brush selector guide-disk

BR 755, BR 855

31-07-2010

Part List ID
BR75531

44

Pos	Part no.	Qty	Description	EAN
1	56505800	1	PAD HOLDER 14 3 LUG	5711144129
2	56505195	1	PAD RETAINER	PAD RETAINER FOR 56505800 5711144128
3	56505801	1	DISC BRUSH 14 MAGNAGRIT 3 LUG	5711144129
4	56505802	1	DISC BRUSH 14 DYNAGRIT 3 LUG	5711144129
5	56505803	1	DISC BRUSH 14 AGLITE 3 LUG	5711144129
6	56505804	1	DISC BRUSH 14 PROLENE 3 LUG	5711144129
7	56505805	1	DISC BRUSH 14 PROLITE 3 LUG	5711144129
8	56505806	1	DISC BRUSH 14 UNION MIX 3 LUG	5711144129
9	56505807	1	DISC BRUSH 14 MIDGRIT 3 LUG	5711144129
10	56505808	1	DISC BRUSH 14 MIDLITE 3 LUG	5711144129
11	56505780	1	PAD HOLDER 17 3 LUG	5711144128
12	56505195	1	PAD RETAINER	PAD RETAINER FOR 56505830 5711144128
13	56505781	1	DISC BRUSH 17 MAGNAGRIT 3 LUG	5711144128
14	56505782	1	DISC BRUSH 17 DYNAGRIT 3 LUG	5711144128
15	56505783	1	DISC BRUSH 17 AGLITE 3 LUG	5711144128
16	56505784	1	DISC BRUSH 17 PROLENE 3 LUG	5711144128
17	56505785	1	DISC BRUSH 17 PROLITE 3 LUG	5711144128
18	56505786	1	DISC BRUSH 17 UNION MIX 3 LUG	5711144128
19	56505787	1	DISC BRUSH 17 MIDGRIT 3 LUG	5711144128
20	56505788	1	DISC BRUSH 17 MIDLITE 3 LUG	5711144128

Pos. 1-10: BR 755 Brushes

Pos. 11-20: BR 855 Brushes

Brush selector guide-cylindrical

BR 755, BR 855

31-07-2010

Part List ID
BR75532

45

We provide brushes and pad holders that will give you the best possible performance between machine and floor. Following are descriptions of the materials and their applications.

- 46 Grit Brush: Most aggressive grit brush. Used primarily to clean heavy buildup on concrete floors in factories, or for heavy stripping of finish.
- 80 Grit Brush: Medium aggressive grit brush. Good all-around brush for medium to heavy buildup removal. Can also be used for general stripping operations.
- 180 Grit Brush: Least aggressive grit brush. Used for daily cleaning of hard-finished floors.
- Polypropylene Brush: Standard equipment brush. Low cost, yet effective in cleaning many common floor surfaces.
- Stiff Nylon Brush: Cleaning action similar to polypropylene. More durable and wear-resistant than polypropylene.
- Soft Nylon Brush: Least aggressive brush available. Used on soft-finish floors where a more aggressive brush would leave scratch marks, or in applications requiring very light cleaning.

BR 755 BRUSHES

- 56412191 - Soft Nylon
- 56412192 - Hard Nylon
- 56412046 - Prolene
- 56412193 - 180 Grit
- 56412194 - 80 Grit
- 56412195 - 46 Grit

CYLINDRICAL BRUSH APPLICATION GUIDE (SUGGESTION ONLY)

Application	46 Grit	80 Grit	180 Grit	Polypropylene	Stiff Nylon	Soft Nylon
Stripping:						
Concrete	X	X				
Terrazzo	X	X				
Ceramic/Quarry tile		X				
Vinyl tile		X				
General Scrubbing:						
Concrete	X	X	X	X	X	
Terrazzo			X	X	X	X
Ceramic/Quarry tile			X	X	X	X
Marble			X		X	X
Vinyl tile			X	X	X	X
Raised-rubber tile			X			X

Brush selector guide-cylindrical

BR 755, BR 855

31-07-2010

Part List ID
BR75532

46

Pos	Part no.	Qty	Description	EAN
1	56412191	1	BRUSH SOFT NYLON 28 YELLOW	5711144091
2	56412192	1	BRUSH HARD NYLON 28 NATURAL	5711144091
3	56412046	1	BRUSH POLYPROPYLENE 28 RED	5711144091
4	56412193	1	BRUSH 180 GRIT 28 BLUE/GREY	5711144091
5	56412194	1	BRUSH 80 GRIT 28 BLACK	5711144091
6	56412195	1	BRUSH 46 GRIT 28 ORANG/BROWN	5711144091

Recommended spare parts

BR 755, BR 855

31-07-2010

Part List ID
BR75533

47

No Drawing For Part List

Recommended spare parts

BR 755, BR 855

31-07-2010

Part List ID
BR75533

48

Pos	Part no.	Qty	Description	EAN
	56009062	1	SCR PAN PHIL THD FORM1/4 20X.5	5711144007
	56261265	1	TUBE E00521	5711144035
	56314580	1	BALL BEARING OUTPUT SIDE	5711144056
	56315061	1	MOTOR 24VDC .5HP 1800RPM	5711144058
	56315448	1	IDLER END ASSEMBLY	5711144059
	56316089	1	WHEEL	5711143105
	56379139	1	TUBE PVC .750X30 E00521	5711144068
	56396268	1	SPRING HOUSING GUIDE	5711144078
0	56407334	1	KNOB	5711144082
	56409485	1	CABLE ASSY.1 X 15.00	5711144085
	56507644	1	CIRCUIT BREAKER 10 AMP	5711144132
	56601050	1	MOTOR DRIVE WHEEL	5711143106
	56601052	1	FOOT PEDAL ASSY	5711143106
	56601060	1	STEERING WHEEL	5711143106
	56601061	1	SPEED CONTROL	5711143106
	56601076	1	SOLUTION TANK	5711143106
	56601077	1	SPINDLE WELDT	5711143106
	56601096	1	KIT INTERFACE PANEL	5711143106
	56601125	1	FILTER	5711143103
	56601130	1	GASKET RECOVERY LID	5711143106
	56601134	1	BRUSH MOTOR AMER	5711143106
	56601136	1	RECOVERY HOSE	5711143106
	56601171	1	CONNECTOR ASM	5711143106
	56601172	1	CONNECTOR ASM	5711143106
	56601183	1	CONTACTOR 24V 100 AMP	5711143098
	56601184	1	CONTACTOR 24V 200 AMP	5711143106
	56601271	1	KNOB 5/16 STUD	5711143106
	56601273	1	HOSE	5711143106
	56601438	1	SQUEEGEE MOUNT BRACKET WELDT	5711143106
	56601444	1	SQUEEGEE CASTING	5711143106
	56601481	1	TUBE PRESSURE SENSING	5711143107
	56601482	1	WHEEL	5711143107
	56601488	1	VAC MOTOR W/SUPPRESSION	5711143107
	56601489	1	FRONT STRAP WELDMENT	5711143107
	56601495	1	FRONT STRAP WELDMENT	5711143107
	56601508	1	PLASTIC COVER	5711143107
	56601533	1	MOTOVARIO GEARBOX	5711143107
	56601534	1	CARBON BRUSH	5711143107
	56601535	1	KEY	5711143107
	56601536	1	MOTOR FAN	5711143107
	56601537	1	BALL BEARING OUTPUT SIDE	5711143107
	56601565	1	INTERFACE PANEL	5711143107

Recommended spare parts

BR 755, BR 855

31-07-2010

Part List ID
BR75533

49

Pos	Part no.	Qty	Description	EAN
	56601591	1	WELDMENT REAR STRAP	5711143108
	56601593	1	WELDMENT REAR STRAP	5711143108
	56601594	1	KIT SOLUTION FILTER	5711143108
	56601599	1	CAP RAW WITH TETHER	5711144142
	7-82-00050	1	SWITCH SEAT	5711144181

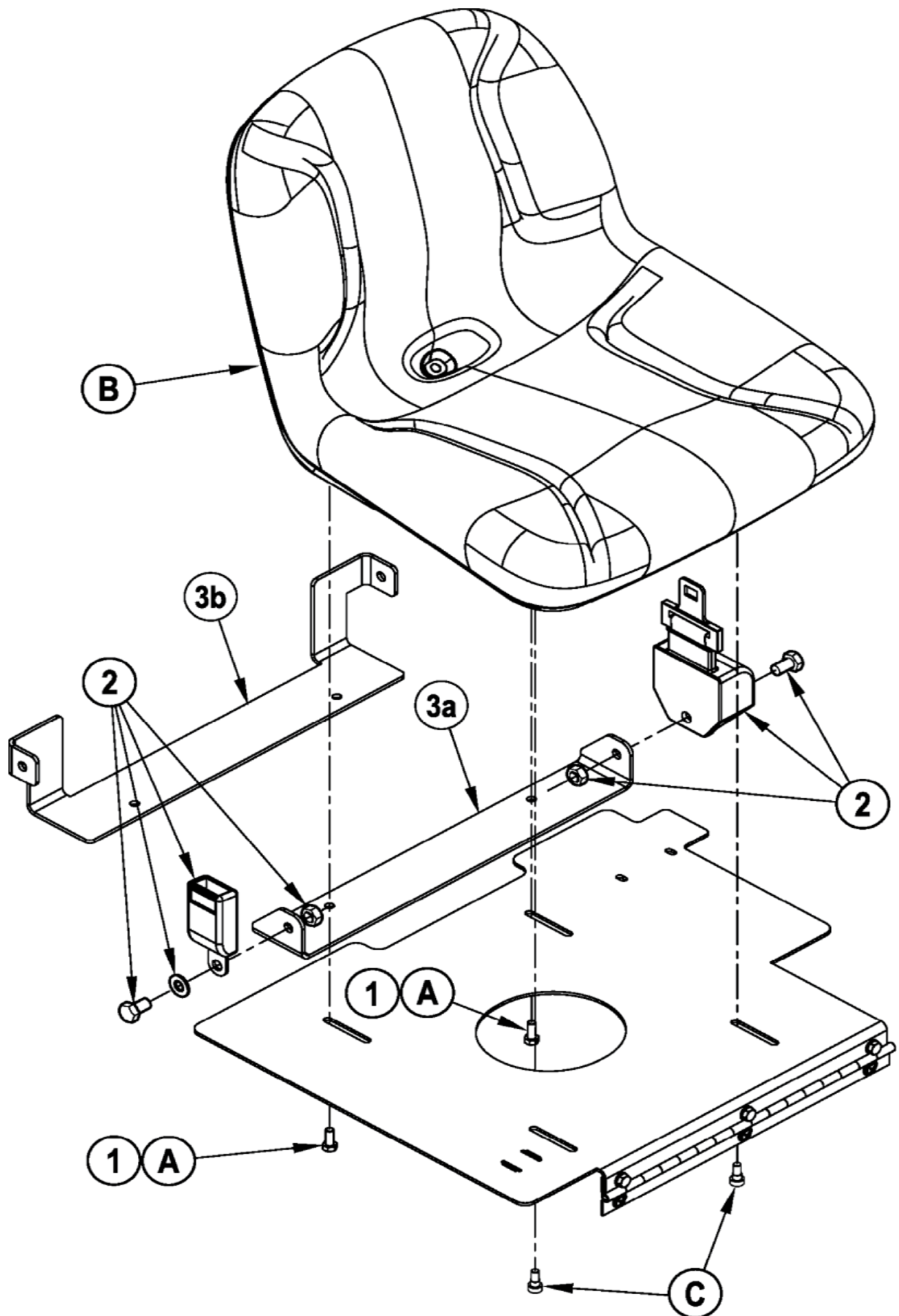
56314312/56422162 - Seat Belt Kit

BR 755, BR 855

31-07-2010

Part List ID
IS56040846

50



56314312/56422162 - Seat Belt Kit

BR 755, BR 855

31-07-2010

Part List ID
IS56040846

51

Pos	Part no.	Qty	Description	EAN
	56040846	1	INSTRUCTION SHEET	5711144014
1	56003179	2	SCR HEX THD/HD M8 1.25X20MM	5711144004
2	56314962	1	SEAT BELT KIT	5711144057
			INCLUDES HARDWARE	
3A	56314961	1	SEAT BELT BRACKET	5711144057
			FOR 56314312	
3B	56422160	1	BRACKET SEAT BELT	5711144107
			FOR 56422162	

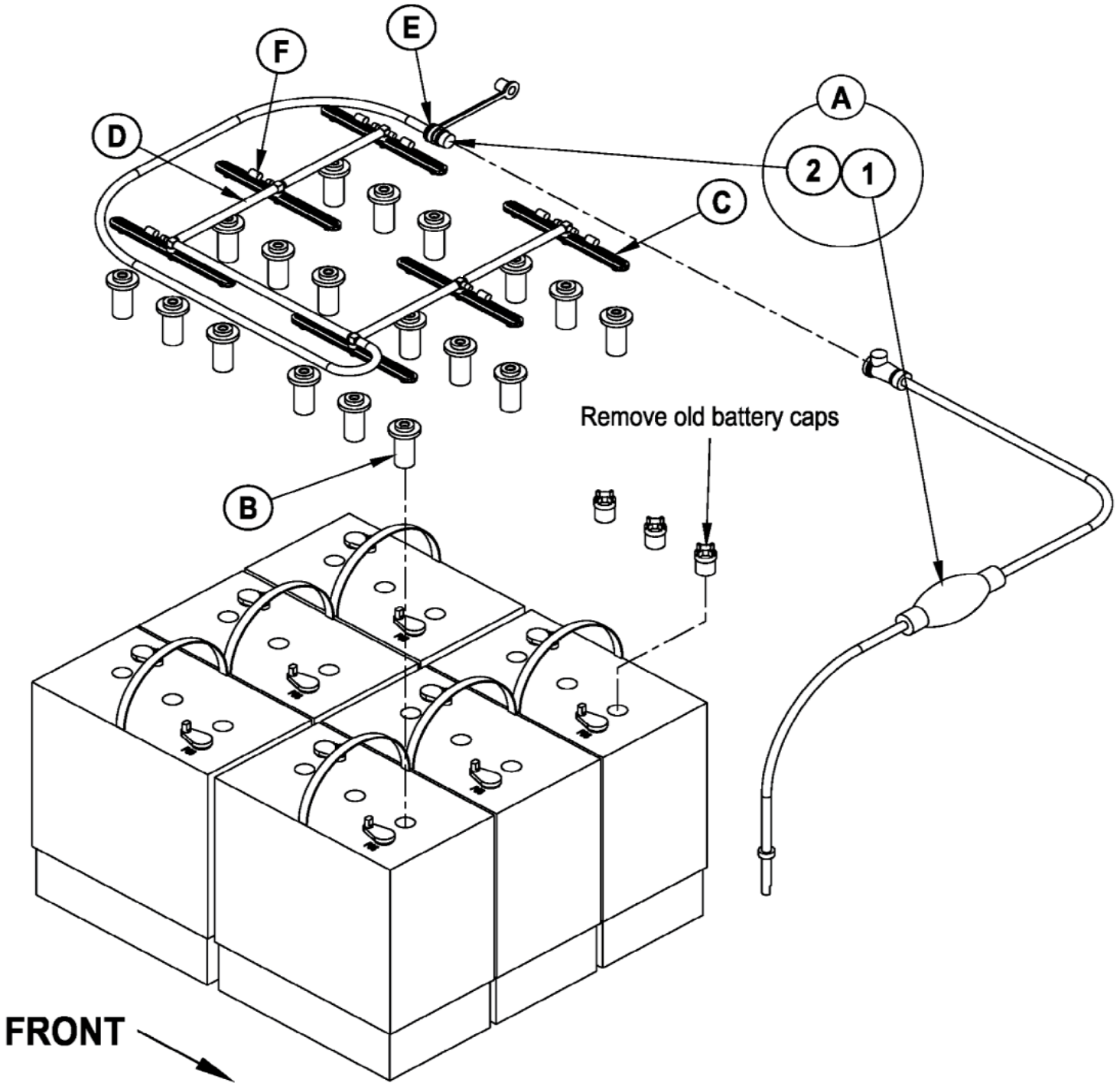
56314981/56601527 - Battery Watering Kit, fig.

BR 755, BR 855

31-07-2010

Part List ID
IS56040853A

52



56314981/56601527 - Battery Watering Kit, fig.

BR 755, BR 855

31-07-2010

Part List ID
IS56040853A

53

Pos	Part no.	Qty	Description	EAN
	56040853	1	INSTRUCTION SHEET BATT.WAT	5711144014
1	56314978	1	WATER PUMP	5711144058
1	56314978	1	WATER PUMP	5711144058
2	56314979	1	MANIFOLDS BATTERY WATERING	5711144058
2	56601525	1	MANIFOLD ASSEMBLY	5711144142
A	56314974	1	SYSTEM BATTERY WATERING	FOR 56314981 5711144058
B	56601526	1	SYSTEM BATTERY WATERING	FOR 56601527 5711143107

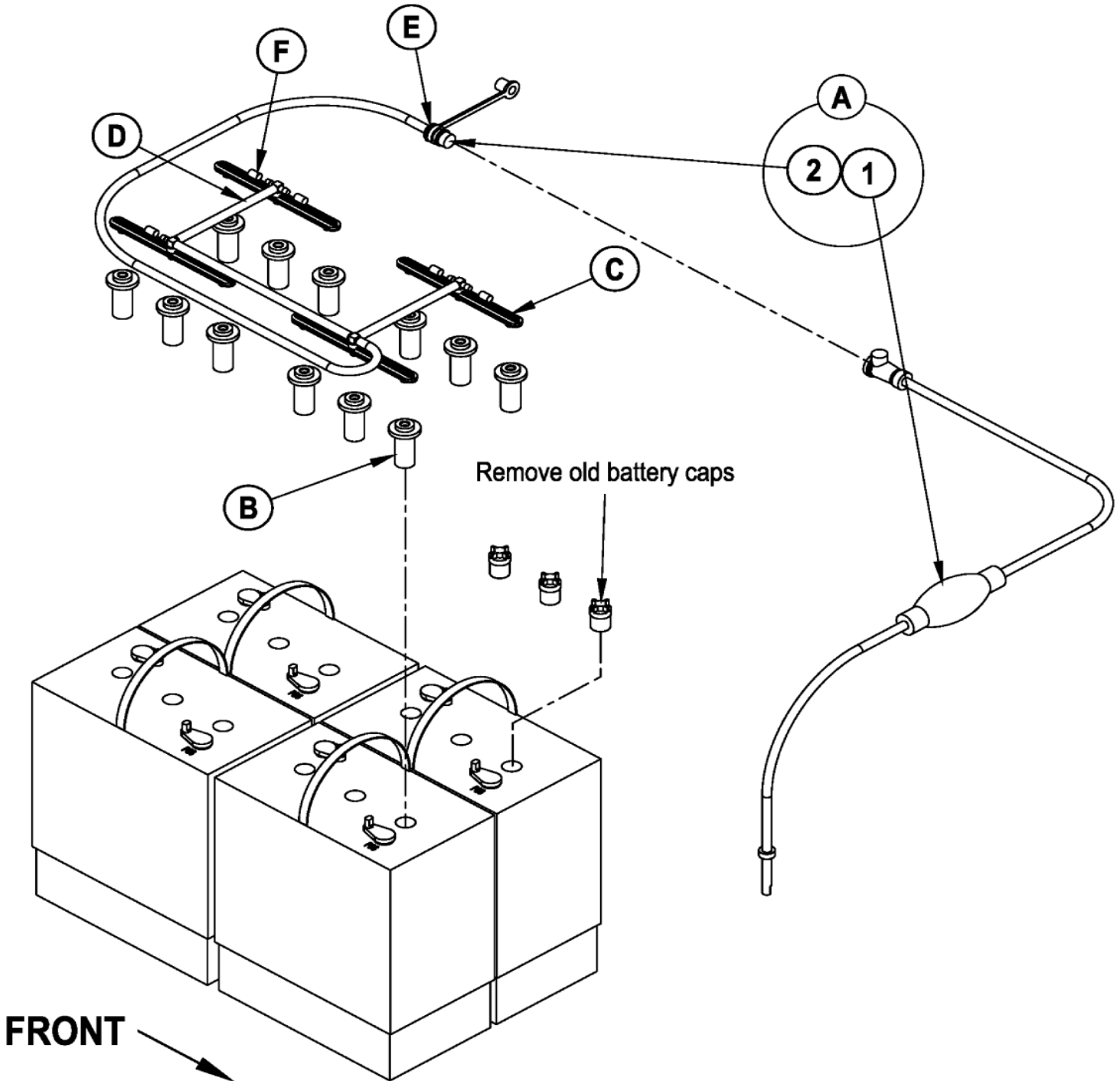
56314981/56601527 - Battery Watering Kit, fig.

BR 755, BR 855

31-07-2010

Part List ID
IS56040853B

54



56314981/56601527 - Battery Watering Kit, fig.

BR 755, BR 855

31-07-2010

Part List ID
IS56040853B

55

Pos	Part no.	Qty	Description	EAN
	56040853	1	INSTRUCTION SHEET BATT.WAT	5711144014
1	56314978	1	WATER PUMP	5711144058
1	56314978	1	WATER PUMP	5711144058
2	56314979	1	MANIFOLDS BATTERY WATERING	5711144058
2	56601525	1	MANIFOLD ASSEMBLY	5711144142
A	56314974	1	SYSTEM BATTERY WATERING	FOR 56314981 5711144058
B	56601526	1	SYSTEM BATTERY WATERING	FOR 56601527 5711143107

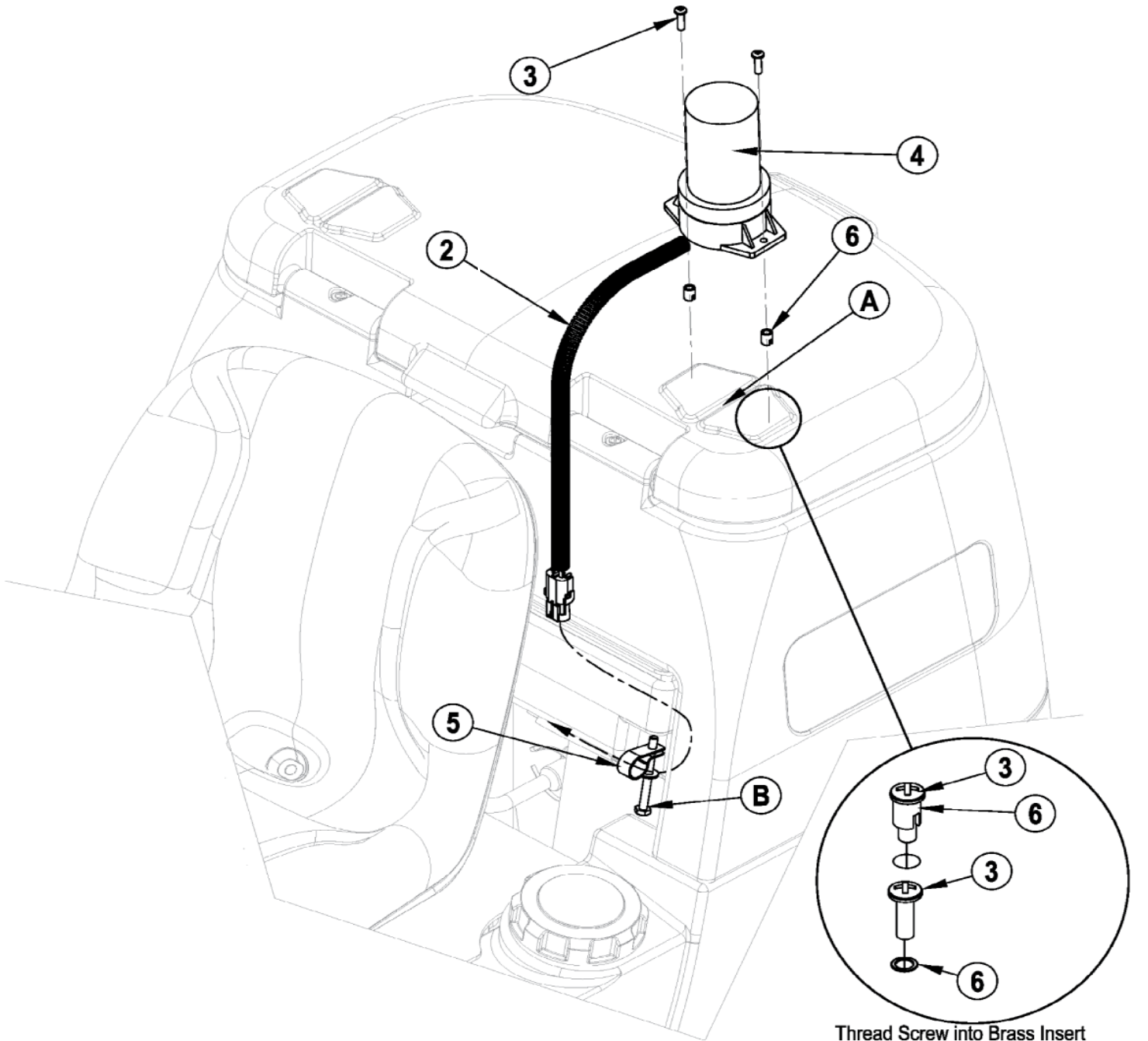
56601085 - Beacon Kit

BR 755, BR 855

31-07-2010

Part List ID
IS56040978

56



Thread Screw into Brass Insert and then thread the Insert into the tank lid until flush. Remove the Screw.

56601085 - Beacon Kit

BR 755, BR 855

31-07-2010

Part List ID
IS56040978

57

Pos	Part no.	Qty	Description	EAN
1	56040978	1	INSTRUCTION SHEET NOT SHOWN	5711144015
2	56459883	1	CONDUIT	5711144116
3	56002896	2	SCR PAN PHIL SS 10 24 X .62	5711144003
4	56307166	1	BEACON ASSEMBLY	5711144052
5	56486112	1	CLAMP P	5711144125
6	56249946	2	INSERT BRASS FL150S	5711144034

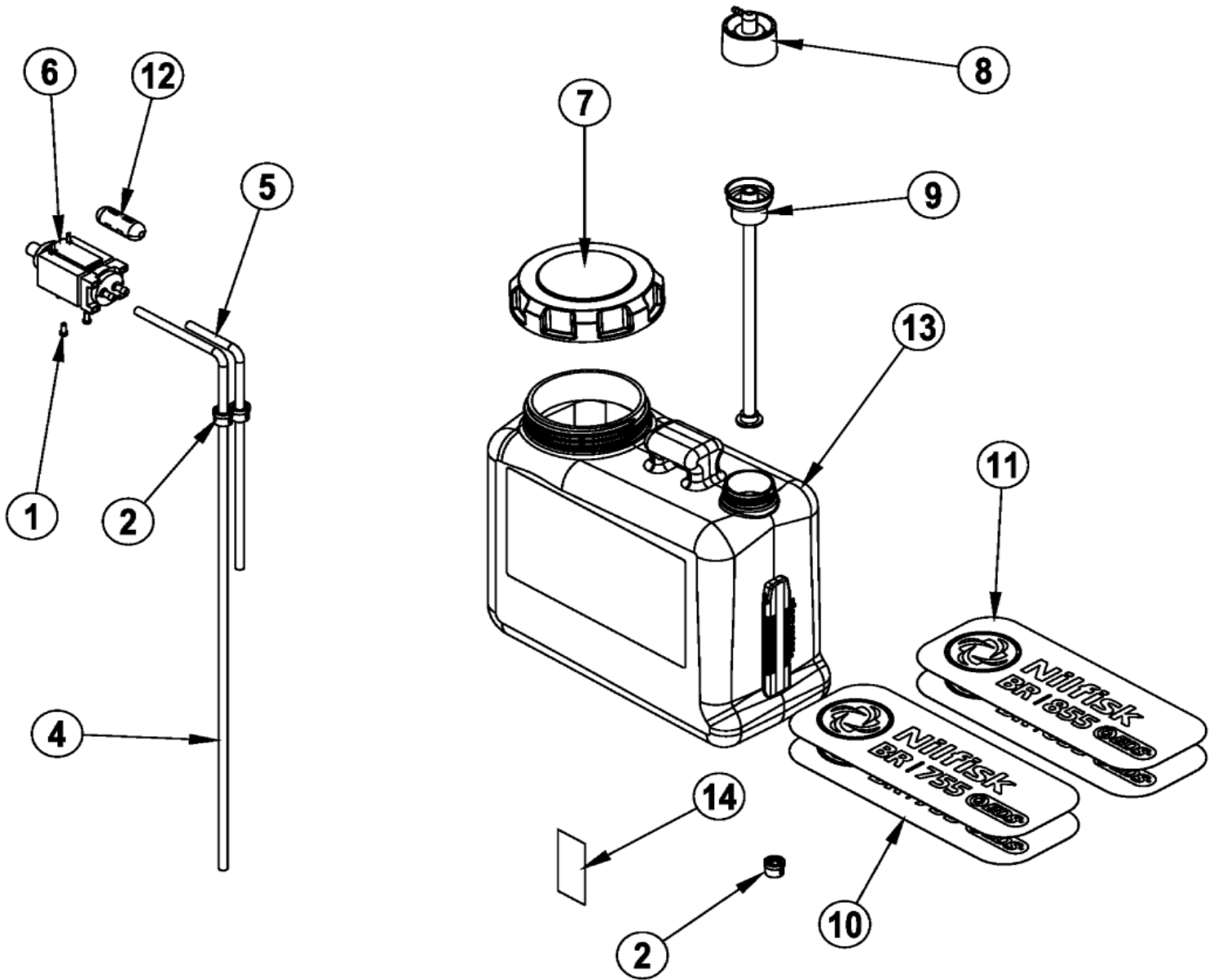
56601082 - EDS Onboard Chemical Kit

BR 755, BR 855

31-07-2010

Part List ID
IS56040982

58



56601082 - EDS Onboard Chemical Kit

BR 755, BR 855

31-07-2010

Part List ID
IS56040982

59

Pos	Part no.	Qty	Description	EAN
1	56002539	2	SCR PAN PHIL TD FORM 6 32 X.31	5711144001
2	56003699	3	BUSHING 1/4 ID SNUB	5711144006
3	56040982	1	INSTRUCTION SHEET	5711144015
			NOT SHOWN	
4	56314942	1	HOSE CHEM RESISTANT	5711144057
5	56314991	1	HOSE CHEM RESISTANT 14	5711144058
6	56315241	1	PUMP CHEMICAL	5711144058
7	56315517	1	CAP	5711144059
8	56315523	1	CAP DRY BREAK 1/8 BARB	5711144059
9	56315527	1	INSERT DRY BREAK	5711144059
10	56601306	2	DECAL BR755 ECOFLEX	5711144141
11	56601308	2	DECAL BR855 ECOFLEX	5711144141
12	56601514	1	FERRITE BEAD	5711143107
13	56601544	1	CHEMICAL BOTTLE ASSEMBLY	5711144142
14	56016331	1	DECAL CHEMICAL RATIO	5711144011

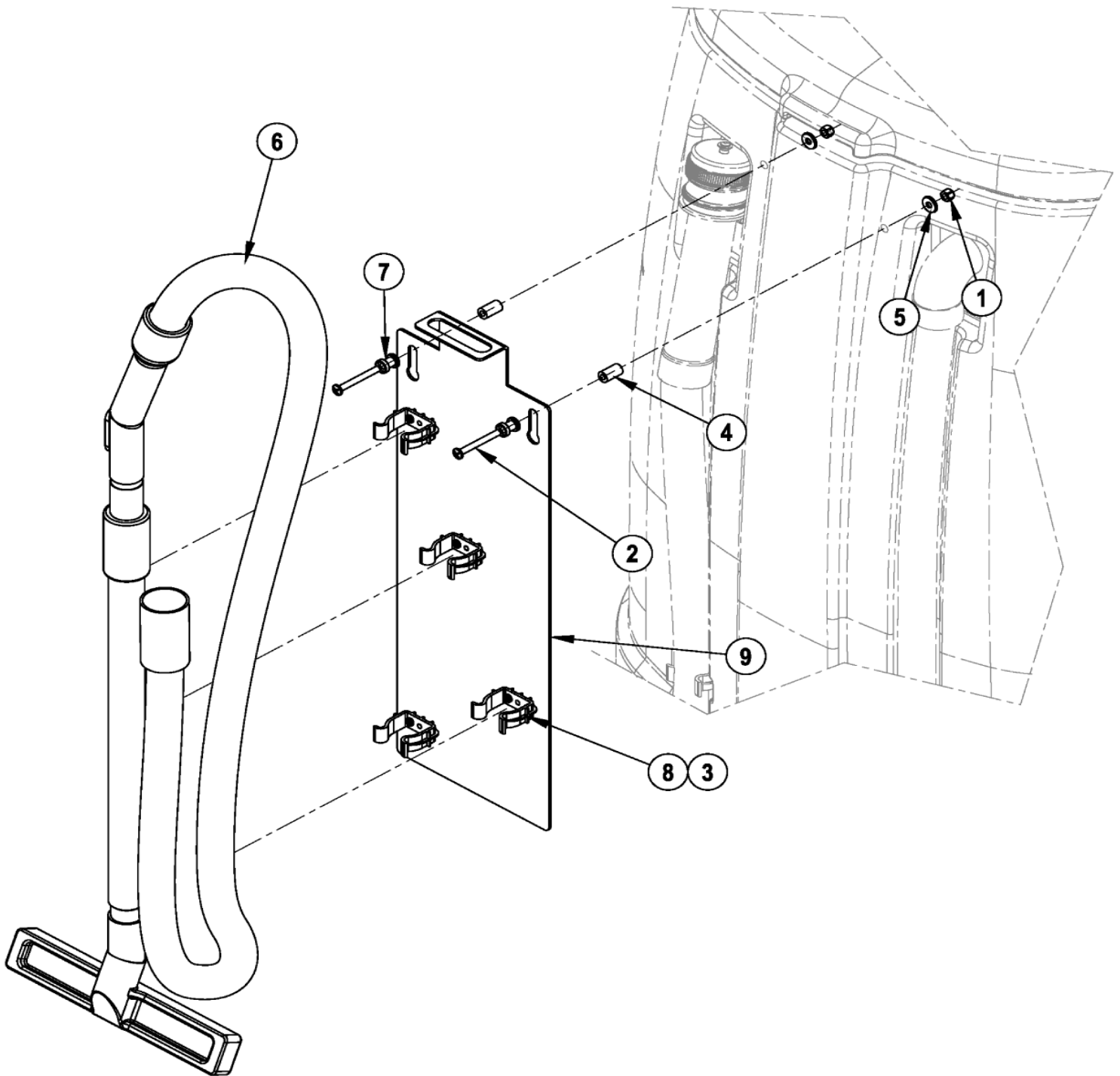
56601087 - Vacuum Wand Kit

BR 755, BR 855

31-07-2010

Part List ID
IS56040983

60



56601087 - Vacuum Wand Kit

BR 755, BR 855

31-07-2010

Part List ID
IS56040983

61

Pos	Part no.	Qty	Description	EAN
0	56040983	1	INSTRUCTION SHEET	5711144015
1	56002708	2	NUT HEX NYL LOC 1/4 20	5711144002
2	56002788	2	SCR PAN PHIL 1/4 20 X 2.25	5711144002
3	56009030	8	SCR PAN PHIL THD FOM 10 24X.38	5711144007
4	56052237	2	SPACER PHEN .250X.500X.875	5711144016
5	56201047	2	WSH SEALINE SS 5/16	5711144029
6	56315309	1	SCRUB/VAC WAND & HOSE	
7	56315311	2	SPACER STEPPED	5711144059
8	56407361	4	CLAMP PLASTIC	5711144082
9	56601458	1	BRACKET WAND KIT	5711143107

NOTE: Items (3, 8 & 9) are preassembled.

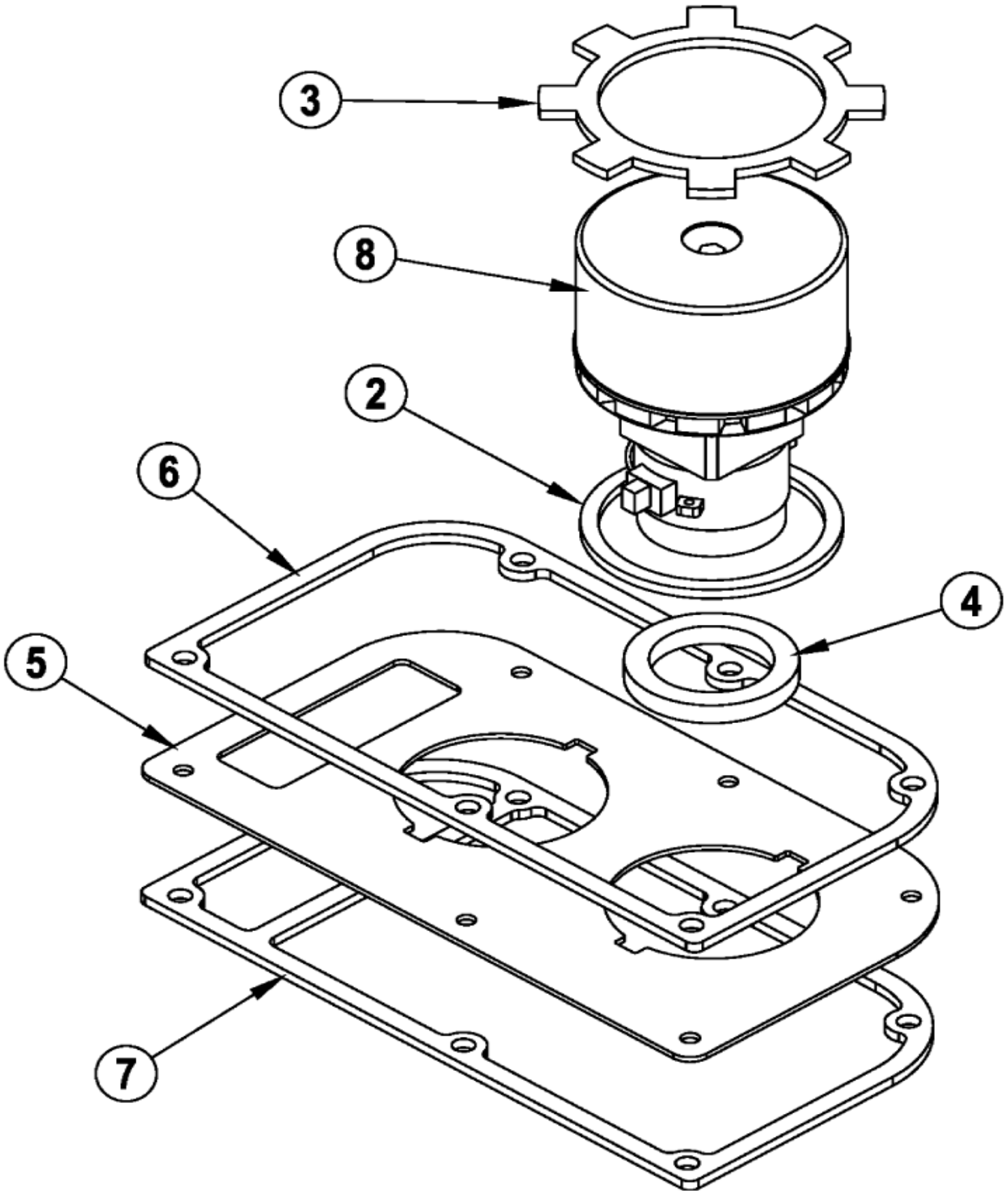
56601090 - Dual Vac Kit

BR 755, BR 855

31-07-2010

Part List ID
IS56040989

62



56601090 - Dual Vac Kit

BR 755, BR 855

31-07-2010

Part List ID
IS56040989

63

Pos	Part no.	Qty	Description	EAN
1	56040989	1	INSTRUCTION SHEET	5711144015
2	56212143	1	GASKET VACUUM DUCT	5711144033
3	56264103	1	GASKET VAC MOTOR	5711144037
4	56314760	1	GASKET VACUUM DUCT	5711144056
5	56601122	1	PLATE VAC	5711144141
6	56601126	1	GASKET EXHAUST	5711143103
7	56601127	1	GASKET VAC	5711143103
8	56601488	1	VAC MOTOR W/SUPPRESSION	56601090 5711143107

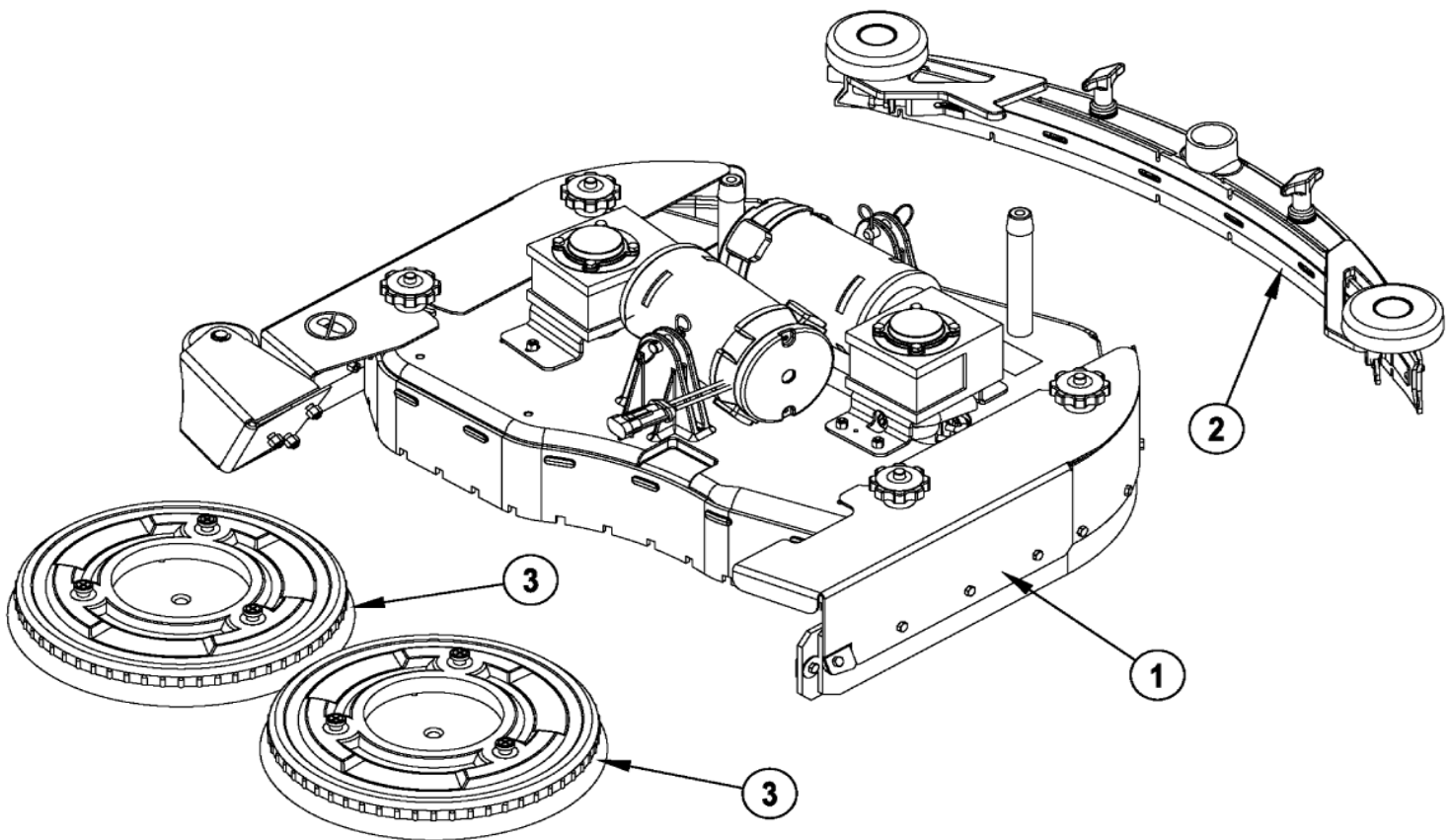
56601700 - BR 755 Disk Deck Assy Kit

BR 755, BR 855

31-07-2010

Part List ID
IS56040991A

64



56601700 - BR 755 Disk Deck Assy Kit

BR 755, BR 855

31-07-2010

Part List ID
IS56040991A

65

Pos	Part no.	Qty	Description	EAN
1		1	NOTE COMMENT 28" DISK DECK SYSTEM - NOT AVAILABLE	5701715456
2	56601449	1	SQUEEGEE ASSEMBLY	5711144142
3	56505800	2	PAD HOLDER 14 3 LUG	5711144129

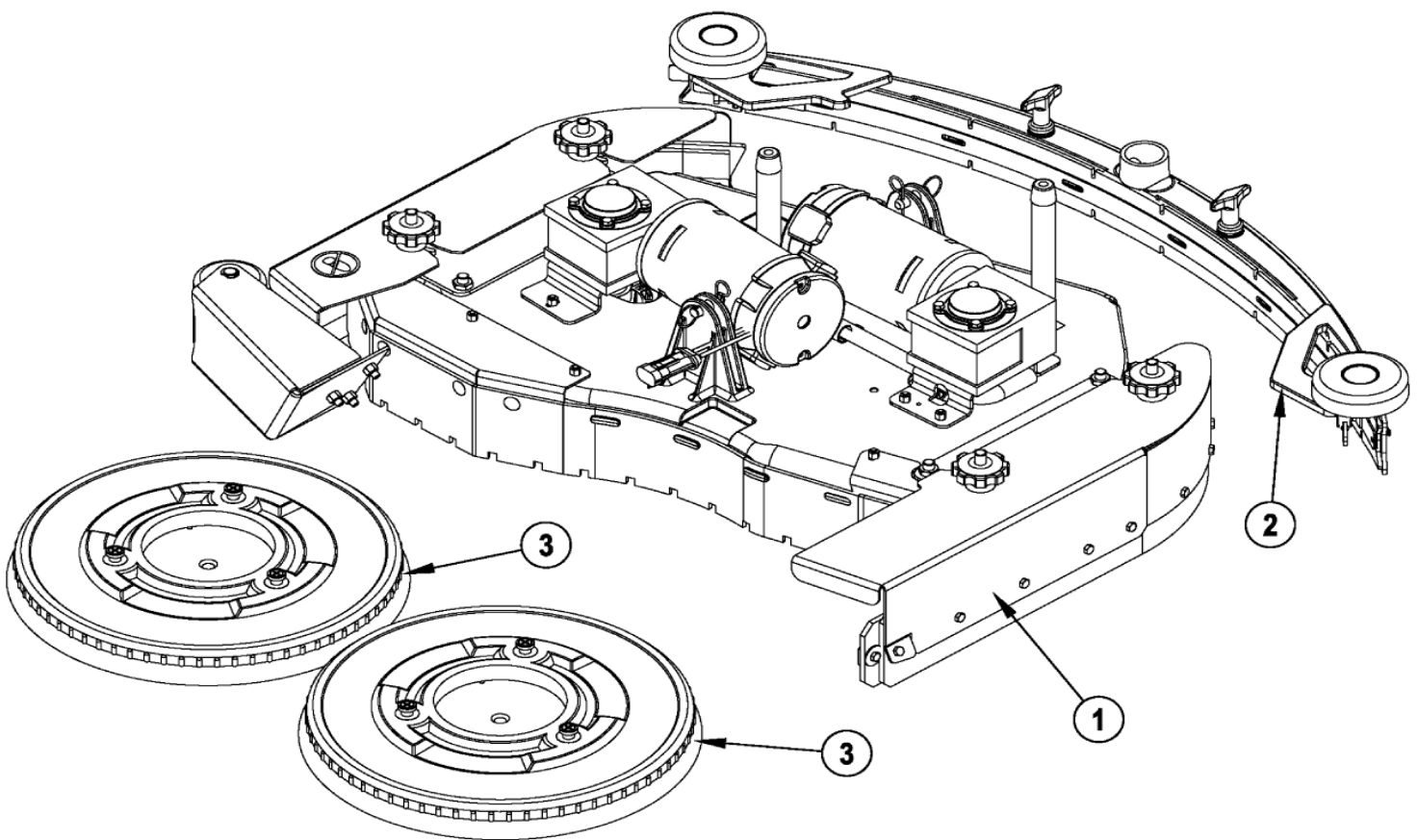
56601701 - BR 855 Disk Deck Assy Kit

BR 755, BR 855

31-07-2010

Part List ID
IS56040991B

66



56601701 - BR 855 Disk Deck Assy Kit

BR 755, BR 855

31-07-2010

Part List ID
IS56040991B

67

Pos	Part no.	Qty	Description	EAN
1		1	NOTE COMMENT 34" DISK DECK SYSTEM - NOT AVAILABLE	5701715456
2	56601454	1	SQUEEGEE ASSEMBLY	5711144142
3	56505780	2	PAD HOLDER 17 3 LUG	5711144128

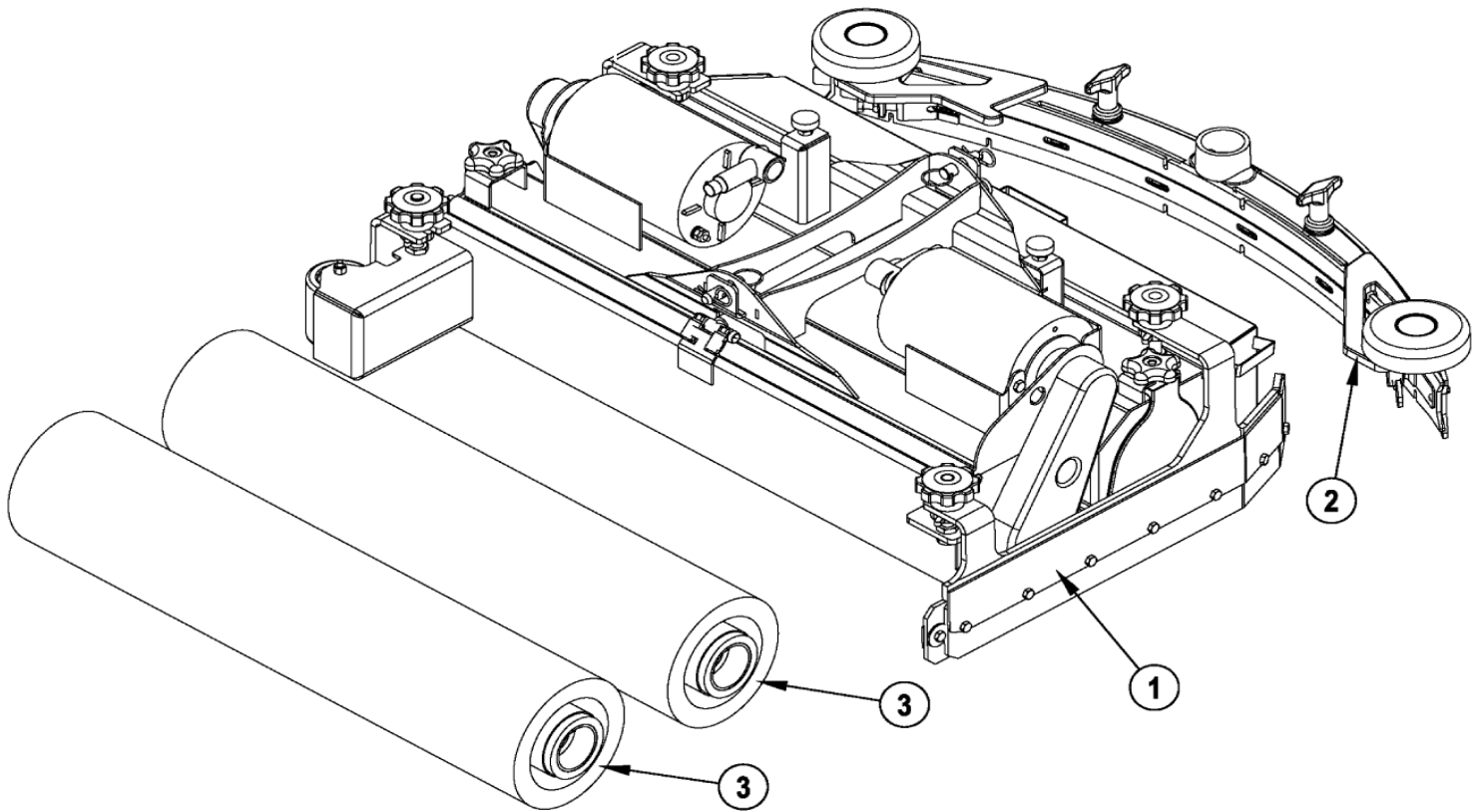
56601548 - 28" Cylindrical Deck Assy Kit

BR 755, BR 855

31-07-2010

Part List ID
IS56040991C

68



56601548 - 28" Cylindrical Deck Assy Kit

BR 755, BR 855

31-07-2010

Part List ID
IS56040991C

69

Pos	Part no.	Qty	Description	EAN
1		1	NOTE COMMENT 28" CYLINDRICAL DECK SYSTEM - NOT AVAILABLE	5701715456
2	56601449	1	SQUEEGEE ASSEMBLY	5711144142
3	56412046	2	BRUSH POLYPROPYLENE 28 RED	5711144091

56601080 - On Board Charger Kit EU

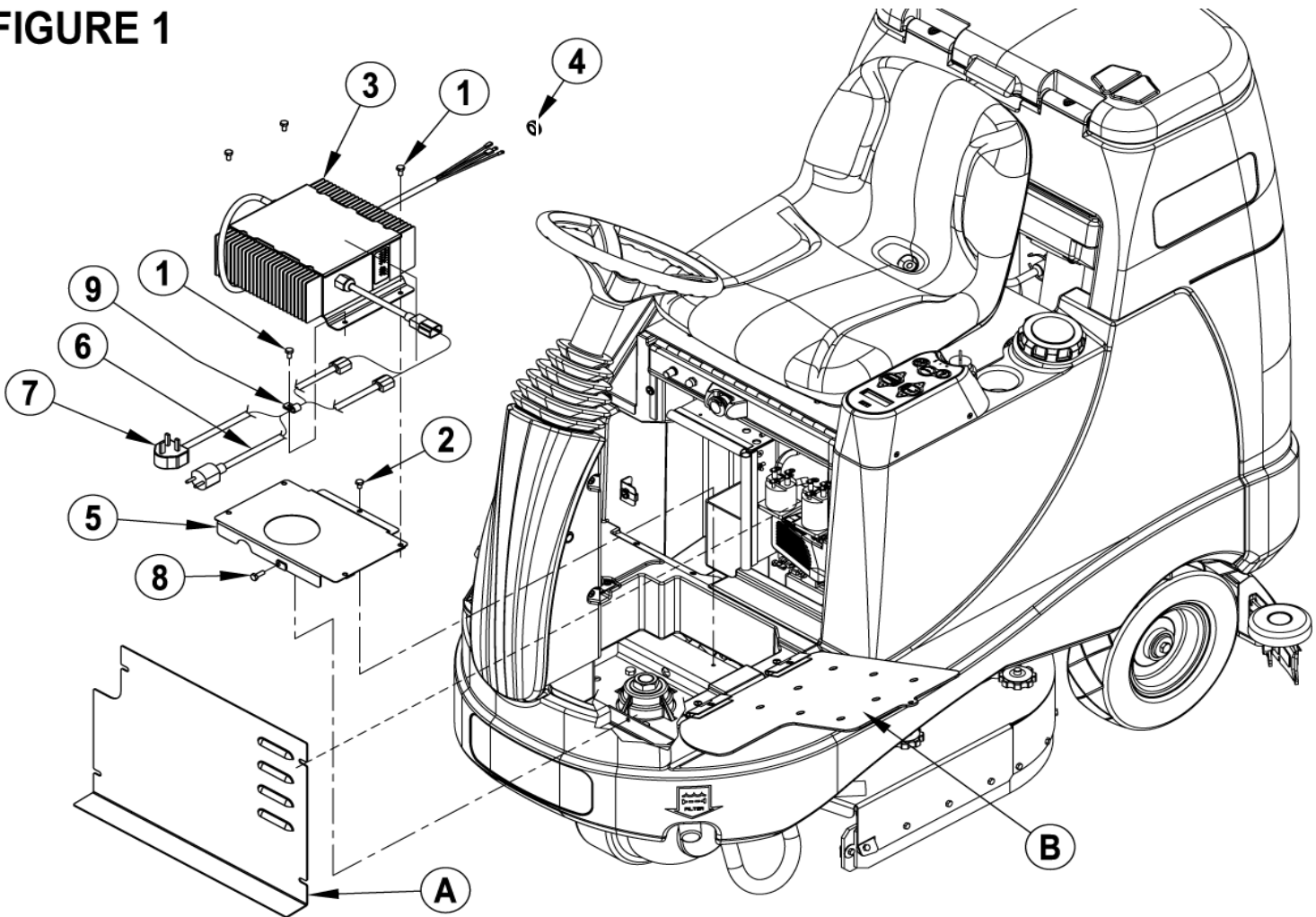
BR 755, BR 855

31-07-2010

Part List ID
IS56040990

70

FIGURE 1



56601080 - On Board Charger Kit EU

BR 755, BR 855

31-07-2010

Part List ID
IS56040990

71

Pos	Part no.	Qty	Description	EAN
	56040990	1	INSTRUCTION SHEET	5711144015
1	56001854	4	SCR HEX 1/4 20 X .50	5711144000
2	56009019	1	SCR HEX THD FORM 1/4 20X .38	5711144007
3	56315124	1	CHARGER ONBOARD 24V	5711144058
4	56157376	1	GROMMET 1 OD X 9/16 ID X 5/	5711144028
5	56601417	1	CHARGER MOUNT BRACKET	5711143107
6	56315271	1	CHARGER CORD EUR	5711144059
7	56315664	1	CHARGER CORD UK	5711144060
8	56001836	1	SCR HEX 1/4 20 X .62	5711144000
9	56172017	1	P CLIP E00129	5711144029