

ALPINK

www.alpinagarden.com

> Illustrated Parts List

for:

> B 28 D

- Use GLOBAL GARDEN PRODUCT genuine spare parts specified in the parts list for repair and/or replacement.
- The contents described in the parts list may change due to improvement.
- The drawings of the spare part are only indicative and might not represent the part in question exactly.
- The indications "right" - "left" - "front" - "rear" refer to the position of the operator when using the machine.
- When placing orders of parts for repair and/or replacement, make sure that the illustrated parts list is the one applying to the machine's year of manufacture, as shown on the identification plate attached to the machine.

© Copyright 2014 Global Garden Products

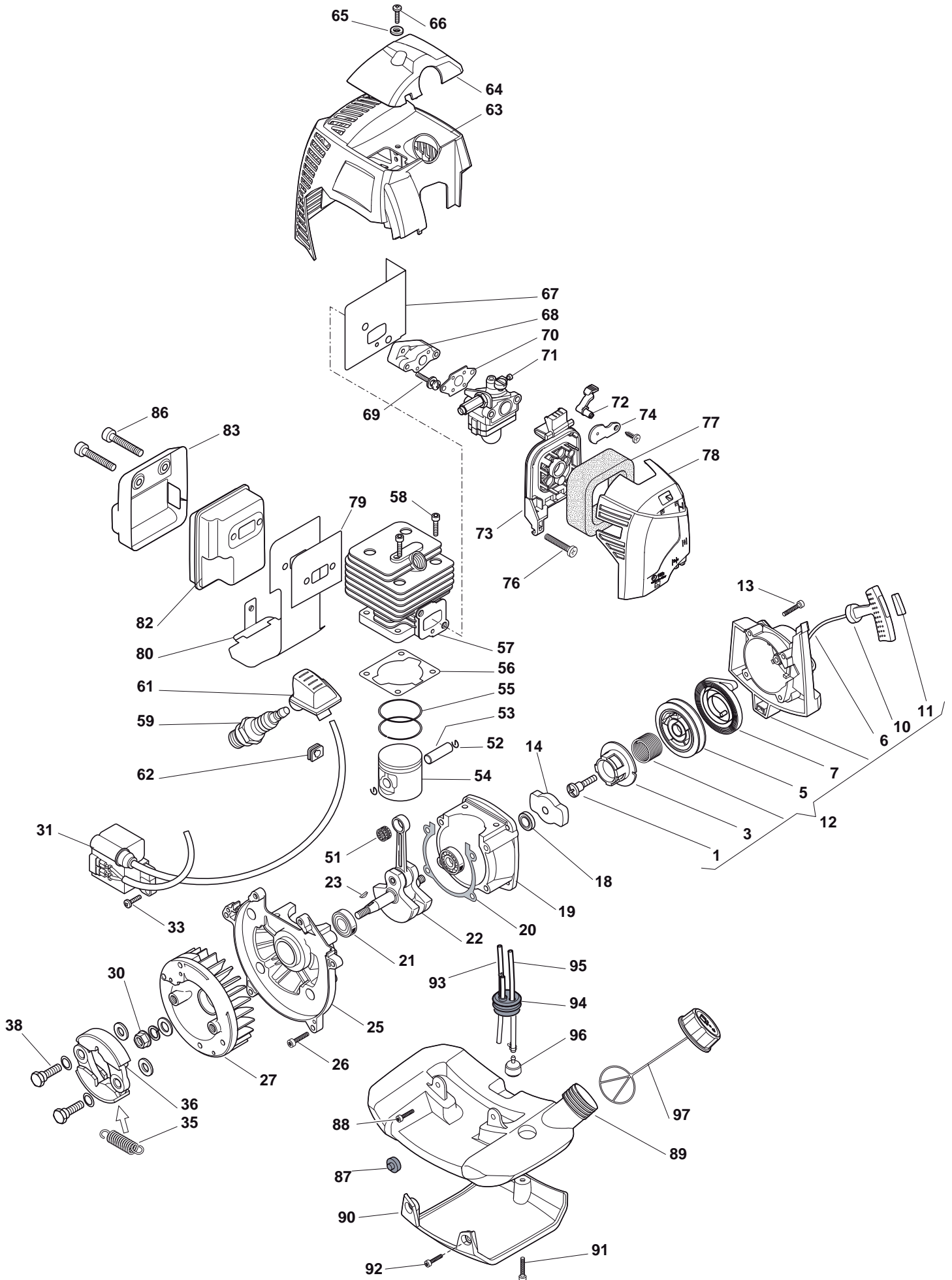
All content is subject to copyright by Global Garden Products and may not be reproduced in whole or in part by any means, electronic or otherwise, without prior written approval.

THIS INFORMATION IS NOT INTENDED FOR SALE OR RESALE, AND THIS NOTICE MUST REMAIN ON ALL COPIES.

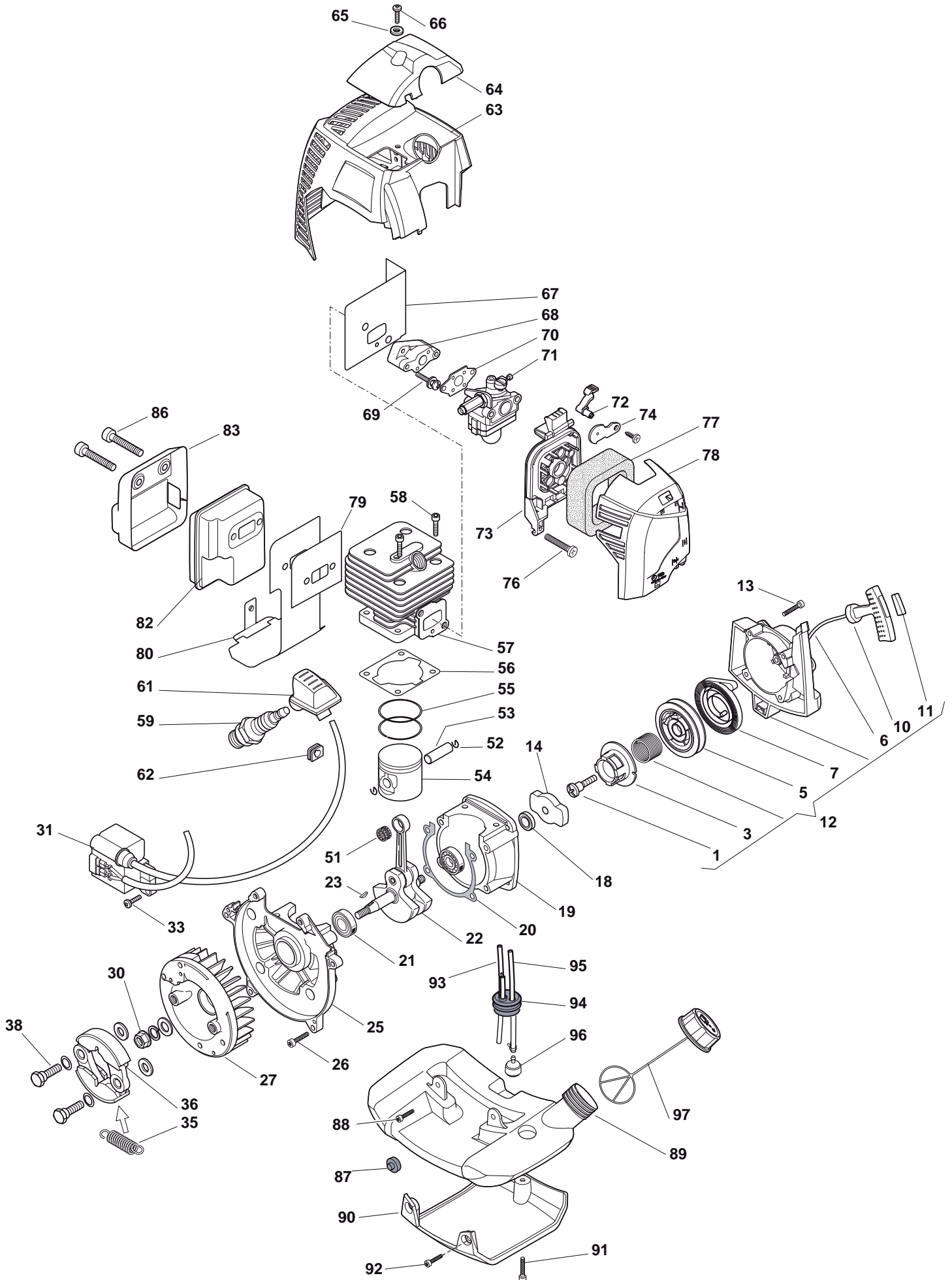
www.ggp-group.com



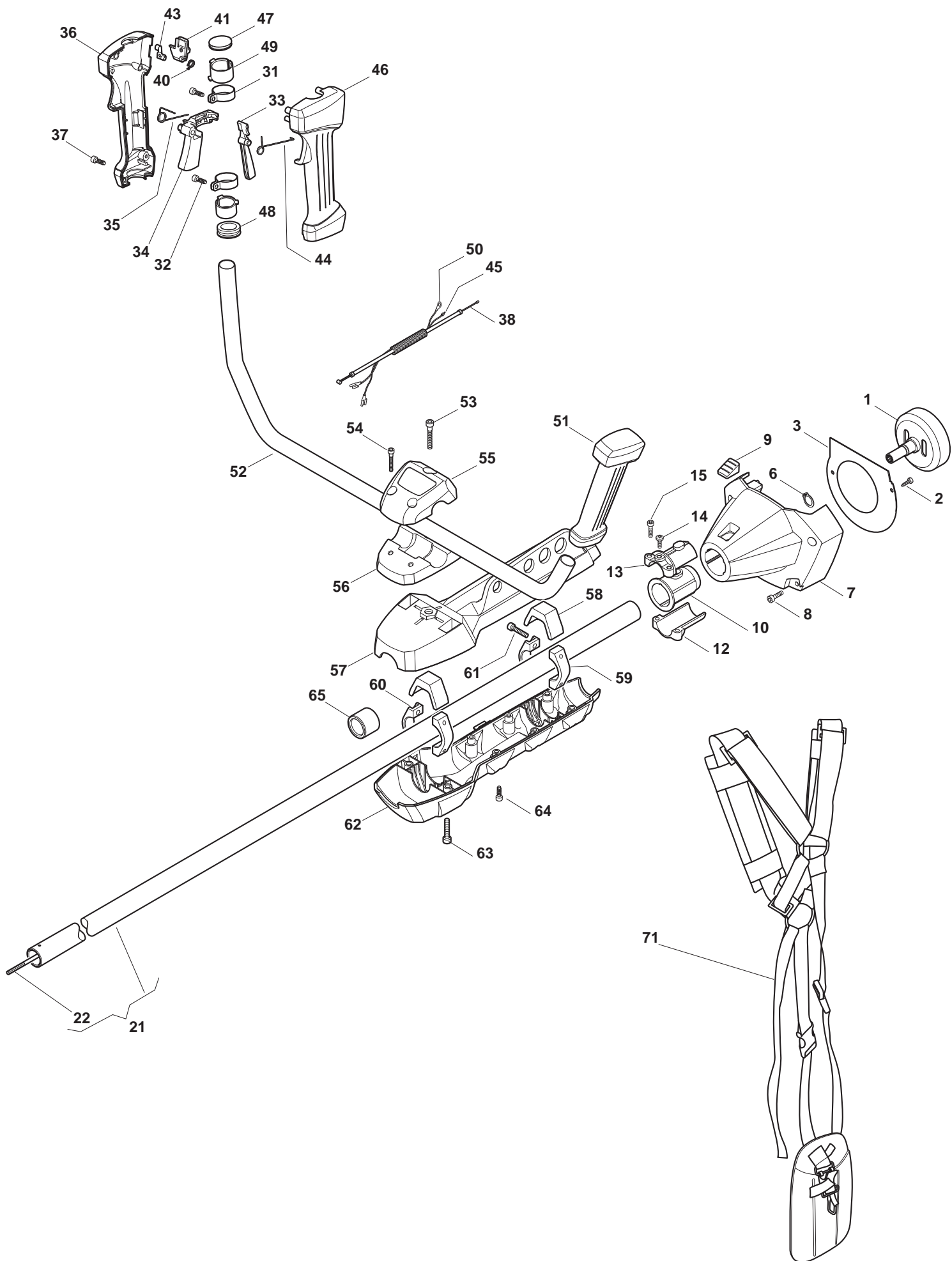
Engineered to amaze you



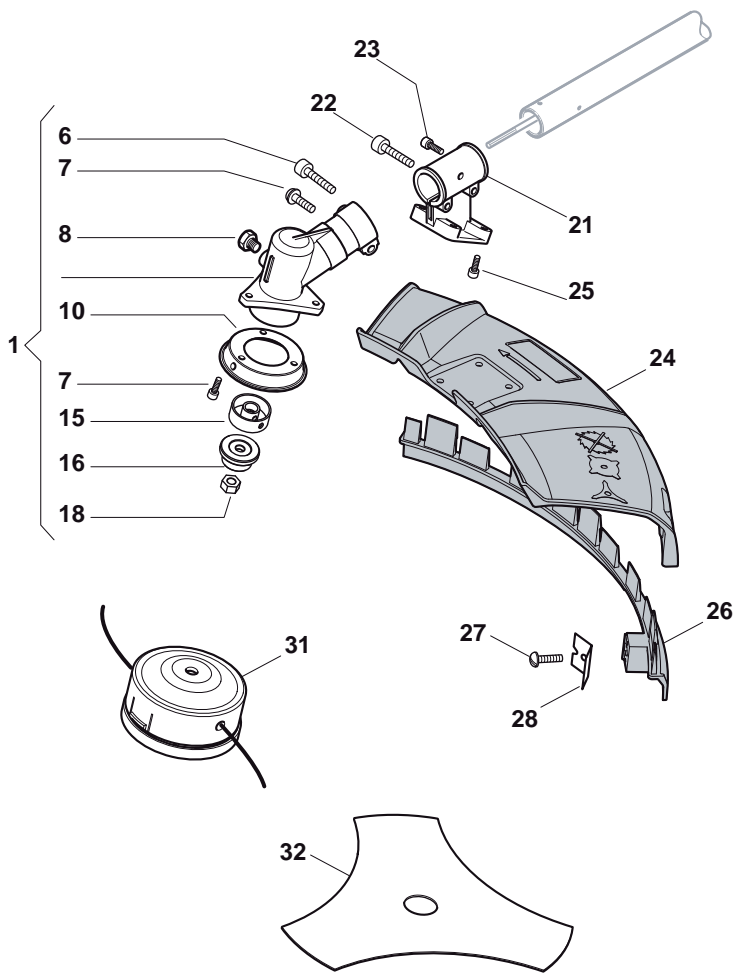
B 28 D				Engine parts
POS	CODE	Q.TY	DESCRIPTION	NOTES
1	2112030	1	Screw	
3	118801241/0	1	Hub	
5	118801240/0	1	Starter Pulley	
6	118801225/0	1	Starter Cord	
7	118801242/0	1	Spring	
10	118801238/0	1	Starter Handle	
11	118801239/0	1	Retainer	
12	118801237/0	1	Starter Ass.Y Black	
13	2135060	4	Screw	
14	118801226/0	1	Starter Cup Ass.Y	
18	119035159/0	2	Seal Ring	
19	123685024/0	1	Crank Case	
20	123280046/0	1	Crankcase Gasket	
21	114215218/0	2	Ball Bearing	
22	123020024/0	1	Crankshaft	
23	123072002/0	1	Woodruff Key	
25	123685025/0	1	Crank Case	
26	2132140	4	Screw	
27	123880010/0	1	Flywheel	
30	112154200/0	1	Nut	
31	118801231/0	1	Electronic Coil	
33	2135030	2	Screw	
35	123430582/0	1	Spring	
36	123400002/0	2	Clutch Unit	
38	123878057/0	2	Screw	
40	112727815/0	2	Screw	
51	123235006/0	1	Ball Bearing	
52	123202005/0	2	Washer, Piston Pin	
53	123760005/0	1	Piston Pin	
54	123590007/0	1	Piston	
55	123204009/0	2	Piston Ring	
56	123280044/0	1	Gasket	
57	123071013/0	1	Cylinder Assy	
58	2132330	4	Screw	
59	3210024	1	Spark Plug	
61	118801232/0	1	Spark Plug Cover	
62	123275023/0	1	Grommet	
63	118801233/0	1	White Cylinder Cover	
64	118801245/0	1	White Cover	
65	118801255/0	1	Gasket	
66	2132330	1	Screw	
67	123280040/0	1	Gasket	
68	123073508/0	1	Intake Manifold	
69	2135060	2	Screw	
70	118801227/0	1	Carburetor Gasket	
71	123054025/0	1	Carburettor	
72	118801229/0	1	Lever	
73	118801228/0	1	Air Filter Support	
74	123190000/0	1	Choke Lever	
76	2132160	2	Screw	
77	123220011/0	1	Air Filter	
78	118801230/0	1	Filter Cover White	
79	118801320/0	1	Gasket	
80	118801247/0	1	Muffler Gasket	
82	183740021/0	1	Muffler	
83	118801248/0	1	Muffler Guard	
86	6981104	2	Screw	
87	123280060/0	2	Grommet	
88	2112140	2	Screw	
89	118801244/0	1	Tank	
90	118801246/0	1	Lower Guard	
91	2135030	1	Screw	
92	2135200	2	Screw	
93	118801319/0	1	Tube	



B 28 D				Engine parts
POS	CODE	Q.TY	DESCRIPTION	NOTES
94	118801318/0	1	Grommet	
95	118801313/0	1	Fuel Line	
96	183520005/0	1	Intake	
97	118801243/0	1	Fuel Tank-Cap Ass.Y	



B 28 D				Transmission parts
POS	CODE	Q.TY	DESCRIPTION	NOTES
1	123050011/0	1	Drum Ass'Y, Clutch	
2	112727815/0	2	Screw	
3	118801235/0	1	Guard	
6	112609200/0	1	Seeger	
7	118801234/0	1	Clutch Case White	
8	118801236/0	1	Button	
9	2135131	2	Screw	
10	118801308/0	1	Reduction	
12	118801307/0	1	Support	
13	118801306/0	1	Support	
14	2112140	1	Screw	
15	2135060	2	Screw	
21	183869073/0	1	Assy Transm. Tube+Flex	
22	123020038/0	1	Trasmission Shaft	
31	118801337/0	1	Clamp	
32	2112030	2	Screw	
33	118801335/0	1	Safety Lever ,Red	
34	118801336/0	1	Throttle Lever,Red	
35	118801334/0	1	Spring	
36	118801332/0	1	Right Handgrip,White	
37	112735105/0	4	Screw	
38	118801362/0	1	Wire Ass.Y	
40	118801333/0	1	Spring	
41	118801329/0	1	Stop Knob,Red	
43	118801330/0	1	Stop Plate	
44	118801338/0	1	Spring	
45	118801363/0	1	Stop Wire	
46	118801331/0	1	Left Handgrip,White	
47	118801364/0	1	Cap	
48	118801365/0	1	Grommet	
49	118801366/0	2	Grommet	
50	118801322/0	1	Earth Cable	
51	118801367/0	1	Left Handgrip	
52	118801368/0	1	Handle	
53	112760510/0	1	Screw	
54	118801573/0	2	Screw	
55	118801355/0	1	Upper Handgrip Support	
56	118801356/1	1	Lower Handgrip Support	
57	118801353/1	1	Transmission Housing	
58	118801358/0	4	Shock Absorber	
59	118801359/0	2	Bracket	
60	118801360/0	2	Bracket	
61	112727796/0	4	Screw	
62	118801357/0	1	Transmission Housing	
63	2135030	4	Screw	
64	112728526/0	4	Screw	
65	118801361/0	2	Reduction	
71	118801312/1	1	Harness	



B 28 D				Cutting parts
POS	CODE	Q.TY	DESCRIPTION	NOTES
1	183820507/0	1	Gear Case Assy	
6	112727801/0	1	Screw	
7	112789000/0	4	Screw	
8	112727794/0	1	Screw	
10	123670002/0	1	Guard	
15	123250002/0	1	Upper Ring Nut	
16	123250003/0	1	Lower Ring Nut	
18	123120015/0	1	Nut	
21	123784012/0	1	Support	
22	2135050	2	Screw	
23	2135180	1	Screw	
24	118801341/0	1	Safety Cover, Black	
25	112735654/0	4	Screw	
26	118801342/0	1	Guard, Black	
27	112728099/1	2	Screw	
28	123311013/0	1	Line Cutter	
31	123155009/0	1	2 Hedges Nylon Head	
32	123155010/0	1	3 Teeth Disc	