

ATTIX 30 PC and XC

Model:

ATTIX 30-01

ATTIX 30-11 PC

ATTIX 30-21 PC

ATTIX 30-21 XC



Part List US-English

06-05-2011

Nilfisk
ALTO
works for you

www.nilfisk-alto.com

Table of Contents

ATTIX 30 PC and XC

Cabinet Push Clean & Basic & XC	3
Filtersystem Push Clean & Basic	6
Filtersystem XC	8
Motor Basic and Push Clean	10
Motor XC	12
Container ATTIX 30	14
Default accessories	16
RECOMMENDED SPARE PARTS	18

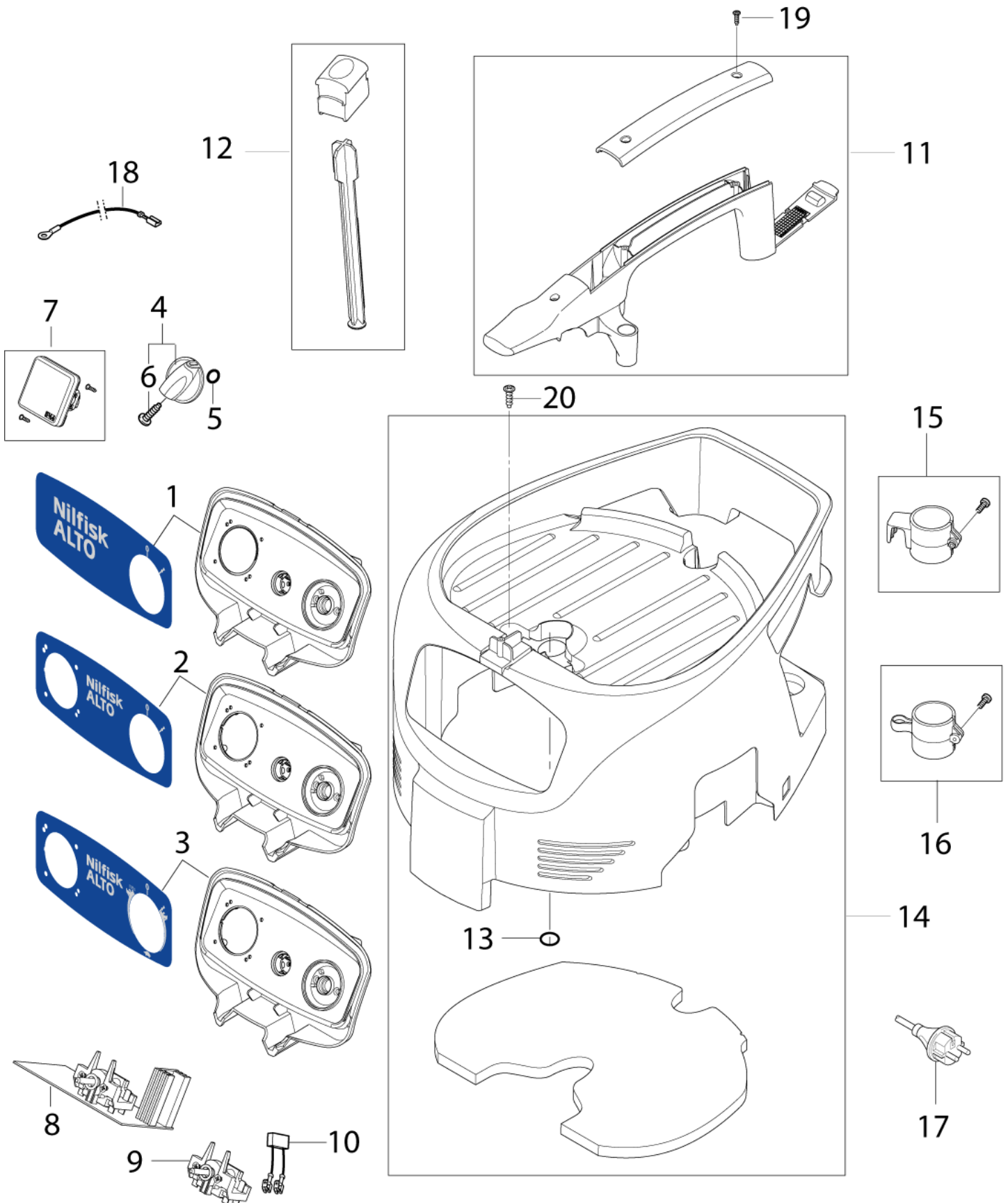
Cabinet Push Clean & Basic & XC

ATTIX 30 PC and XC

06-05-2011

Part List ID
ATTIX3002

3



Cabinet Push Clean & Basic & XC

ATTIX 30 PC and XC

06-05-2011

Part List ID
ATTIX3002

4

Pos	Part no.	Qty	Description	EA	EAN
0	302003502	1	BOX KIT ATTIX 30		4005337140
0	302003503	1	BOX KIT ATTIX 40		4005337140
1	302004047	1	SWITCHBOX NILFISK-ALTO 01PC		4005337148
2	302004048	1	SWITCHBOX NILFISK-ALTO 11PC		4005337148
3	302004049	1	SWITCHBOX NILFISK-ALTO 21PC	for Push clean and XC	4005337148
4	909100204	1	ROTARY KNOB 6X5 BLUE		4005337689
5	9868	1	O RING DIA 10X2,5		4005337098
6	32526	1	TREAD-CUTTING SCREW 2.9X19 C ISO 1483 ZN		4005337325
7	107400057	1	SOCKET 16A/110V GB		4005337148
7	107400058	1	SOCKET 16A/250V GB		4005337148
7	107400059	1	SOCKET 16A/250V CH		4005337148
7	107400060	1	SOCKET 16A/250V DK		4005337148
7	302004034	1	SOCKET 16A/250V EU		4005337147
7	302004036	1	SOCKET 16A/250V FR		4005337147
7	302004338	1	SOCKET 15A/125V US/CSA		7319519675
8	107400260	1	AUTO ON-OFF PCB XC 230-240V	230-240V	4005337152
8	107400261	1	AUTO ON-OFF PCB XC 100-120V	100-120V	4005337152
8	302004011	1	AUTO ON-OFF SWITCH ELECTRONIC	for -21 PC	4005337147
8	302004060	1	AUTO ON-OFF SWITCH E.SOFTSTART	for -11 PC & -01 PC with softstart	4005337148
9	302004035	1	ON-OFF SWITCH	for -01 PC without softstart	4005337147
10	48338	1	ANTI-INTERFERENCE CAPACITOR		4005337483
11	107400062	1	HANDLE	for Push clean	4005337148
11	302004050	1	HANDLE	Basic/XC	4005337148
12	302004051	1	FILTER DEDUSTER	Only Push Clean models	4005337148
13	302004061	1	O-RING 25X2 NBR 70		4005337148
14	107400061	1	COVER BLACK XC BASIC		4005337148
14	302004046	1	COVER BLACK PC		4005337148
15	302004027	1	TUBE HOLDER HOOK		4005337147
16	107400064	1	TUBE HOLDER SNAP		4005337148
17	107400266	1	CORD H05RR-F 2X0.75 CH		4005337153
17	107400267	1	CORD H05RR-F 3G1.0 CH		4005337153
17	107400268	1	CORD H05RR-F 2X0.75 GB		4005337153
17	107400270	1	CORD H05RR-F 3G1.5 BS1 363 GB		4005337153
17	107400271	1	CORD H07BQ-F 3G2.5 GB		4005337153
17	107400272	1	CORD H05RR-F 3G1.5 ZA		4005337153
17	107400273	1	CORD H05RR-F 2X0.75 EU		4005337153
17	107402642	1	POWER CORD H05RR-F 3G1.0X8.2		7319519682
17	302000882	1	POWER CORD SJTW-AWG16/3X8		4005337030
17	302004014	1	CORD H07RN-F2X1X8.05 CEE7 EU		4005337147
17	302004037	1	CORD H05RR-F 3G1.5 CEE7/VII EU		4005337147
17	302004038	1	POWER CORD H07RN-F2X1X8.05		4005337147
17	302004039	1	CORD H05RR-F3GX0.75AS3112 A UNZ		4005337147

Cabinet Push Clean & Basic & XC

ATTIX 30 PC and XC

06-05-2011

Part List ID
ATTIX3002

5

Pos	Part no.	Qty	Description	EAN
17	302004040	1	CORD SJTW-A AWG16/2 JP	4005337148
18	107400263	1	WIRE 2.5 X 250 YE/GR 100-120V	4005337153
18	107400264	1	WIRE 1 X 150 220-240V	4005337153
19	302004032	1	SCREW 3.5X18	4005337147
20	302004029	1	SCREW 5X18	4005337147

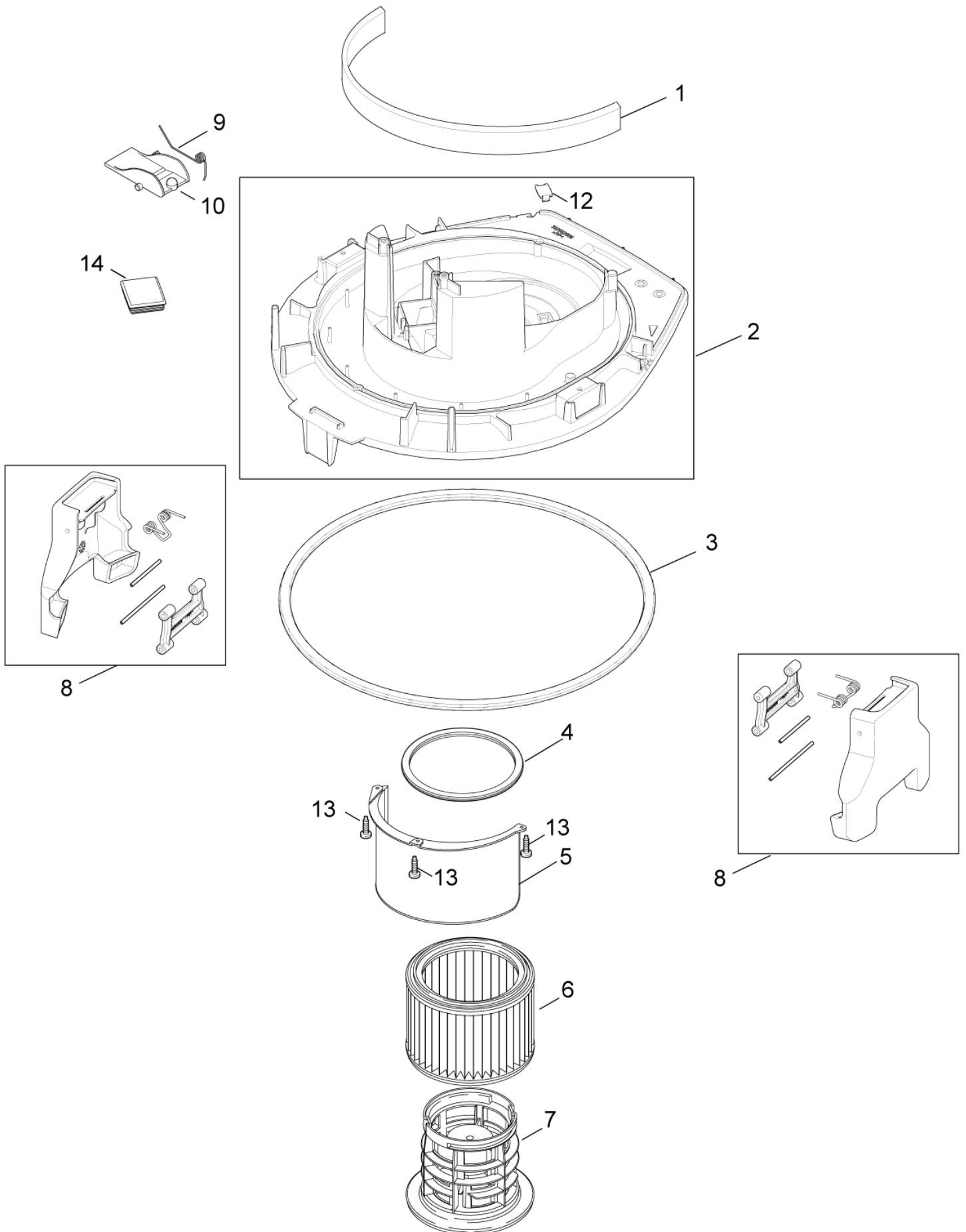
Filtersystem Push Clean & Basic

ATTIX 30 PC and XC

06-05-2011

Part List ID
ATTIX3003

6



Filtersystem Push Clean & Basic

ATTIX 30 PC and XC

06-05-2011

Part List ID
ATTIX3003

7

Pos	Part no.	Qty	Description		EAN
1	302004010	1	SOUND INSULATION FRONT		4005337147
2	302004007	1	BASEPLATE PC		4005337147
3	107400056	1	GASKET FOR CONTAINER	ATTIX 50	4005337148
3	302004008	1	GASKET FOR CONTAINER	ATTIX 30	4005337147
4	302000460	1	GASKET FILTER		4005337136
5	302004016	1	DEFLECTOR		4005337147
6	302000490	1	FILTER ELEMENT D185X140 PET M-CLASS		4005337682
6	302001095	1	FILTER ELEMENT D185X140 HEPA	HEPA	4005337035
7	107402646	1	FILTER SUPPORT CAGE ATTIX PP		7319519682
8	107400301	2	CONTAINER CLAMP	* SEE NOTE	7319519674
9	909100083	1	TORSION SPRING D0.9X18X45 INOX		4005337679
10	302000344	1	FLAP 79X53X25 ATTIX 30		4005337674
12	107401937	1	PLUG BASE PLATE KIT		7319519678
13	302004029	1	SCREW 5X18		4005337147
14	302004058	1	PLUG FOR BASIC		4005337148

* NOTE TSB Vac-092 clamp and container

For machines produced before serial number 09110030030 use Container upgrade kit 107400311, ATTIX 30 or 107400312, ATTIX 50

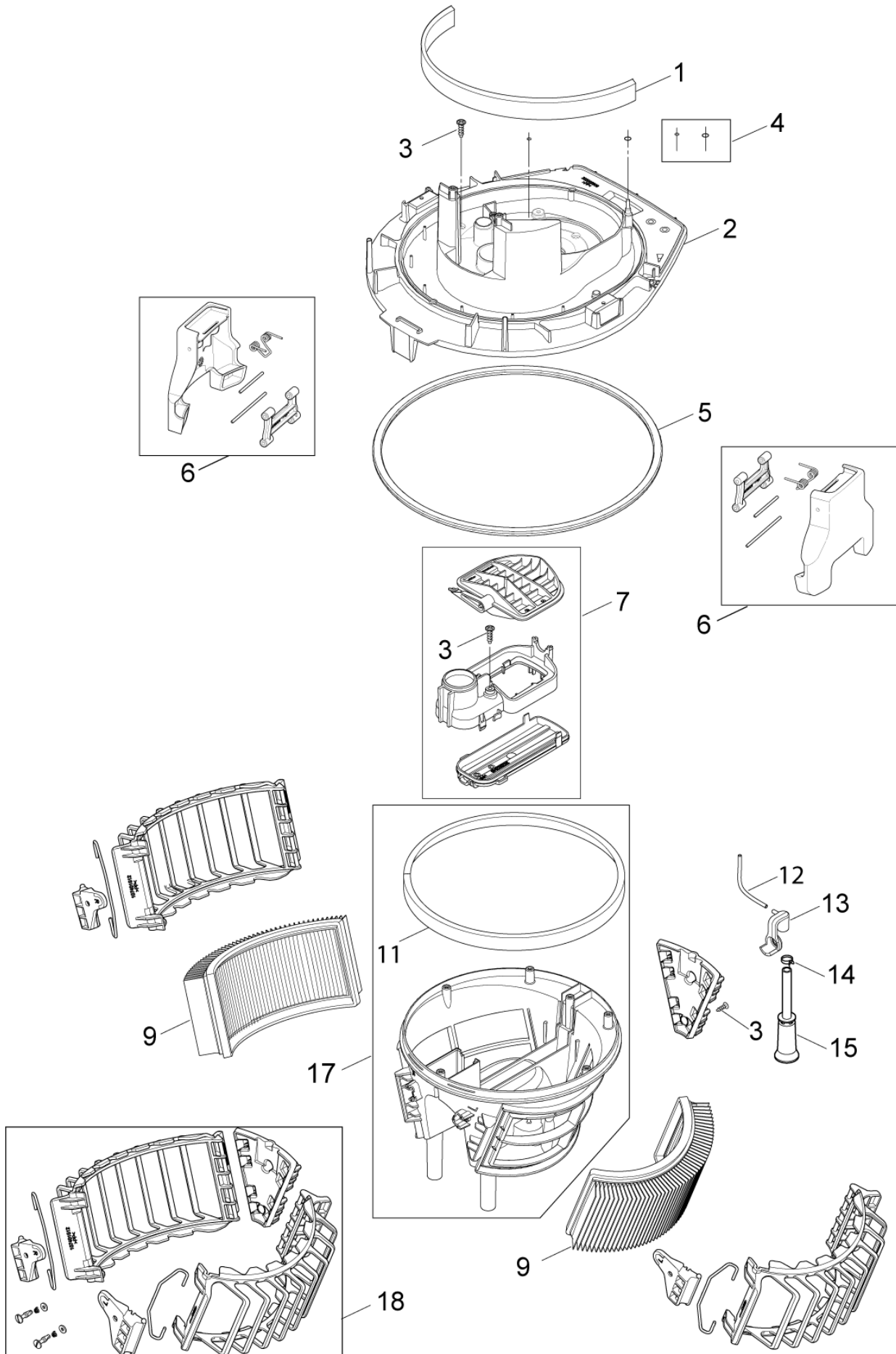
Filtersystem XC

ATTIX 30 PC and XC

06-05-2011

Part List ID
ATTIX3050XC10

8



Filtersystem XC

ATTIX 30 PC and XC

06-05-2011

Part List ID
ATTIX3050XC10

9

Pos	Part no.	Qty	Description	EAN
1	302004010	1	SOUND INSULATION FRONT	4005337147
2	107400300	1	BASEPLATE XC	7319519674
3	302004029	9	SCREW 5X18	4005337147
4	107400274	1	O-RING XC KIT	4005337153
5	107400056	1	GASKET FOR CONTAINER	ATTIX 50 4005337148
5	302004008	1	GASKET FOR CONTAINER	ATTIX 30 4005337147
6	107400301	2	CONTAINER CLAMP	7319519674
7	107400277	1	CX FLAP KIT	4005337153
9	302002842	2	FLAT FILTER PET NANO M-CLASS SET 2 PCS	5715492039
11	107400283	1	SEALING FOR XC	4005337153
12	107400855	1	HOSE D3X1.5 TURBINE SIDE XC	7319519674
13	107400310	1	MOUNT FOR WATERLEVEL CONTROL	7319519675
14	107400285	1	BAND CLAMP FITTING	4005337153
15	107400303	1	HOSE D42X155 FILL LEV. SHUTOFF	7319519674
17	107400302	1	FILTERBRACKET XC	7319519674
18	107402255	1	FILTER MOUNTING KIT XC	7319519680

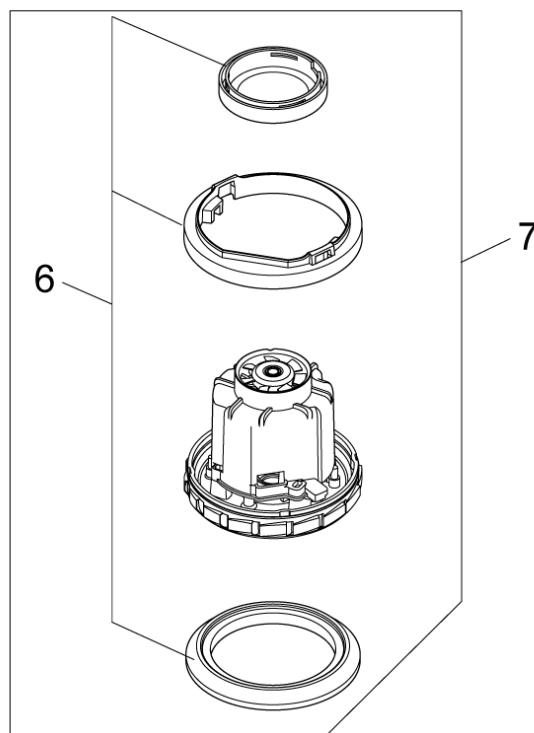
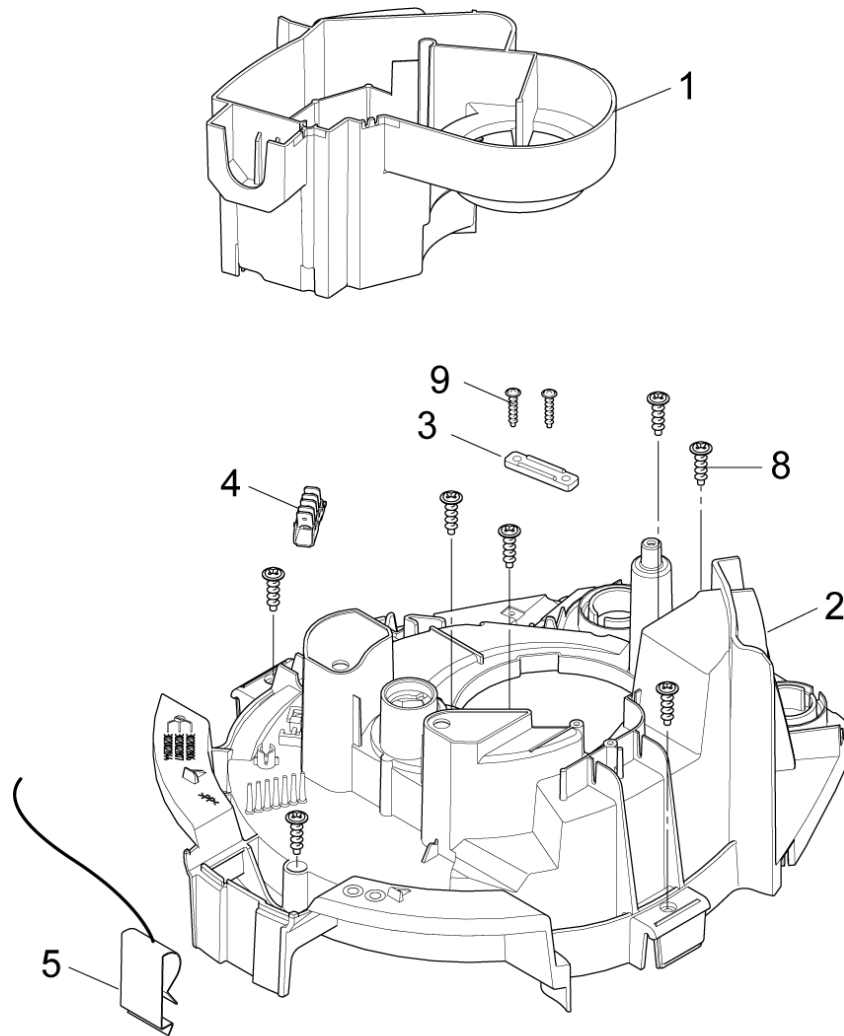
Motor Basic and Push Clean

ATTIX 30 PC and XC

06-05-2011

Part List ID
ATTIX3005

10



Motor Basic and Push Clean

ATTIX 30 PC and XC

06-05-2011

Part List ID
ATTIX3005

11

Pos	Part no.	Qty	Description	EAN
1	302004015	1	AIRGUIDE * See note	4005337147
2	302004009	1	CLAMPINGPLATE PC	4005337147
3	302004030	1	STRAP FOR CABLE	4005337147
4	302004031	1	DISTRIBUTION STRIP 6-POL 16A	4005337147
5	302004023	1	CONTACT SPRING	4005337147
6	302003385	1	SEALING KIT R	4005337136
7	302003384	1	MOTOR KIT 1200W 230V	4005337136
7	302003388	1	MOTOR KIT 1000W 120V	4005337136
7	302004006	1	MOTOR 1200W/100V JP W.GASKET	4005337147
8	302004029	1	SCREW 5X18	4005337147
9	302004032	1	SCREW 3.5X18	4005337147
10	302004045	1	SOUND INSULATION OUTLET	4005337148

* Note: During service or repair of vacuum head alw ays change Airguide 302004015 and Cover for air circuit 107401051

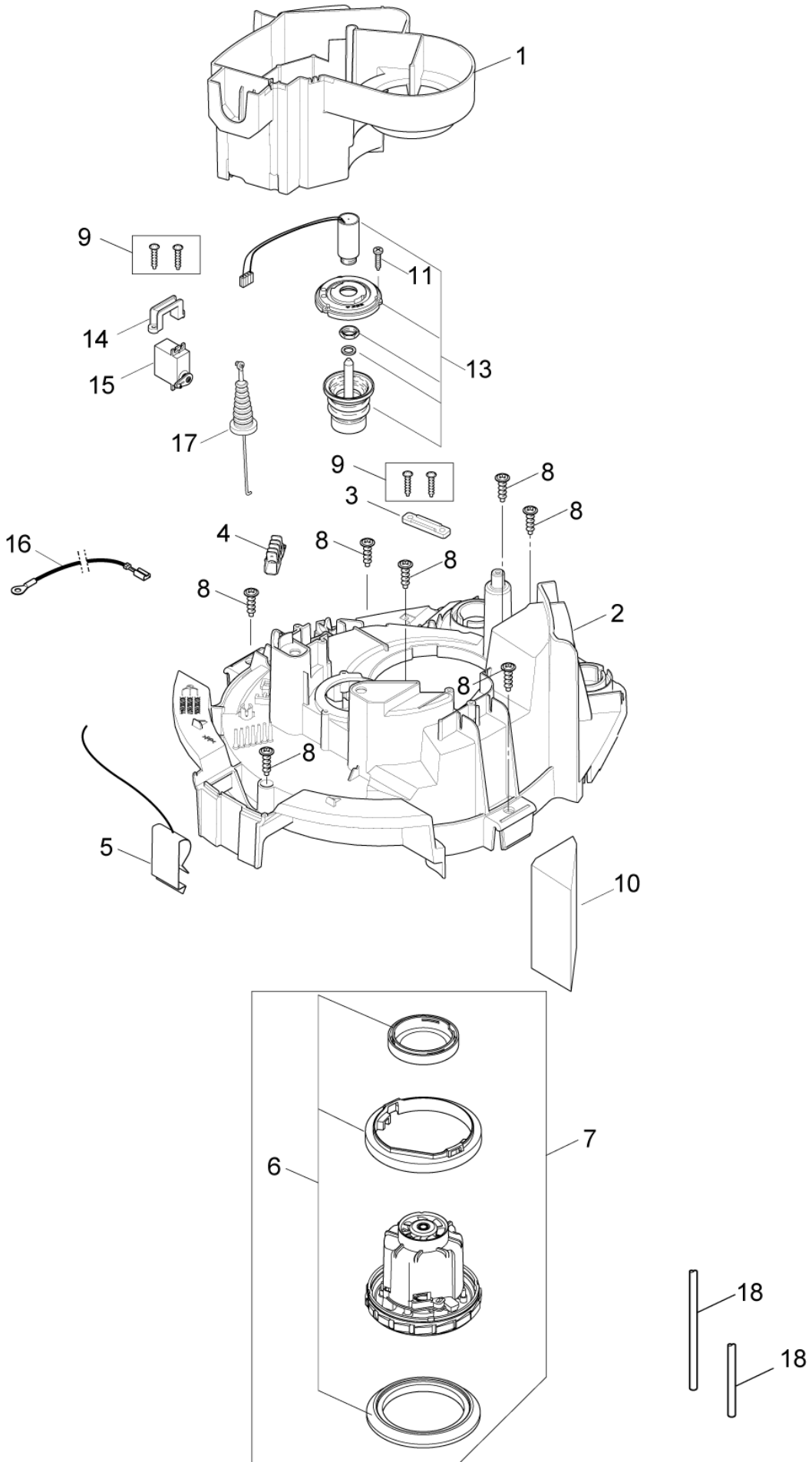
Motor XC

ATTIX 30 PC and XC

06-05-2011

Part List ID
ATTIX3007

12



Motor XC

ATTIX 30 PC and XC

06-05-2011

Part List ID
ATTIX3007

13

Pos	Part no.	Qty	Description	EAN
1	302004015	1	AIRGUIDE * See note	4005337147
2	107400287	1	CLAMPINGPLATE XC	4005337153
3	302004030	1	STRAP FOR CABLE	4005337147
4	302004031	1	DISTRIBUTION STRIP 6-POL 16A	4005337147
5	302004023	1	CONTACT SPRING	4005337147
6	302003385	1	SEALING KIT R	4005337136
7	302003384	1	MOTOR KIT 1200W 230V	4005337136
7	302004006	1	MOTOR 1200W/100V JP W.GASKET	4005337147
8	302004029	1	SCREW 5X18	4005337147
9	302004032	1	SCREW 3.5X18	4005337147
10	302004045	1	SOUND INSULATION OUTLET	4005337148
11	302003319	3	SCREW KIT ATTIX/IVB	4005337140
13	107400291	1	MAGNET 230V	4005337153
13	107400292	1	MAGNET 110V	4005337153
14	107400289	1	SERVO BRACKET	4005337153
15	107400290	1	SERVO FOR XC	4005337153
16	107400262	1	WIRE 1X200 YELLOW/GREEN	4005337153
17	107400276	1	SERVO WIRE XC	4005337153
18	107400309	2	HOSE D3X1.5 TURBINE SIDE XC	7319519675

* Note: During service or repair of vacuum head alw ays change Airguide 302004015 and Cover for air circuit 107401051

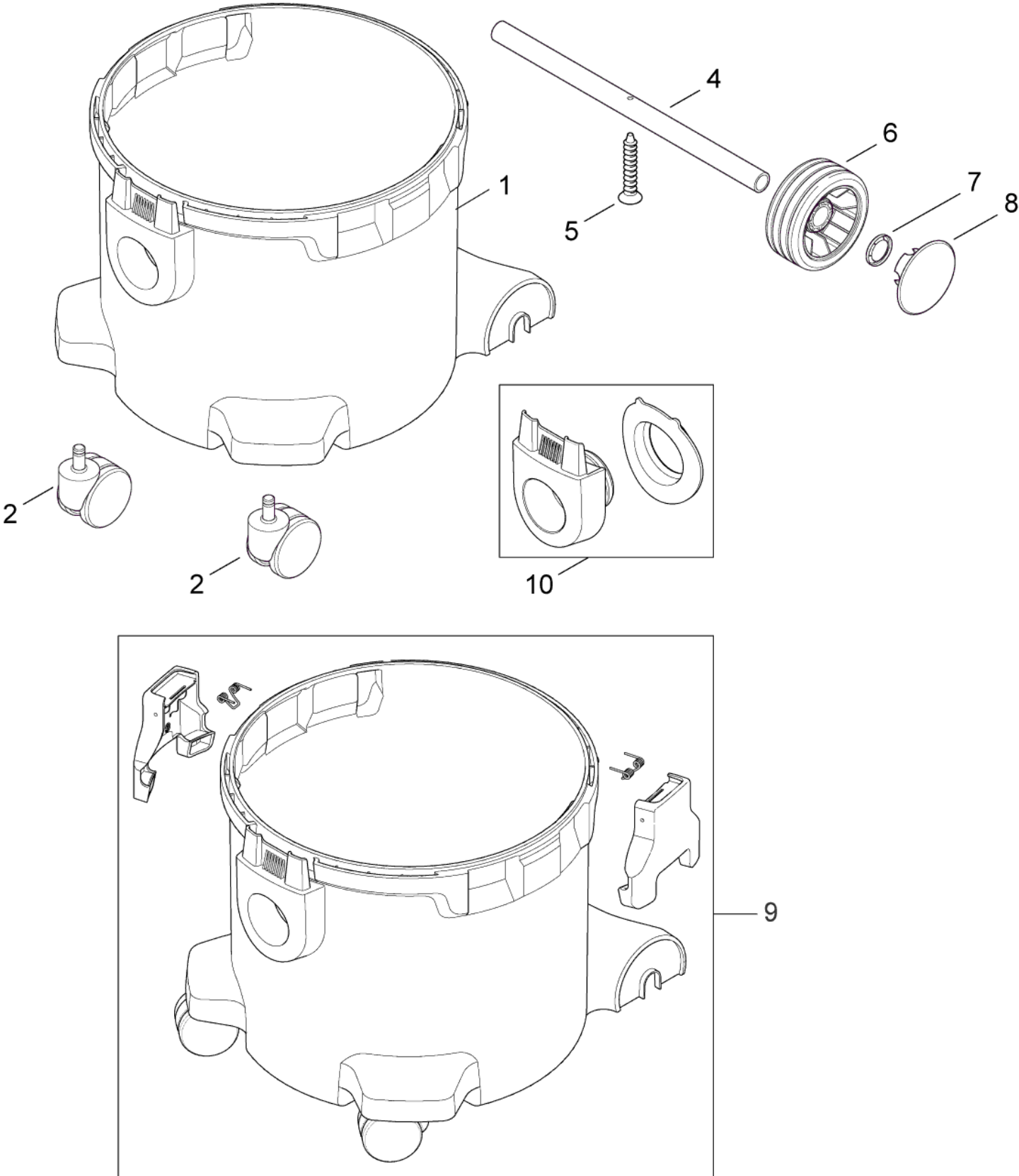
Container ATTIX 30

ATTIX 30 PC and XC

06-05-2011

Part List ID
ATTIX3008

14



Container ATTIX 30

ATTIX 30 PC and XC

06-05-2011

Part List ID
ATTIX3008

15

Pos	Part no.	Qty	Description	EAN
1	107400304	1	CONTAINER WITH FITTING ATTIX30	7319519674
			* SEE NOTE	
2	46298	2	GUIDE ROLLER Ø 60	4005337462
4	302004022	1	WHEEL AXLE	4005337147
5	107400063	1	SCREW 5X35	4005337148
6	302000465	2	WHEEL D100X20	4005337682
7	47302	2	CLAMPING RING 28.6 20	4005337473
8	302000681	2	HUB CAP	4005337690
9	107400311	1	CONTAINER KIT ATTIX 30	7319519675
			* SEE NOTE	
10	107402742	1	INLET - KIT FOR ATTIX 30/50	7319519684

* NOTE TSB Vac-092 clamp and container

For machines produced before serial number 09110030030 use Container upgrade kit 107400311

Default accessories

ATTIX 30 PC and XC

06-05-2011

Part List ID
ATTIX3010

16

No Drawing For Part List

Default accessories

ATTIX 30 PC and XC

06-05-2011

Part List ID
ATTIX3010

17

Pos	Part no.	Qty	Description	EAN
-	107400032	1	EXTENSION TUBE D36 2X500MM ALU	4005337147
-	14295	1	UNIVERSAL NOZZLE D36X115	4005337142
-	15325	1	AS HOSED27X3500 WITH TOOL A	4005337153
-	15546	1	Exten tube Ø36 2x500mm SS	4005337155
-	302000473	1	UNIV HOSE WITH HAND TUBED36X	4005337682
-	302000477	1	COMBI NOZZLE 260XØ36MM	4005337682
-	302000490	1	FILTER ELEMENT D185X140 PET M-CLASS	4005337682
-	302000529	1	EXTEN TUBE 36 2X500MM CR	4005337021
-	302003666	1	INDST.FL.NOZZ.36X400MM W/BRUS.	4005337144
-	302004000	1	FLEECE FILTER BAG 30 SET 5pcs	4005337144
-	46691	1	CURVED HAND TUBE Ø 36MM SS	4005337466
-	46948	1	UNIV HOSED36X3000MM FOR	4005337469
-	5146	1	BRUSH NOZZLE 70XØ36MM	4005337051
-	6084	1	CREVICE NOZZLE 300XØ36 MM	4005337060
-	6086	1	BRUSH NOZZLE LONG 230XØ36	4005337060
-	60916	1	TOOL SOCKET D27/35/38	4005337609
-	7270	1	NOZZLE 300XØ36MM	4005337072
0	107400079	1	AIRBOX 230V 50 HZ EU	7319519671
	107400453	1	FILTER FOR MOTOR COOLING 30/40/50	5715492044
	302000528	1	CURVED HAND TUBE D36MM CR	4005337683
	302003717	1	EXHAUST AIR COLLECTOR	4005337144
	302003721	1	MOTOR COOLING FILTER KIT	4005337159
0	302003796	1	Replacement brush strips, set of 2 pcs.	For floor nozzle 302003666 5715492039
0	302003797	1	Replacement rubber lips, set of 2 pcs.	For floor nozzle 302003666 5715492039

RECOMMENDED SPARE PARTS

ATTIX 30 PC and XC

06-05-2011

Part List ID

ATTIX3012

18

No Drawing For Part List

RECOMMENDED SPARE PARTS

ATTIX 30 PC and XC

06-05-2011

Part List ID
ATTIX3012

19

Pos	Part no.	Qty	Description		EAN
1	107400056	1	GASKET FOR CONTAINER	ATTIX 50	4005337148
1	107400057	1	SOCKET 16A/110V GB		4005337148
1	107400058	1	SOCKET 16A/250V GB		4005337148
1	107400059	1	SOCKET 16A/250V CH		4005337148
1	107400060	1	SOCKET 16A/250V DK		4005337148
1	107400064	1	TUBE HOLDER SNAP		4005337148
1	107400260	1	AUTO ON-OFF PCB XC 230-240V	230-240V	4005337152
1	107400261	1	AUTO ON-OFF PCB XC 100-120V	100-120V	4005337152
1	107400266	1	CORD H05RR-F 2X0.75 CH		4005337153
1	107400267	1	CORD H05RR-F 3G1.0 CH		4005337153
1	107400268	1	CORD H05RR-F 2X0.75 GB		4005337153
1	107400270	1	CORD H05RR-F 3G1.5 BS1 363 GB		4005337153
1	107400271	1	CORD H07BQ-F 3G2.5 GB		4005337153
1	107400272	1	CORD H05RR-F 3G1.5 ZA		4005337153
1	107400273	1	CORD H05RR-F 2X0.75 EU		4005337153
1	107400276	1	SERVO WIRE XC		4005337153
1	107400277	1	CX FLAP KIT		4005337153
1	107400283	1	SEALING FOR XC		4005337153
1	107400287	1	CLAMPINGPLATE XC		4005337153
1	107400290	1	SERVO FOR XC		4005337153
1	107400291	1	MAGNET 230V		4005337153
1	107400292	1	MAGNET 110V		4005337153
1	107400300	1	BASEPLATE XC		7319519674
1	107400301	1	CONTAINER CLAMP	SEE NOTE*	7319519674
1	107400304	1	CONTAINER WITH FITTING ATTIX30	SEE NOTE*	7319519674
1	107400307	1	FILTER CLAMP XC RIGHT KIT-1		7319519674
1	107400309	1	HOSE D3X1.5 TURBINE SIDE XC		7319519675
1	107400311	1	CONTAINER KIT ATTIX 30	SEE NOTE*	7319519675
1	107400449	1	FLAT FILTER H-CLASS SET 2 PCS		5715492044
1	107400496	1	H-FILTER BRACKET XC KIT-1		7319519671
1	107402255	1	FILTER MOUNTING KIT XC		7319519680
1	107402642	1	POWER CORD H05RR-F 3G1.0X8.2		7319519682
1	302000460	1	GASKET FILTER		4005337136
1	302000465	1	WHEEL D100X20		4005337682
1	302000490	1	FILTER ELEMENT D185X140 PET M-CLASS		4005337682
1	302000882	1	POWER CORD SJTW-AWG16/3X8		4005337030
1	302001095	1	FILTER ELEMENT D185X140 HEPA	HEPA	4005337035
1	302002842	1	FLAT FILTER PET NANO M-CLASS SET 2 PCS		5715492039
1	302003384	1	MOTOR KIT 1200W 230V		4005337136

* NOTE TSB Vac-092 clamp and container

For machines produced before serial number 09110030030 use Container upgrade kit 107400311, ATTIX 30 or 107400312, ATTIX 50

** NOTE: During service or repair of vacuum head always change Airguide 302004015 and Cover for air circuit 107401051

RECOMMENDED SPARE PARTS

ATTIX 30 PC and XC

06-05-2011

Part List ID
ATTIX3012

20

Pos	Part no.	Qty	Description	EAN
1	302003385	1	SEALING KIT R	4005337136
1	302003388	1	MOTOR KIT 1000W 120V	4005337136
1	302004000	1	FLEECE FILTER BAG 30 SET 5pcs	4005337144
1	302004006	1	MOTOR 1200W/100V JP W.GASKET	4005337147
1	302004007	1	BASEPLATE PC	4005337147
1	302004008	1	GASKET FOR CONTAINER	4005337147
			ATTIX 30	
1	302004009	1	CLAMPINGPLATE PC	4005337147
1	302004011	1	AUTO ON-OFF SWITCH ELECTRONIC	4005337147
			FOR -21 PC	
1	302004014	1	CORD H07RN-F2X1X8.05 CEE7 EU	4005337147
1	302004015	1	AIRGUIDE	4005337147
			SEE NOTE**	
1	302004023	1	CONTACT SPRING	4005337147
1	302004027	1	TUBE HOLDER HOOK	4005337147
1	302004034	1	SOCKET 16A/250V EU	4005337147
1	302004035	1	ON-OFF SWITCH	4005337147
			FOR -01 PC WITHOUT SOFTSTART	
1	302004036	1	SOCKET 16A/250V FR	4005337147
1	302004037	1	CORD H05RR-F 3G1.5 CEE7/VII EU	4005337147
1	302004038	1	POWER CORD H07RN-F2X1X8.05	4005337147
1	302004039	1	CORD H05RR-F3GX0.75AS3112 AUNZ	4005337147
1	302004040	1	CORD SJTW-A AWG16/2 JP	4005337148
1	302004058	1	PLUG FOR BASIC	4005337148
1	302004060	1	AUTO ON-OFF SWITCH E.SOFTSTART	4005337148
			FOR -11 PC & -01 PC WITH SOFTSTART	
1	302004338	1	SOCKET 15A/125V US/CSA	7319519675
1	46298	1	GUIDE ROLLER Ø 60	4005337462
1	47302	1	CLAMPING RING 28.6 20	4005337473
1	909100204	1	ROTARY KNOB 6X5 BLUE	4005337689

* NOTE TSB Vac-092 clamp and container

For machines produced before serial number 09110030030 use Container upgrade kit 107400311, ATTIX 30 or 107400312, ATTIX 50

** NOTE: During service or repair of vacuum head always change Airguide 302004015 and Cover for air circuit 107401051