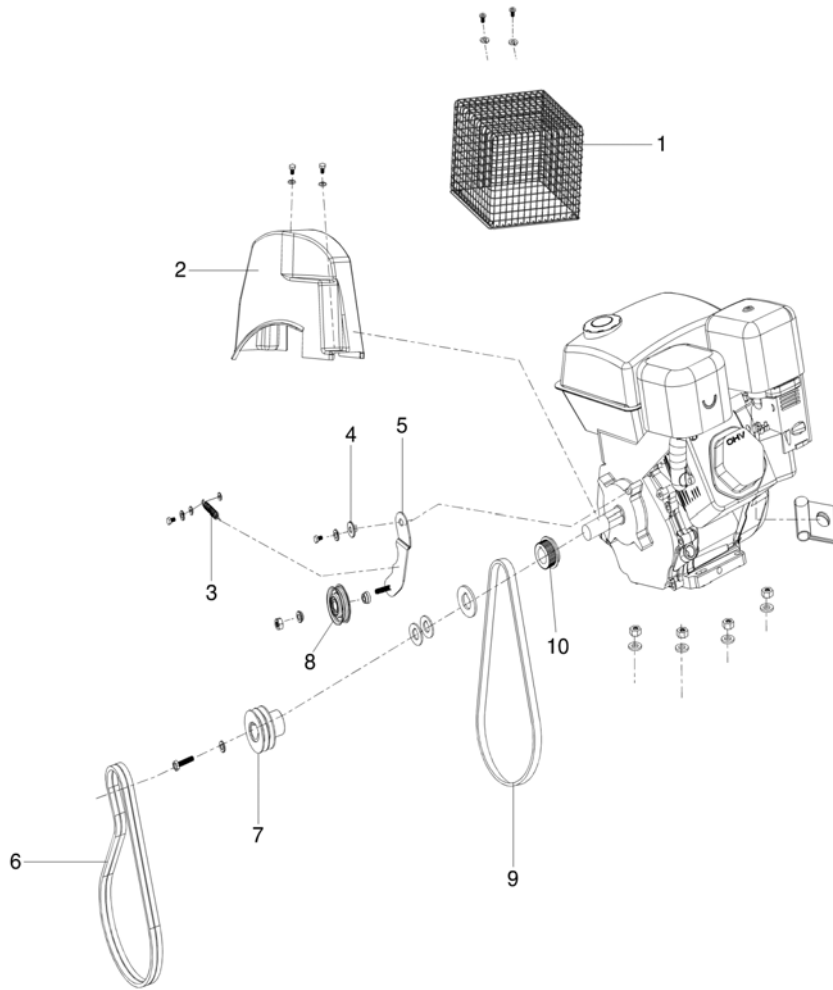
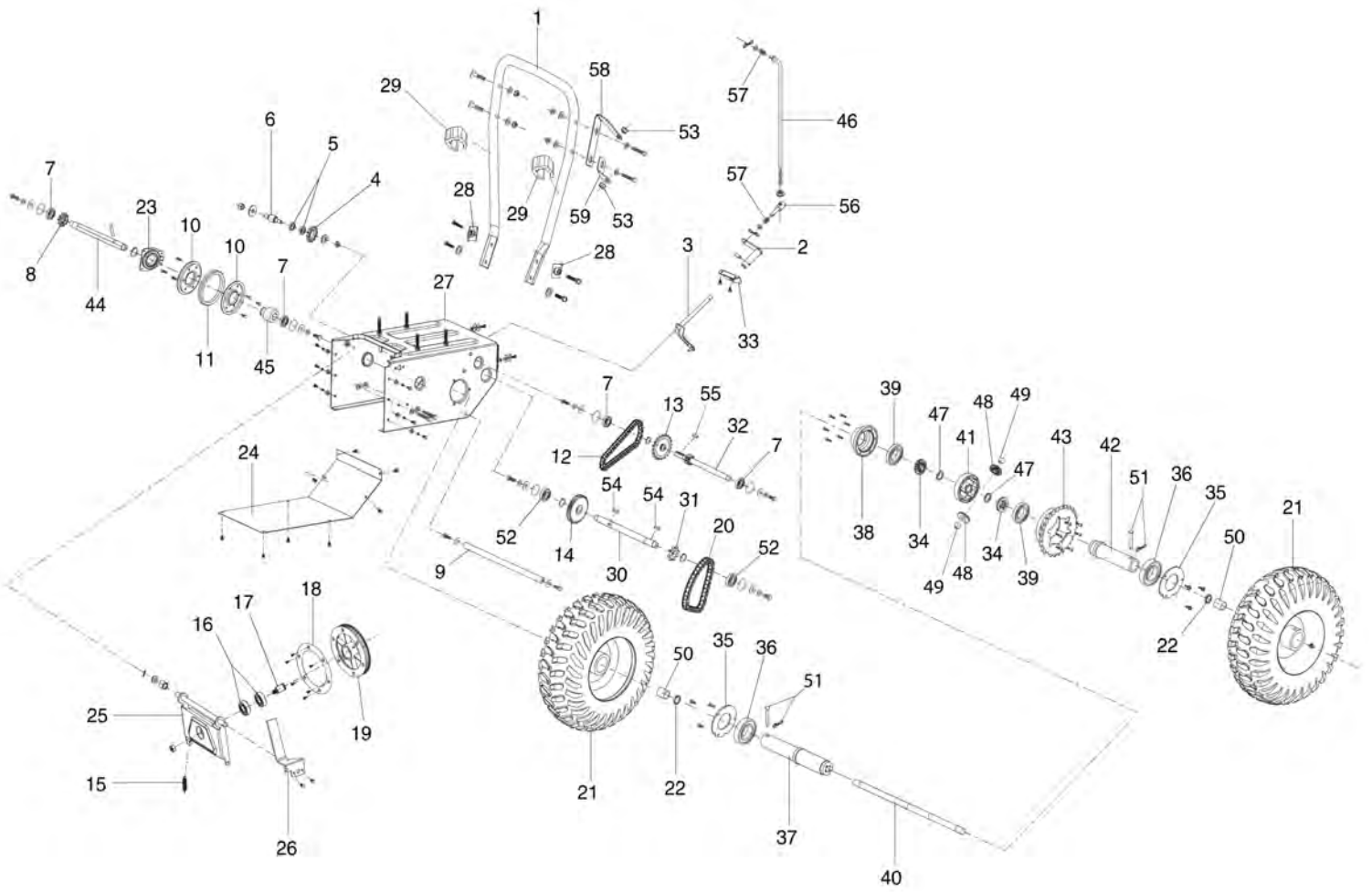


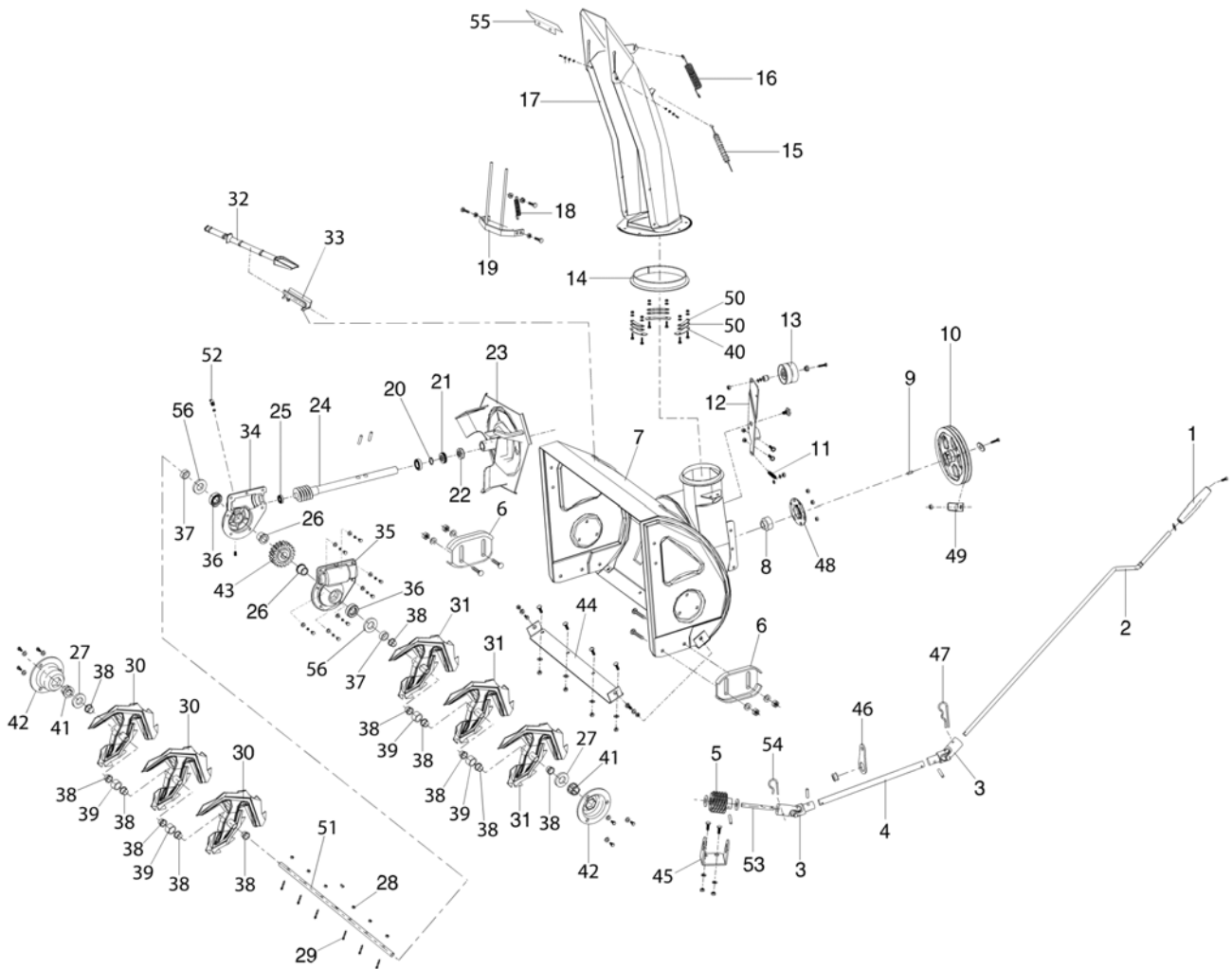
Ref.Nu	Qty	Part number	Description	Validity from	Validity till	Notes	Bulletin
1	2	ZM000070	Handle				
2	1	ZM000071	Handlebar			DX; RIGHT	
3	1	ZM000122	Lever			DX, comando trazione; RH, traction control	
4	1	ZM000123	Cable				
5	1	ZM000124	Spring				
6	1	ZM000074	Lever				
7	2	ZM000075	Knob				
8	1	ZM000304	Plate				
9	1	ZM000079	Plate				
10	1	ZM000080	Headlamp				
11	2	ZM000081	Washer				
12	1	ZM000086	Handle cover				
13	1	ZM000126	Cable				
14	1	ZM000089	Lever			SX, azionamento fresa; LH, operated cutter	
15	1	ZM000127	Handlebar			SX; LEFT	
16	2	ZM000166	Self locking nut			Pezzo set ricambi; Spare parts set	
17	2	ZM000090	Pin			Pezzo set ricambi; Spare parts set	
18	4	ZM000011	Bushing				
19	1	ZM000082	Spring				
20	2	ZM000298	Rubber protection				
21	1	ZM000176	Plate right				
22	1	ZM000084	Extension (lever)				
23	1	ZM000293	Extension (lever)				
24	1	ZM000076	Plate				
25	1	ZM000178	Plate				
26	1	ZM000078	Plate left				
27	1	ZM000077	Spring				
28	1	ZM000303	Plate right				
29	2	ZM000186	Lever				
30	2	ZM000187	Lever				
31	1	ZM000083	Switch				
32	1	ZM000085	Selector				
33	1	ZM000087	Cable				
34	1	ZM000177	Plate left				
35	1	ZM000292	Cable			Cavo impedimento innesto rotore; Rotor engagement safety cable	
36	1	ZM000371	Light wiring				
37	1	ZM000300	Pin				
38	1	ZM000296	Block				
39	1	ZM000372	Wiring				



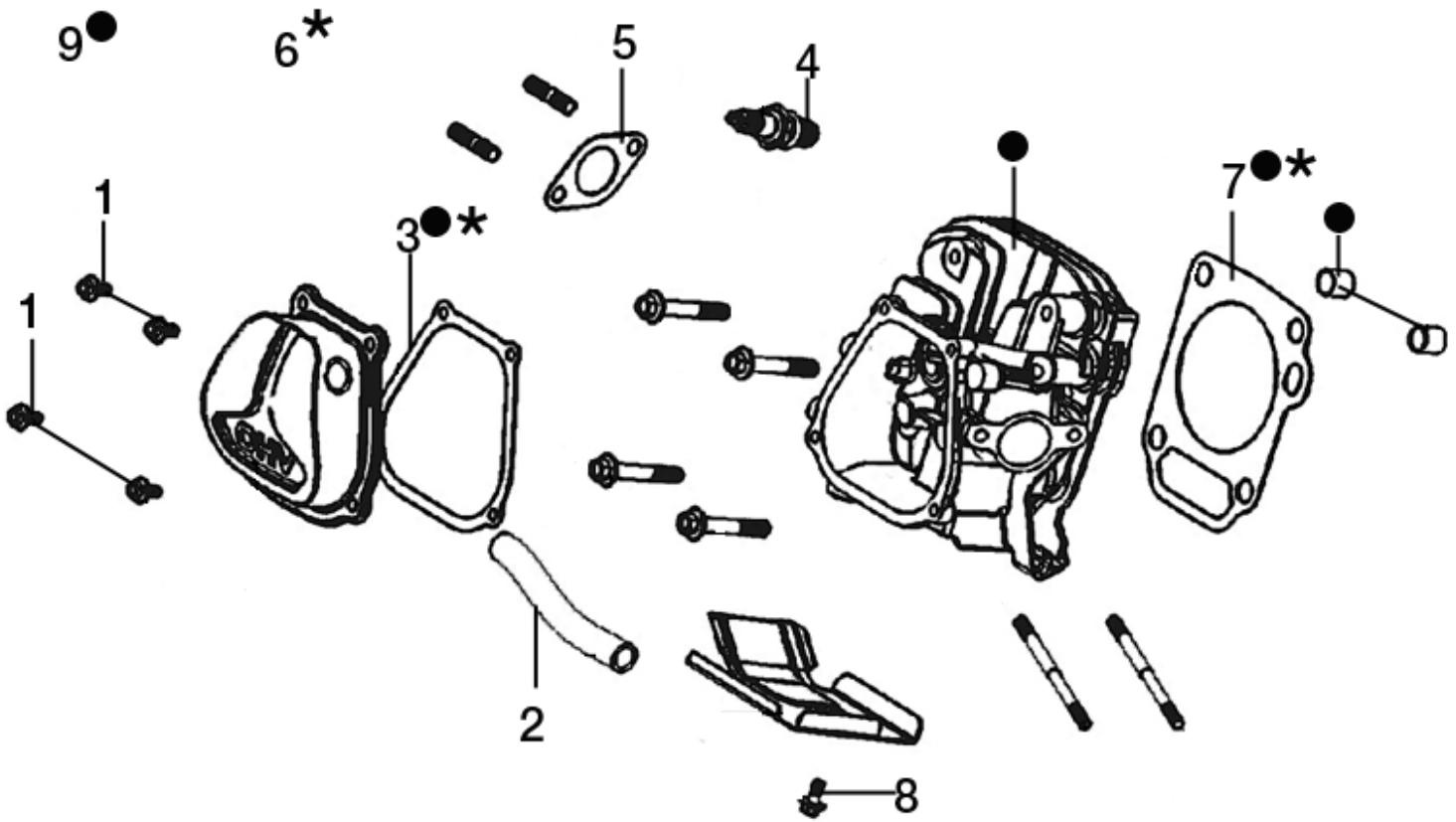
Ref.Nu	Qty	Part number	Description	Validity from	Validity till	Notes	Bulletin
1	2	ZM000128	Guard				
2	1	ZM000129	Belt cover				
3	1	ZM000130	Spring				
4	1	ZM000131	Bushing				
5	1	ZM000095	Support				
6	2	ZM000302	V belt			TRUFLEX G 4LXP960	
7	1	ZM000132	Pulley				
8	1	ZM000013	Pulley				
9	1	ZM000097	Belt				
10	1	ZM000096	Pulley				



Ref.Nu	Qty	Part number	Description	Validity from	Validity till	Notes	Bulletin
1	1	ZM000133	Lower handle				
2	1	ZM000134	Pin (lever)				
3	1	ZM000135	Fork				
4	1	ZM000136	Chain sprocket				
5	2	ZM000137	Bearing				
6	1	ZM000138	Axle				
7	2	ZM000020	Bearing				
8	1	ZM000139	Chain sprocket				
9	1	ZM000140	Axle				
10	2	ZM000024	Flange				
11	1	ZM000023	Rubber ring				
12	1	ZM000141	Chain				
13	1	ZM000142	Rim				
14	1	ZM000143	Gear				
15	1	ZM000144	Spring				
16	1	ZM000369	Support				
17	1	ZM000028	Shaft				
18	1	ZM000145	Wheel cover				
19	1	ZM000029	Wheel				
20	1	ZM000146	Chain				
21	2	ZM000147	Complete wheel				
22	2	ZM000148	Bearing				
23	1	ZM000101	Cover				
24	1	ZM000206	Plate				
25	1	ZM000207	Bracket support				
26	1	ZM000212	Plate (guide)				
27	1	ZM000200	Gear case assy				
28	2	ZM000172	Plate				
29	2	ZM000199	Fairled				
30	1	ZM000204	Shaft				
31	1	ZM000205	Gear				
32	1	ZM000203	Shaft				
33	1	ZM000211	Plate				
34	1	ZM000215	Gear			Ingranaggio planetario ; Crown wheel	
35	2	ZM000209	Disk				
36	2	ZM000201	Bearing				
37	1	ZM000217	Shaft				
38	1	ZM000210	Flange				
39	1	ZM000367	Bearing				
40	1	ZM000208	Shaft				
41	1	ZM000233	Support				
42	1	ZM000250	Shaft				
43	1	ZM000249	Gear				
44	1	ZM000202	Shaft				
45	1	ZM000214	Wheel				
46	1	ZM000370	Rod				
47	2	ZM000232	Spacer				
48	2	ZM000368	Gear			Ingranaggio satellite ; Planet wheel	
49	2	ZM000216	Pin				
50	2	ZM000234	Bushing				
51	2	ZM000235	Pin (locking)				
52	6	ZM000236	Bearing				
53	2	ZM000311	Bush				
54	2	ZM000237	Key				
55	1	ZM000238	Key				
56	1	ZM000185	Adjuster nut				
57	2	ZM000092	Spring				
58	1	ZM000310	Lever support				

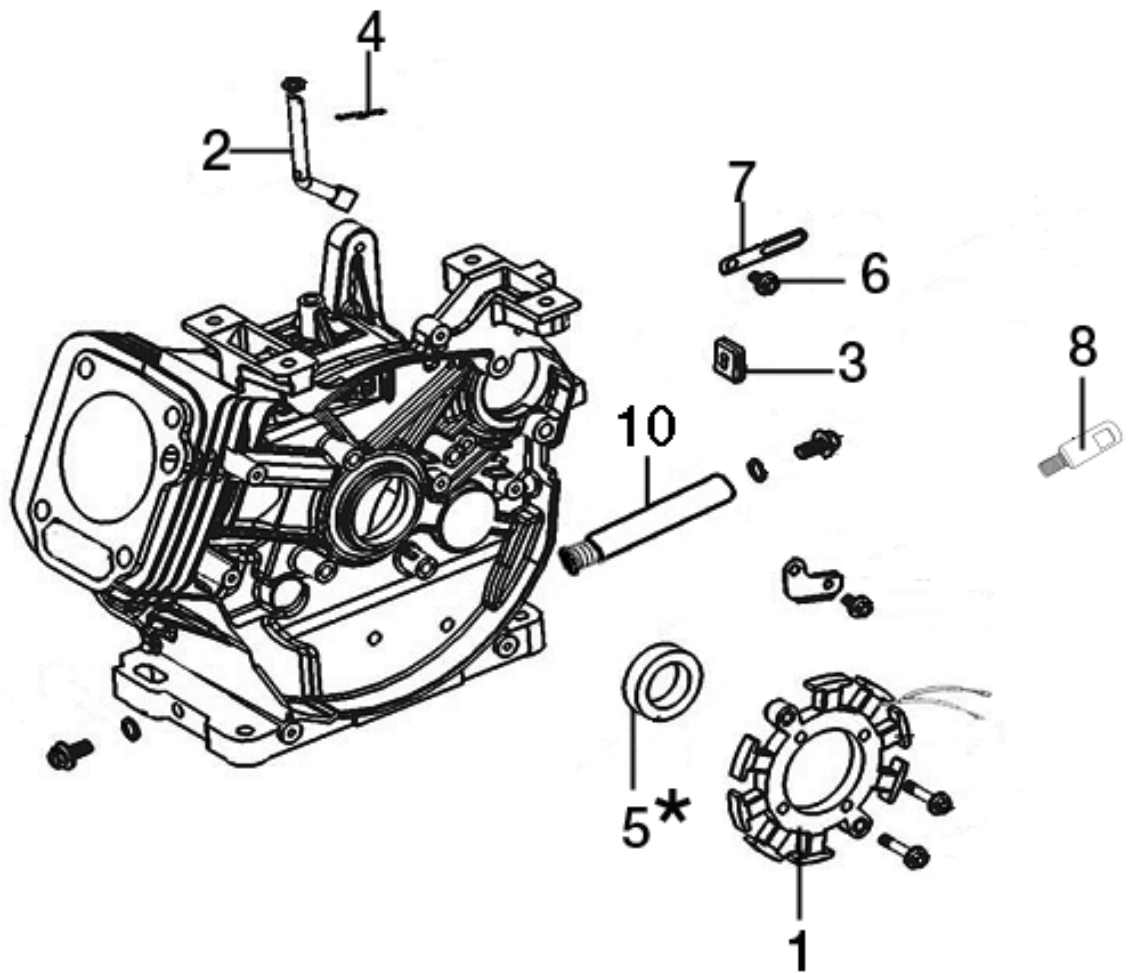


Ref.Nu	Qty	Part number	Description	Validity from	Validity till	Notes	Bulletin
1	1	ZM000149	Knob				
2	1	ZM000150	Rod				
3	2	ZM000151	Cardan				
4	1	ZM000152	Shaft				
5	1	ZM000153	Worm gear				
6	2	ZM000047	Sliding block				
7	1	ZM000154	Deck				
8	1	ZM000155	Bearing				
9	1	ZM000156	Key				
10	1	ZM000157	Pulley				
11	1	ZM000039	Spring				
12	1	ZM000158	Main board				
13	1	ZM000035	Pulley				
14	1	ZM000159	Foot socket				
15	1	ZM000087	Cable				
16	1	ZM000112	Spring				
17	1	ZM000160	Snow chute			Orientabile; Adjustable	
18	1	ZM000065	Spring				
19	1	ZM000066	Bracket				
20	1	ZM000162	Spacer				
21	1	ZM000051	Bearing				
22	1	ZM000163	Seal ring				
23	1	ZM000049	Fan				
24	1	ZM000164	Shaft				
25	2	ZM000054	Bearing				
26	2	ZM000161	Bushing				
27	2	ZM000229	Washer				
28	6	ZM000166	Self locking nut				
29	6	ZM000090	Pin				
30	3	ZM000059	Tiller sx				
31	3	ZM000056	Tiller dx				
32	1	ZM000168	Shovel				
33	1	ZM000169	Shovel support				
34	1	ZM000220	Cover sx				
35	1	ZM000219	Cover dx				
36	2	ZM000116	Gasket				
37	2	ZM000230	Spacer				
38	12	ZM000114	Guard cap				
39	4	ZM000231	Spacer				
40	3	ZM000062	Rail plate				
41	2	ZM000060	Bushing				
42	2	ZM000061	Cover				
43	1	ZM000117	Gear				
44	1	ZM000226	Plate				
45	1	ZM000227	Countershaft support				
46	1	ZM000225	Tube support				
47	1	ZM000223	Cotter pin				
48	1	ZM000042	Cover				
49	1	ZM000224	Pulley				
50	6	ZM000063	Rail plate				
51	1	ZM000228	Shaft				
52	1	ZM000222	Nipple				
53	1	ZM000360	Shaft				
54	1	ZM000362	Cotter pin				
55	1	ZM000361	Gasket				
56	2	ZM000366	Washer				

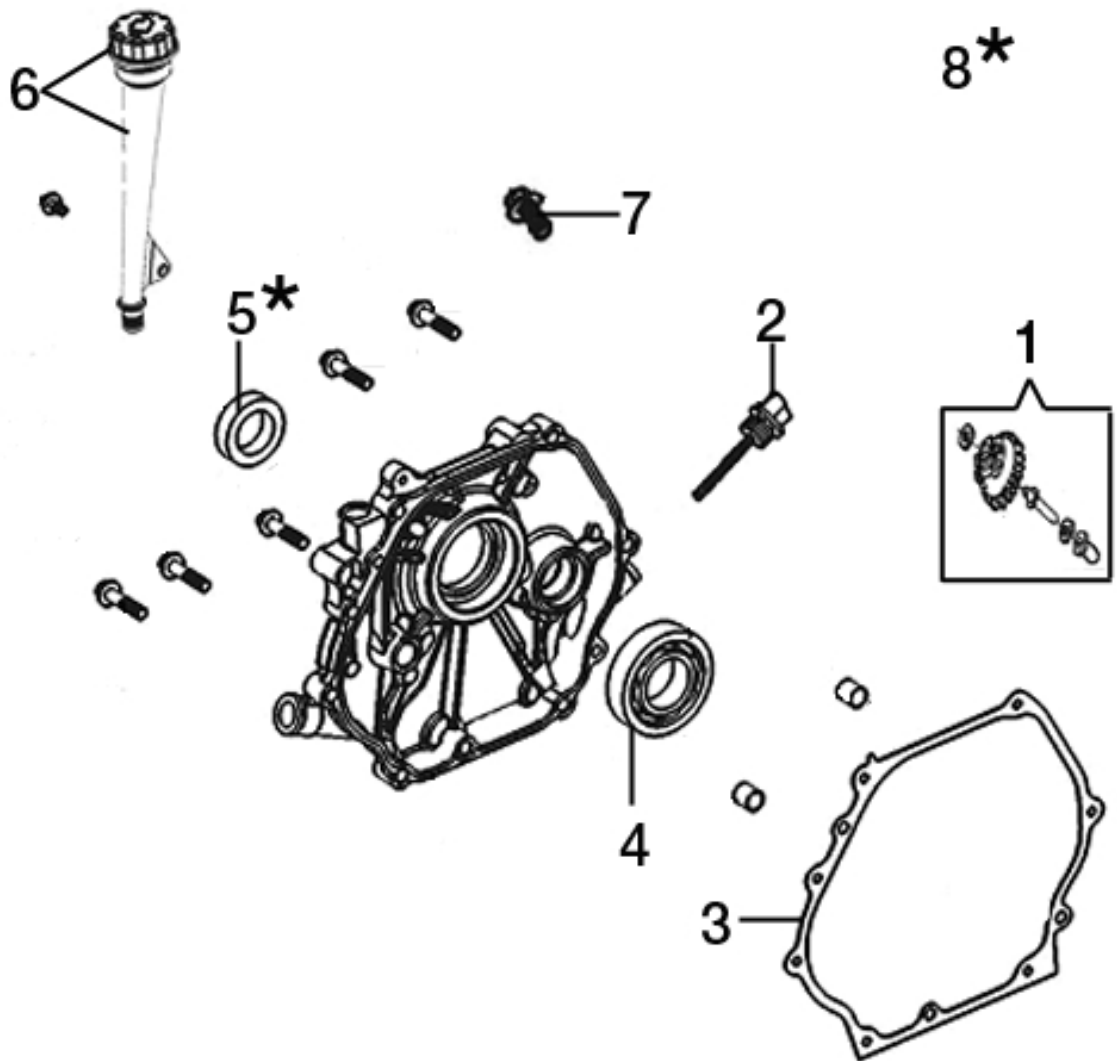


Ref.Nu	Qty	Part number	Description	Validity from	Validity till	Notes	Bulletin
1	4	L66150414	Screw				
2	1	L66150530	Tube				
3	1	L66150531	Gasket				
4	1	3055123	Spark plug				
5	1	L66150532	Gasket				
6	1	L66150610	Gasket set				
7	1	L66150590	Gasket				
8	1	L66150316	Screw				
9	1	L66150609	Head comp.cylinder				

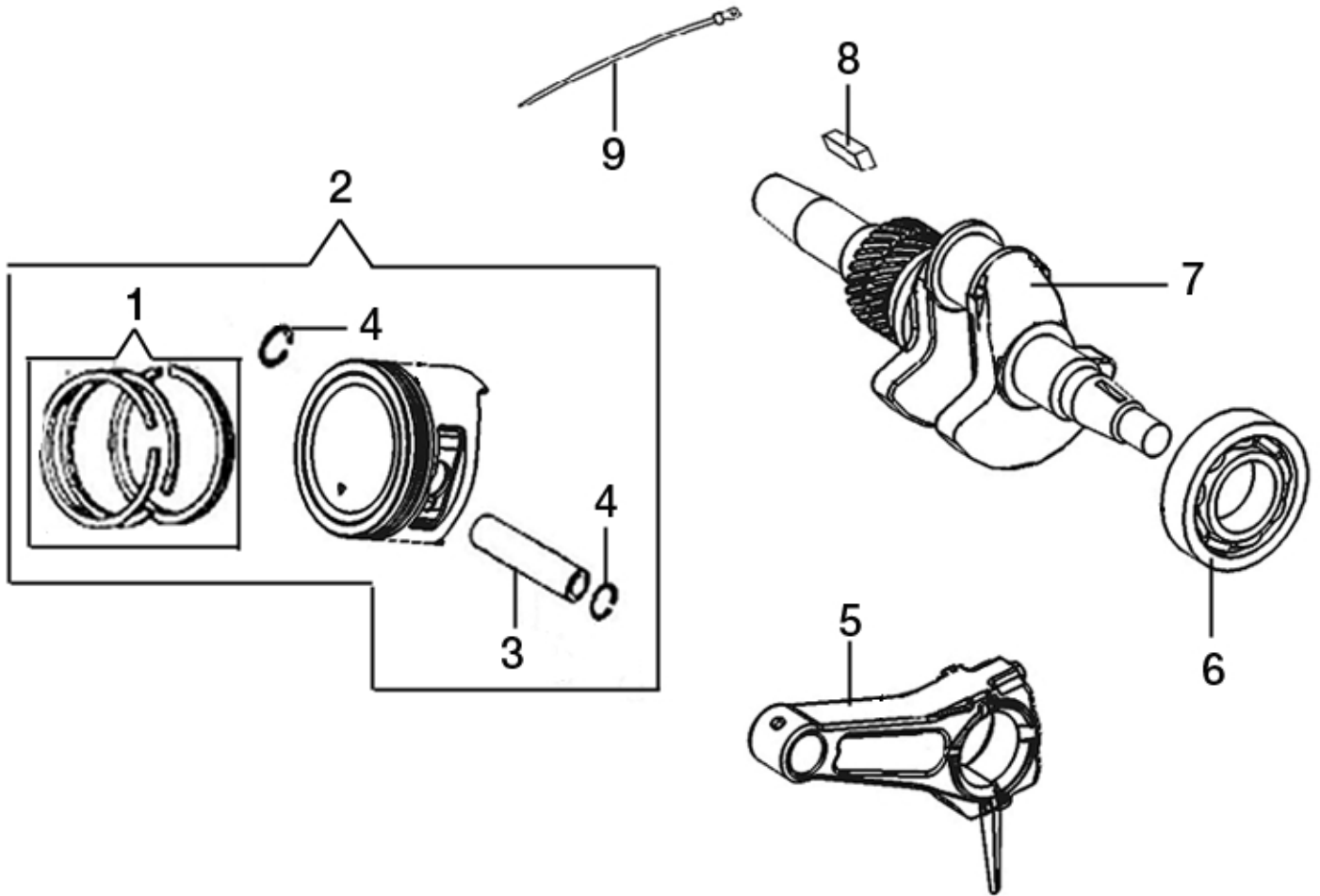
9*



Ref.Nu	Qty	Part number	Description	Validity from	Validity till	Notes	Bulletin
1	1	L66150591	Ignition coil				
2	1	L66150536	Shaft				
3	1	L66150537	Clip				
4	1	L66150353	Plug				
5	1	L66150538	Seal ring				
6	1	L66150316	Screw				
7	1	L66150480	Cable				
8	1	L66150539	Tube				
9	1	L66150610	Gasket set				
10	1	L66150699	Extension hose			Lungo; Long	

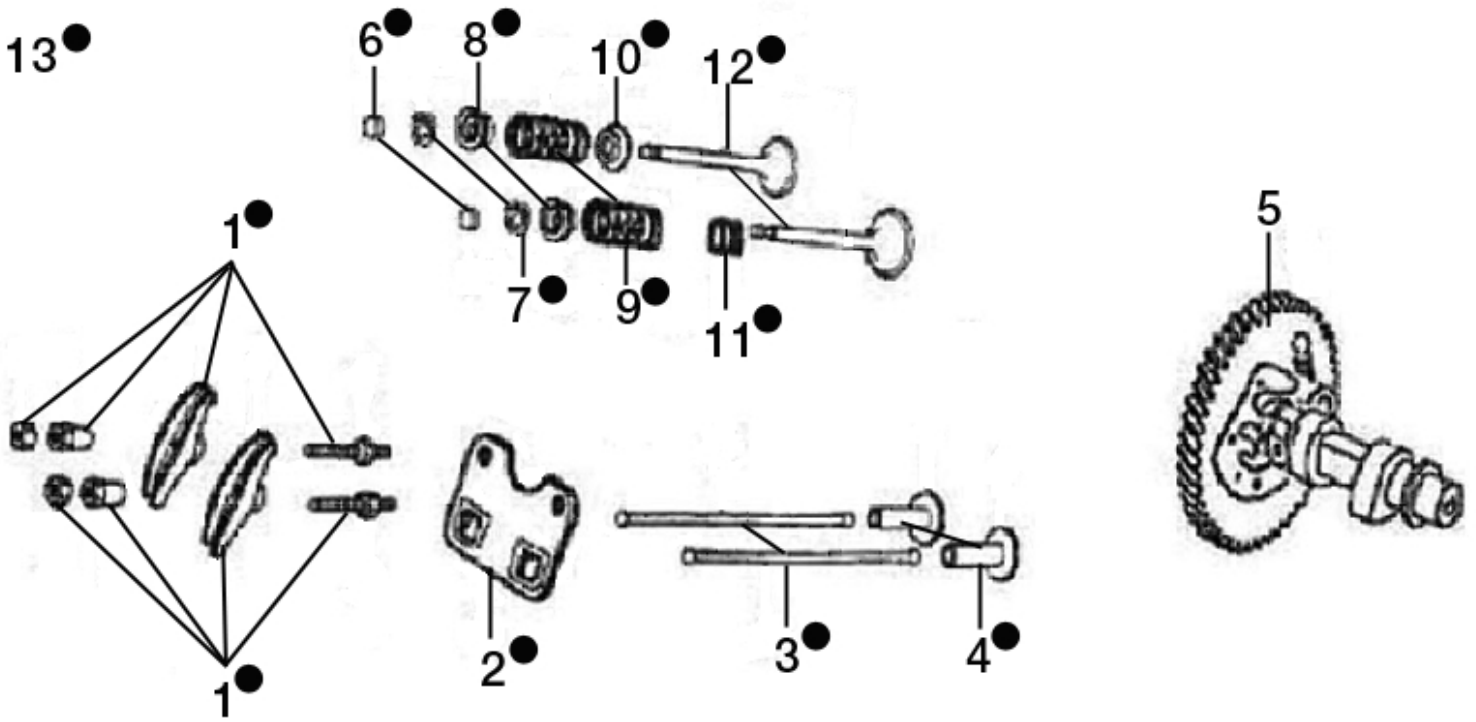


Ref.Nu	Qty	Part number	Description	Validity from	Validity till	Notes	Bulletin
1	1	L66150540	Governor				
2	1	L66150541	Complete cap				
3	1	L66150542	Gasket				
4	1	L66150543	Bearing				
5	1	L66150544	Seal ring				
6	1	L66150545	Complete cap				
7	1	L66150352	Screw				
8	1	L66150610	Gasket set				

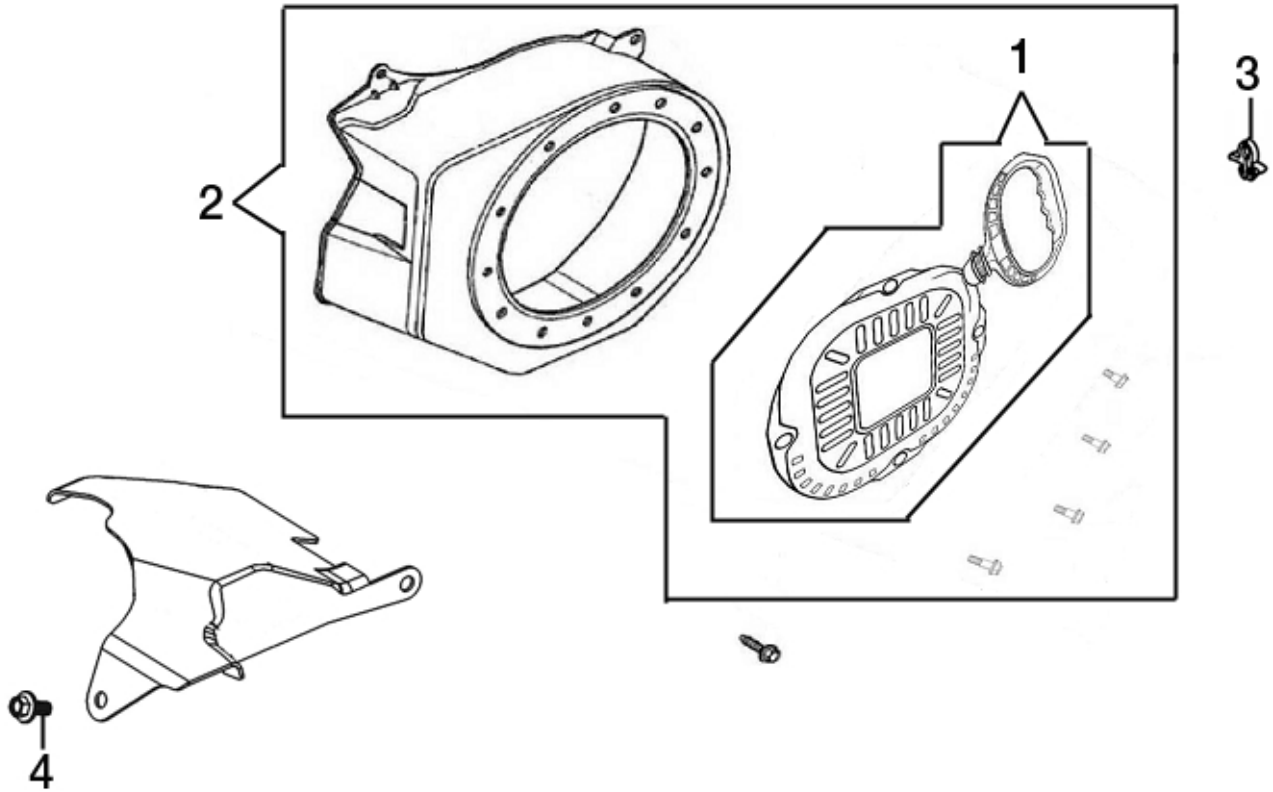


Ref.Nu	Qty	Part number	Description	Validity from	Validity till	Notes	Bulletin
1	1	L66150592	Piston ring set				
2	1	L66150611	Piston assy				
3	1	L66150547	Piston pin				
4	2	L66150075	Snap ring				
5	1	L66150548	Connecting rod cpl.				
6	1	L66150543	Bearing				
7	1	L66150593	Shaft				
8	1	L66150594	Key				
9	1	L66150551	Band				

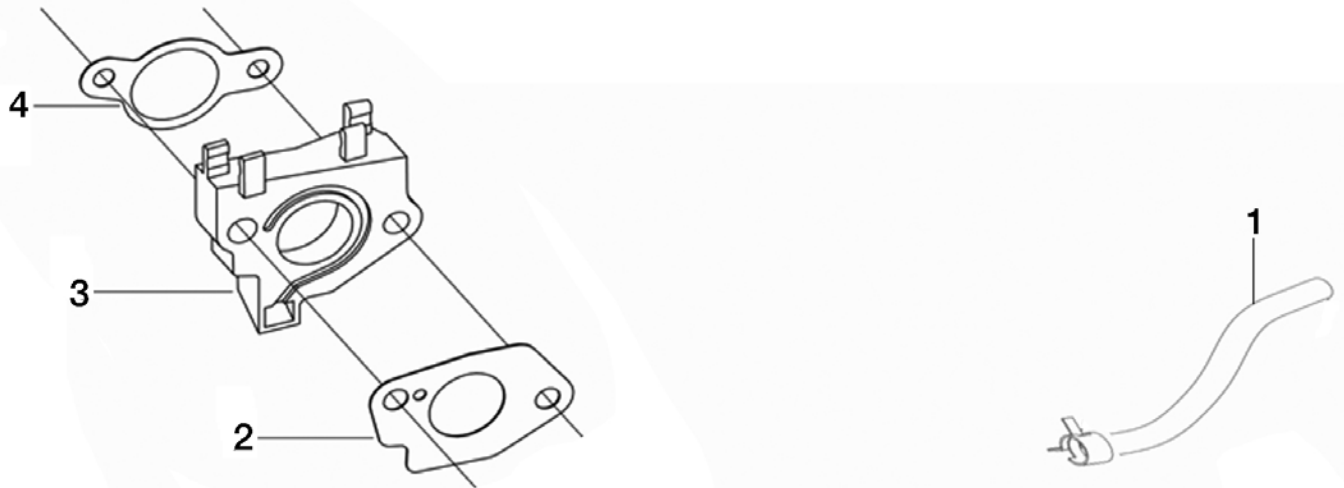
13●



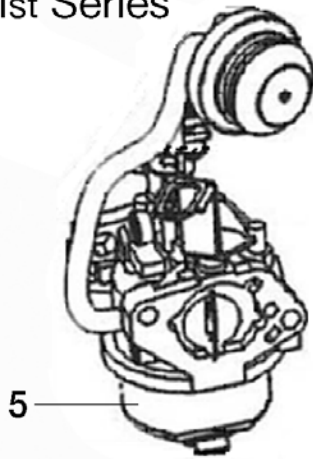
Ref.Nu	Qty	Part number	Description	Validity from	Validity till	Notes	Bulletin
1	1	L66150563	Compensator				
2	1	L66150552	Plate				
3	2	L66150553	Equalizer rod				
4	2	L66150554	Slide				
5	1	L66150595	Camshaft assy				
6	2	L66150556	Valve				
7	4	L66150557	Valve				
8	2	L66150558	Clamp				
9	2	L66150559	Spring				
10	1	L66150560	Slide				
11	1	L66150561	Seal ring				
12	1	L66150562	Valve				
13	1	L66150609	Head comp.cylinder				



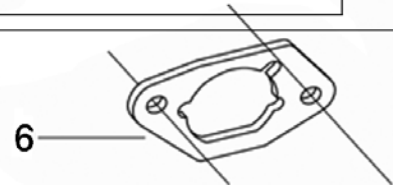
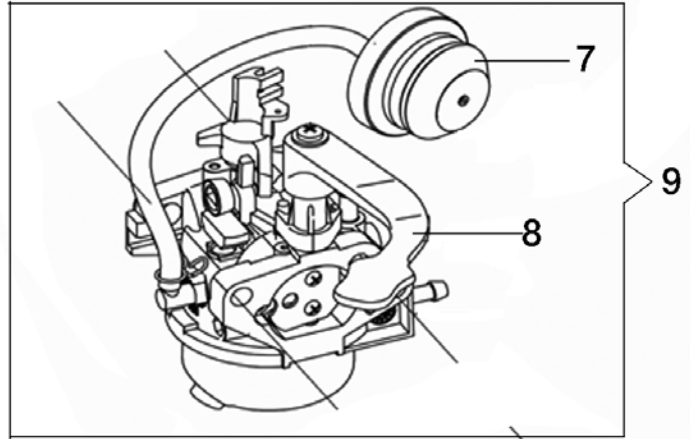
Ref.Nu	Qty	Part number	Description	Validity from	Validity till	Notes	Bulletin
1	1	L66150564	Ignition system				
2	1	L66150565	Starter assy				
3	1	L66150566	Clip				
4	1	L66150316	Screw				



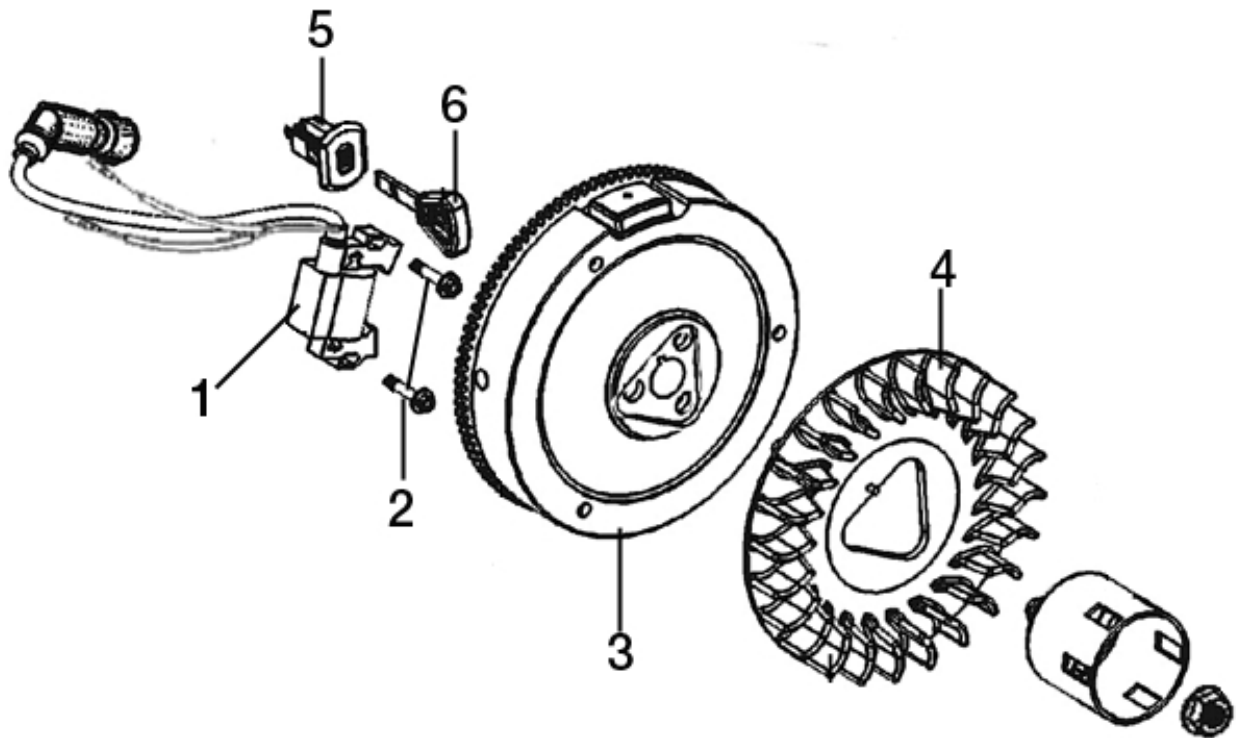
I° Serie / Ist Series



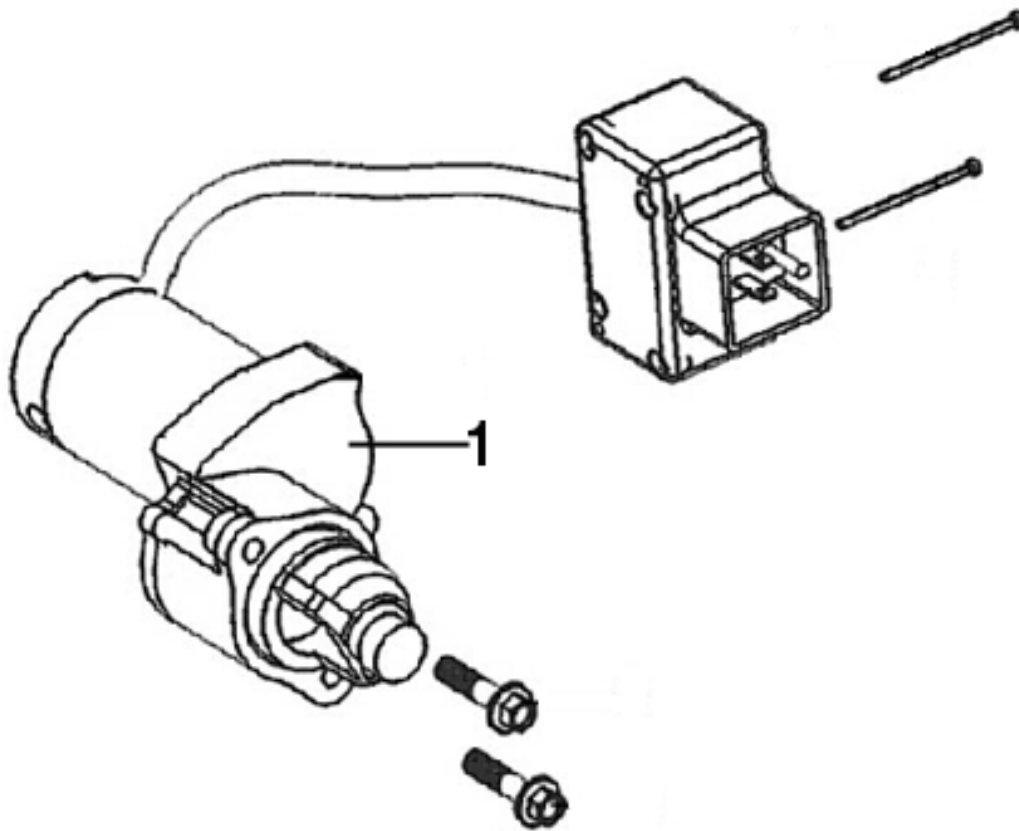
II° Serie / IInd Series



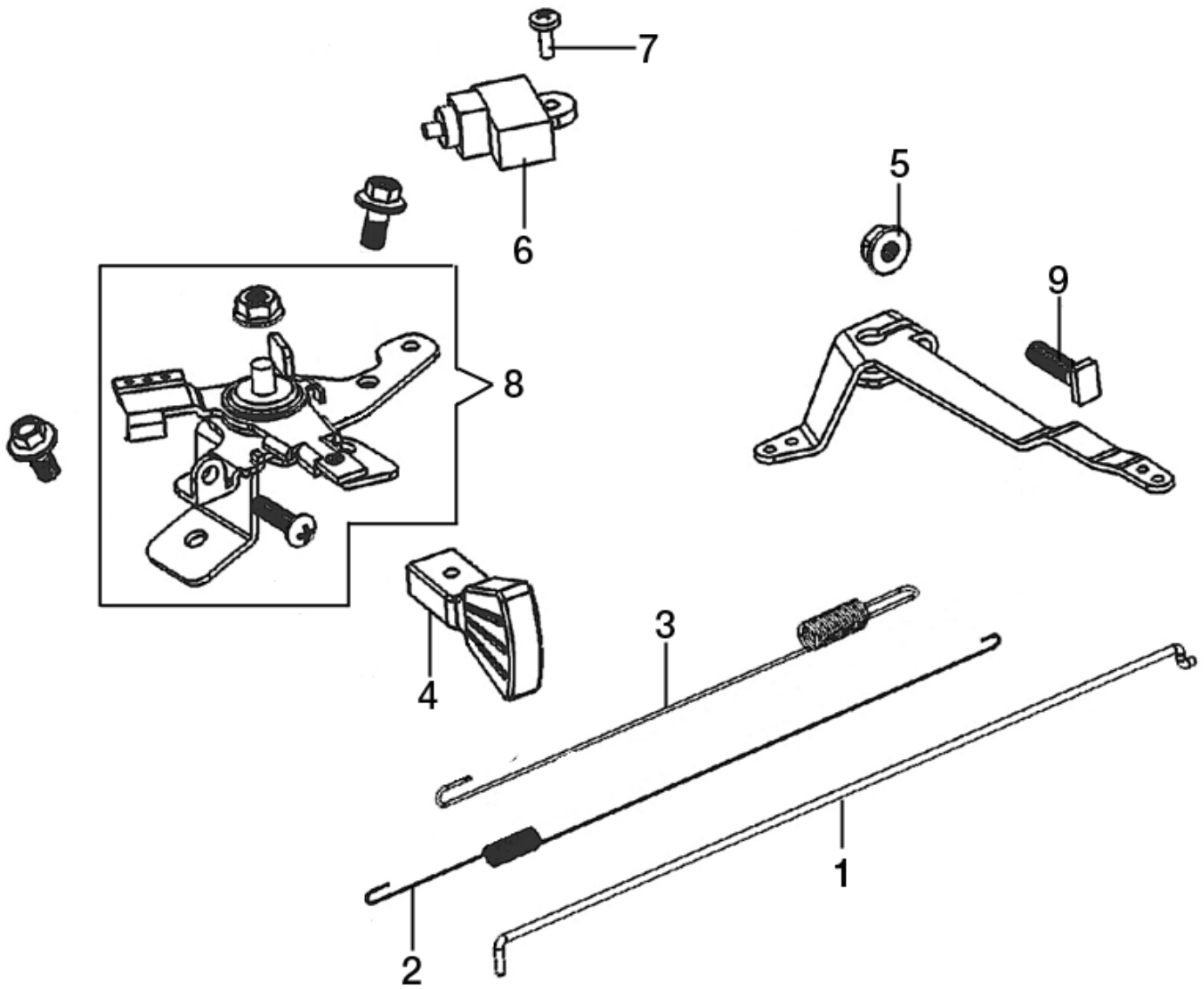
Ref.Nu	Qty	Part number	Description	Validity from	Validity till	Notes	Bulletin
1	1	L66150570	Tube				
2	1	L66150571	Gasket				
3	1	L66150572	Safety ring				
4	1	L66150573	Gasket				
5	1	L66150574	Carburetor				BT6-093-12/13
6	1	L66150575	Spacer				
7	1	L66150702	Primer pump				
8	1	L66150696	Air lever	06/13			BT6-093-12/13
9	1	L66150700	Carburetor	06/13			BT6-093-12/13



Ref.Nu	Qty	Part number	Description	Validity from	Validity till	Notes	Bulletin
1	1	L66150567	Ignition coil				
2	2	L66150321	Screw				
3	1	L66150568	Flywheel				
4	1	L66150569	Fan				
5	1	L66150492	Case				
6	1	L66150493	Switch				

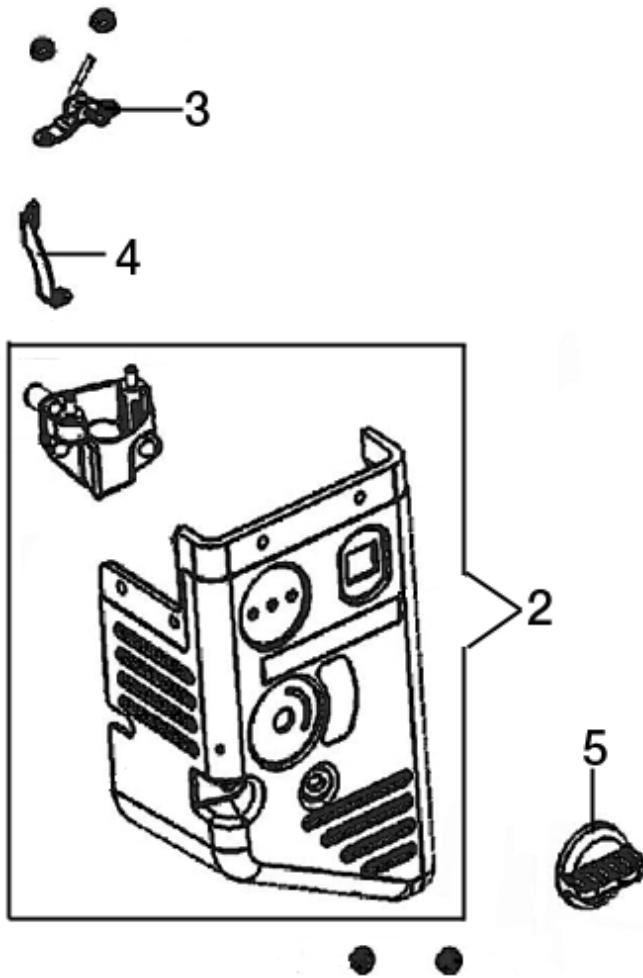


Ref.Nu	Qty	Part number	Description	Validity from	Validity till	Notes	Bulletin
1	1	L66150596	Starter lever				

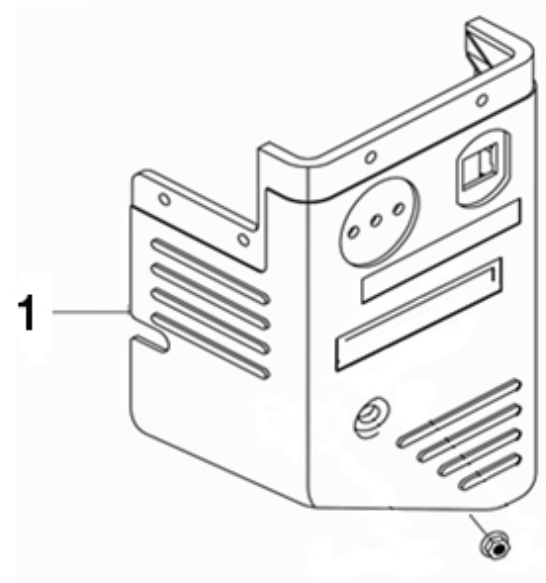


Ref.Nu	Qty	Part number	Description	Validity from	Validity till	Notes	Bulletin
1	1	L66150577	Rod				
2	1	L66150578	Spring				
3	1	L66150579	Spring				
4	1	L66150499	Rubber protection				
5	1	L66150185	Nut				
6	1	L66150497	Switch (stop)				
7	1	L66150240	Screw				
8	1	L66150580	Complete lever				
9	1	L66150382	Screw				

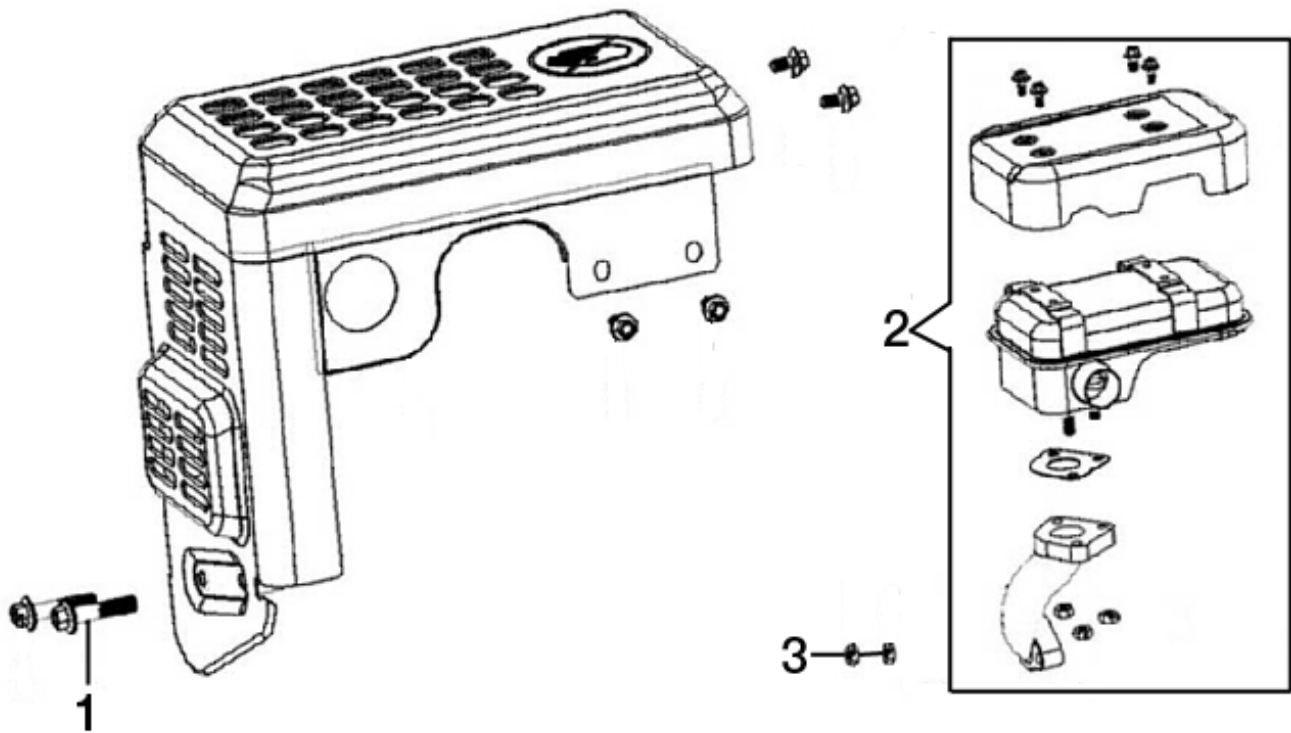
I° Serie / Ist Serie



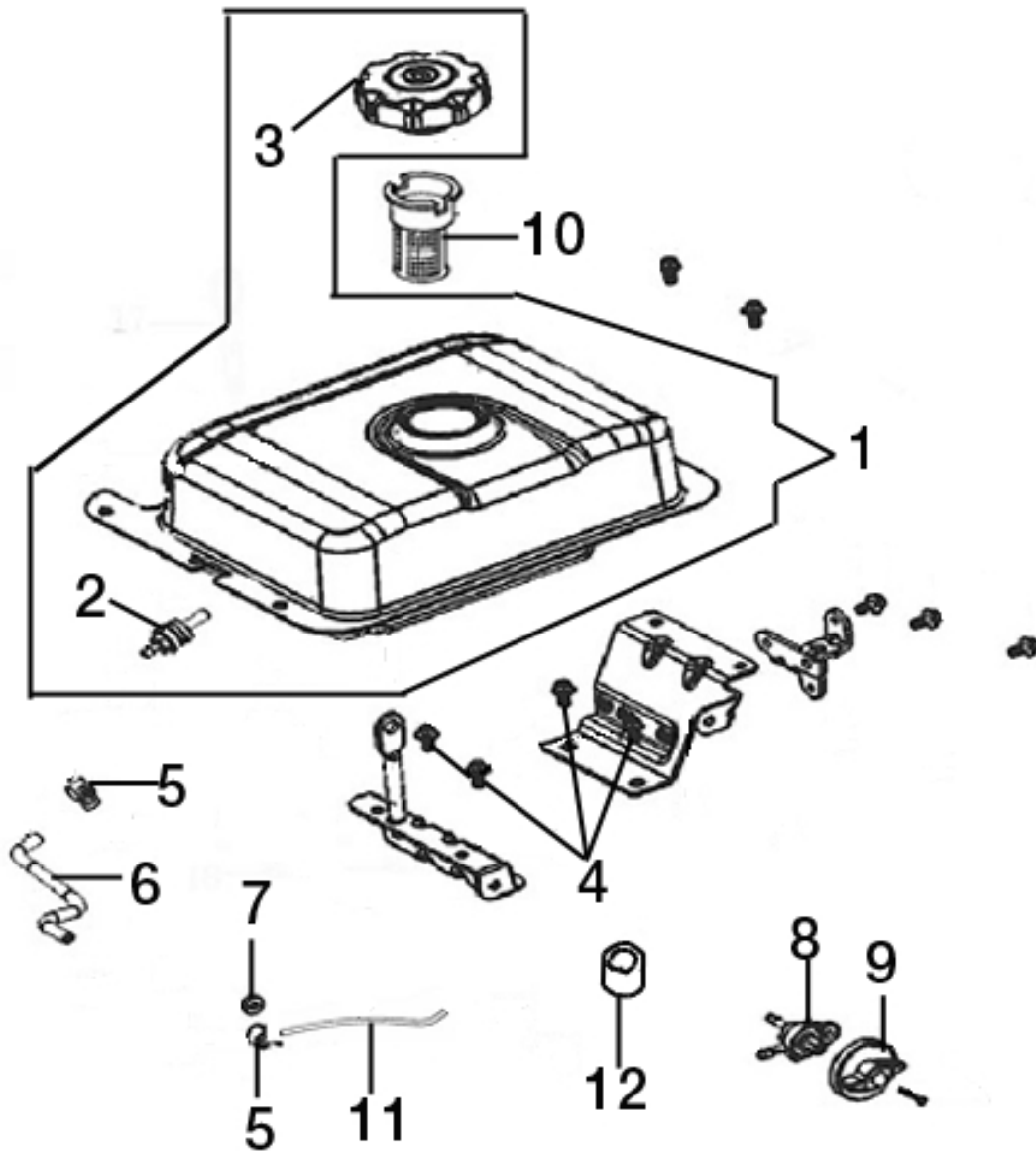
II° Serie / IInd Series



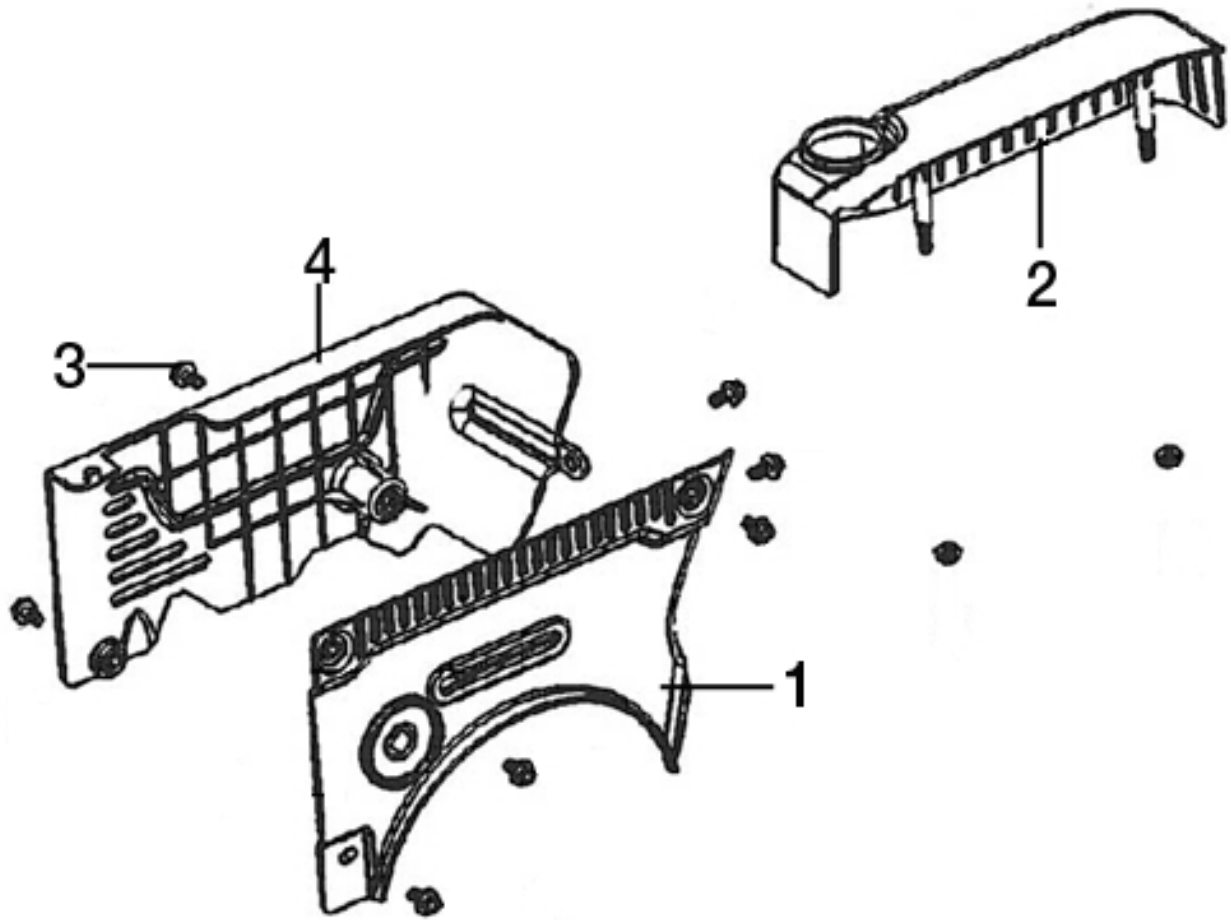
Ref.Nu	Qty	Part number	Description	Validity from	Validity till	Notes	Bulletin
1	1	L66150706	Air filter	06/13			BT6-093-12/13
2	1	L66150581	Air filter kit		05/13		BT6-093-12/13
3	1	L66150582	Starter lever		05/13		BT6-093-12/13
4	1	L66150583	Clip		05/13		BT6-093-12/13
5	1	L66150504	Knob		05/13		BT6-093-12/13



Ref.Nu	Qty	Part number	Description	Validity from	Validity till	Notes	Bulletin
1	2	L66150317	Screw				
2	1	L66150597	Complete muffler				
3	5	L66150348	Nut				



Ref.Nu	Qty	Part number	Description	Validity from	Validity till	Notes	Bulletin
1	1	L66150608	Tank assy				
2	1	L66150295	Fitting				
3	1	L66150511	Cap				
4	4	L66150317	Screw				
5	2	L66150509	Clip				
6	1	L66150585	Tube				
7	1	L66150185	Nut				
8	1	L66150508	Switch				
9	1	L66150507	Knob				
10	1	L66150514	Filter				
11	1	L66150570	Tube				
12	1	L66150586	Tube				



Ref.Nu	Qty	Part number	Description	Validity from	Validity till	Notes	Bulletin
1	1	L66150587	Cover				
2	1	L66150588	Guard				
3	1	L66150317	Screw				
4	1	L66150589	Cover				