

ALPHA BOOSTER 5

Model:

ALPHA BOOSTER 5-27

ALPHA BOOSTER 5-45

ALPHA BOOSTER 5-49

ALPHA BOOSTER 5-54



Part List US-English

26-05-2011

Nilfisk
ALTO
works for you

www.nilfisk-alto.com

Table of Contents

ALPHA BOOSTER 5

Overview	3
Motor	5
Unloader 1	7
Unloader 2	9
Pump 5	11
Pump 5, kits	14
Water inlet and outlet	16
Connecting box	18
Water tank	21
Default accessories	23
1x Detergent	25
2x Detergent	27
Control system	29
Recommended spare parts	31

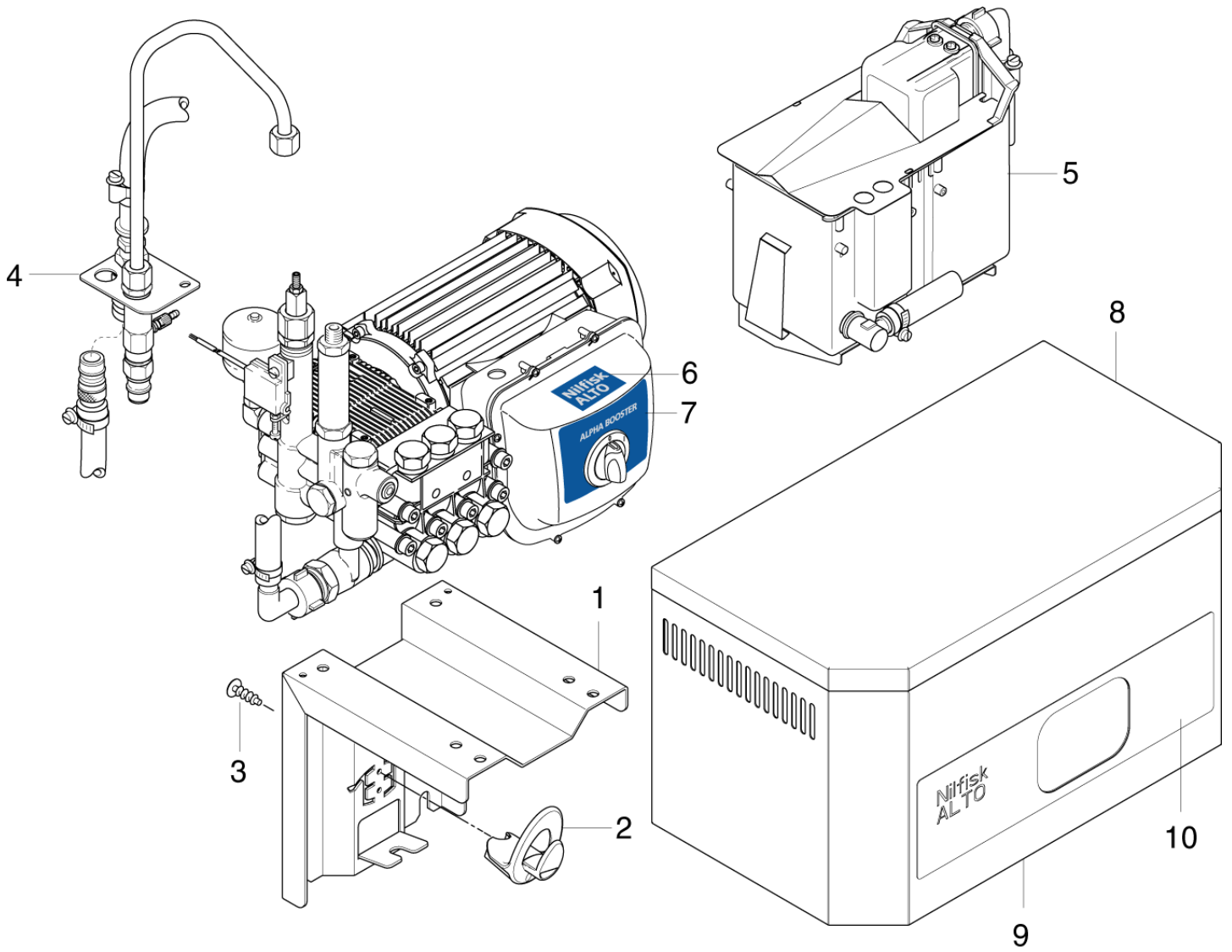
Overview

ALPHA BOOSTER 5

26-05-2011

Part List ID
ALPHAB02

3



Overview

ALPHA BOOSTER 5

26-05-2011

Part List ID
ALPHAB02

4

Pos	Part no.	Qty	Description	EAN
1	107304050	1	CHASSIS WELDED ALPHA	4005337170
2	301000808	1	HOLDER 121X91X83 FOR HOSE W/O.CABEL PA	4005337024
3	1814614	1	PT-SCREW K50X16 WN1451 - A2	5701715208
4		1	USE LINK Water inlet and outlet	
5		1	USE LINK Water tank with support	
6	104209525	1	LABEL NILFISK-ALTO	4005337170
7	107309123	1	LABEL ALPHA BOOSTER 3 ALPHA BOOSTER 3	4005337170
7	107309124	1	LABEL ALPHA BOOSTER 5 ALPHA BOOSTER 5	4005337170
8	107304017	1	CABINET TOP WELDED ALPHA	4005337170
9	107304018	1	CABINET WELDEL	4005337170
10	107309095	1	FRONT LABEL	4005337170

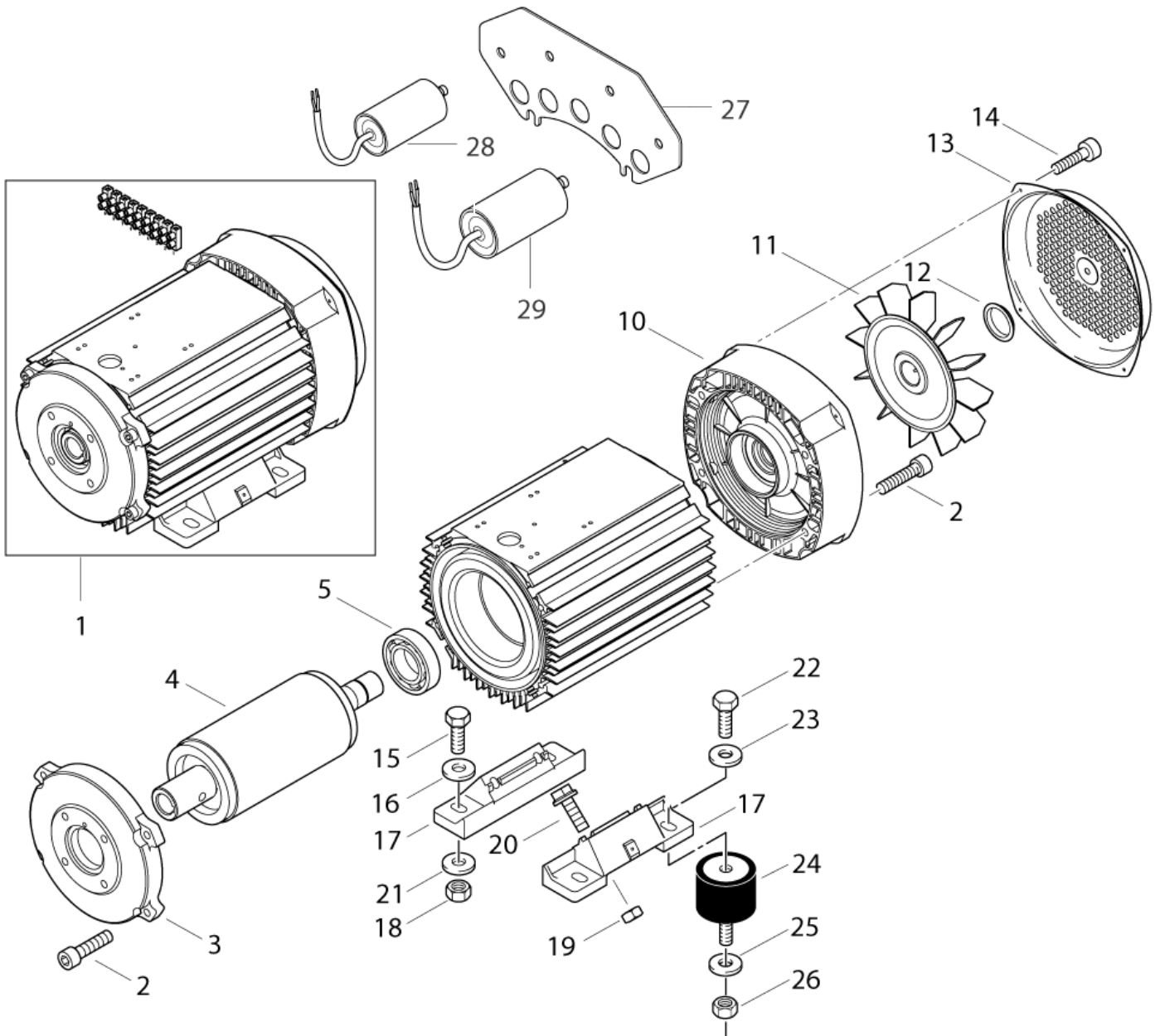
Motor

ALPHA BOOSTER 5

26-05-2011

Part List ID
ALPHAB04

5



Motor

ALPHA BOOSTER 5

26-05-2011

Part List ID
ALPHAB04

6

Pos	Part no.	Qty	Description		EAN
1	101118015	1	MOTOR 4.0KW 230/400 MEC110 ELD	3-41	4005337183
1	101118016	1	MOTOR 2.2KW 230/1 MEC110 ELD	3-26, 3-30	4005337183
1	101118017	1	MOTOR 5.5KW 230/400 3 PHASE	5-49, 5-54	4005337183
1	107142022	1	MOTOR 1.4KW 120/1 MEC110 ELD	3-20	5701715420
1	107142031	1	MOTOR 2.2KW 230/1/50	5-27	5701715421
1	107142032	1	MOTOR 5.2KW 220/1 PHASE	5-45	5701715421
2	6863	8	SCREW M8X35		4005337068
3	301001119	1	MOTORFLANGE		4005337032
4	301001121	1	ROTOR MOTOR 2.2KW	3-26, 3-30, 5-27	4005337032
4	301001123	1	ROTOR MOTOR 5.5KW	5-49, 5-54	4005337032
4	301001662	1	ROTOR MOTOR 1,4KW	3-20	4005337058
4	301001665	1	ROTOR MOTOR 5.2KW	5-45	4005337058
4	301001721	1	ROTOR MOTOR 4KW	3-41	4005337059
5	5905	1	ROLLER BEARING 6306-2Z-C3		4005337059
10	301001113	1	REAR BEARING COVER		4005337032
11	301001117	1	IMPELLER		4005337032
12	301001112	1	FASTENING RING		4005337032
13	301001115	1	FAN HOUSING		4005337032
14	8822	4	TREAD-CUTTING SCREW 3.5X9.5 C-H ISO 7049		4005337088
15	32964	4	SCREW M10X30		4005337329
16	4827	4	WASHER 10.5X2.5		4005337048
17	301001126	2	MOTOR FOOT H45MM		4005337033
19	6052	4	HEXAGON NUT M8		4005337060
20	27372	4	SCREW M8X20 DIN 6921		4005337273
22	2750	4	HEX. SCREW M8X25 ISO 4017 ZN		4005337027
23	2793	4	WASHER 8.4X2		4005337027
24	49924	4	ANTI VIBRATION DAMPER 30X20		4005337499
25	4827	4	WASHER 10.5X2.5		4005337048
26	61467	4	HEXAGON NUT M8		4005337614
27	107304046	1	BRACKET FOR CAPACITOR 1PH	5-45 UL	5701715457
28	103822167	1	CAPACITOR OPERATION 60UF UL	5-45 UL	5701715457
29	103822210	1	START CAPACITOR 60X120 100UF	5-45 UL	5701715457

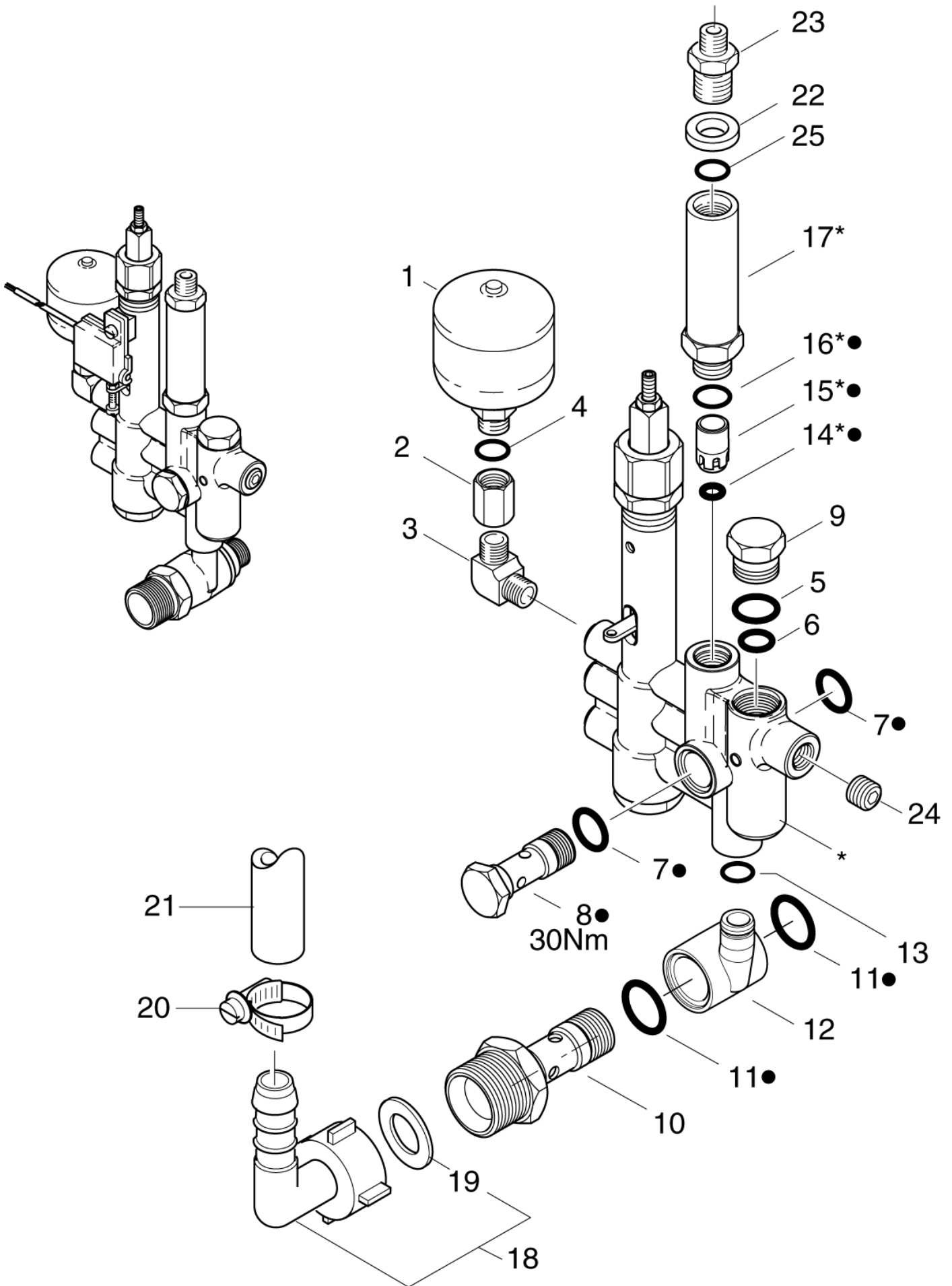
Unloader 1

ALPHA BOOSTER 5

26-05-2011

Part List ID
ALPHAB06

7



Unloader 1

ALPHA BOOSTER 5

26-05-2011

Part List ID
ALPHAB06

8

Pos	Part no.	Qty	Description	EAN
-	301001810	1	UNLOADER VALVE NEPTUNE 3 -7	4005337066
-	301001850	1	REPAIR KIT DISCHARGER VALVE	4005337066
1	63090	1	PRESSURE ACCUMULATOR	4005337630
2	63136	1	MUFFE M16X1.5 SW 19X24	4005337631
3	1618	1	SCREW ASSEMBLY GL10 R1/4	4005337016
4	3003860	1	O-RING 13.95X2.62 NITRIL 70SH	5701715038
5	16443	1	O-RING 17.0x2.0 DIN 3770 NBR70	4005337164
6	62706	1	O-RING 13.0x2.0 DIN 3770 NBR70	4005337627
7	16443	2	O-RING 17.0x2.0 DIN 3770 NBR70	4005337164
8	62697	1	HOLLOW SCREW G3/8	4005337626
8	62697	1	HOLLOW SCREW M7X36/51 G3/8 SW22 ZN	4005337626
9	107302201	1	PLUG FOR UNLOADER	4005337170
10	301001297	1	HOLLOW SCREW G1/2-G3/4X72 SW30 PA	4005337045
11	24347	2	O-RING 21.0x2.5 DIN 3770 FPM80	4005337243
12	301000778	1	RETURN LINE 30.9X34 PA	4005337025
13	3003670	1	O-RING 10.0X2.0 NITRIL 70 SH	5701715038
14	56519	1	O-RING 6.5x3.0 SMS 1586 NBR90	4005337565
15	301000905	1	PISTON Ø14,6X25,5	4005337023
16	16998	1	O-RING 14.0x1.5 NBR70	4005337169
17	62722	1	FITTING	4005337627
18	5613	1	HOSE NOZZLE	4005337056
19	15587	1	PACKING RING 14X24X2	4005337155
20	8298	2	HOSE CLIP 16-27	4005337082
22	1801075	1	PACKING RING Ø 23,8X Ø 17,2	5701715027
23	1601079	1	THREADED CONNECTION	5701715024
24	6262	3	CLOSURE STUD R1/4 DIN 906 ZN	4005337062
25	3004246	1	O-RING 11.1X1.6 NITRIL SH 70	5701715039

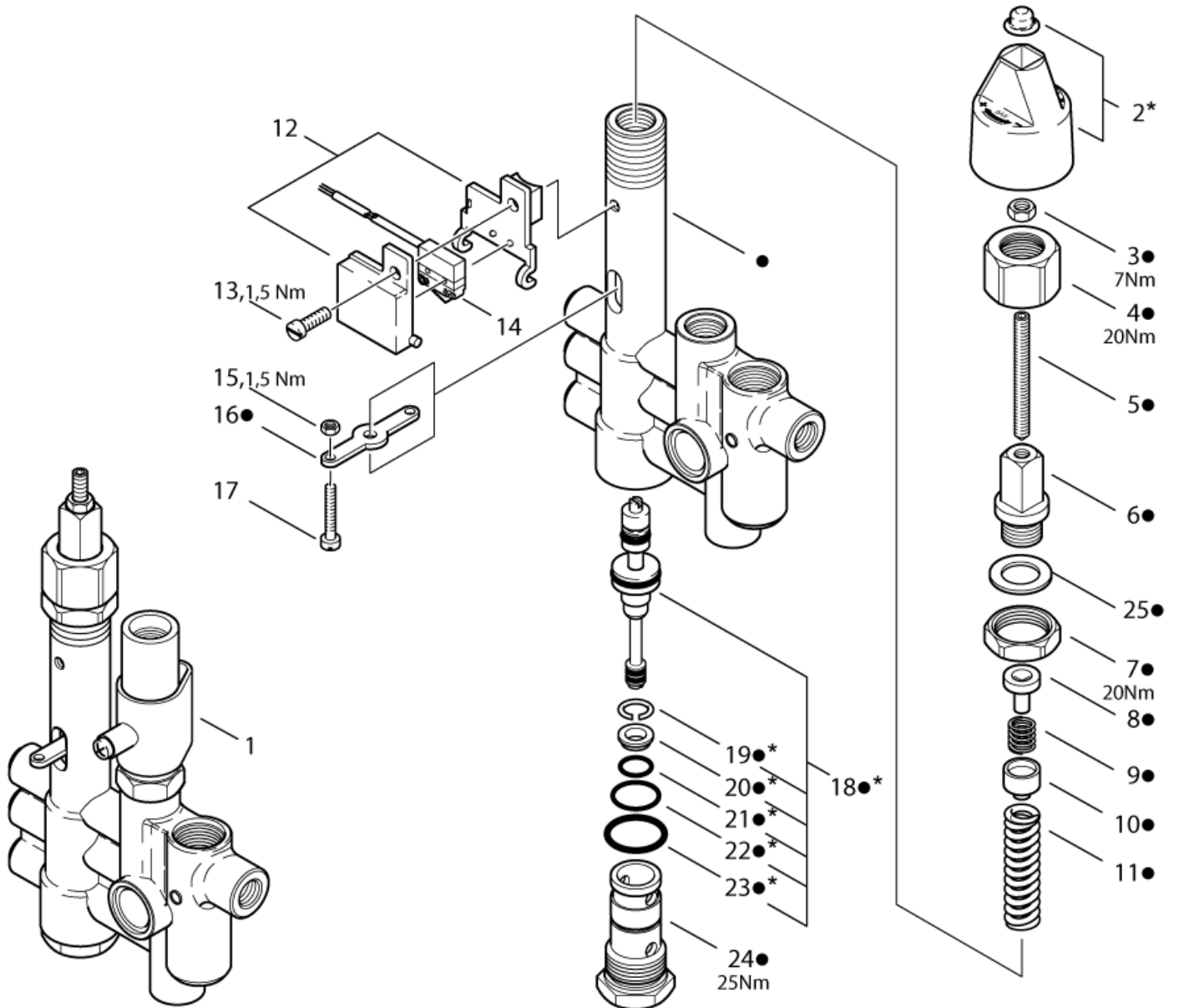
Unloader 2

ALPHA BOOSTER 5

26-05-2011

Part List ID
ALPHAB08

9



Unloader 2

ALPHA BOOSTER 5

26-05-2011

Part List ID
ALPHAB08

10

Pos	Part no.	Qty	Description	EAN
-	301001850	1	REPAIR KIT DISCHARGER VALVE	4005337066
1	301001810	1	UNLOADER VALVE NEPTUNE 3 -7	4005337066
3	3136	1	HEXAGON NUT M6	4005337031
4	62710	1	UNION NUT M24X1,5X21	4005337627
5	62711	1	HEADLESS SCREW M6X60 DIN 914 ST/ZN	4005337627
6	62712	1	HOLLOW SCREW M16X1X9	4005337627
6	62712	1	HOLLOW SCREW M16X1X9 4KT SW12X40 ZN	4005337627
7	62696	1	HEXAGON NUT M24X1.5X6	4005337626
8	62695	1	SPRING SUPPORT	4005337626
9	62713	1	SPRING	4005337627
10	62694	1	SPRING SUPPORT	4005337626
11	40972	1	SPRING 3,5X10,5X54	4005337409
12	62401	1	HOUSING FOR MICRO SWITCH	4005337624
13	3349	1	640EW M5X16	4005337033
14	301000731	1	MICRO SWITCH 250V	4005337691
15	2759	1	HEXAGON NUT M4	4005337027
16	62717	1	CONTACT STUD	4005337627
17	5076	1	SCREW M4X25	4005337050
18	64314	1	REPAIR KIT	4005337643
19	909100001	1	RING Ø14	4005337003
20	62708	1	VALVE SEAT Ø8,5/Ø11,4/Ø1	4005337627
21	49461	1	O-RING 11.0x1.5 NBR90	4005337494
22	9523	1	O-RING 17.0x1.5 NBR70	4005337095
23	32091	1	O-RING 21.0x2.0 DIN 3770 NBR70	4005337320
24	64301	1	HOLLOW SCREW M24X1.5	4005337643
24	64301	1	HOLLOW SCREW M24X1.5 Ø20 SW27 ZN	4005337643
25	103004451	1	VULCAN FIBRE WASHER Ø16X20X1.5 DIN 7737	5715492081

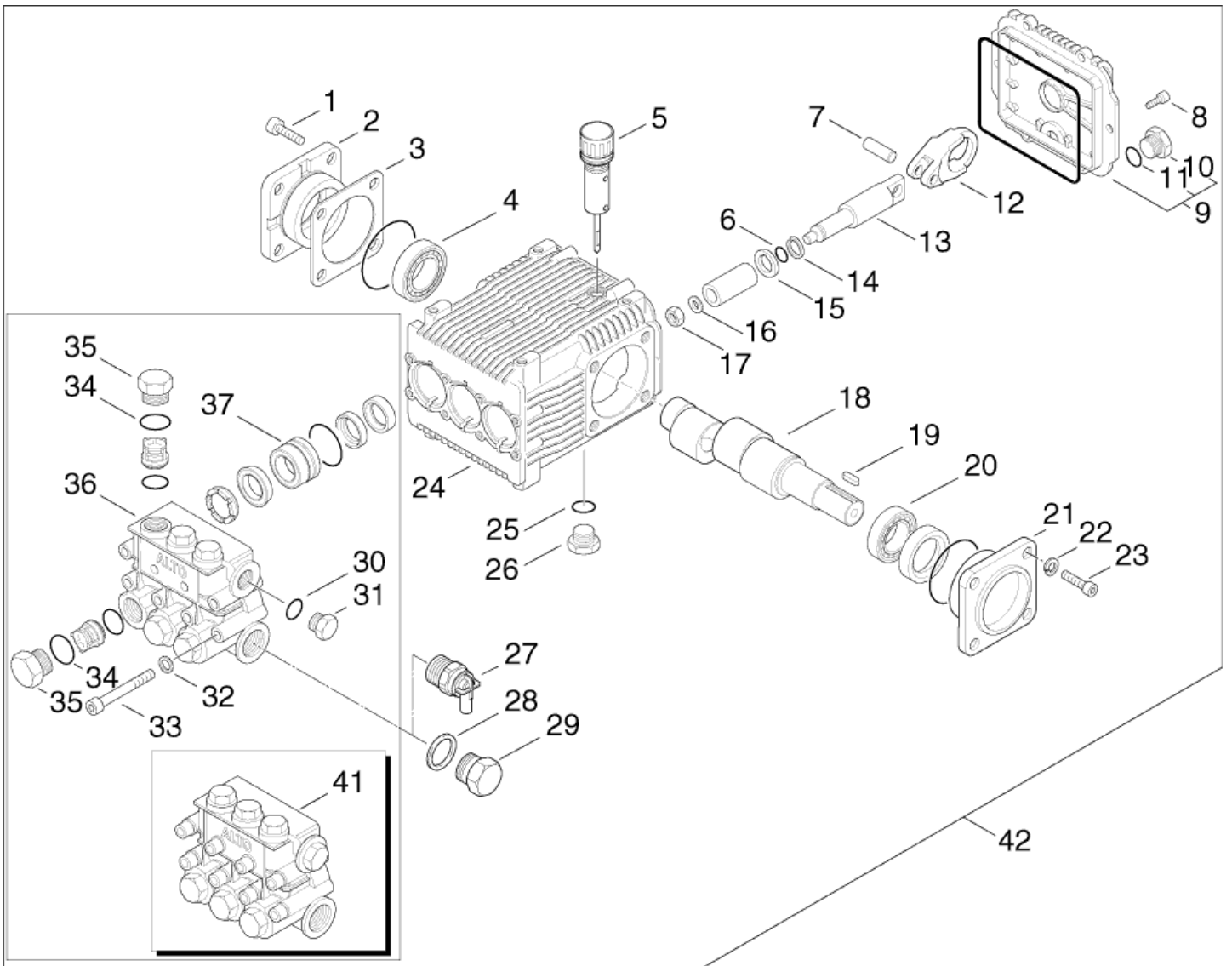
Pump 5

ALPHA BOOSTER 5

26-05-2011

Part List ID
ALPHAB14

11



Pump 5

ALPHA BOOSTER 5

26-05-2011

Part List ID
ALPHAB14

12

Pos	Part no.	Qty	Description		EAN
-	107144146	1	PUMP OIL NA5 1X1 LITER BOTTLE	SAE 15W 40, 0,45 l	4005337151
1	2788	4	CYLINDER SCREW M8X16 ISO 4762 ST 8.8/ZN		4005337027
2	301001166	1	BEARING LID 80X80X8 CLO		4005337034
3	301001140	1	ADJUSTING WASHER 80x80x0.05		4005337033
3	301001141	1	ADJUSTING WASHER 80x80x0.10		4005337033
3	301001142	1	ADJUSTING WASHER 80X80X0.20		4005337033
3	301001143	1	ADJUSTING WASHER 80X80X0.25		4005337033
4	909100163	1	ROLLER BEARING 30304		4005337036
5	301001460	1	OIL LEVEL STICK G3/8		4005337045
6	3001740	3	O-RING 7.66X1.78 NITRIL 70SH		5701715038
7	301001138	3	BOLT		4005337033
8	909100158	6	SCREW M6X14		4005337035
9	301001158	1	COVER		4005337034
10	301001135	1	PLUG G3/8		4005337033
11	56554	1	O-RING 14.0x1.78 ARP AS 568 A NBR70		4005337565
12	301001168	3	CONNECTING ROD	5-45, 5-49	4005337034
12	301001169	3	CONNECTING ROD	5-27	4005337034
13	301001156	3	PISTON ROD		4005337034
14	49900	3	SUPPORTING RING 8X11X1		4005337499
15	301001139	3	DISTANCE SPACER		4005337033
16	909100165	3	PACKING RING Ø8X17		4005337038
17	909100167	3	HEXAGON NUT M8		4005337038
18	301001161	1	CRANKSHAFT NO.6	5-27	4005337034
18	301001165	1	CRANKSHAFT NO.1	5-49	4005337034
18	301001659	1	CRANKSHAFT NO.4	5-45	4005337058
19	19639	1	PARALLEL KEY A 8X7X25		4005337196
20	909100162	1	ROLLER BEARING 30205		4005337036
21	301001167	1	BEARING LID 80X80X8 OPE		4005337034
22	2798	4	LOCK WASHER 8		4005337027
23	3928	4	SCREW M8X30	5-27	4005337039
23	6863	3	SCREW M8X35	5-45, 5-49	4005337068
24	301001157	1	HOUSING		4005337034
25	56554	1	O-RING 14.0x1.78 ARP AS 568 A NBR70		4005337565
26	301001135	1	PLUG G3/8		4005337033
27	301001391	1	THERMAL RELIEF VALVE	MS	4005337042
28	5127	1	PACKING RING D21X26		4005337051
29	301001136	1	PLUG G1/2/SW24X17		4005337033
30	1409	1	PACKING RING Ø 17X23		4005337014
31	301001134	1	PLUG G3/8		4005337033
32	909100168	8	SAFETY WASHER Ø8		4005337038
33	1814597	8	SCREW M8X70 DIN 912-8.8		5701715124
33	1814597	8	CYLINDER SCREW M8X70 DIN 912-8.8 ZN		5701715124

Pump 5

ALPHA BOOSTER 5

26-05-2011

Part List ID

ALPHAB14

13

Pos	Part no.	Qty	Description	EAN
34	103004342	6	JOINT TORQUE 17,86X2,62	5701715296
35	301001137	6	PLUG M22 SW24X21	4005337033
36	301001172	1	VALVE BLOCK	4005337034
37	301001154	3	THRUST COLLAR Ø18 NP5-	4005337034
41	301001170	1	VALVE BLOCK COMPL. Ø 18MM	4005337034
42	301000791	1	PUMP NP5 15.20 N 15L/MIN 200BAR ALTO	5-49 4005337020
42	301000994	1	PUMP NP5 10.12 N 10L/MIN 120BAR ALTO	5-27 4005337027
42	301001462	1	PUMP NP5 4G30 N 15L/MIN 200BAR ALTO	5-45 4005337045

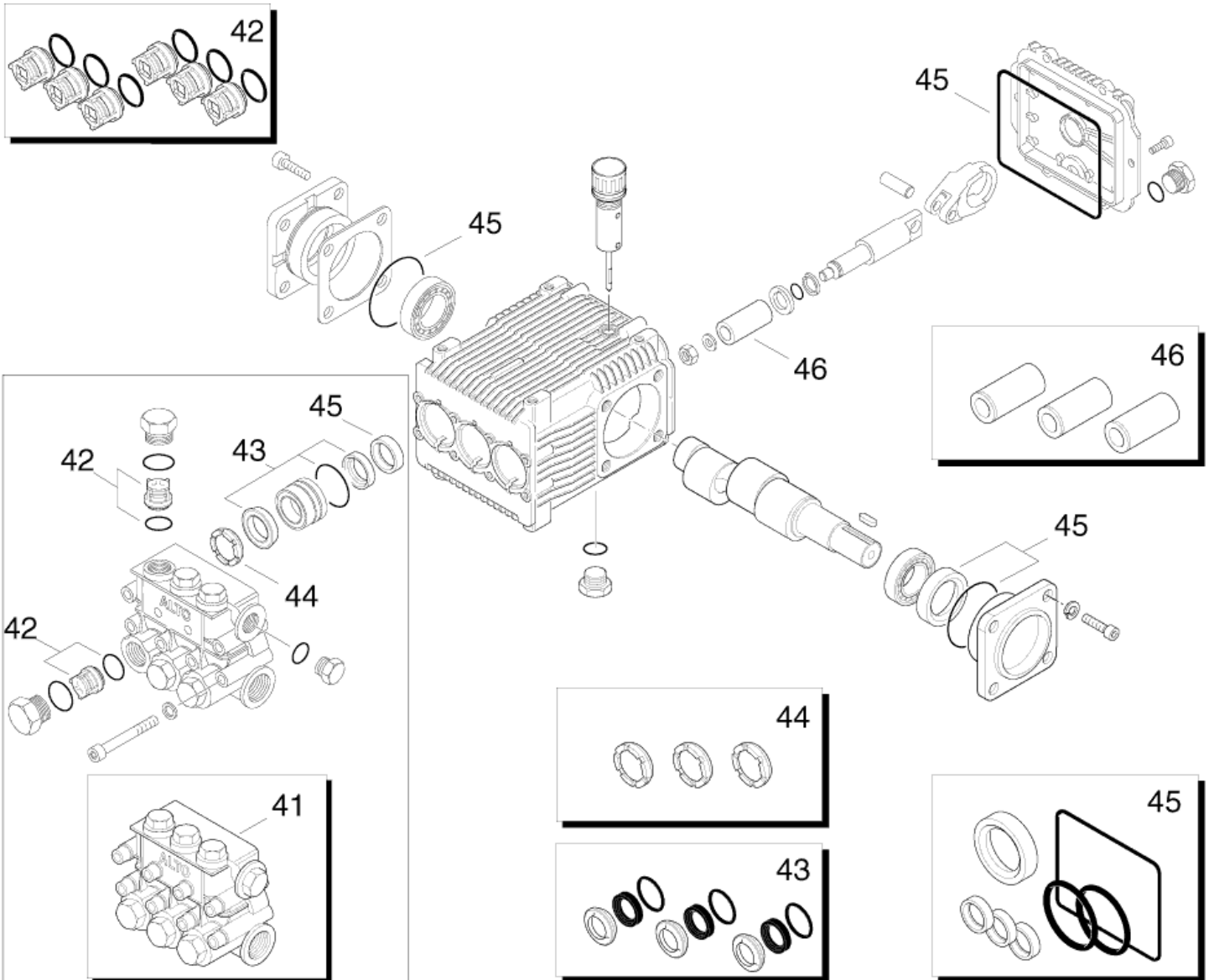
Pump 5, kits

ALPHA BOOSTER 5

26-05-2011

Part List ID
ALPHAB16

14



Pump 5, kits

ALPHA BOOSTER 5

26-05-2011

Part List ID
ALPHAB16

15

Pos	Part no.	Qty	Description	EAN
41	301001170	1	VALVE BLOCK COMPL. Ø 18MM	4005337034
42	301001153	1	KIT VALVE 6X	4005337034
43	301001148	1	KIT PISTON SEALING Ø18	4005337033
44	301001151	1	KIT SUPPORT RING Ø18	4005337034
45	301001150	1	KIT OIL SEALING	4005337034
46	301001146	1	PISTON KIT Ø 18MM	4005337033

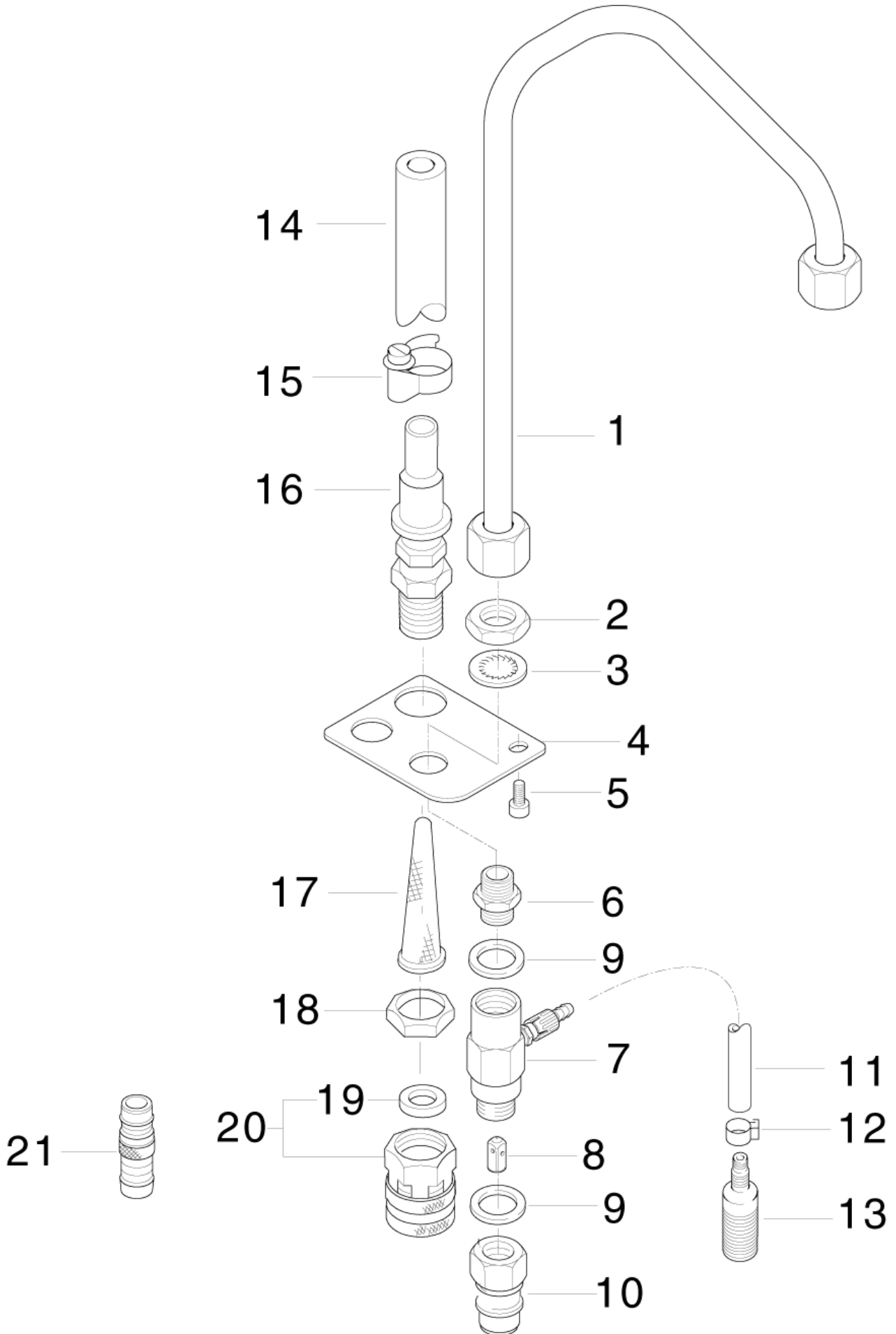
Water inlet and outlet

ALPHA BOOSTER 5

26-05-2011

Part List ID
ALPHAB18

16



Water inlet and outlet

ALPHA BOOSTER 5

26-05-2011

Part List ID
ALPHAB18

17

Pos	Part no.	Qty	Description	EAN
1	107305044	1	TUBE WITH CUTTING RINGS	4005337170
2	1803220	1	LOCK NUT M18X1.5	5701715028
3	1810076	1	TOOTHED WASHER J M18	5701715030
4	107304037	1	PLATE	4005337170
5	101814749	1	Screw M8x10 Din 912 Cyl.hoved	5701715395
5	101814749	1	CYLINDER SCREW M8x10 ISO4762 ZN	5701715395
6	6200484	1	THREADED CONNECTION	5701715080
7	103822162	1	DETERGENT INJECTOR 3/8IN	4005337170
8	6101038	1	PISTON	5701715063
9	1801075	2	PACKING RING Ø 23,8X Ø 17,2	5701715027
10	1600493	1	NIPPLE F. Q-COUP. 3/8IN HP	5701715023
11	5206636	1	HOSE 6/10	5701715046
12	11654	1	HOSE CLAMP DIA 11,5	4005337116
13	17508	1	STRAINER VALVE 6	5701715306
14	5206230	1	HOSE 5/8 16 MM 10 BAR DIN 73411	4005337171
15	1810191	1	CLIP 13-27 RUSTPROOF	5701715030
16	6100937	1	FILTER HOUSING	5701715063
17	6100941	1	FILTER L 7CM	5701715000
18	1800341	1	LOCK NUT 3/4IN	5701715026
19	3001237	1	GASKET 24.5X 16X3	5701715037
20	1602945	1	QUICK COUPLING 3/4 W/GASKET	5701715024
21	1600659	1	LP NIPPLE F. Q.-COUPLING 3/4IN	5701715023
21	1605955	1	NIPPLE F. QUICK COUPLING L.P	5701715026

USA 3-20, 5-45, 5-54

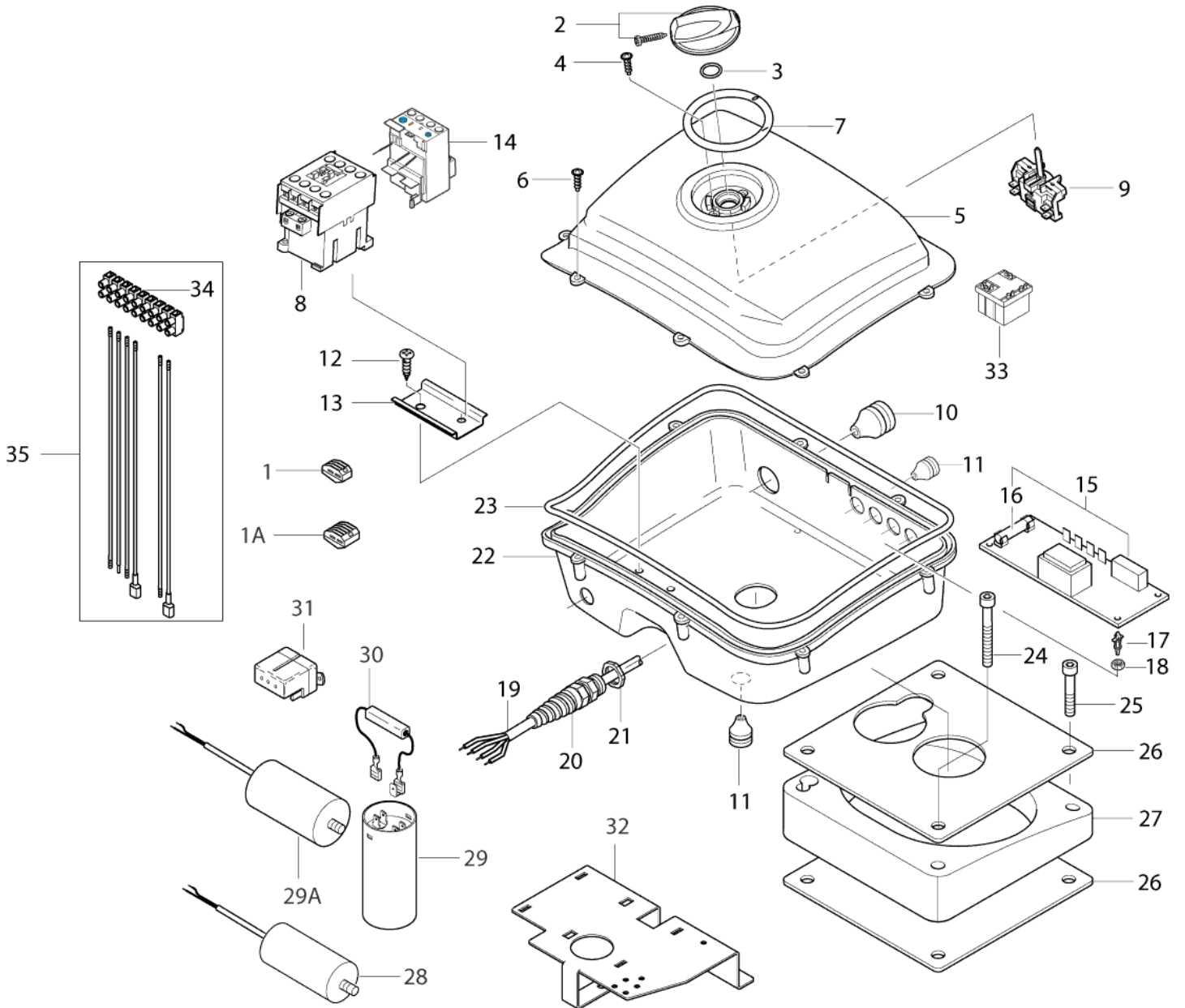
Connecting box

ALPHA BOOSTER 5

26-05-2011

Part List ID
ALPHAB20

18



Connecting box

ALPHA BOOSTER 5

26-05-2011

Part List ID
ALPHAB20

19

Pos	Part no.	Qty	Description	EAN	
1	301001229	2	SNAP-ON CLIP 3X4QMM 400V 24A GREY	4005337038	
2	909100204	1	ROTARY KNOB 6X5 BLUE	4005337689	
3	9868	1	O RING DIA 10X2,5	4005337098	
4	18274	2	COUNTERSUNK SCREW M4X12	4005337182	
5	107306077	1	EL-BOX COVER	4005337170	
6	1814637	8	PT-SCREW K40X16	5701715321	
7	107309109	1	LABEL FOR 0-1	4005337170	
8	103822253	1	CONTACTOR 100-C16KB10 440V	5-54 (3x440V 60Hz)	5701715457
8	103822303	1	CONTACTOR CJX2-1810 N7 400V	3-41, 5-49 (3x400V 50Hz)	4005337165
8	103822304	1	CONTACTOR CJX2-D18-P7 230V	3-26, 5-27 (1x15-230V 60Jz)	4005337178
8	103822309	1	CONTACTOR CJX2-D25-P7 230V	5-54 (3x220V 60Hz)	4005337178
8	103822311	1	CONTACTOR CJX2-D25-F7 110V	3-20 (1x115V 60Hz)	5715492057
8	103822314	1	CONTACTOR CJX2-D32-P7 230V	5-45 (1x220V 60Hz)	4005337178
9	29931	1	ROTARY SWITCH	4005337299	
10	3803772	1	CABLE GROMMET TET 7-10C	5701715007	
11	3803764	5	RUBBER SEAL TET 5-7C	5701715007	
12	16860	2	SCREW 4X12	4005337168	
13	107306084	1	APPLIC. MOUNTING RAIL 6CM TS35	4005337170	
14	103822327	1	THERMAL RELAY 12-18AMP	5701715472	
14	103822328	1	THERMAL RELAY 17-25AMP	5701715472	
14	103822329	1	THERMAL RELAY 23-32AMP	5701715472	
15	301000181	1	ELECTRONIC CONTROL UNIT	4005337671	
16	301000263	1	FUSE 0,63A/500AT Ø 6,	4005337671	
17	103822164	4	SPACER ROD	4005337170	
18	1802974	4	NUT M4 ISO 4032 A2-70	5701715028	
19	107350323	1	POWER CORD HO7RN-F 4G1.5	4005337171	
19	107350324	1	POWER CORD HO7RN-F 3G1.5	4005337171	
19	107350325	1	POWER CORD HO7RN-F 4G2.5	4005337171	
19	107350326	1	POWER CORD HO7RN-F 3G4	4005337171	
19	107350327	1	POWER CORD HO7RN-F 3G2.5	4005337171	
1A	103822187	1	TERMINAL BLOCK 5X4QMM	5701715422	
20	909100043	1	CABLE SCREWING W. ANTIBUC. M20X1.5	4005337679	
21	103821778	1	NUT M20X1.5	5701715293	
22	107306078	1	EL-BOX BOTTOM	4005337170	
22	107306098	1	CONNECTION BOX BOTTOM PART 1PH	Only 5-45 UL	5701715457
23	101406054	1	SPONGE RUBBER 4 1M	5701715457	
24	1806017	2	SCREW M5X40 UNBRAKO	4005337171	
25	1812312	2	SCREW M5X25 SS	4005337171	
26	301001183	2	GASKET 101.5X101.5X2 BLACK EPDM	4005337034	
27	107302200	1	FLANGE	4005337170	
28	301001017	1	CAPACITOR 60MF 450V W/ FERRULES	3-20, 3-26, 3-30, 5-27	4005337028
29	301000403	1	STARTING CAPACITOR 98MICRONF 3	5-27	4005337680

Connecting box

ALPHA BOOSTER 5

26-05-2011

Part List ID

ALPHAB20

20

Pos	Part no.	Qty	Description		EAN
29	301001056	1	STARTING CAPACITOR 98MF 330V W/O BOLT	3-20, 3-26, 3-30	4005337030
30	301000402	1	RESISTANCE 15KOHM7W		4005337680
31	11060	1	STARTER RELAY 220V AC		4005337110
32	107304015	1	BRACKET FOR CAPACITOR 1PH		4005337170
33	103822214	1	STARTER RELAY HOTWATER RVAH4AH3D	Only 5-45 UL	5701715457
34	101117839	1	TERMINAL PLUG AND TERMINAL PINS		4005337179
35	107318163	1	MOTORCORD W/TYCO PLUG KIT ALPHA 1PH EU	EU	4005337184
29A	103822210	1	START CAPACITOR 60X120 100UF	5-45	5701715457

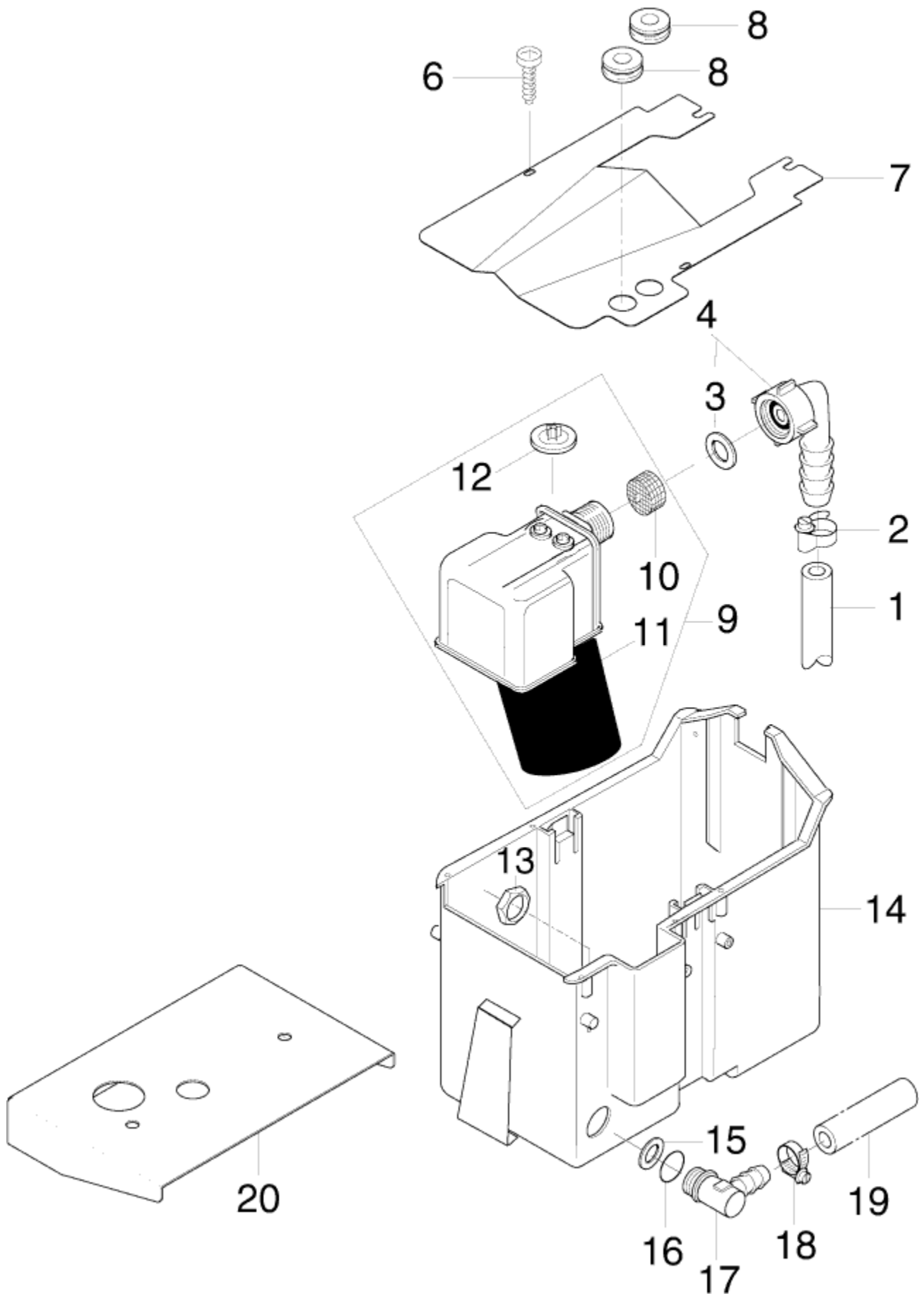
Water tank

ALPHA BOOSTER 5

26-05-2011

Part List ID
ALPHAB22

21



Water tank

ALPHA BOOSTER 5

26-05-2011

Part List ID
ALPHAB22

22

Pos	Part no.	Qty	Description	EAN
1	5206230	1	HOSE 5/8 16 MM 10 BAR DIN 73411	4005337171
2	1810191	4	CLIP 13-27 RUSTPROOF	5701715030
3	15587	1	PACKING RING 14X24X2	4005337155
4	5613	1	HOSE NOZZLE	4005337056
6	16860	2	SCREW 4X12	4005337168
7	107302155	1	COVER	5701715299
8	5172	1	RUBBER BUSH	4005337051
9	63349	1	FLOAT VALVE	4005337633
10	34218	1	FILTER FOR FLOAT VALVE KU	4005337342
11	62877	1	SWIMMER Ø 55X60	4005337628
12	62878	1	MEMBRANE	4005337628
13	101609356	1	NUT 1/2IN	5701715327
14	107305053	1	WATER BREAK TANK	5701715457
15	3449	1	PACKING RING 21X30X2	4005337034
16	3004310	1	O-RING 20.35X1.78 SH90 NITRIL	5701715298
17	3448	1	HOSE LINER W DN13 G KU	4005337034
18	1810191	2	CLIP 13-27 RUSTPROOF	5701715030
19	5206230	1	HOSE 5/8 16 MM 10 BAR DIN 73411	4005337171
20	107305045	1	SHELF FOR WATER TANK	4005337170

Default accessories

ALPHA BOOSTER 5

26-05-2011

Part List ID
ALPHAB24

23

No Drawing For Part List

Default accessories

ALPHA BOOSTER 5

26-05-2011

Part List ID

ALPHAB24

24

Pos	Part no.	Qty	Description		EAN
-	106402281	1	FLEXOPOWER PLUS 990 BEND W/O NOZ.		4005337167
-	106403122	1	ERGO 2000 STANDARD W. HOSE SWIVEL		4005337168
-	106403123	1	ERGO 2000 VARIO PRESS W. HOSE SWIVEL		4005337168
0	101119737	1	NOZZLE 0370 INDICATION RING BRONZE	3-26	5701715324
0	101119738	1	NOZZLE 0400 INDICATION RING METAL GREY	3-30, 3-41	5701715324
0	101119739	1	NOZZLE 0435 INDICATION RING BLUE	5-27	5701715324
0	101119740	1	NOZZLE 0450 INDICATION RING LIGHT BLUE	3-20	5701715324
0	101119741	1	NOZZLE 0500 INDICATION RING YELLOW	5-45, 5-49	5701715324
0	106402121	1	TORNADO 3000 LANCE 920 W/O NOZZLE		5701715324
1	106402152	1	FLEXOPOWER WO NOZZLE 125 MM		5701715396
1	107360903	1	STAINLESS STEEL CABINET AB3		4005337171
1	301002410	1	ERGO 1000		4005337088

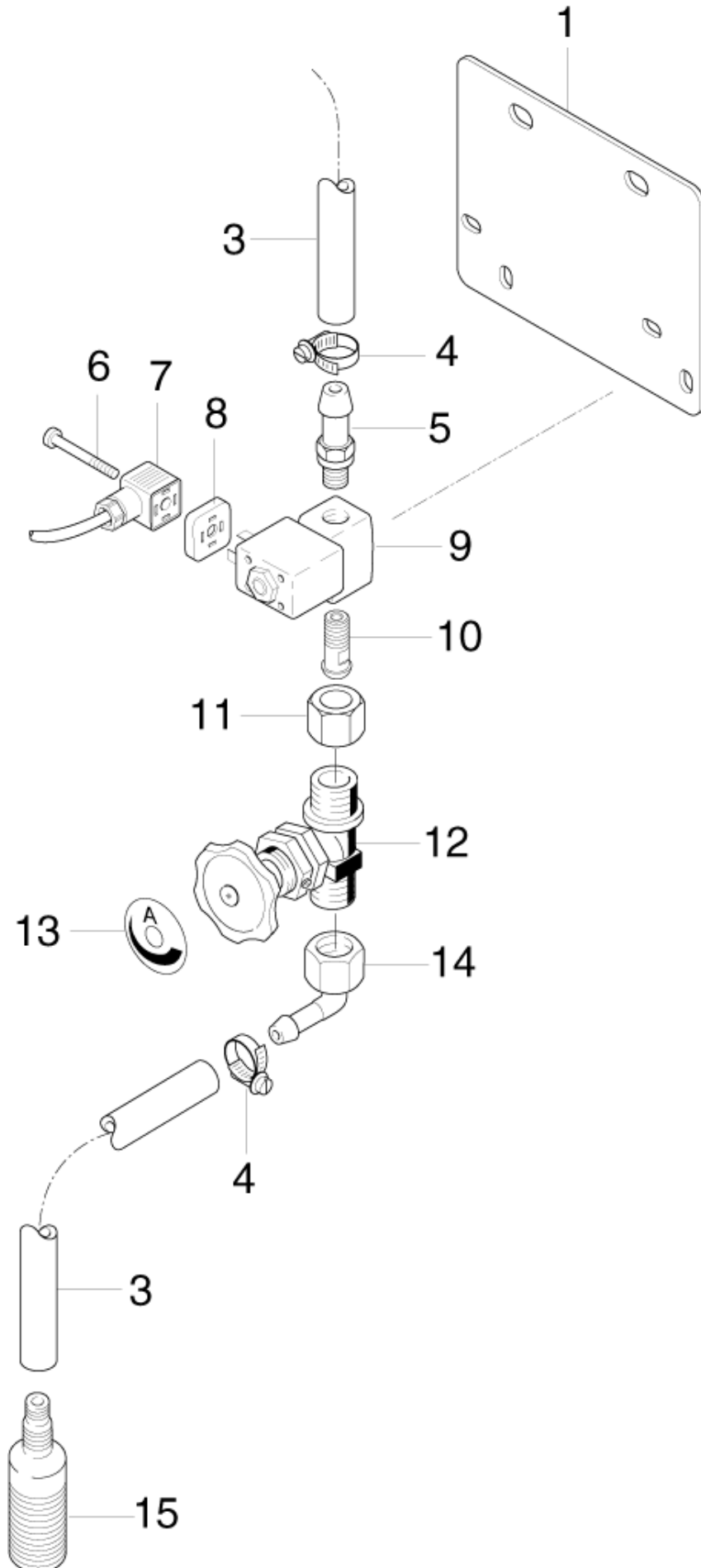
1x Detergent

ALPHA BOOSTER 5

26-05-2011

Part List ID
ALPHAB26

25



1x Detergent

ALPHA BOOSTER 5

26-05-2011

Part List ID
ALPHAB26

26

Pos	Part no.	Qty	Description	EAN
1	107305047	1	SUPPORT	4005337170
3	5206636	2	HOSE 6/10	5701715046
4	11654	3	HOSE CLAMP DIA 11,5	4005337116
5	101609384	1	HOSE NIPPLE 7X1/8	4005337170
6	17768	1	SCREW M3X25	4005337177
7	107306065	1	COUPLER	4005337170
8	17767	1	GASKET SOLENOID VALVE	4005337177
9	53295	1	SOLENOID VALVE	4005337532
10	107302203	1	NIPPLE	4005337170
11	101609400	1	UNION NUT 1/4X10	4005337170
12	103403268	1	NEEDLE VALVE 1/4IN/1/4IN	5701715305
13	12117	1	TAP STICKER	4005337121
14	101609346	1	HOSE SOCKET ELBOW 1/4IN X 6	5701715301
15	17508	1	STRAINER VALVE 6	5701715306

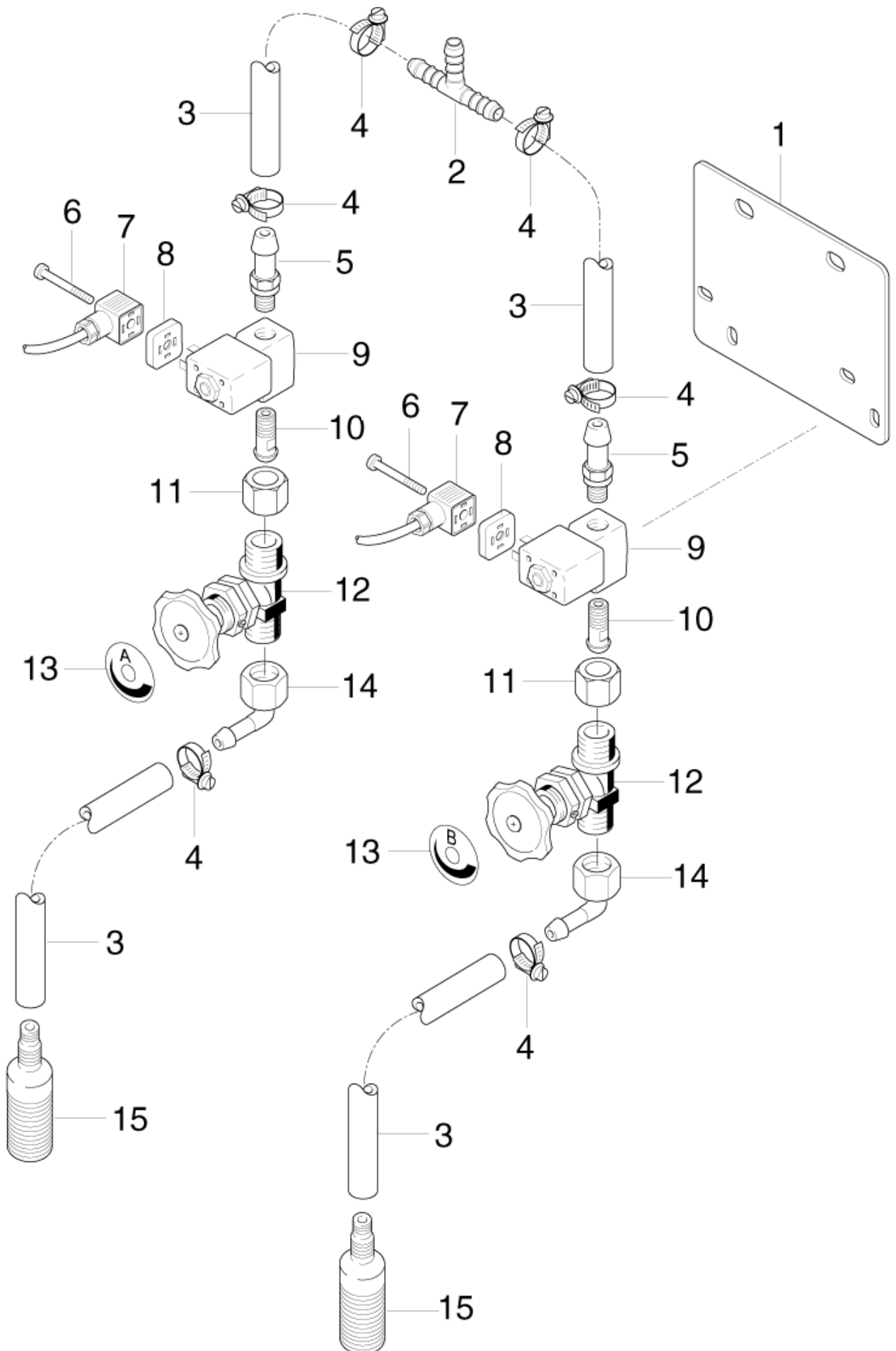
2x Detergent

ALPHA BOOSTER 5

26-05-2011

Part List ID
ALPHAB28

27



2x Detergent

ALPHA BOOSTER 5

26-05-2011

Part List ID
ALPHAB28

28

Pos	Part no.	Qty	Description	EAN
1	107305047	1	SUPPORT	4005337170
2	2399	1	HOSE LINER	4005337023
3	5206636	4	HOSE 6/10	5701715046
4	11654	8	HOSE CLAMP DIA 11,5	4005337116
5	101609384	2	HOSE NIPPLE 7X1/8	4005337170
6	17768	2	SCREW M3X25	4005337177
7	107306065	2	COUPLER	4005337170
8	17767	2	GASKET SOLENOID VALVE	4005337177
9	53295	2	SOLENOID VALVE	4005337532
10	107302203	2	NIPPLE	4005337170
11	101609400	2	UNION NUT 1/4X10	4005337170
12	103403268	2	NEEDLE VALVE 1/4IN/1/4IN	5701715305
13	12116	1	SPARE PART	4005337121
13	12117	1	TAP STICKER	4005337121
14	101609346	2	HOSE SOCKET ELBOW 1/4IN X 6	5701715301
15	17508	2	STRAINER VALVE 6	5701715306

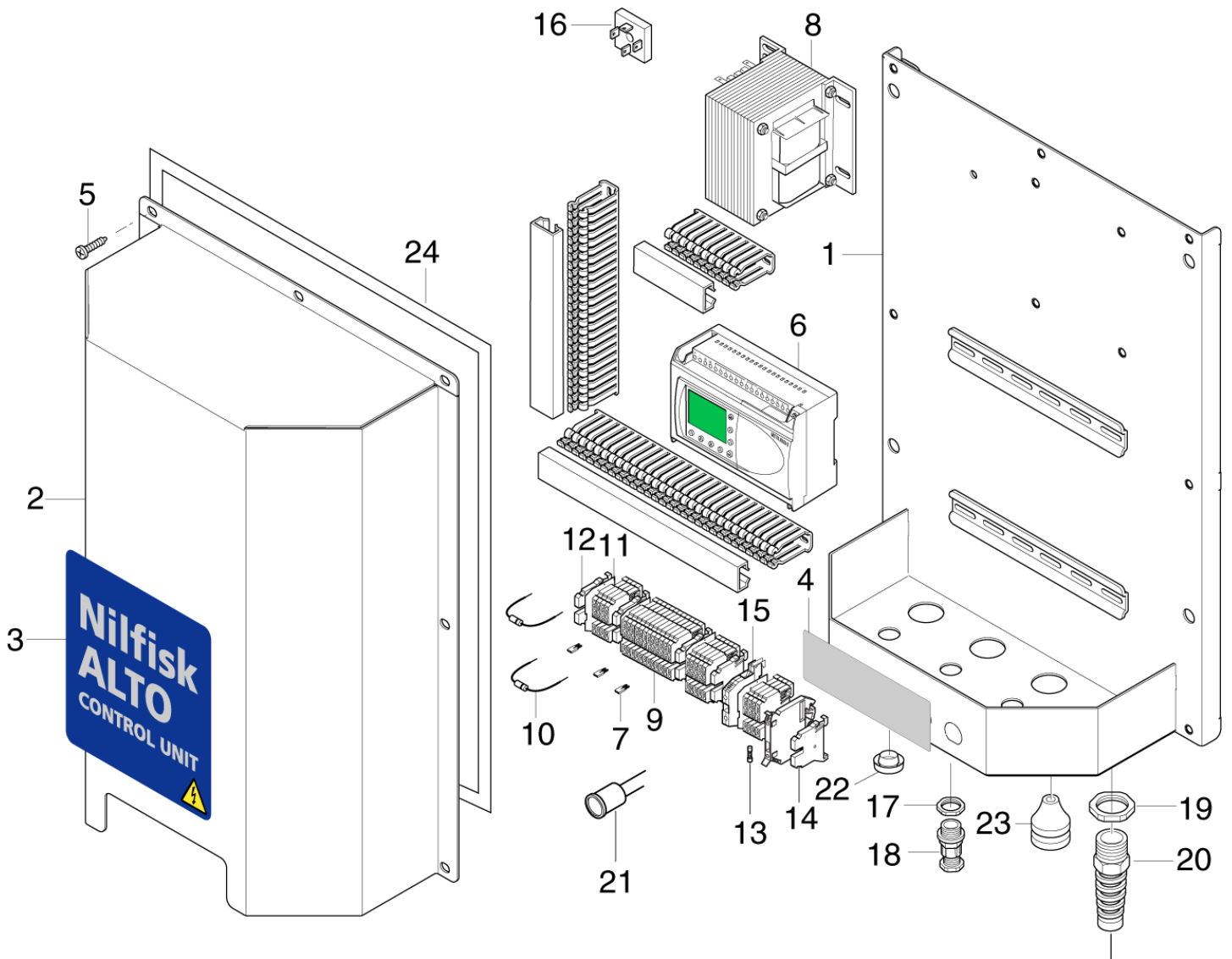
Control system

ALPHA BOOSTER 5

26-05-2011

Part List ID
ALPHAB30

29



Control system

ALPHA BOOSTER 5

26-05-2011

Part List ID
ALPHAB30

30

Pos	Part no.	Qty	Description	EAN
1	107304040	1	CHASSIS FOR CONTROL UNIT	4005337170
2	107304039	1	CABINET FOR CONTROL UNIT	4005337170
3	107309074	1	FRONT LABEL FOR CONTROL UNIT	4005337170
4	107309088	1	LABEL FOR PUSHBUTTON	4005337170
4	107309089	1	COVER LABEL FOR CONTROL UNIT	4005337170
5	101814780	11	SCREW M5X10 TORX	4005337170
6	106426023	1	PLC PROGRAM CONTROL UNIT	4005337170
7	103821969	3	JUMPER	5701715342
8	103822166	1	CONTROL TRANSFORMER 230-400V	4005337170
9	103821920	38	WIRE TERMINAL	5701715326
10	26387	2	DIODE	4005337263
11	103821921	5	END PLATE	5701715326
12	103821920	5	WIRE TERMINAL	5701715326
13	103821729	2	FUSE 5X20 2A T 250V	4005337181
13	3812385	1	FUSE 5X20 6.3A	5701715043
14	4812281	3	FUSE HOLDER	5701715313
15	4812278	1	WIRE TERMINAL EARTH 4Q	5701715313
16	22207	1	RECTIFIER	4005337222
17	103821788	1	CABLE BUSHING	5701715293
18	103821789	2	NUT M12X1.5 PA	5701715293
19	909100043	3	CABLE SCREWING W. ANTIBUC. M20X1.5	4005337679
20	103821778	3	NUT M20X1.5	5701715293
21	29467	1	CAPACITOR 2200 μ F	4005337294
22	103822184	4	PLUG 12X0.8 2MM	5701715422
23	3803772	3	CABLE GROMMET TET 7-10C	5701715007
24	107304044	1	FOLDING GASKET	4005337170

Recommended spare parts

ALPHA BOOSTER 5

26-05-2011

Part List ID

ALPHAB42

31

No Drawing For Part List

Recommended spare parts

ALPHA BOOSTER 5

26-05-2011

Part List ID
ALPHAB42

32

Pos	Part no.	Qty	Description		EAN
A	17508	1	STRAINER VALVE 6	A	5701715306
A	301000263	1	FUSE 0,63A/500AT Ø 6,	A	4005337671
A	301001148	1	KIT PISTON SEALING Ø18	A	4005337033
A	301001150	1	KIT OIL SEALING	A	4005337034
A	301001151	1	KIT SUPPORT RING Ø18	A	4005337034
A	301001153	1	KIT VALVE 6X	A	4005337034
A	301001850	1	REPAIR KIT DISCHARGER VALVE	A	4005337066
A	34218	1	FILTER FOR FLOAT VALVE KU	A	4005337342
A	6100941	1	FILTER L 7CM	A	5701715000
A	64314	1	REPAIR KIT	A	4005337643
B	49924	1	ANTI VIBRATION DAMPER 30X20	B	4005337499
B	6101038	1	PISTON	B	5701715063
B	63349	1	FLOAT VALVE	B	4005337633
C	101118017	1	MOTOR 5.5KW 230/400 3 PHASE	C	4005337183
C	103822167	1	CAPACITOR OPERATION 60UF UL	C	5701715457
C	103822210	1	START CAPACITOR 60X120 100UF	C	5701715457
C	103822253	1	CONTACTOR 100-C16KB10 440V	C	5701715457
C	103822303	1	CONTACTOR CJX2-1810 N7 400V	C	4005337165
C	103822309	1	CONTACTOR CJX2-D25-P7 230V	C	4005337178
C	103822314	1	CONTACTOR CJX2-D32-P7 230V	C	4005337178
C	103822327	1	THERMAL RELAY 12-18AMP	C	5701715472
C	103822328	1	THERMAL RELAY 17-25AMP	C	5701715472
C	103822329	1	THERMAL RELAY 23-32AMP	C	5701715472
C	107142031	1	MOTOR 2.2KW 230/1/50	C	5701715421
C	107142032	1	MOTOR 5.2KW 220/1 PHASE	C	5701715421
C	11060	1	STARTER RELAY 220V AC	C	4005337110
C	301000181	1	ELECTRONIC CONTROL UNIT	C	4005337671
C	301000402	1	RESISTANCE 15KOHM/7W	C	4005337680
C	301000731	1	MICRO SWITCH 250V	C	4005337691
C	301001146	1	PISTON KIT Ø 18MM	C	4005337033
C	5905	1	ROLLER BEARING 6306-2Z-C3	C	4005337059