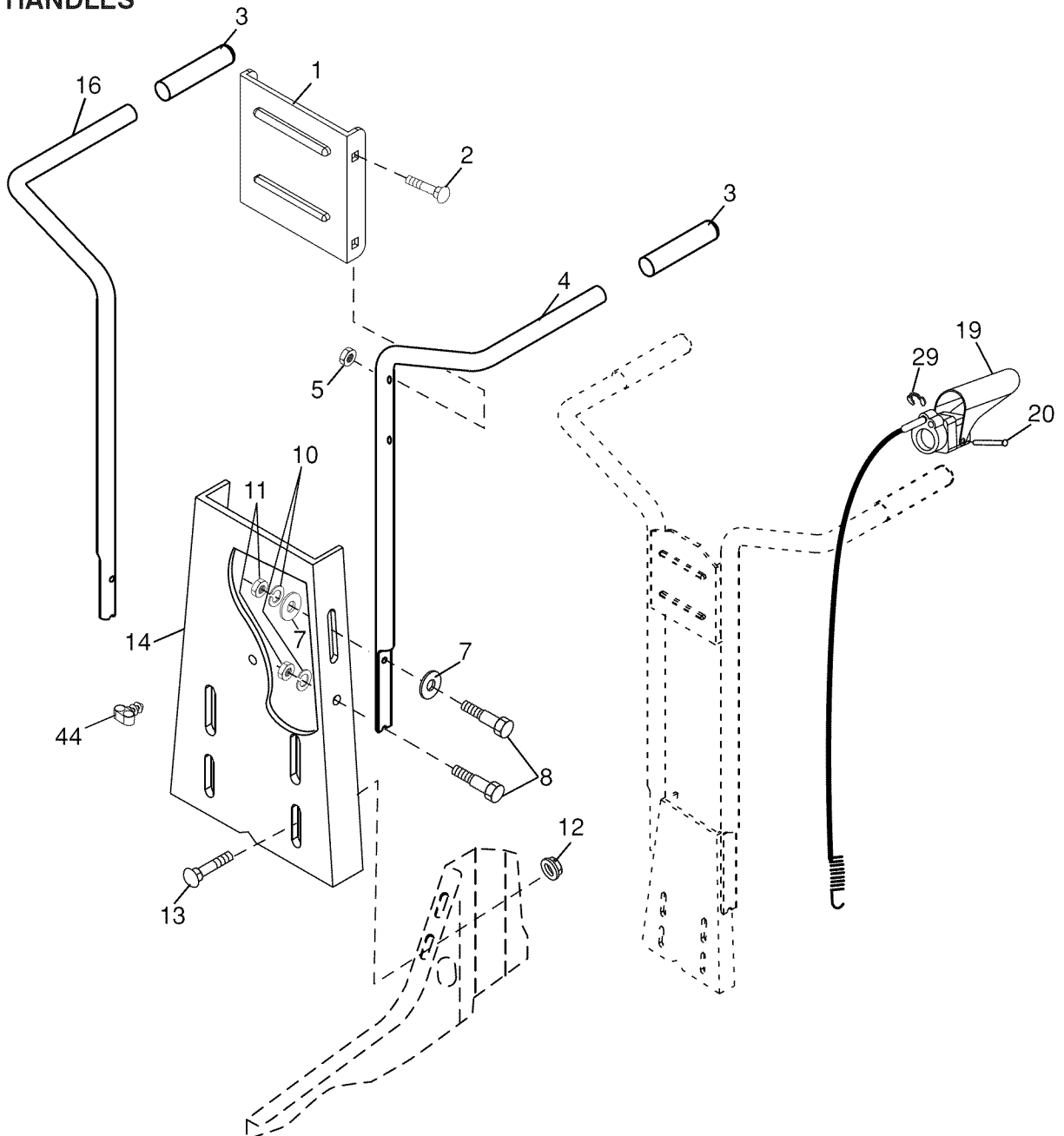


# REPAIR PARTS

## CRAFTSMAN TILLER - - MODEL NUMBER 917.992060

### HANDLES



#### KEY PART NO. NO.

#### DESCRIPTION

1	137176X613	Bracket, Handle
2	72140512	Bolt, Carriage 5/16-18 x 1-1/2
3	165787	Grip, Handle
4	166376X479	Handle, L.H.
5	751153	Nut, Hex, Crownlock 5/16-18
7	19121414	Washer 3/8 x 7/8 x 14 Gauge
8	74760520	Bolt, Hex Head 5/16-18 x 1-1/4
10	10040500	Washer, Lock 5/16
11	73220500	Nut, Hex 5/16-18

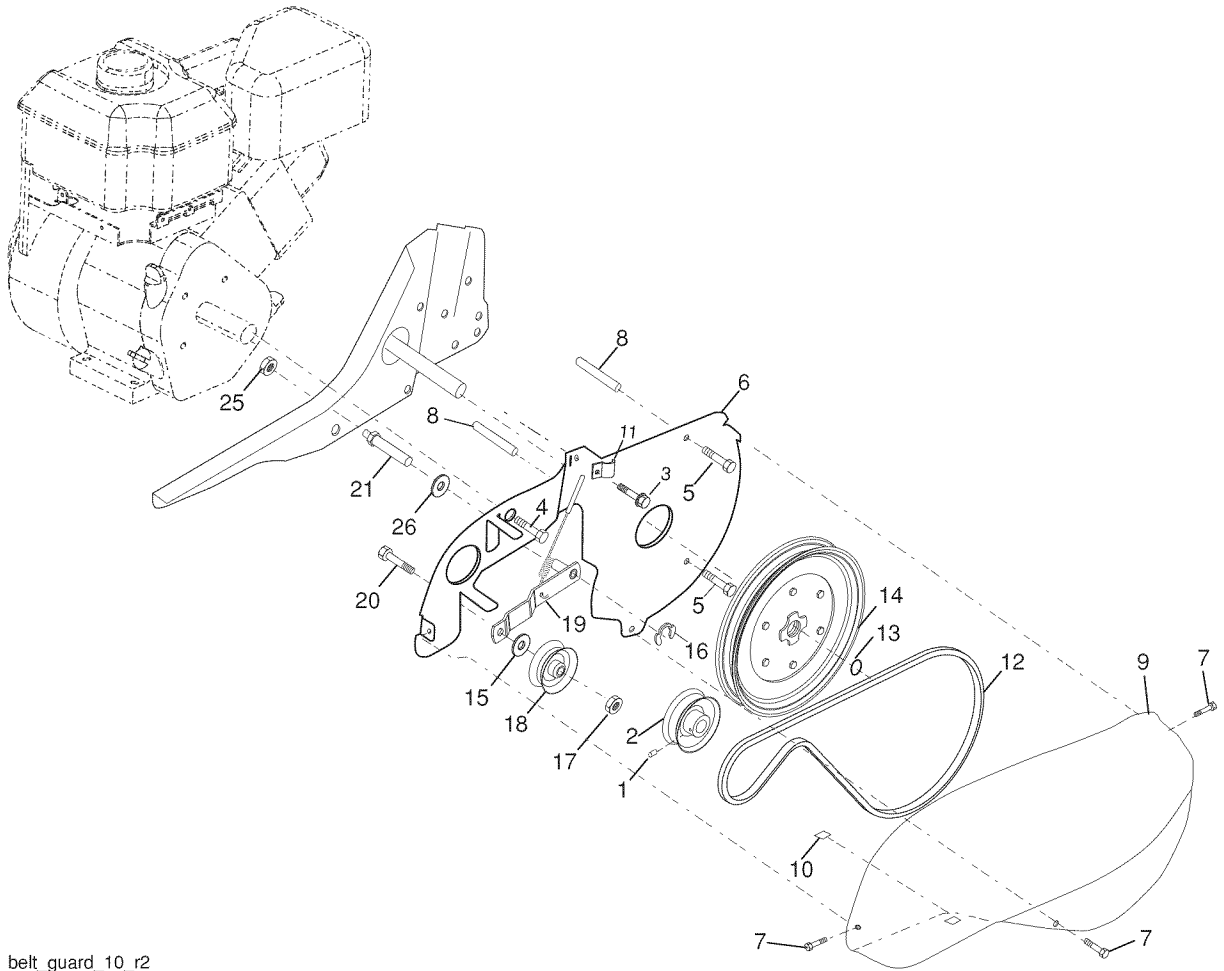
#### KEY PART NO. NO.

#### DESCRIPTION

12	98000129	Nut, Hex, Flanged 5/16-18
13	180847	Bolt, Carriage, Grade 5 5/16-18 x 3/4
14	9209RX613	Panel, Handle
16	166381X479	Handle, R.H.
19	188562	Tine Control Lever Assembly (Includes Cable)
20	188555	Pin, Pivot
29	12000059	Retainer, Ring
44	181580	Dual Routing Clip

**NOTE:** All component dimensions given in U.S. inches. 1 inch = 25.4 mm

**CRAFTSMAN TILLER - - MODEL NUMBER 917.992060**  
**BELT GUARD AND PULLEY ASSEMBLY**



belt\_guard\_10\_r2

**KEY PART  
 NO. NO.**

**DESCRIPTION**

1	23230506	Screw, Set, Patch 5/16-18 x 3/8
2	130812	Sheave, Engine
3	150050	Screw, Tapping, Hex Head
4	74770508	Bolt, Hex Head 1/2-20 x 3/4
5	17490440	Bolt, Threaded, Rolled 1/4-20 x 2-1/2
6	422920X428	Shield, Inner Belt Guard
7	170488	Screw Hex Washer Head #8-18 x 1/2
8	139155	Spacer Split
9	165768X613	Guard, Belt
10	109227X	Pad, Idler
11	9484R	Clip, Cable
12	9180R	V-Belt

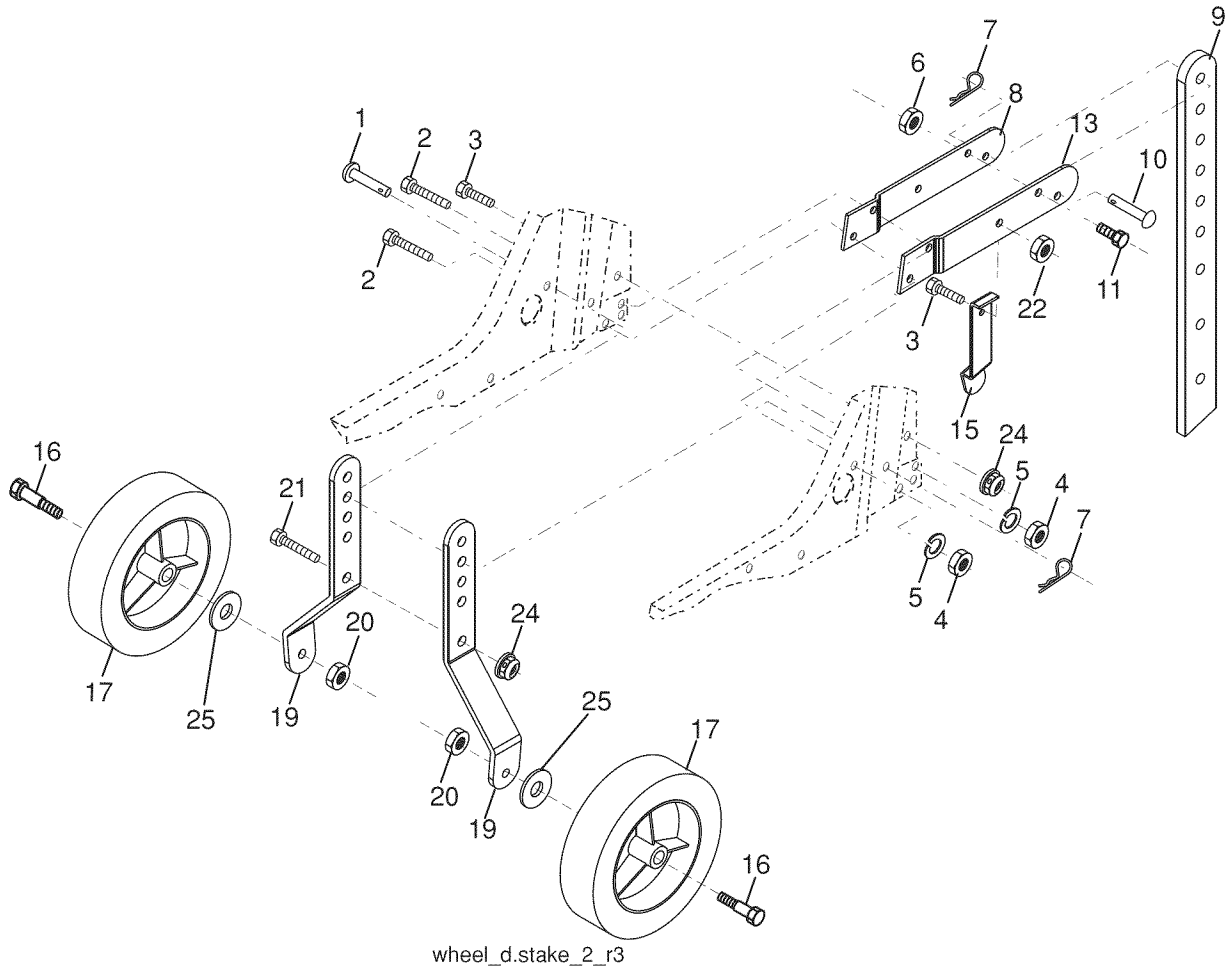
**KEY PART  
 NO. NO.**

**DESCRIPTION**

13	12000028	Ring, Retainer
14	151223	Sheave, Transmisison
15	155415	Washer
16	12000036	Ring, Klip
17	751153	Nut, Hex, Jam 3/8-16
18	180522	Pulley, Idler
19	580530002	Arm, Idler
20	74780524	Bolt, Hex Head 3/8-16 x 1-1/4
21	106968X	Shaft, Idler Arm
25	73350500	Nut, Hex, Jam 5/16-18
26	67725	Washer

**NOTE:** All component dimensions given in U.S. inches. 1 inch = 25.4 mm

**CRAFTSMAN TILLER - - MODEL NUMBER 917.992060**  
**WHEEL AND DEPTH STAKE ASSEMBLY**



**KEY PART  
 NO. NO.**

**DESCRIPTION**

1	9194R	Pin, Clevis
2	74760520	Bolt, Hex Head 5/16-18 x 1-1/4
3	74780512	Bolt, Hex Head 5/16-18 x 3/4
4	73220500	Nut, Hex
5	10040500	Washer, Lock 5/16
6	73800600	Nut, Lock, with Washer Insert 3/8-16
7	4921H	Clip, Hairpin
8	1952JX479	Support, Depth Stake, R.H.
9	122233X479	Stake, Depth
10	4929H	Pin, Clevis
11	74780628	Bolt, Hex Head 3/8-16 x 1-3/4

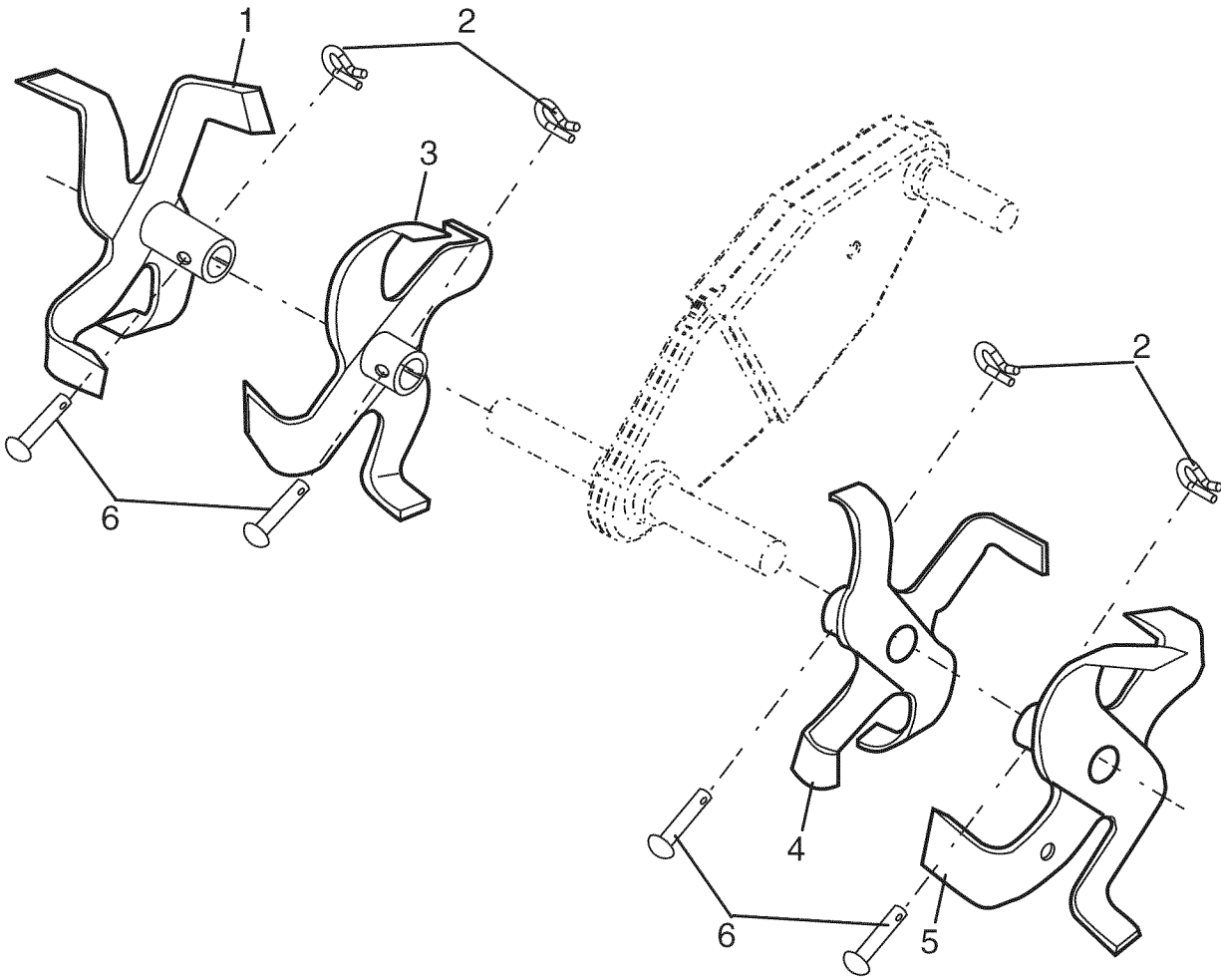
**KEY PART  
 NO. NO.**

**DESCRIPTION**

13	1951JX479	Support, Depth Stake, L.H.
15	5388JX004	Spring, Stake
16	121117X	Bolt, Shoulder
17	193851X427	Wheel
19	9190RX479	Bracket, Wheel
20	73680600	Nut, Crownlock 3/8-16
21	74760516	Bolt, Hex Head 5/16-18 x 1
22	73800500	Nut, Lock, with Washer Insert 5/16-18
24	73970500	Nut, Lock 5/16-18
25	19171416	Washer 17/32 x 7/8 x 16 Gauge

**NOTE:** All component dimensions given in U.S. inches. 1 inch = 25.4 mm

**CRAFTSMAN TILLER - - MODEL NUMBER 917.992060**  
**TINE ASSEMBLY**

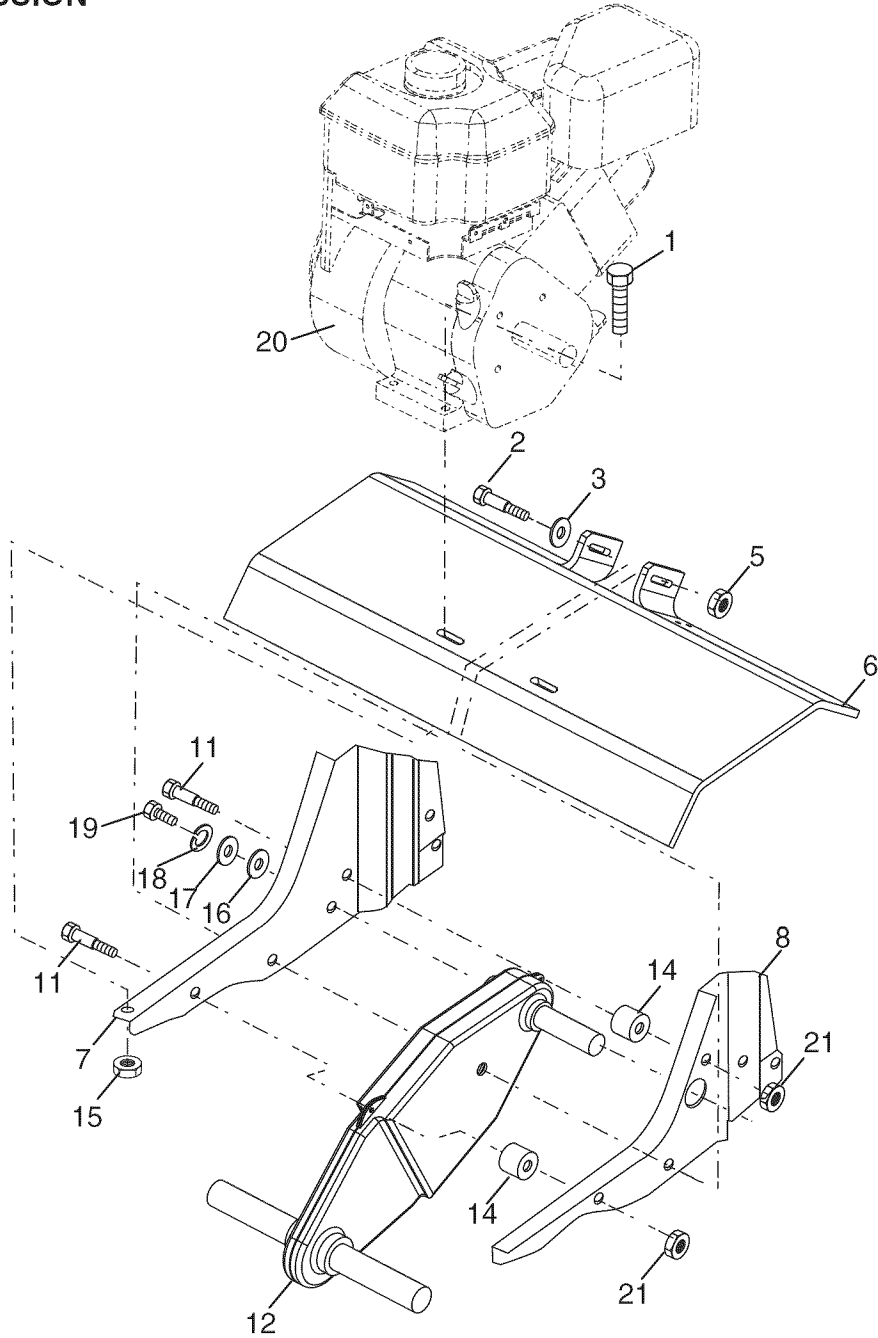


tine\_ipb\_3

KEY PART NO.	NO.	DESCRIPTION
1	584971702	Tine, Outer, R.H.
2	3146R	Retainer, Spring, Zinc Plated
3	584971502	Tine, Inner, R.H.
4	584971402	Tine, Inner, L.H.
5	584971602	Tine, Outer, L.H.
6	4929H	Pin, Clevis

**NOTE:** All component dimensions given in U.S. inches. 1 inch = 25.4 mm

**CRAFTSMAN TILLER - - MODEL NUMBER 917.992060**  
**TRANSMISSION**



**KEY PART  
 NO. NO.**

KEY PART NO.	NO.	DESCRIPTION
1	74760524	Bolt, Hex Head, Grade 2 5/16-18 x 1-1/2
2	74780652	Bolt, Hex Head 3/8-16 x 3-1/4
3	19131311	Washer 13/32 x 13/16 x 11 Gauge
5	73900600	Nut, Lock, with Washer Insert 3/8-16
6	9056RX613	Shield, Tine
7	188195X479	Bracket, Engine, R.H.
8	165834X479	Bracket, Engine, L.H.
11	187912	Bolt, Shoulder 5/16-18 UNC x 2.5
12	151222	Transmission
14	446548	Spacer, Split

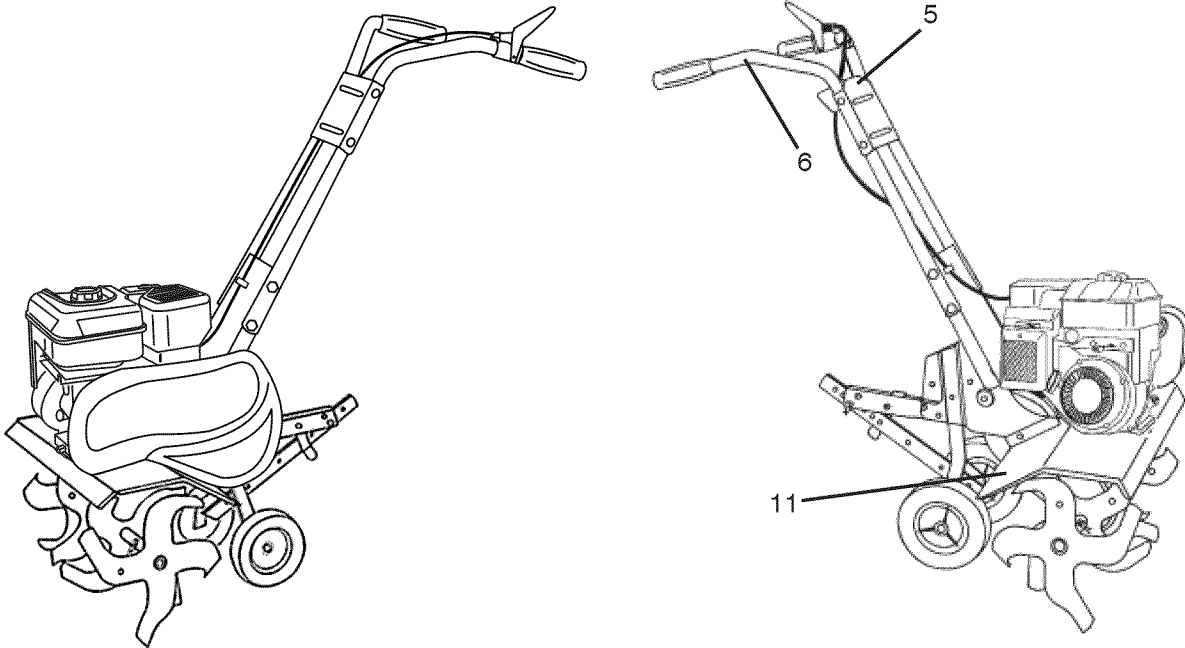
**KEY PART  
 NO. NO.**

KEY PART NO.	NO.	DESCRIPTION
15	73970500	Nut, Lock, Hex, Flanged 5/16-18 UNC
16	19091412	Washer 9/32 x 7/8 x 12 Gauge
17	19092016	Washer 9/32 x 1-1/4 x 16 Gauge
18	10040400	Washer, Lock 1/4
19	74610412	Bolt, Hex Head, Grade 5 1/4-28 x 3/4
20	---	Engine, Briggs & Stratton, Model Number 130G32- 0056-F1 (See Breakdown)
21	751153	Nut, Hex 5/16-18

**NOTE:** All component dimensions given in U.S. inches. 1 inch = 25.4 mm

# CRAFTSMAN TILLER - - MODEL NUMBER 917.992060

## DECALS



KEY PART NO.	NO.	DESCRIPTION
5	158700	Decal, Control Panel Instruction
6	159877	Decal, Hand Placement
11	176557	Decal, Warning, Rotating Tines
--	586687596	Manual, Owner's, English / Spanish
--	586687540	Manual, Operator's, Baltic

**CRAFTSMAN TILLER - - MODEL NUMBER 917.992060**  
**ENGINE, BRIGGS & STRATTON -- MODEL NUMBER 130G32, TYPE NO. 0056-F1**

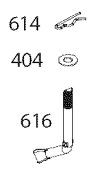
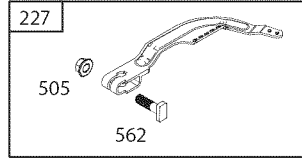
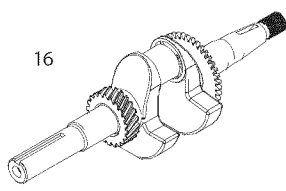
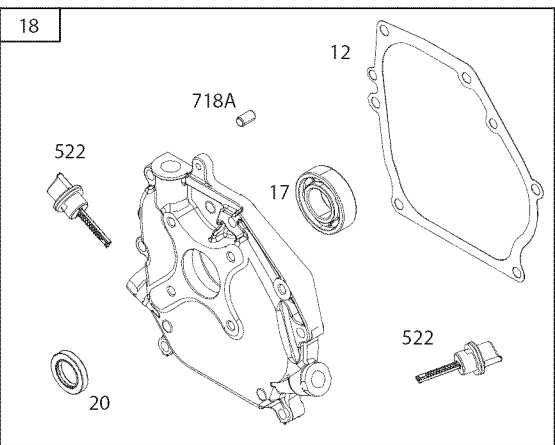
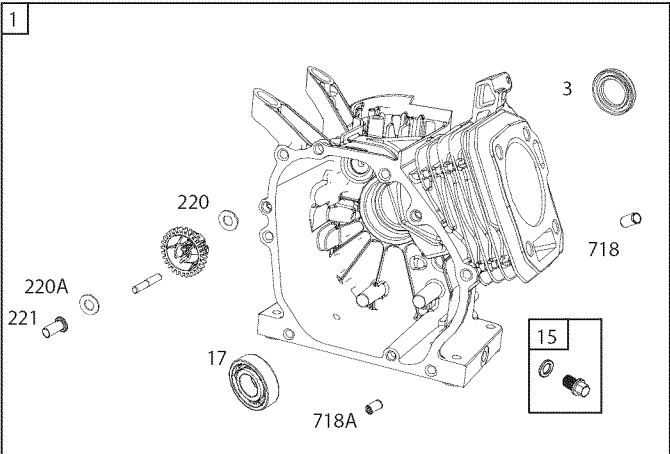
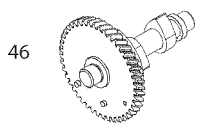
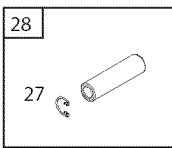
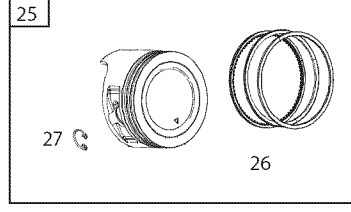
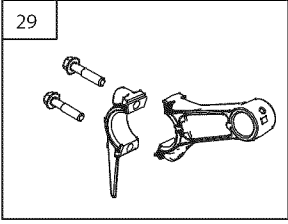
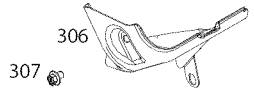
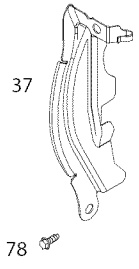
48

1036

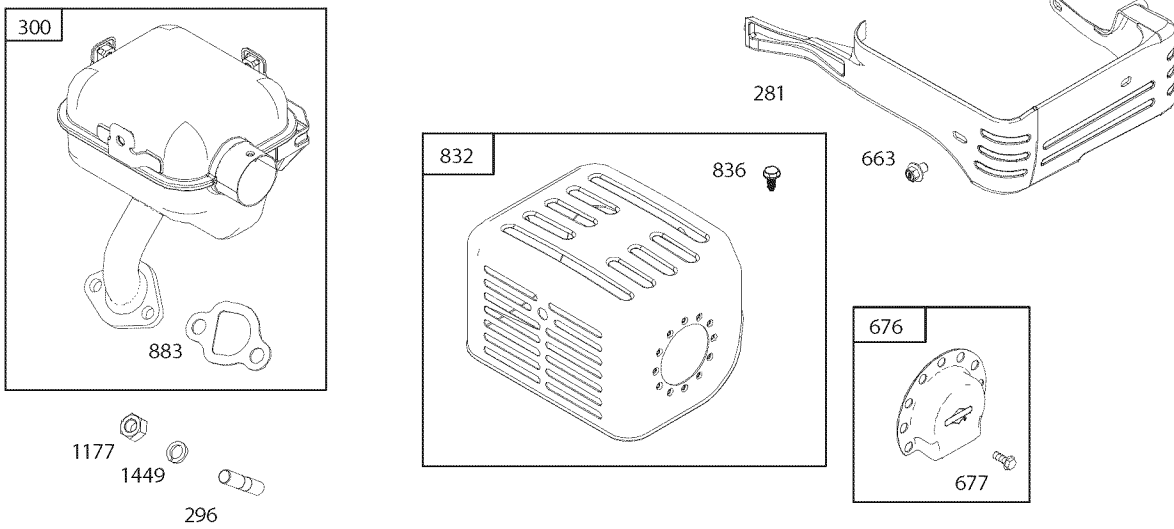
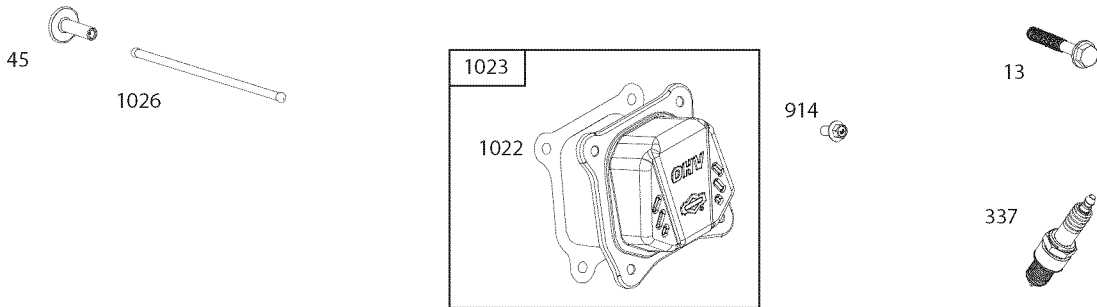
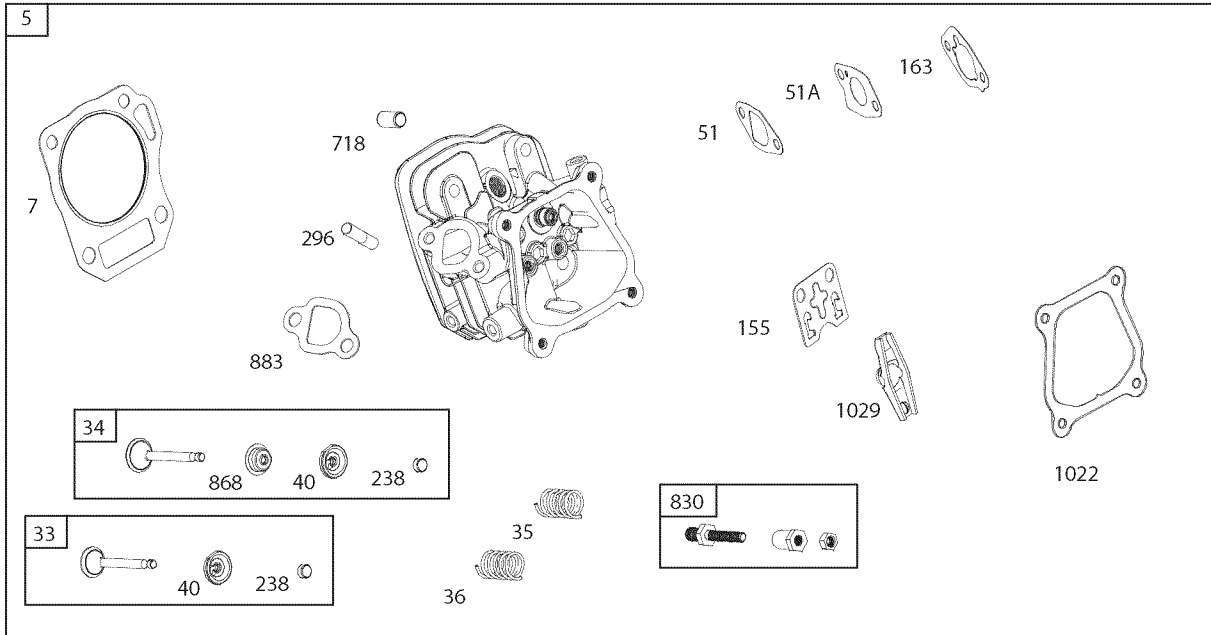
1058

1329

1330

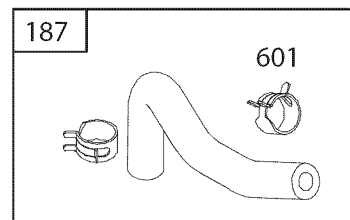
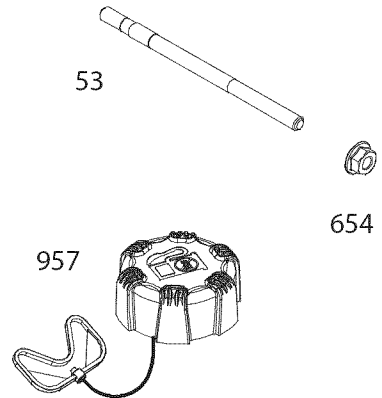
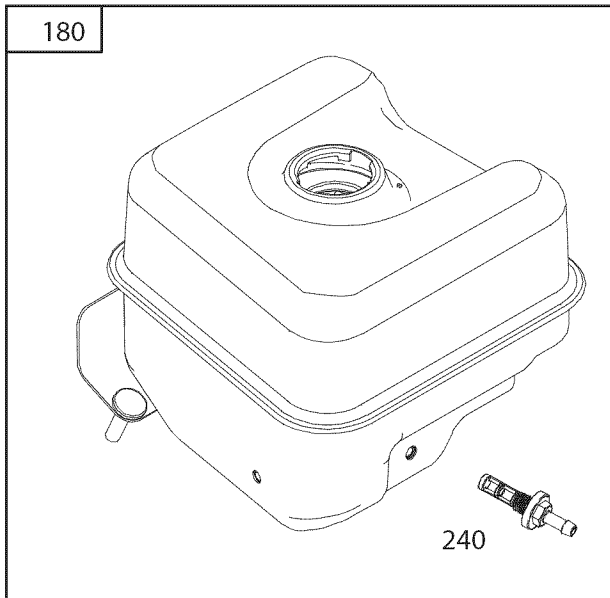
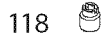
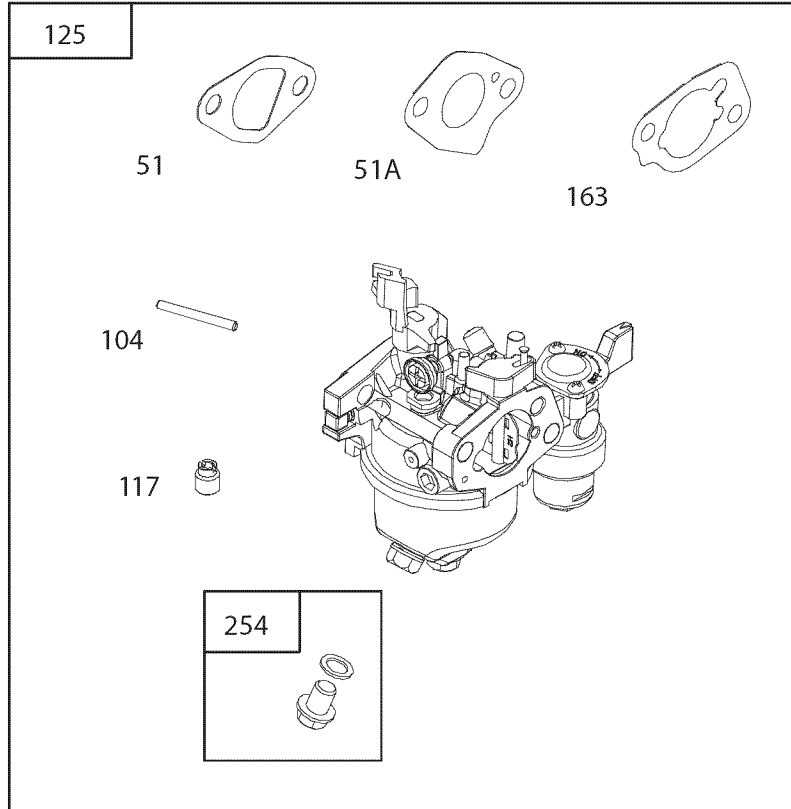
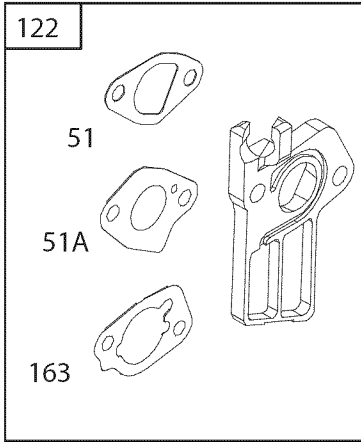


**CRAFTSMAN TILLER - - MODEL NUMBER 917.992060**  
**ENGINE, BRIGGS & STRATTON -- MODEL NUMBER 130G32, TYPE NO. 0056-F1**

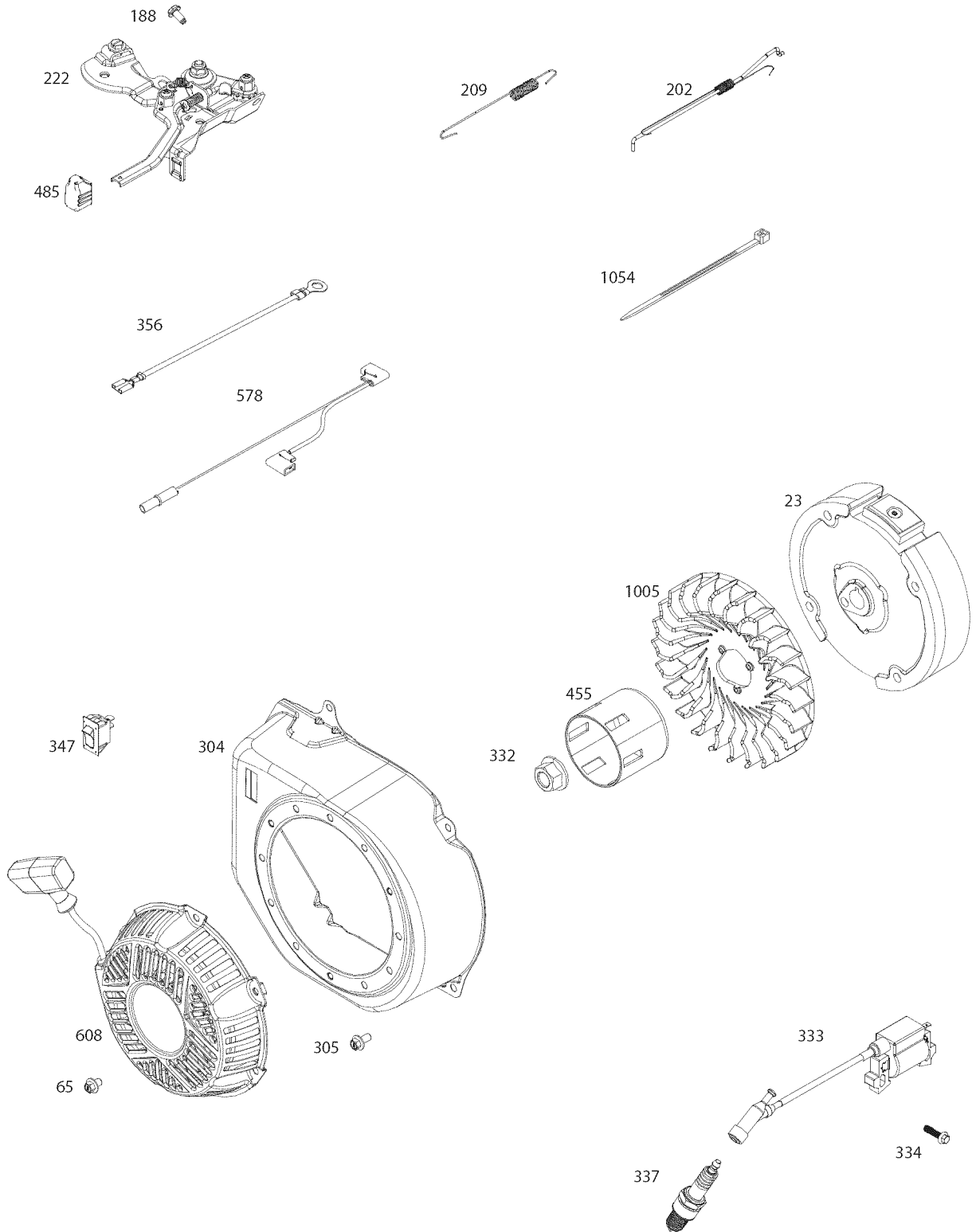




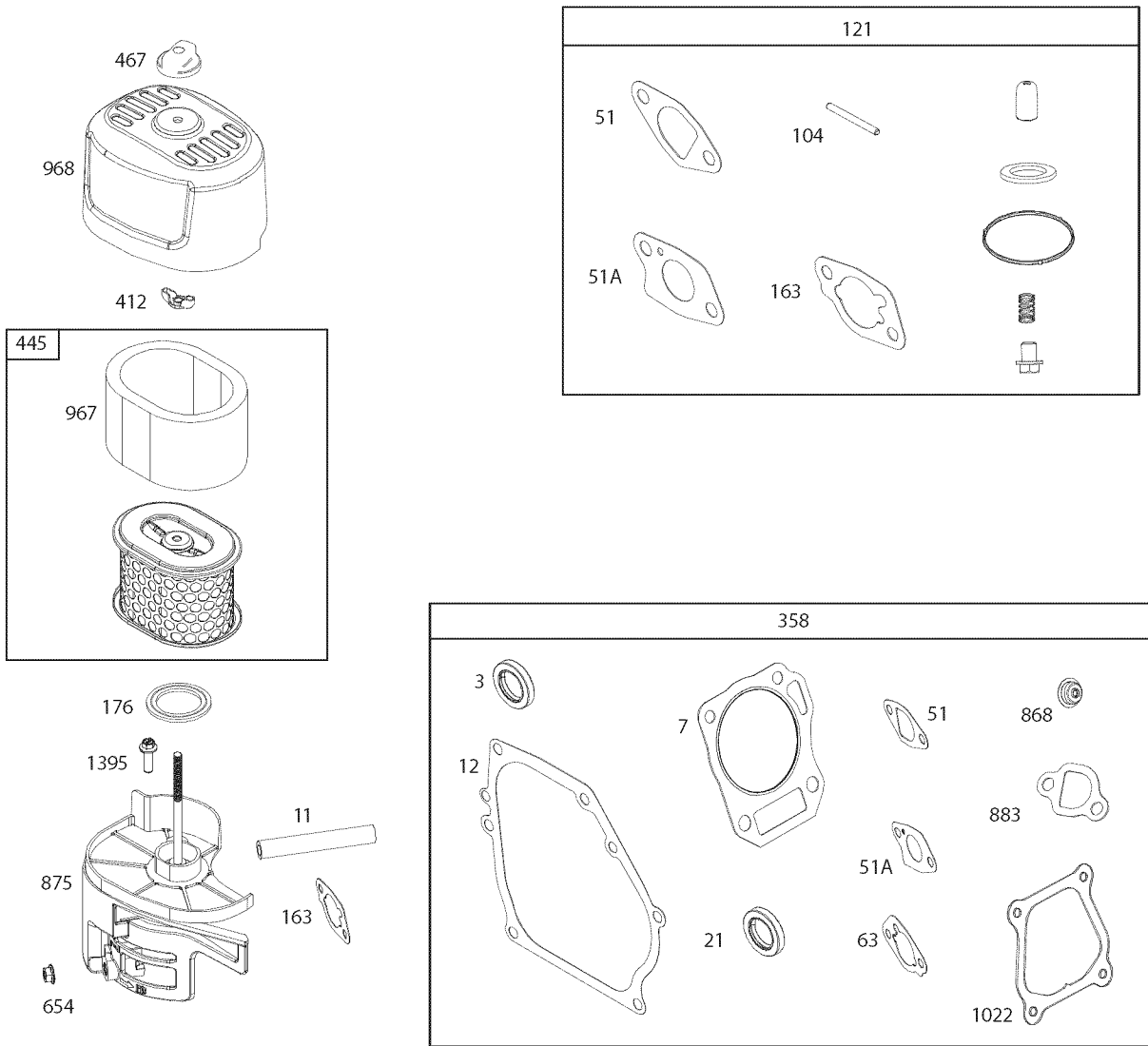
**CRAFTSMAN TILLER - - MODEL NUMBER 917.992060**  
**ENGINE, BRIGGS & STRATTON -- MODEL NUMBER 130G32, TYPE NO. 0056-F1**



**CRAFTSMAN TILLER - - MODEL NUMBER 917.992060**  
**ENGINE, BRIGGS & STRATTON -- MODEL NUMBER 130G32, TYPE NO. 0056-F1**



**CRAFTSMAN TILLER - - MODEL NUMBER 917.992060**  
**ENGINE, BRIGGS & STRATTON -- MODEL NUMBER 130G32, TYPE NO. 0056-F1**



KEY NO.	PART NO.	DESCRIPTION	KEY NO.	PART NO.	DESCRIPTION
1	592916	Cylinder Assembly	25	592956	Piston Assembly (Standard Size)
3	590712	Seal-Oil (Magneto Side)	26	592957	Ring Set (Standard)
5	591454	Head-Cylinder		592958	Ring Set (.020" Oversize)
7	591445	Gasket-Cylinder Head	27	590664	Lock-Piston Pin
11	590698	Tube-Breather	28	590663	Pin-Piston
12	590608	Gasket-Crankcase	29	590665	Rod-Connecting
13	590639	Screw (Cylinder Head)	33	591448	Valve-Exhaust
15	590678	Plug-Oil Drain	34	591447	Valve-Intake
16	591520	Crankshaft	35	590650	Spring-Valve (Intake)
17	590715	Bearing-Ball	36	590650	Spring-Valve (Exhaust)
18	592296	Cover-Crankcase	37	592865	Guard-Flywheel
20	590712	Seal-Oil (PTO Side)	40	590654	Retainer-Valve
22	590714	Screw (Crankcase Cover/Sump)	45	591449	Tappet-Valve
23	590681	Flywheel	46	591450	Camshaft
25	592955	Piston Assembly (Standard Size)	48	N/A	Short Block (Not Available At This Printing)

**CRAFTSMAN TILLER - - MODEL NUMBER 917.992060**  
**ENGINE, BRIGGS & STRATTON -- MODEL NUMBER 130G32, TYPE NO. 0056-F1**

KEY NO.	PART NO.	DESCRIPTION	KEY NO.	PART NO.	DESCRIPTION
51	590612	Gasket-Intake	455	590682	Cup-Flywheel
51A	590613	Gasket-Intake	467	691985	Knob-Air Cleaner
53	590691	Stud (Carburetor)	485	797339	Knob-Control
65	590659	Screw (Rewind Starter)	505	590641	Nut (Gov. Control Lever)
78	590643	Screw (Flywheel Guard)	522	590716	Plug-Dipstick/Fill
104	592486	Pin-Float Hinge	562	590640	Bolt
117	592875	Jet-Main (Standard)			(Governor Control Lever)
118	593359	Jet-Main (High Altitude)	578	590689	Wire Assembly
		(5000/9000 Feet)	601	791850	Clamp-Hose (Green)
121	591770	Kit-Carburetor Overhaul	608	593368	Starter-Rewind
122	590615	Spacer-Carburetor	614	590670	Pin-Cotter
125	592864	Carburetor	616	590668	Crank-Governor
155	592874	Plate-Cylinder Head	654	590692	Nut (Carburetor)
163	590605	Gasket-Air Cleaner	663	590850	Screw (Control Panel)
176	590695	Seal-O Ring	676	798467	Deflector-Muffler
		(Air Cleaner Base)	677	699203	Screw (Muffler Deflector)
180	592954	Tank-Fuel			M4 x 10mm
187	592867	Line-Fuel (Formed)	705	592620	Nut (Fuel Tank)
188	590850	Screw (Control Bracket)	718	590637	Pin-Locating (10 x 16mm)
190	591476	Screw (Fuel Tank)	718A	590713	Pin-Locating (8 x 14mm)
202	592866	Link-Mechanical Governor	830	590653	Stud-Rocker Arm
209	590624	Spring-Governor (White)	832	592918	Guard-Muffler
220	590675	Washer (Governor Gear)	836	590683	Screw (Muffler Guard)
		(O.D./I.D. = 13/6.5)	868	590648	Seal-Valve
220A	590677	Washer (Governor Gear)	875	590693	Base-Air Cleaner
		(O.D./I.D. = 15/6)	883	591156	Gasket-Exhaust
221	590676	Cup-Governor	914	590850	Screw (Rocker Cover)
222	592413	Bracket-Control	951	590614	Lever-Choke
227	590660	Lever-Governor Control	957	799324	Cap-Fuel
238	590649	Cap-Valve	967	590602	Filter-Pre Cleaner
240	797346	Filter-Fuel	968	590694	Cover-Air Cleaner
254	592493	Drain-Carburetor Bowl	1005	590679	Fan-Flywheel
281	592863	Panel-Control	1022	797194	Gasket-Rocker Cover
296	590631	Stud (Muffler)	1023	592903	Cover-Rocker
300	592861	Muffler	1026	590658	Rod-Push
304	590724	Housing-Blower	1029	590651	Arm-Rocker
305	590850	Screw (Blower Housing)	1036	- - -	Label-Emissions (Available
306	590636	Shield-Cylinder			from any Briggs & Stratton
307	590683	Screw (Cylinder Shield)			Authorized Dealer)
332	590635	Nut (Flywheel)	1054	280275	Tie-Cable
333	590603	Armature-Magneto	1058	N/A	Operator's Manual (Not
334	590644	Screw (Magneto Armature)			Available At This Printing)
337	491055s	Plug-Spark	1177	590632	Nut (Muffler)
347	795333	Switch-Rocker	1329	N/A	Replacement Engine (Not
356	695630	Wire-Stop			Available At This Printing)
358	591565	Gasket Set-Engine	1330	N/A	Repair Manual (Not
404	590669	Washer (Governor Crank)			Available At This Printing)
412	590697	Nut-Wing	1395	590643	Screw (Air Cleaner Base
		(Air Cleaner Cover)			to Carburetor)
445	590601	Filter-Air Cleaner Cartridge	1449	590633	Washer (Muffler)